



US00D656683S

(12) **United States Design Patent**
Capasso

(10) **Patent No.:** **US D656,683 S**
(45) **Date of Patent:** **** Mar. 27, 2012**

- (54) **FACE GUARD FOR RIFLE SCOPE**
- (76) Inventor: **Martin J. Capasso**, Milford, DE (US)
- (**) Term: **14 Years**
- (21) Appl. No.: **29/360,329**
- (22) Filed: **Apr. 23, 2010**
- (51) **LOC (9) Cl.** **29-02**
- (52) **U.S. Cl.** **D29/109**
- (58) **Field of Classification Search** D29/100,
D29/101.1, 102-109, 122; D2/865, 866,
D2/867, 875, 876, 877, 881, 882, 884, 891,
D2/892, 893, 894, 895; D24/189, 190, 191;
D28/10, 39, 41; D30/144, 152; 2/455, 456,
2/410, 411, 412, 413, 414, 416-425, 9, 209.13,
2/906, 7, 8.1, 8.2, 171, 3, 427, 206, 10, 457;
62/3.5, 259.3; 128/201.15, 201.24, 857,
128/858; 602/144, 152
See application file for complete search history.

4,850,376	A *	7/1989	DellaVecchia et al.	128/858
4,862,902	A *	9/1989	Goffman	128/858
5,023,954	A	6/1991	Lyons	
5,425,380	A *	6/1995	Hudson et al.	128/858
D363,779	S *	10/1995	Auburn, Jr.	D24/189
D385,357	S *	10/1997	Alworth	D24/189
D402,091	S *	12/1998	Bratcher	D2/894
5,862,529	A	1/1999	Moodie et al.	
5,867,834	A	2/1999	Simpson	
D435,699	S *	12/2000	Mowry	D29/102
6,200,585	B1 *	3/2001	Voelz	424/411
6,266,826	B1 *	7/2001	Alfano	2/411
6,438,761	B1 *	8/2002	McGarrity	2/410
6,826,784	B2 *	12/2004	Patire	2/433
7,000,252	B1	2/2006	Tobin	
D636,124	S *	4/2011	Smith-Wehr	D28/41
D639,441	S *	6/2011	Sferle	D24/189
2005/0047117	A1	3/2005	Scholl et al.	

* cited by examiner

Primary Examiner — Elizabeth J Oswecki
(74) *Attorney, Agent, or Firm* — Montgomery Patent & Design, LLC; Robert C. Montgomery; Joseph T. Yaksich

(56) **References Cited**

U.S. PATENT DOCUMENTS

869,741	A	10/1907	Seitzman	
1,161,321	A *	11/1915	Lush	604/308
1,506,664	A *	8/1924	Pickard	2/12
D110,123	S *	6/1938	Pace et al.	D29/109
2,162,608	A	6/1939	Davis	
D126,474	S *	4/1941	Higersberger	D16/301
2,389,223	A *	11/1945	Werner	2/15
2,643,382	A *	6/1953	McLeod	2/15
4,240,718	A	12/1980	Wichers	
D264,016	S *	4/1982	Fournier	D2/866
D272,865	S *	3/1984	Edelmann	D2/866
D274,918	S *	7/1984	Trice et al.	D19/59
D284,710	S *	7/1986	Hatchman	D29/109
D293,840	S *	1/1988	Parrish	D29/108

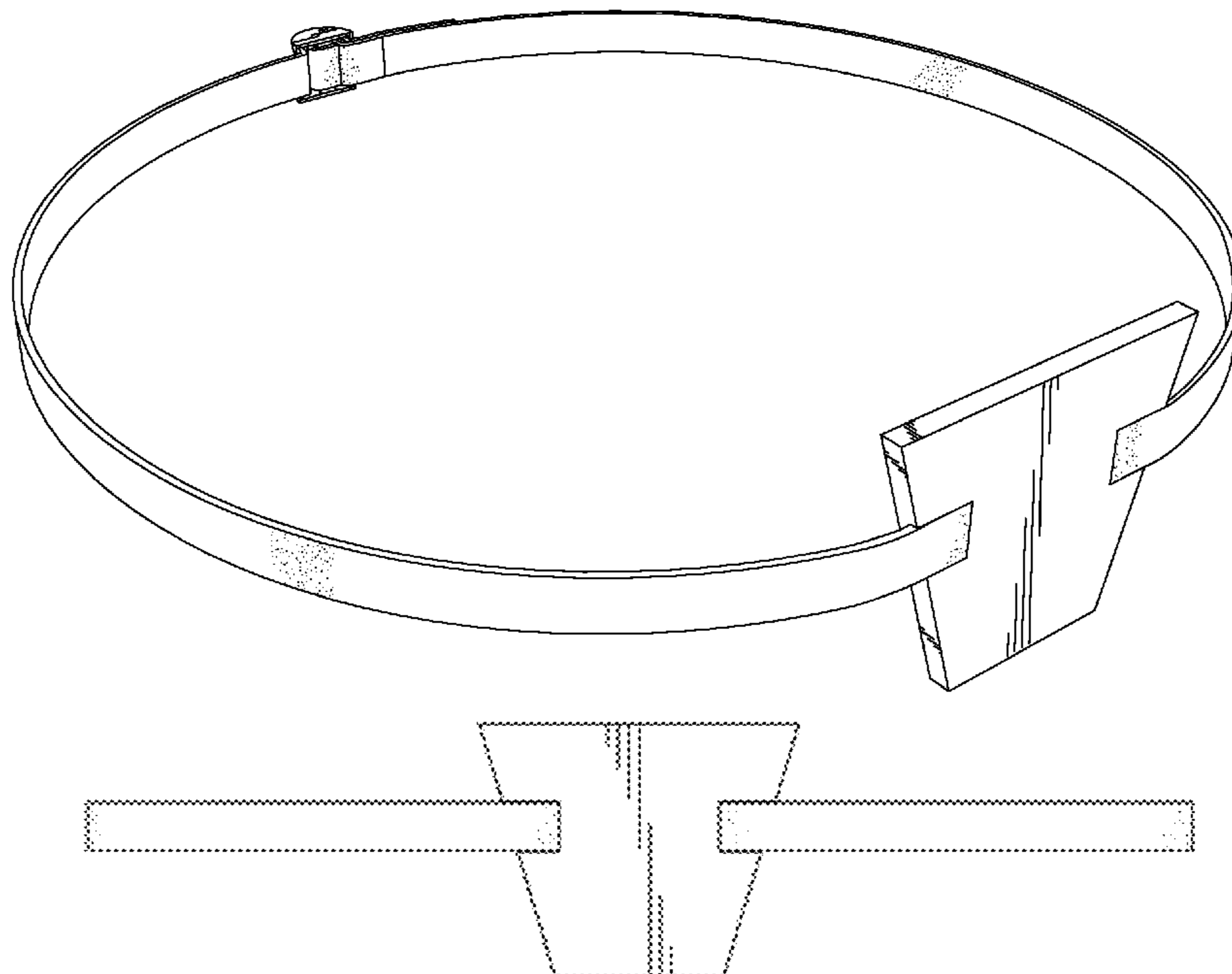
(57) **CLAIM**

The ornamental design for a face guard for rifle scope, as shown and described.

DESCRIPTION

FIG. 1 is a perspective view of a face guard for rifle scope, showing my new design;
FIG. 2 is a front view thereof;
FIG. 3 is a rear view thereof;
FIG. 4 is a left side view thereof;
FIG. 5 is a right side view thereof;
FIG. 6 is a top view thereof; and,
FIG. 7 is a bottom view thereof.

1 Claim, 5 Drawing Sheets



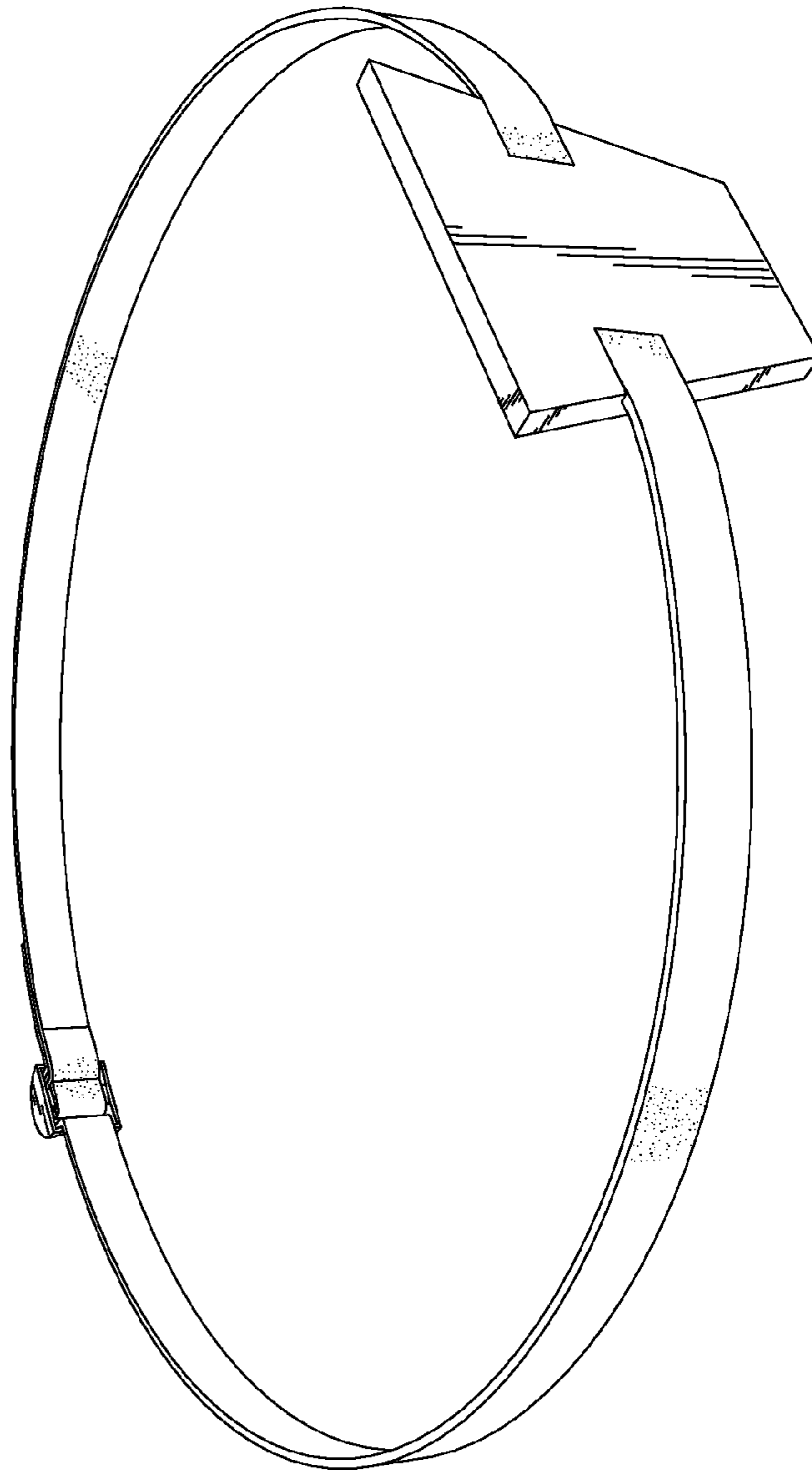


Fig. 1

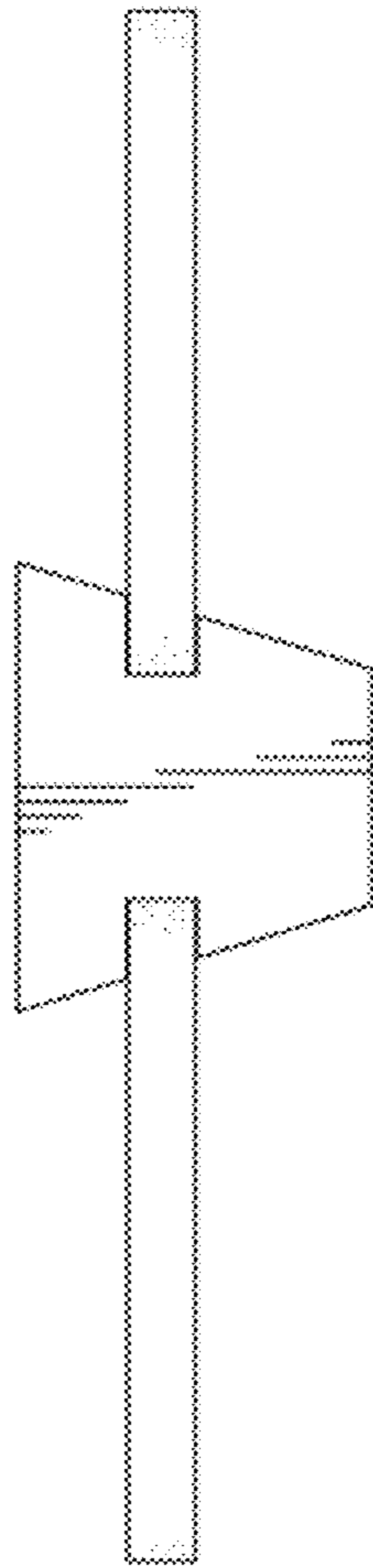


Fig. 2

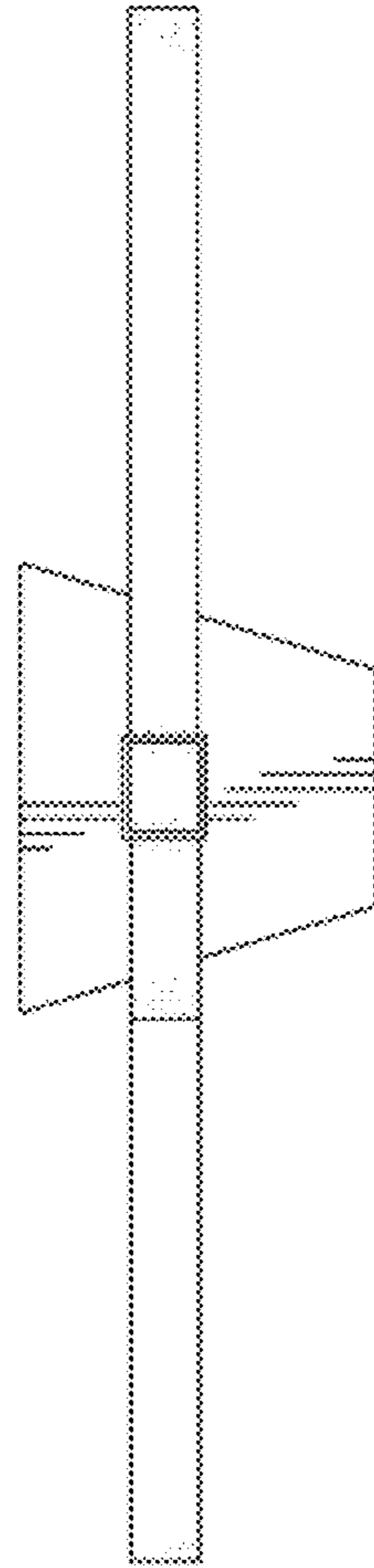


Fig. 3

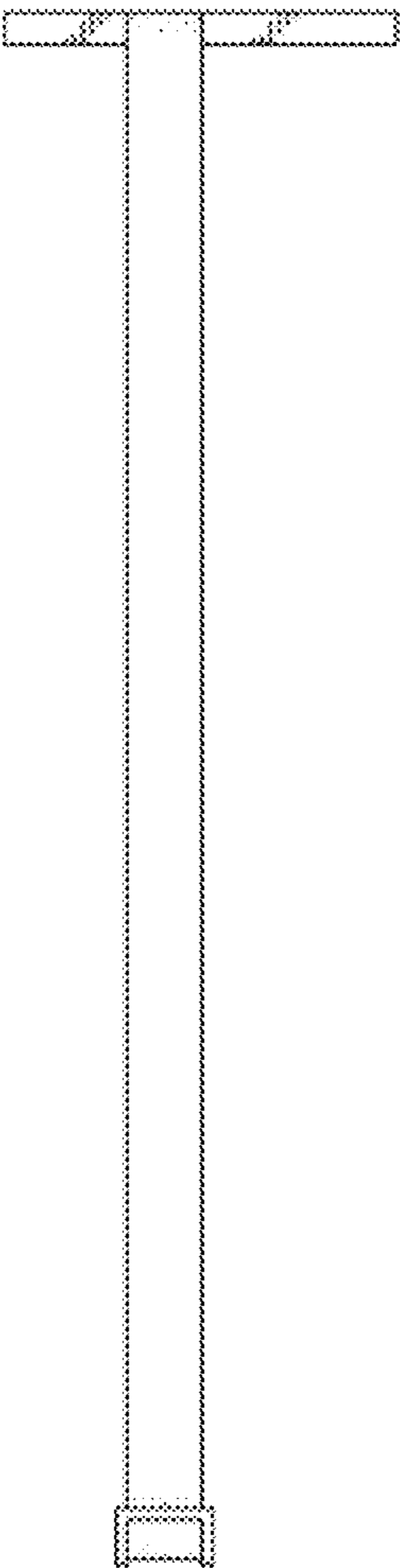


Fig. 4

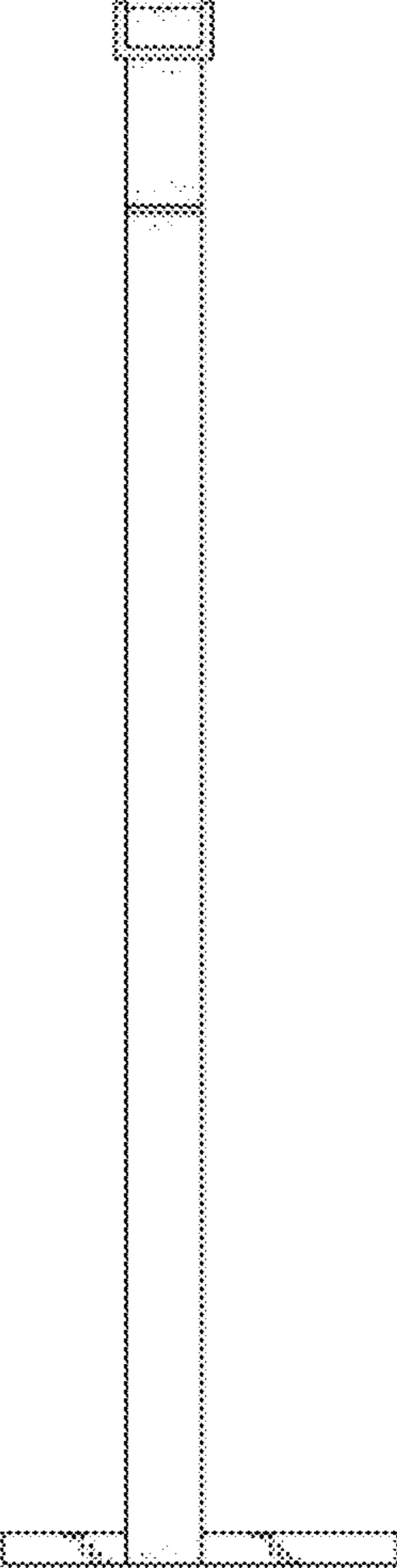


Fig. 5

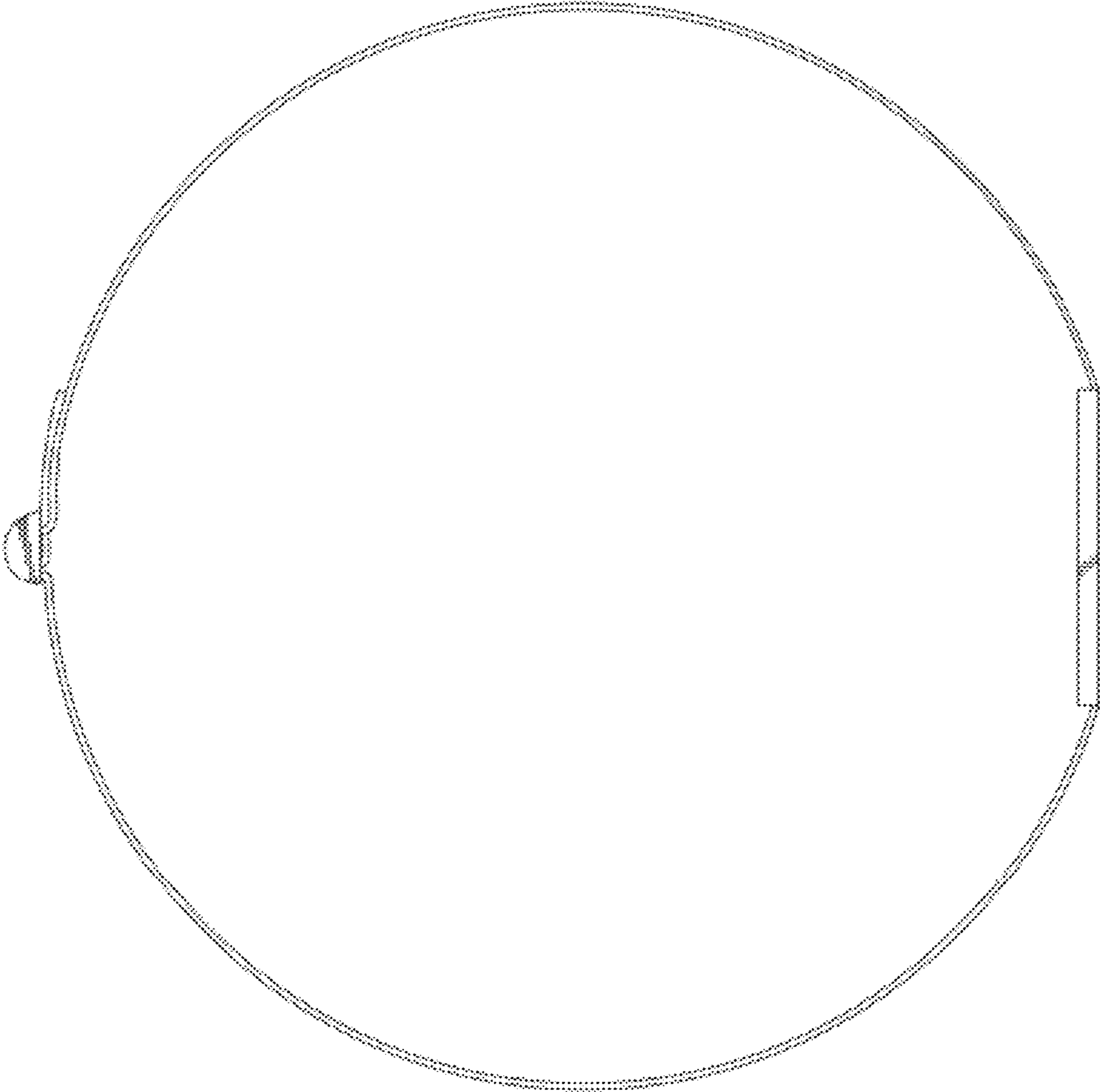


Fig. 6

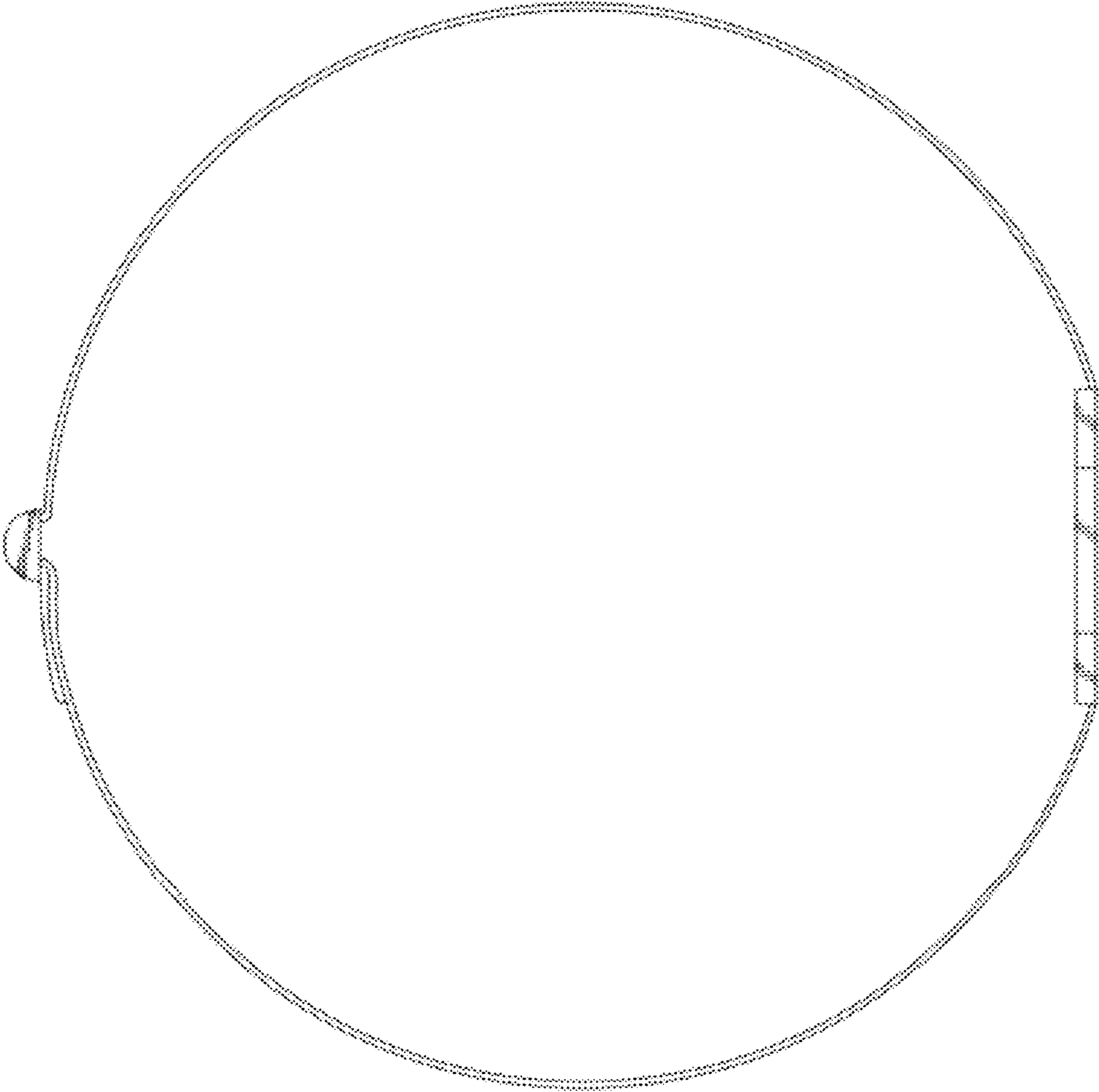


Fig. 7