



US00D656680S

(12) **United States Design Patent**  
**Sheren**

(10) **Patent No.:** **US D656,680 S**  
(45) **Date of Patent:** **\*\* Mar. 27, 2012**

(54) **CHEST APPARATUS**

(75) Inventor: **Brady Sheren**, Surrey (CA)

(73) Assignee: **Brady Sheren Designs Inc.**, Surrey,  
British Columbia (CA)

(\*\*) Term: **14 Years**

(21) Appl. No.: **29/373,945**

(22) Filed: **Jun. 13, 2011**

(51) **LOC (9) Cl.** ..... **29-02**

(52) **U.S. Cl.** ..... **D29/101.3**

(58) **Field of Classification Search** ..... D29/10,  
D29/11, 99, 101.2, 101.3, 122; 2/2, 2.5,  
2/27, 44.45, 69, 92, 94, 102, 108, 268, 326,  
2/410, 411, 412, 413, 414, 455, 456, 461,  
2/462, 463, 464, 465, 468; 428/113, 911;  
89/36.01, 36.02, 36.05; D24/64; 280/290,  
280/808; 350/97, 98

See application file for complete search history.

(56) **References Cited**

**U.S. PATENT DOCUMENTS**

D296,595	S *	7/1988	Flosi et al.	.....	D29/101.3
D492,819	S *	7/2004	Beland	.....	D29/122
D553,299	S *	10/2007	Le Carpentier	.....	D29/101.2
D600,860	S *	9/2009	Durham	.....	D29/101.3
7,975,321	B1 *	7/2011	Behrens	.....	2/468
8,024,820	B2 *	9/2011	Weimer et al.	.....	2/463

\* cited by examiner

*Primary Examiner* — Susan Bennett Hattan

*Assistant Examiner* — Barbara B Lohr

(74) *Attorney, Agent, or Firm* — Thomas I. Rozsa

(57) **CLAIM**

The ornamental design for an chest apparatus, as shown and described.

**DESCRIPTION**

FIG. 1 is a front elevational view of an chest apparatus, showing my design in the opened condition;  
 FIG. 2 is a rear elevational view thereof in the opened condition;  
 FIG. 3 is a right side elevational view thereof in the opened condition;  
 FIG. 4 is a left side elevational view thereof in the opened condition;  
 FIG. 5 is a top plan view thereof;  
 FIG. 6 is a bottom plan view thereof;  
 FIG. 7 is a perspective view thereof in the opened condition;  
 FIG. 8 is a perspective view of an chest apparatus in the closed condition;  
 FIG. 9 is a front elevational view thereof in a closed condition;  
 FIG. 10 is a rear elevation view thereof in a closed condition;  
 FIG. 11 is a side elevational view thereof, when viewed from the right side in a closed condition;  
 FIG. 12 is a side elevational view thereof, when viewed from the left side in a closed condition;  
 FIG. 13 is a top plan view thereof when viewed in a closed condition; and,  
 FIG. 14 is bottom plan view thereof when viewed in a closed condition.

**1 Claim, 7 Drawing Sheets**

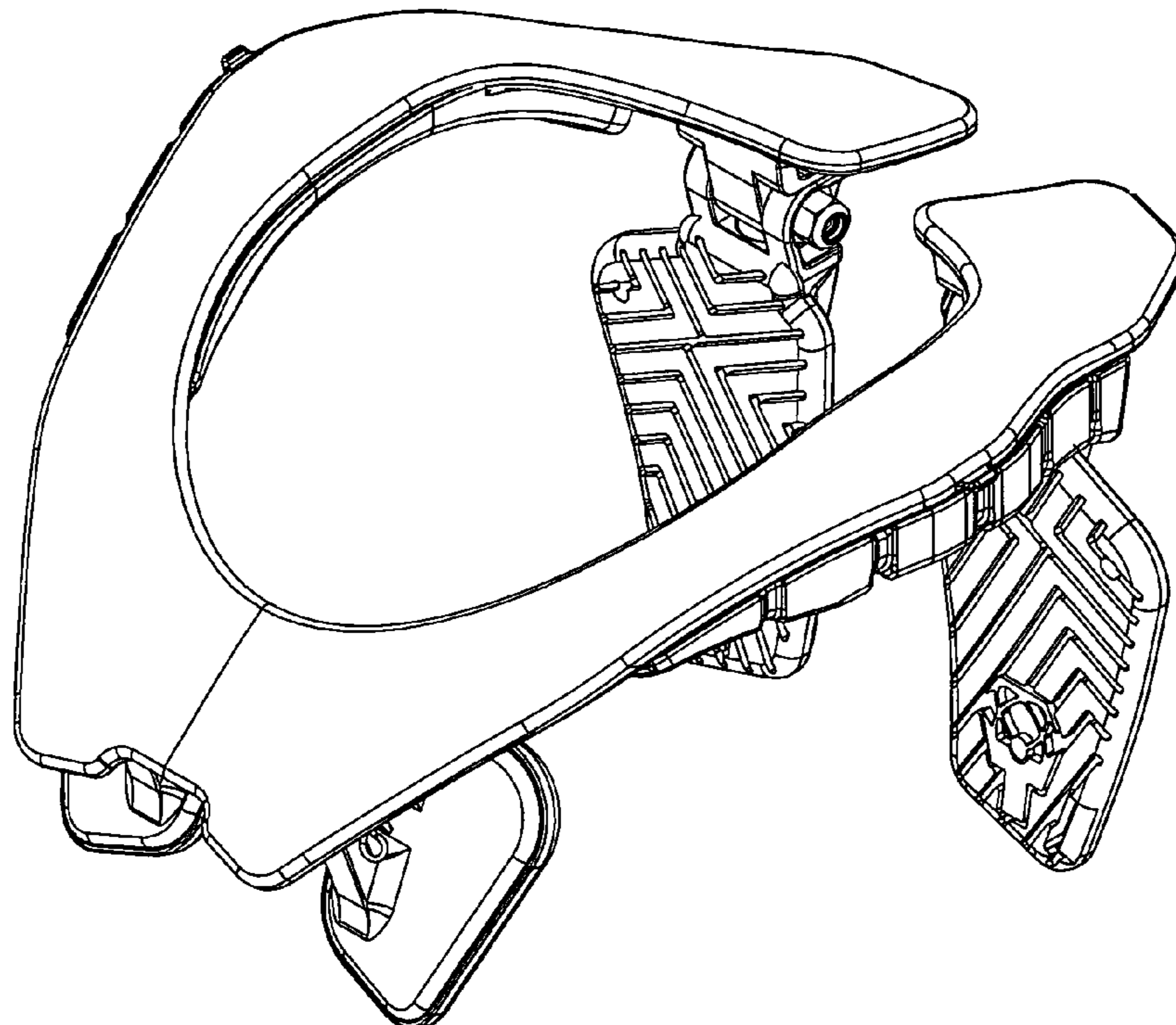


FIG. 1

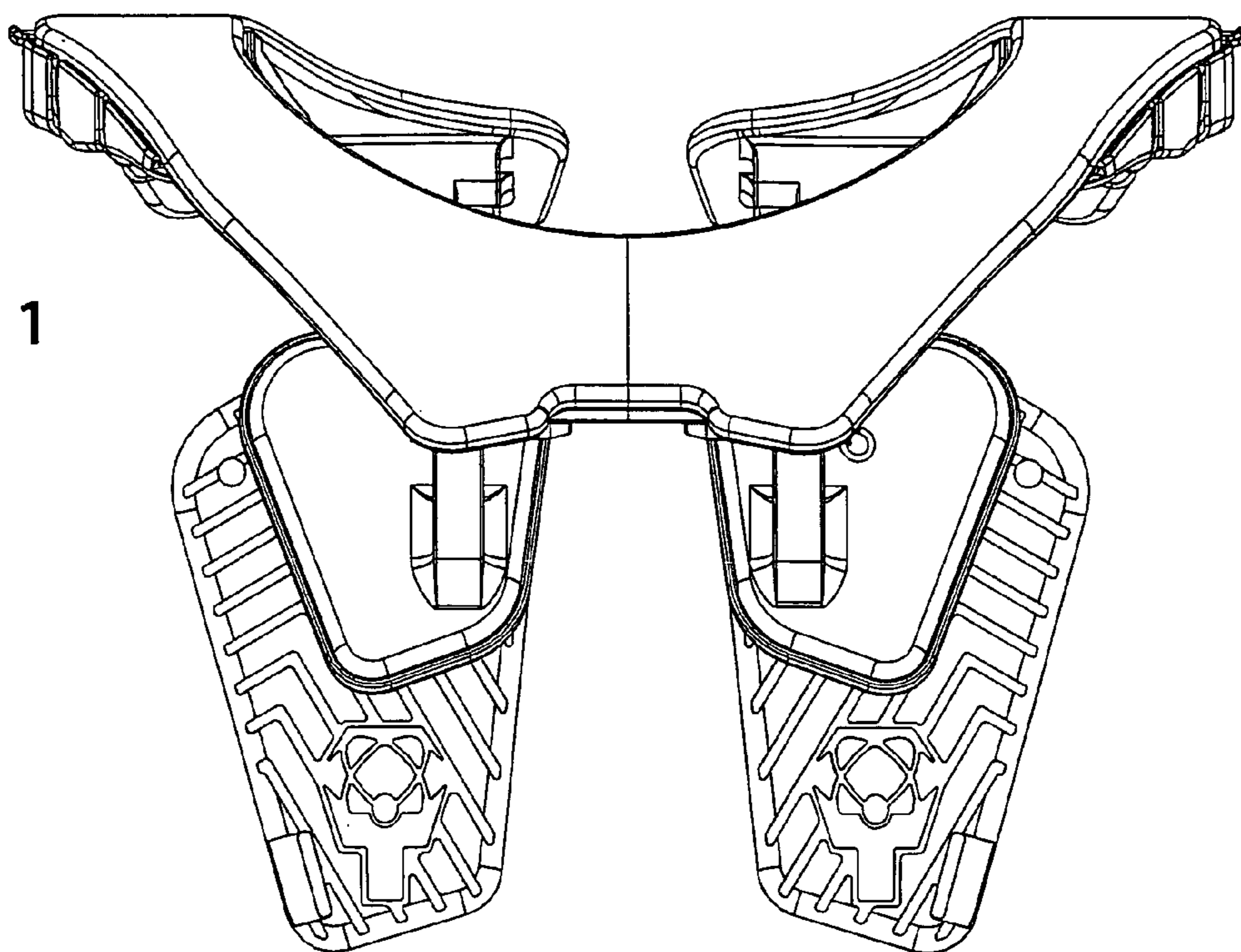


FIG. 2

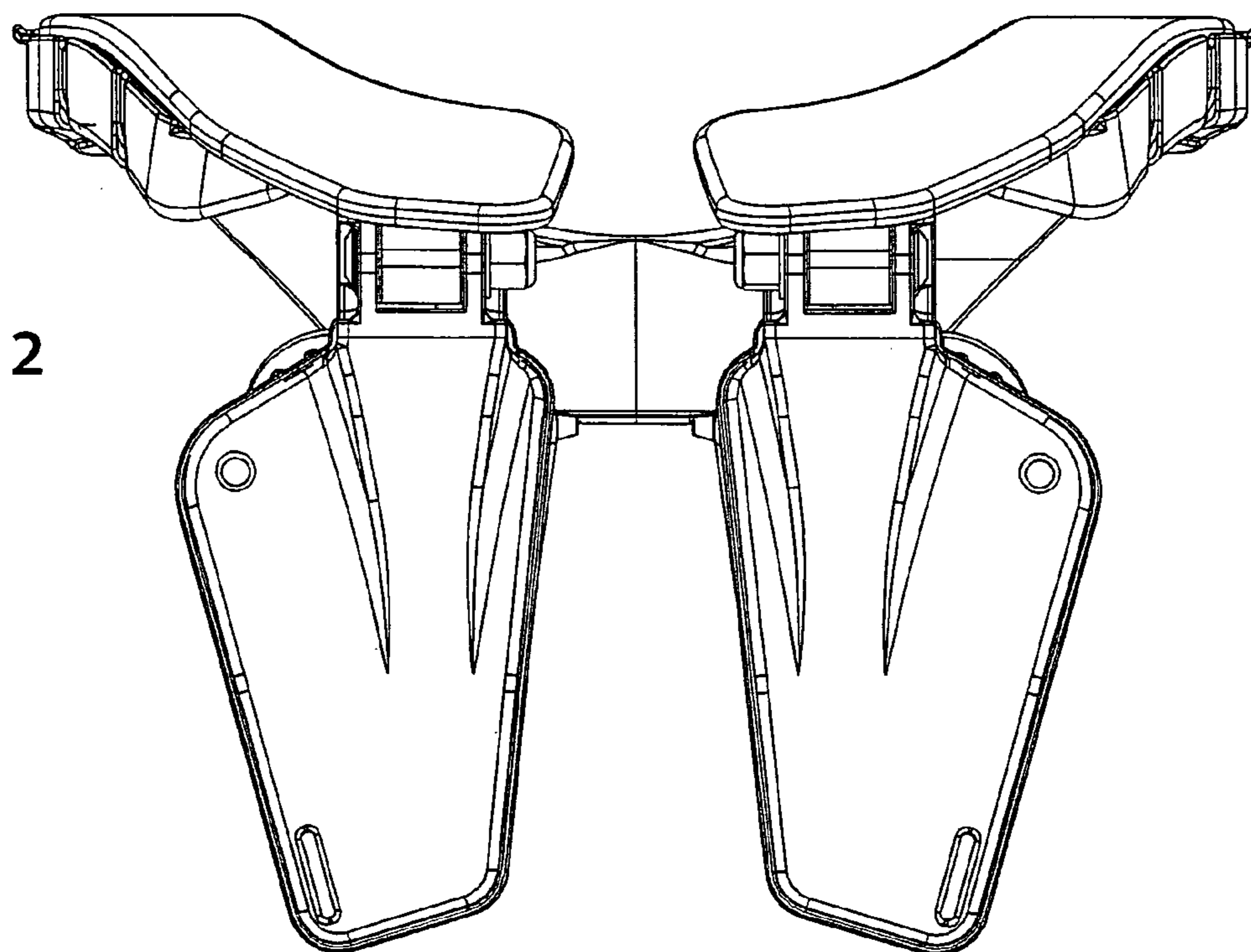


FIG. 3

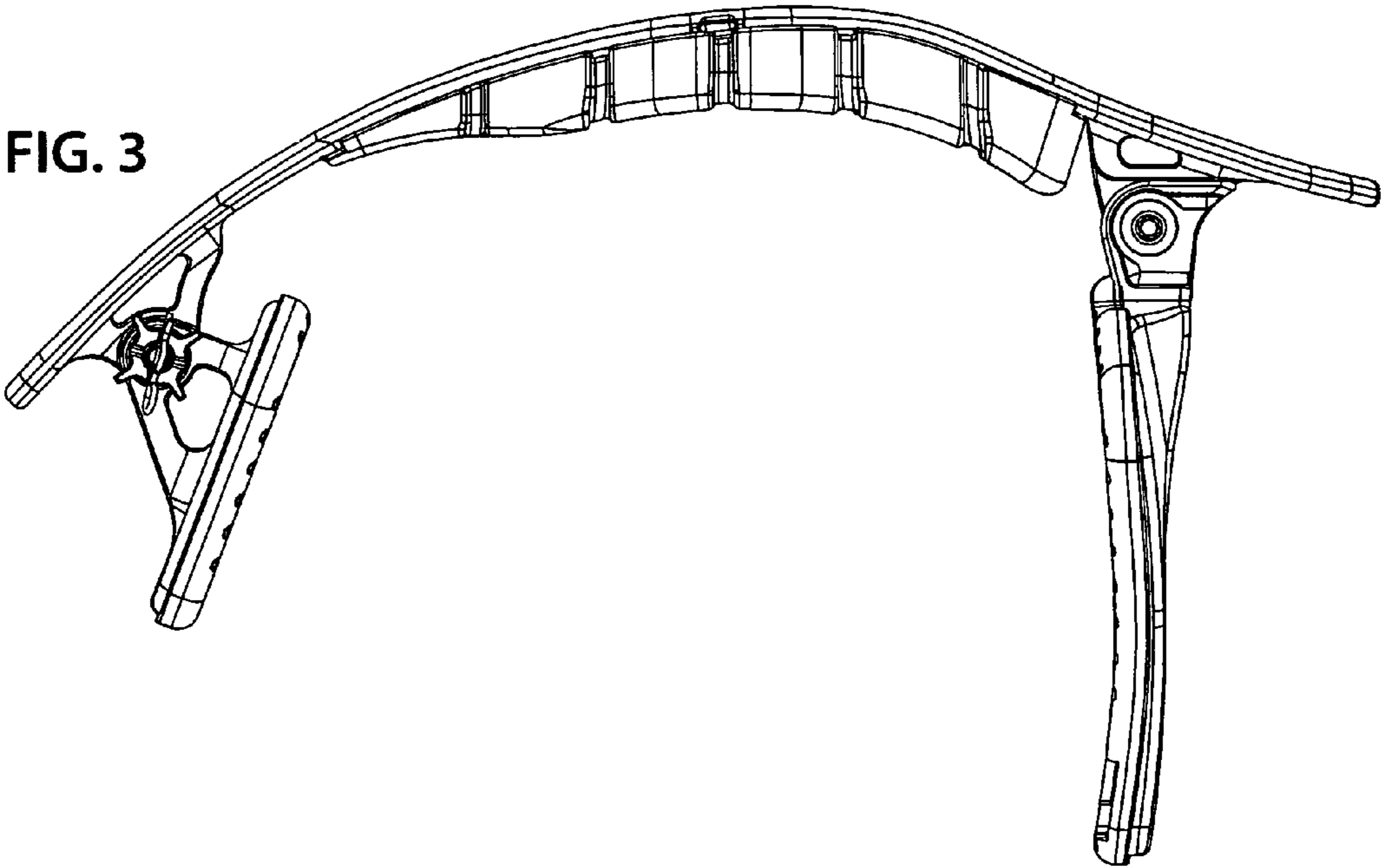


FIG. 4

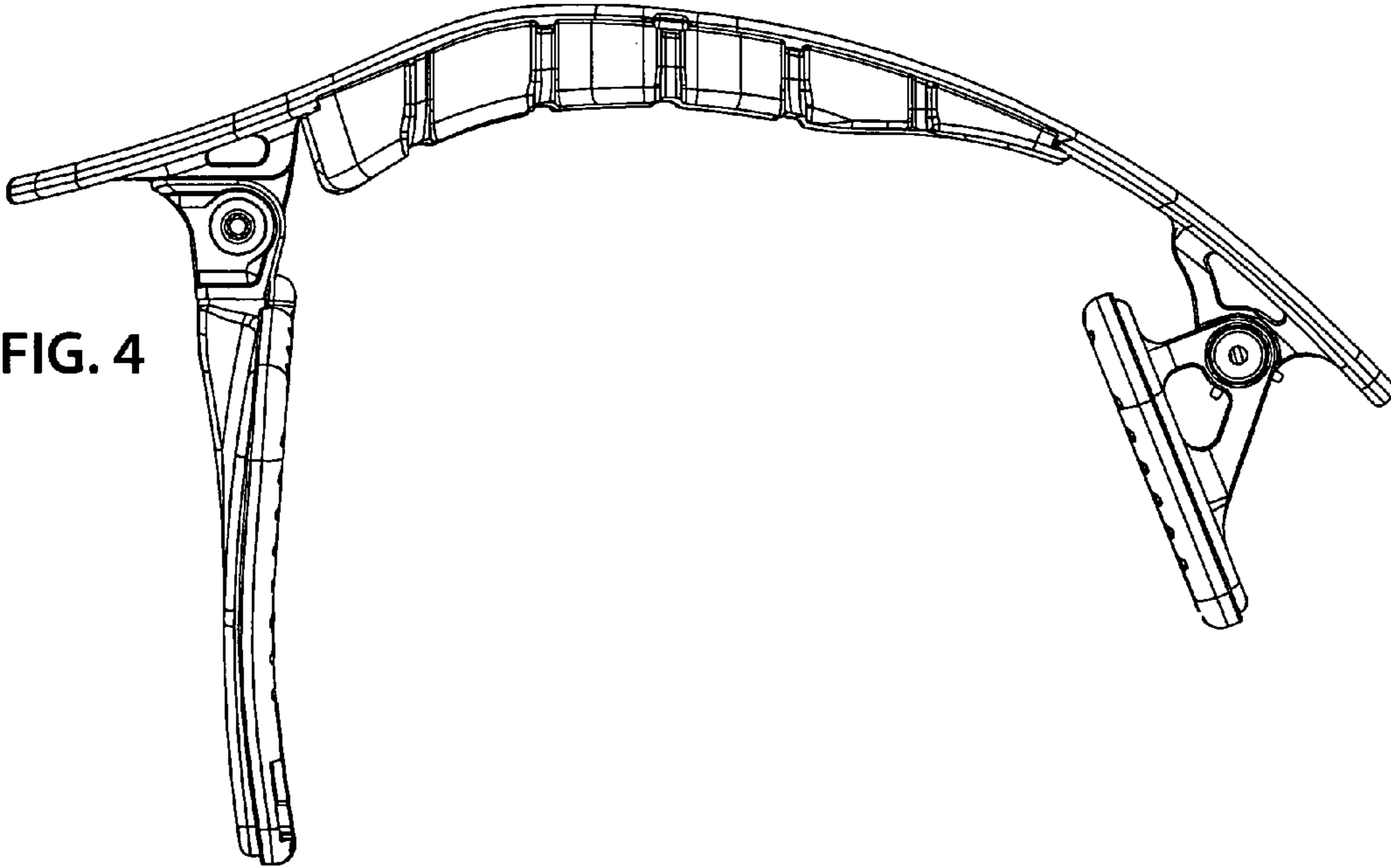


FIG. 5

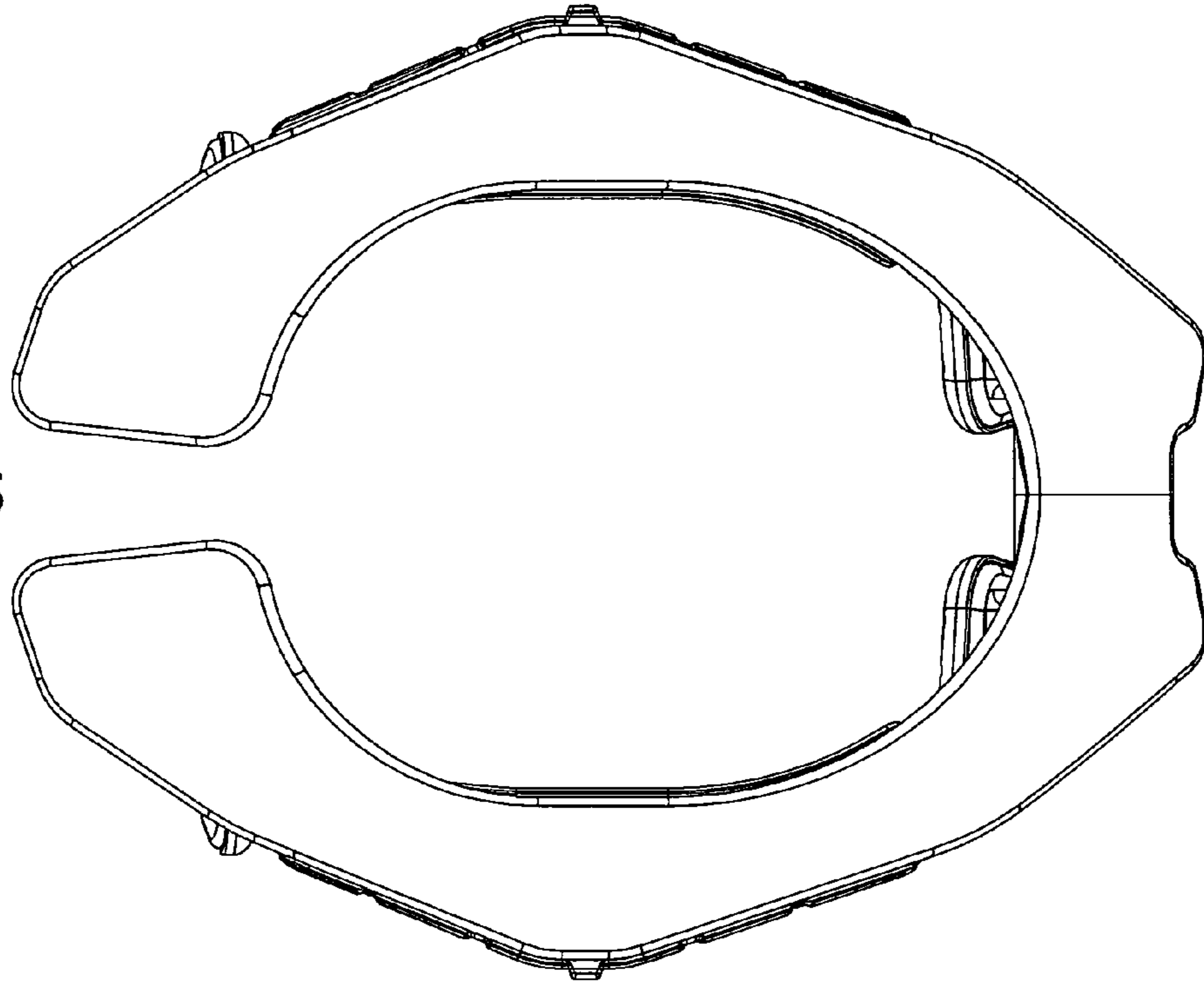


FIG. 6

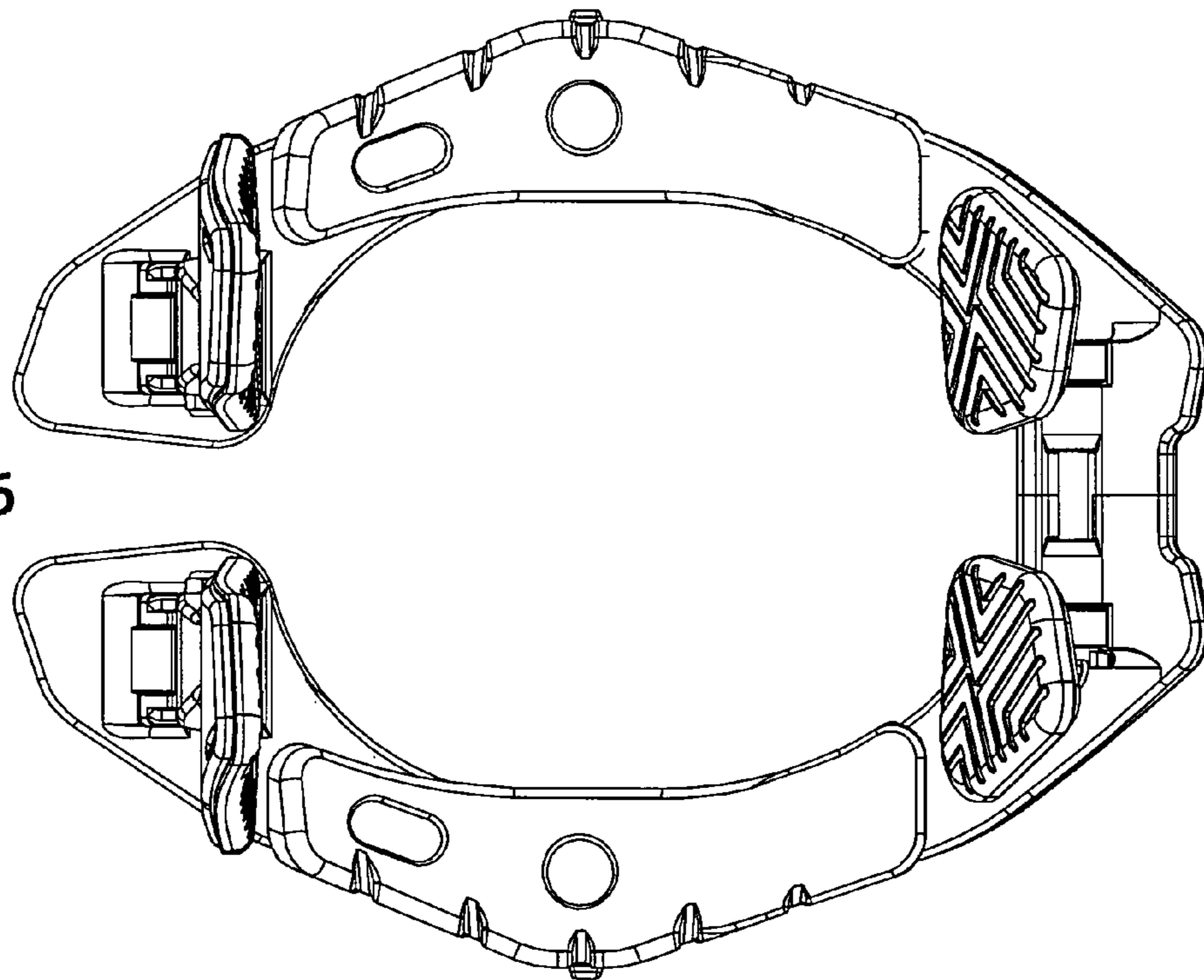


FIG. 7

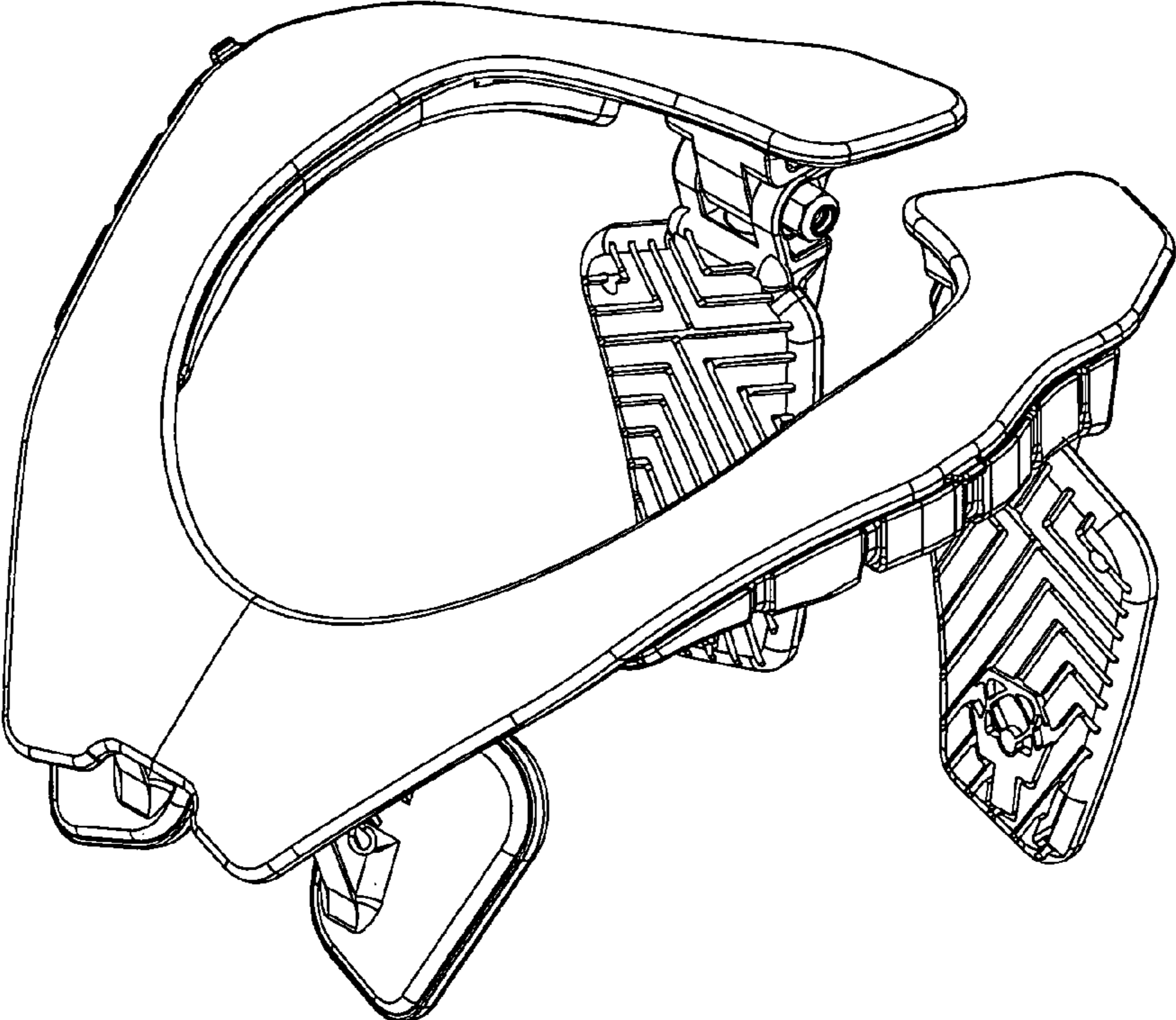


FIG. 8

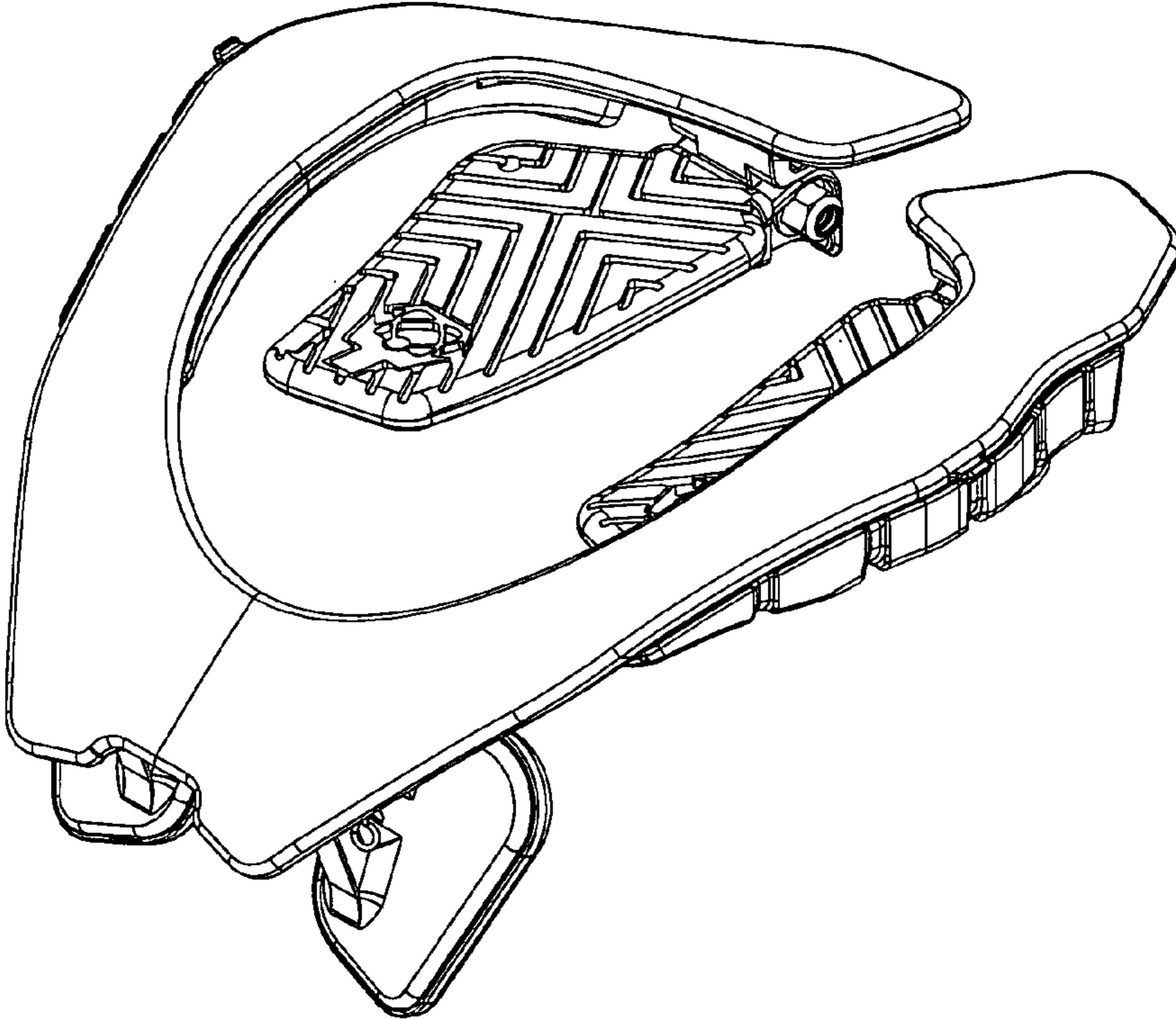


FIG. 9

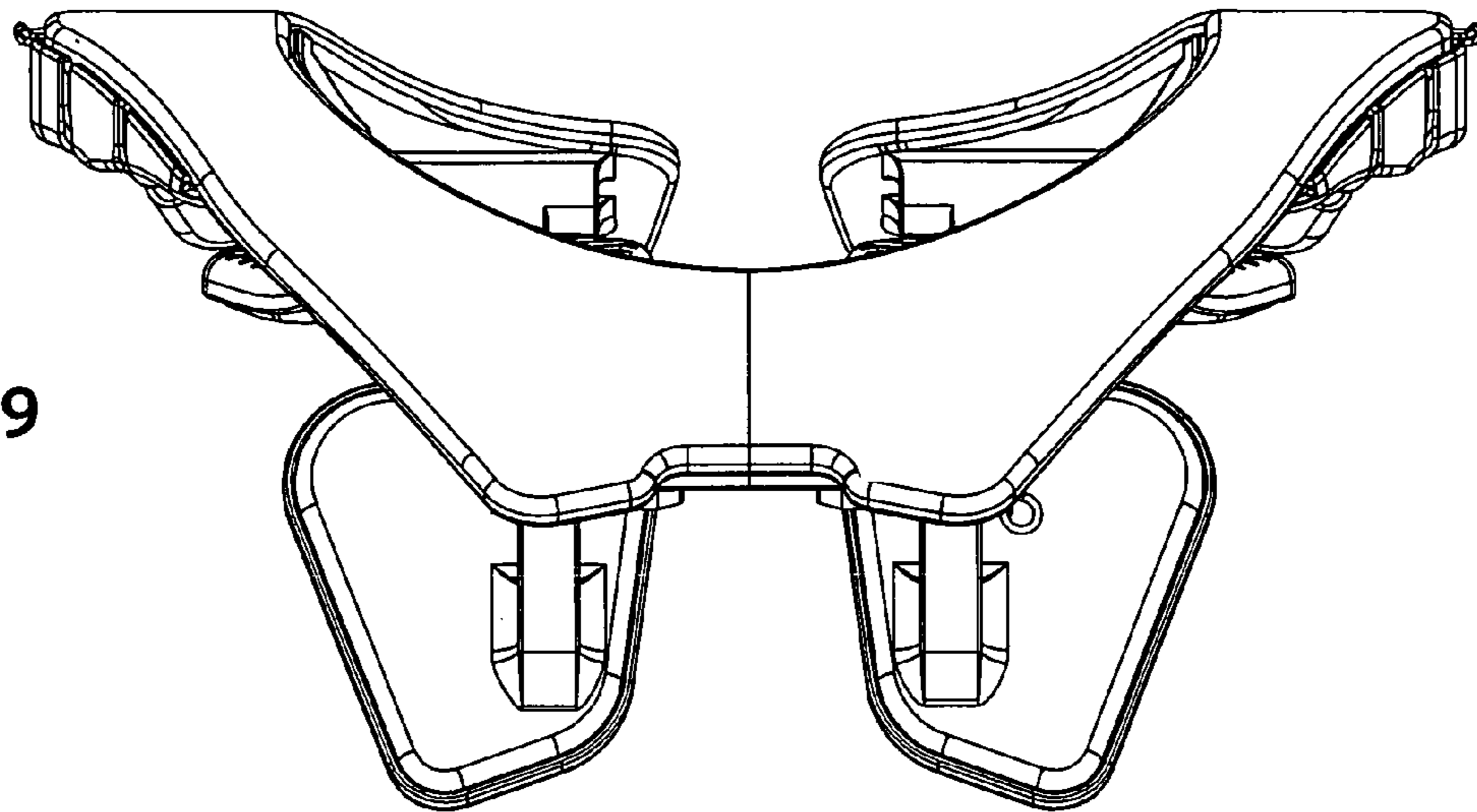


FIG. 10

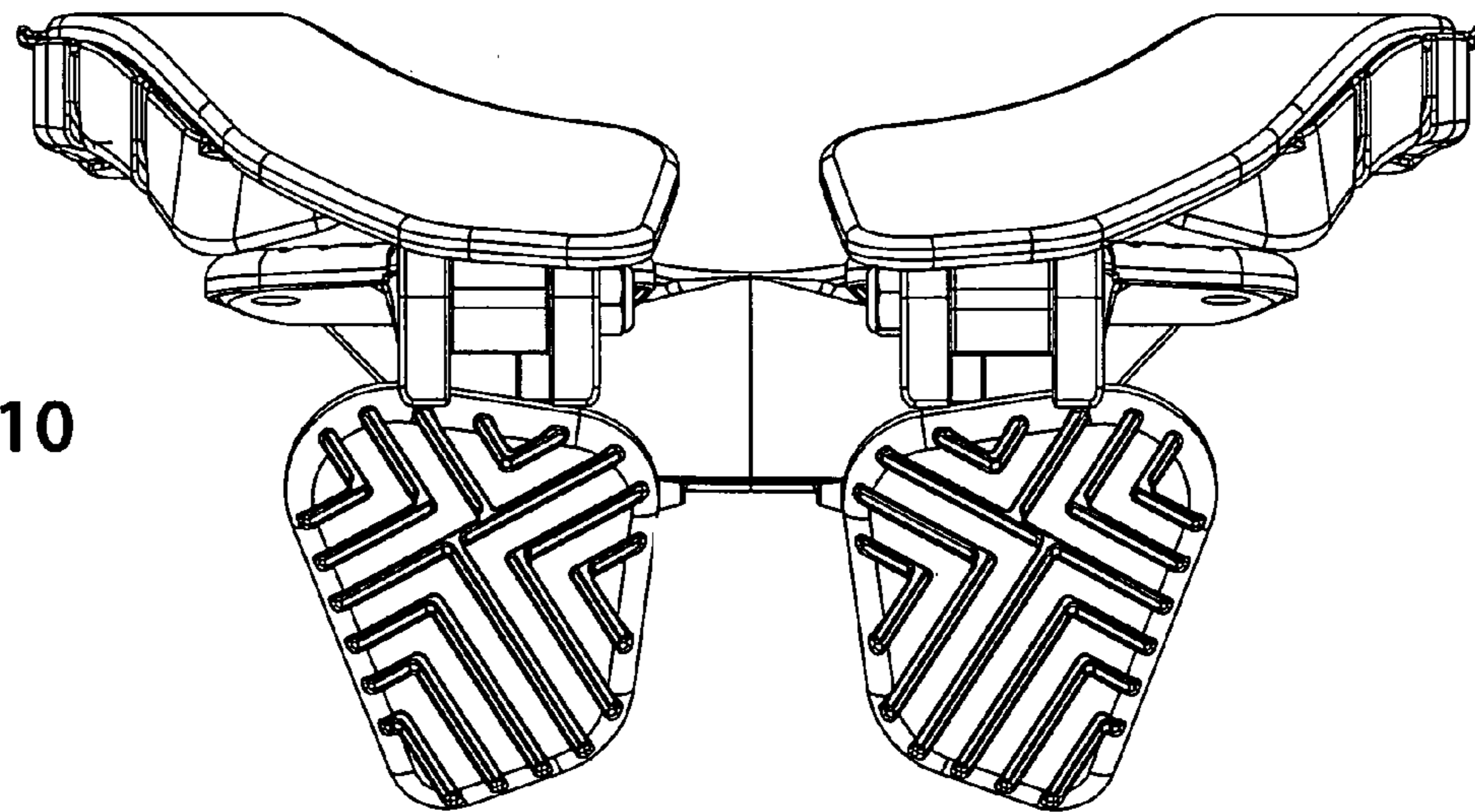


FIG. 11

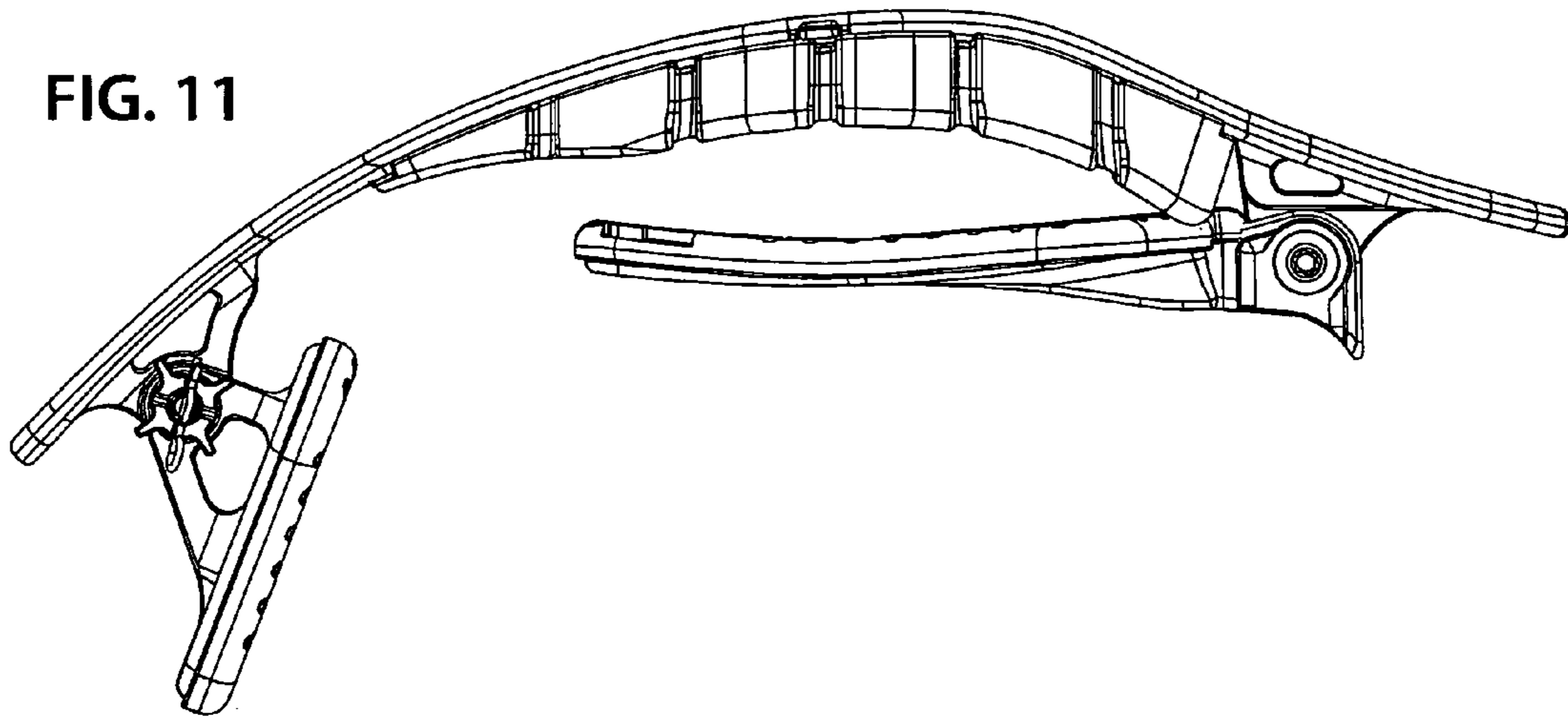


FIG. 12

