



US00D656679S

(12) **United States Design Patent**  
**Lai**

(10) **Patent No.:** **US D656,679 S**

(45) **Date of Patent:** **\*\* Mar. 27, 2012**

(54) **COSMETIC CASE**

(75) Inventor: **Chin-Chun Lai**, New Taipei (TW)

(73) Assignee: **Chao Ling Chemical Industry Co., Ltd.**, New Taipei (TW)

(\*\*) Term: **14 Years**

(21) Appl. No.: **29/402,099**

(22) Filed: **Sep. 21, 2011**

(51) **LOC (9) Cl.** ..... **28-03**

(52) **U.S. Cl.** ..... **D28/83**

(58) **Field of Classification Search** ..... D28/73,  
D28/76-84; D3/294-296, 901; 206/581,  
206/823; 132/286-318

See application file for complete search history.

(56) **References Cited**

**U.S. PATENT DOCUMENTS**

D407,853 S *	4/1999	Morgan	.....	D28/78
D410,569 S *	6/1999	Morgan	.....	D28/78
D434,875 S *	12/2000	Gavin	.....	D28/83
D479,895 S *	9/2003	Lai	.....	D28/83
D576,354 S *	9/2008	Dominski et al.	.....	D28/83

D601,757 S *	10/2009	Sagel	.....	D28/83
D636,534 S *	4/2011	Lai	.....	D28/83
D641,933 S *	7/2011	Chen	.....	D28/83

\* cited by examiner

*Primary Examiner* — Jennifer Rivard

(74) *Attorney, Agent, or Firm* — Leong C. Lei

(57) **CLAIM**

The ornamental design for a cosmetic case, as shown and described.

**DESCRIPTION**

FIG. 1 is a front perspective view of a cosmetic case showing my new design;

FIG. 2 is a front elevational view thereof;

FIG. 3 is a rear elevational view thereof;

FIG. 4 is a left elevational view thereof;

FIG. 5 is a right elevational view thereof;

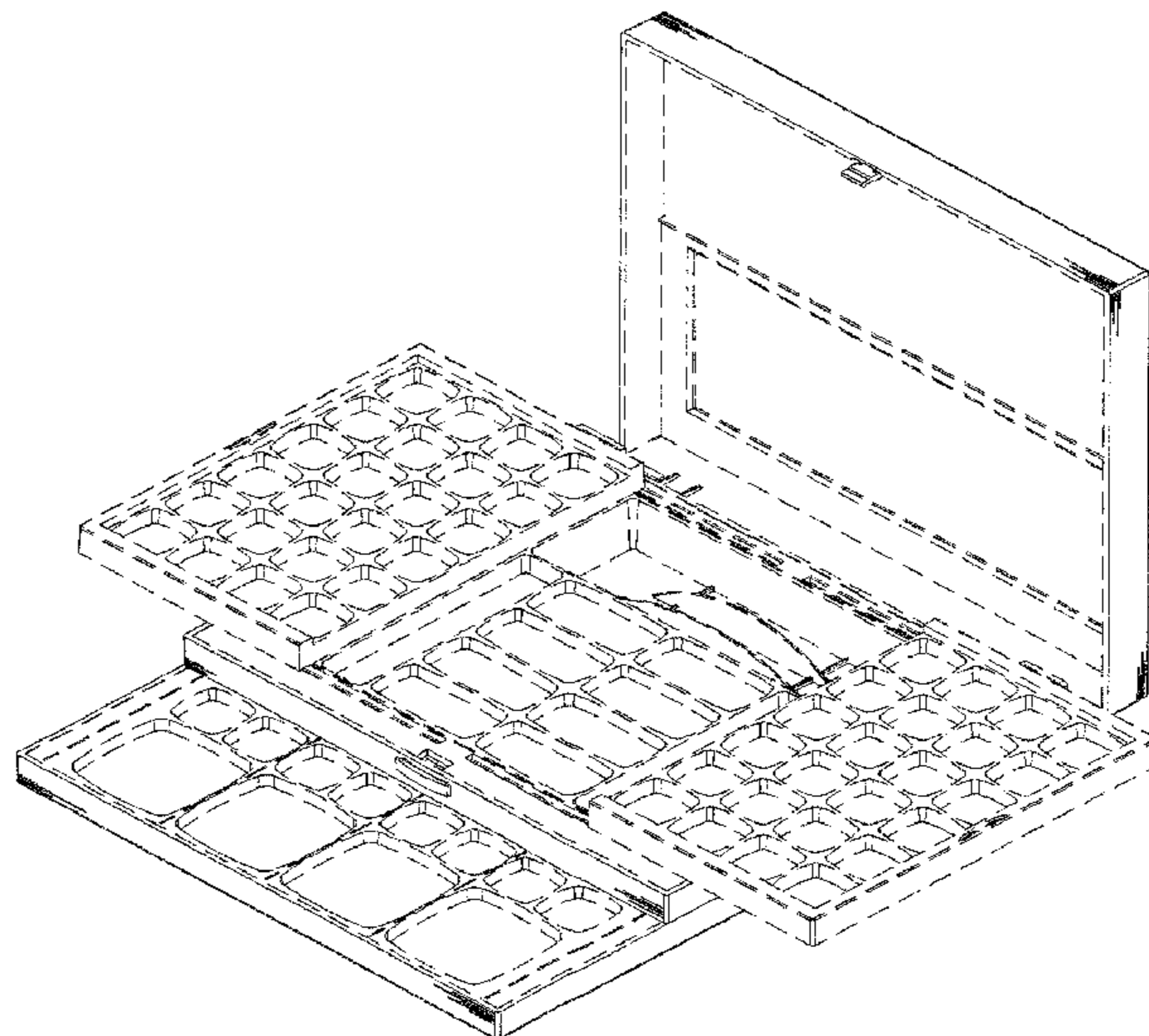
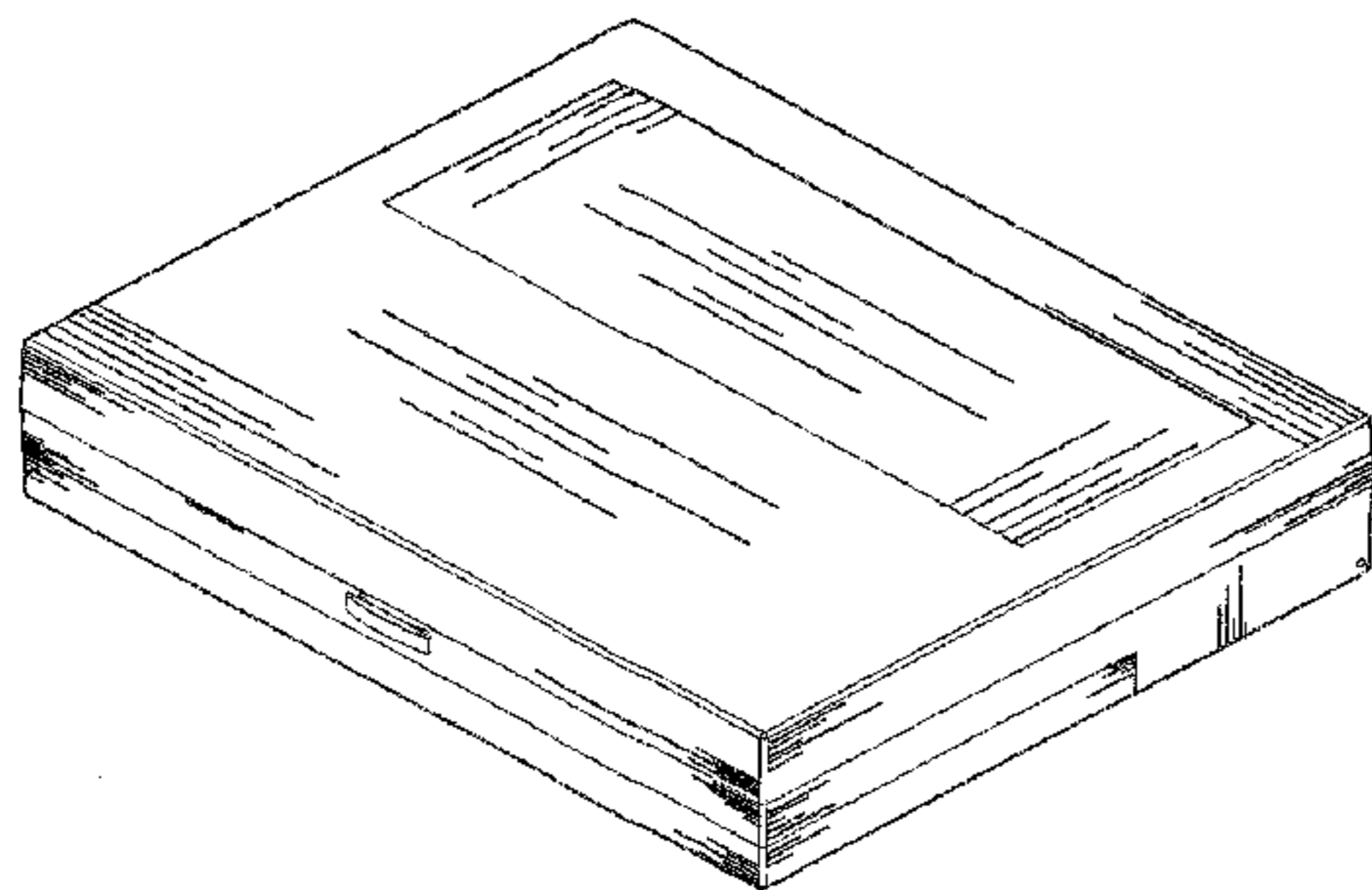
FIG. 6 is a top plan view thereof;

FIG. 7 is a bottom plan view thereof; and,

FIG. 8 is another perspective view thereof, showing the status while in use.

The dotted line showing of the internal storage compartments is for illustrative purposes only and forms no part of the claimed design.

**1 Claim, 8 Drawing Sheets**



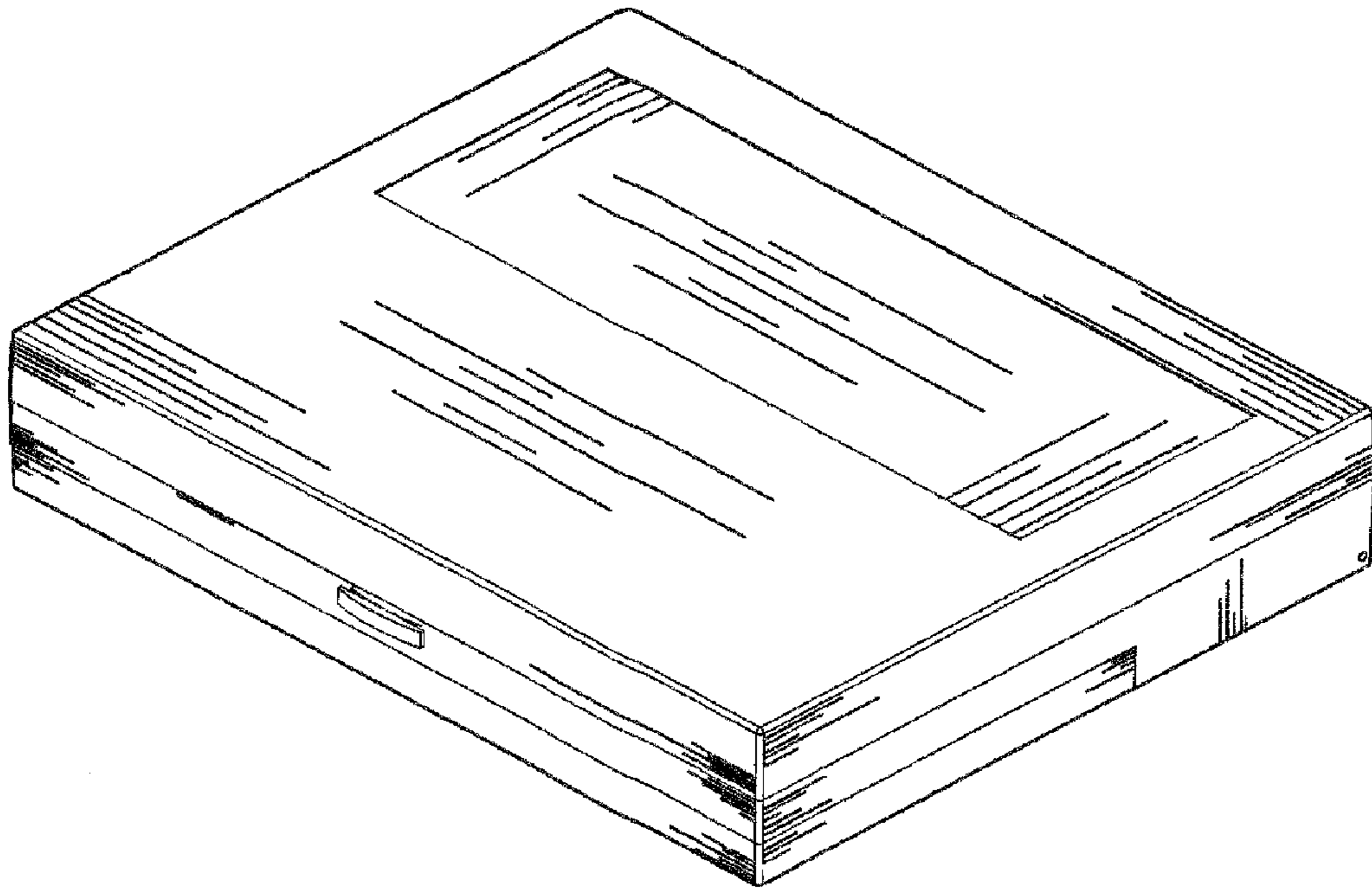


FIG. 1

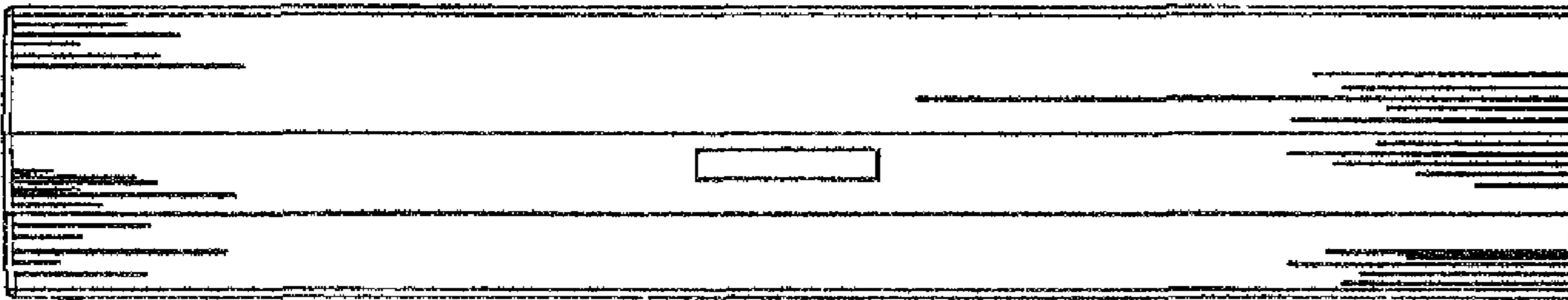


FIG. 2

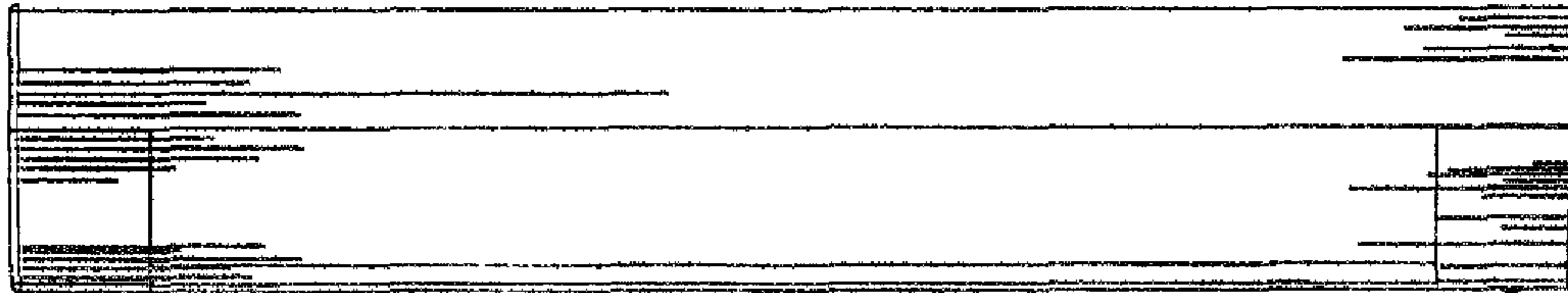


FIG. 3



FIG. 4

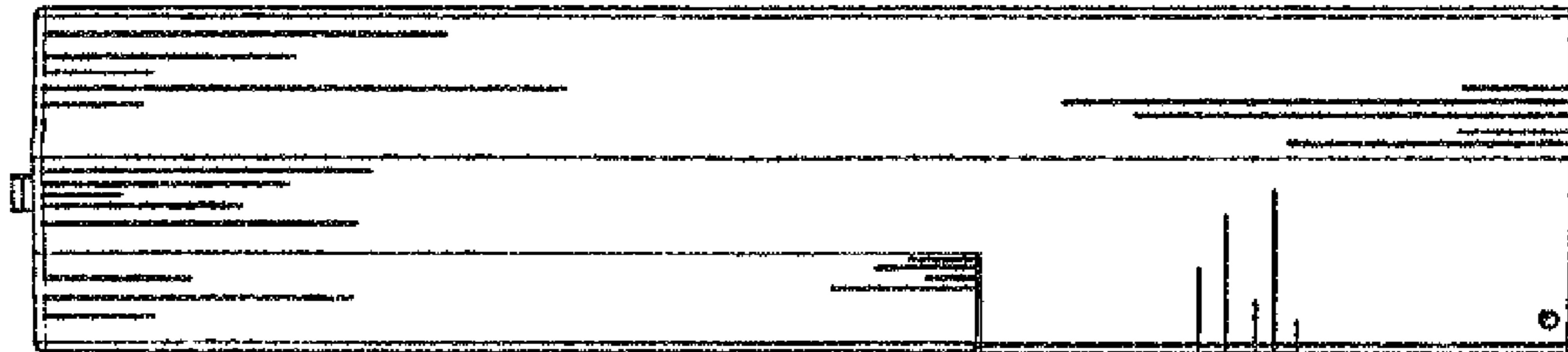


FIG. 5

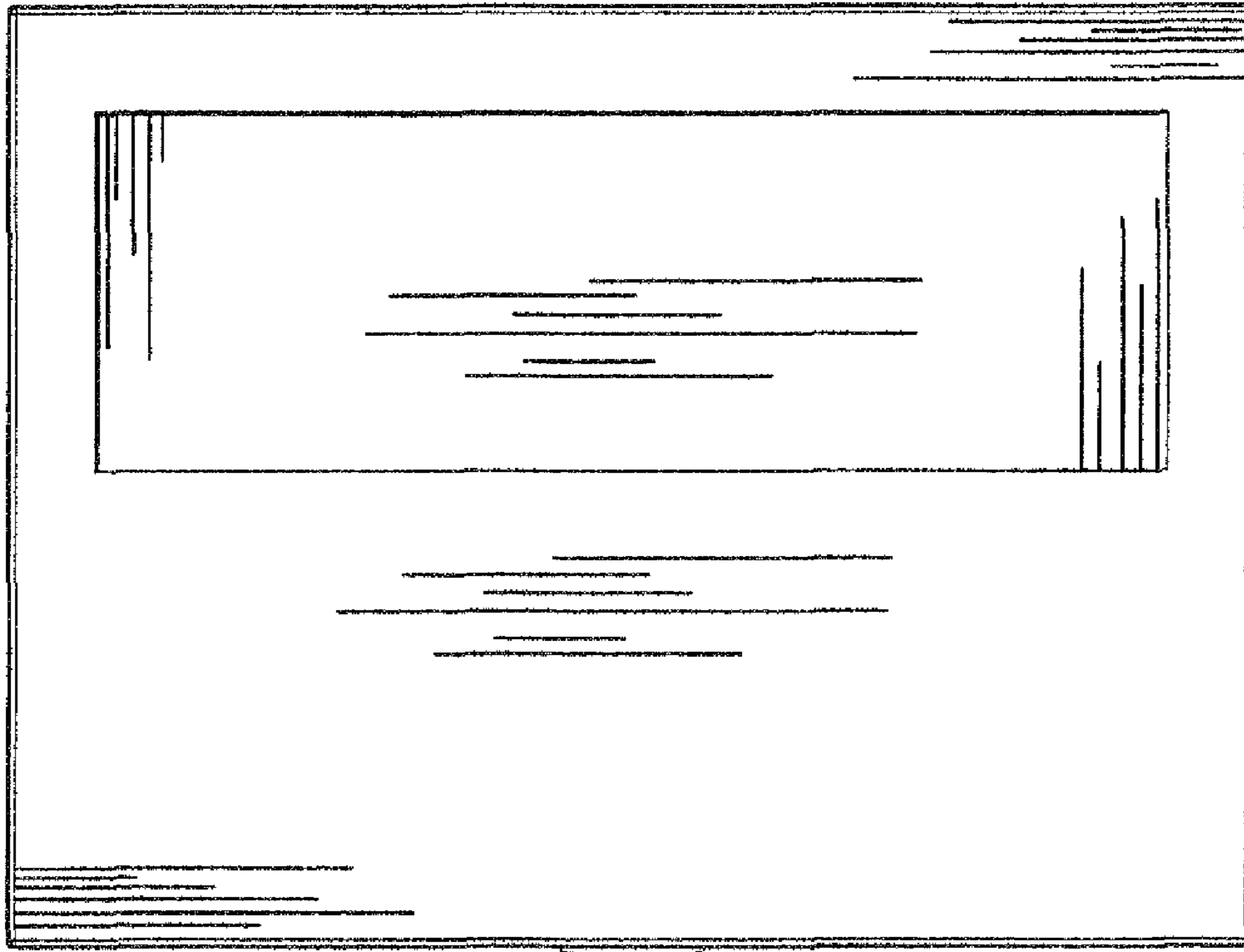


FIG. 6

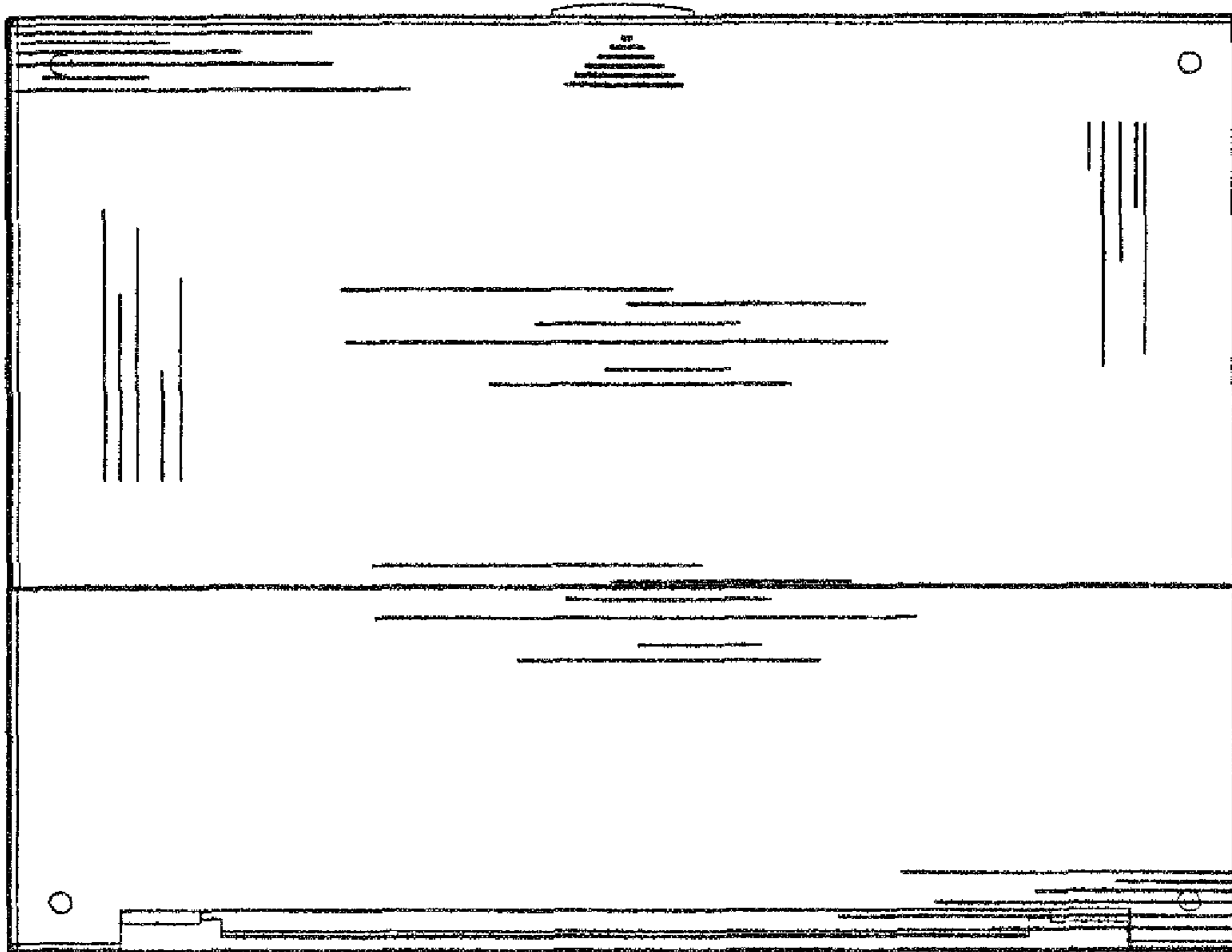


FIG. 7



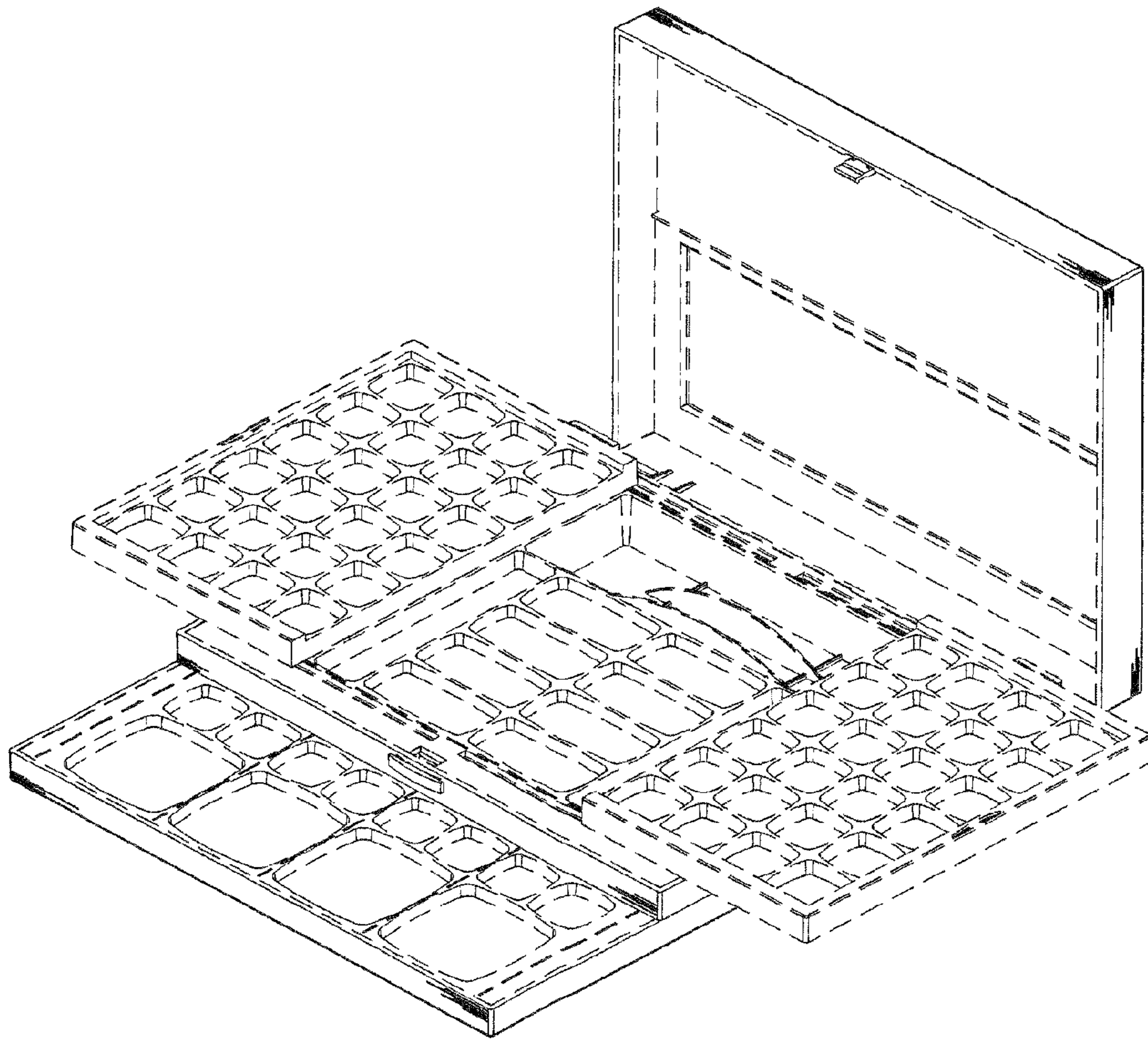


FIG. 8