



US00D656659S

(12) **United States Design Patent**
Kong et al.

(10) **Patent No.:** **US D656,659 S**
(45) **Date of Patent:** **** Mar. 27, 2012**

(54) **HEAD OF A STREET LAMP**

(75) Inventors: **Kyung-II Kong**, Seoul (KR); **Han Gyoul Kim**, Seoul (KR)

(73) Assignee: **LG Innotek Co., Ltd.**, Seoul (KR)

(**) Term: **14 Years**

(21) Appl. No.: **29/376,790**

(22) Filed: **Oct. 12, 2010**

(51) **LOC (9) Cl.** **26-99**

(52) **U.S. Cl.** **D26/113**

(58) **Field of Classification Search** D26/67-71,
D26/85, 92, 113; 362/145, 183, 231, 240,
362/249.02, 249.03, 249.04, 249.06, 249.16,
362/373, 311.02, 697, 547, 431, 432
See application file for complete search history.

(56) **References Cited**

U.S. PATENT DOCUMENTS

D201,700	S	*	7/1965	Stockwell	D26/71
D236,909	S	*	9/1975	Richilano	D26/68
D456,926	S	*	5/2002	Gaskins et al.	D26/71
D482,481	S	*	11/2003	Landefeld	D26/71
D564,687	S	*	3/2008	Bucher et al.	D26/60
D573,743	S	*	7/2008	Yan et al.	D26/71
D577,847	S	*	9/2008	Ruud et al.	D26/71
D578,698	S	*	10/2008	Zheng	D26/71
D580,085	S	*	11/2008	Svensson	D26/71

D607,593	S	*	1/2010	Yoo	D26/71
D634,465	S	*	3/2011	Siefker et al.	D26/71
D636,106	S	*	4/2011	Lee et al.	D26/71

* cited by examiner

Primary Examiner — Clare E Heflin

(74) *Attorney, Agent, or Firm* — KED & Associates LLP

(57) **CLAIM**

We claim the ornamental design for a “head of a street lamp,” as shown and described.

DESCRIPTION

FIG. 1 is a front perspective view of a head of a street lamp; FIG. 2 is a front view of the head of a street lamp of FIG. 1; FIG. 3 is a rear view of the head of a street lamp of FIG. 1; FIG. 4 is a left side view of the head of a street lamp of FIG. 1; FIG. 5 is a right side view of the head of a street lamp of FIG. 1; FIG. 6 is a top view of the head of a street lamp of FIG. 1; FIG. 7 is a bottom view of the head of a street lamp of FIG. 1; and, FIG. 8 is a bottom perspective view of the head of a street lamp of FIG. 1, showing a light-emitting part in broken diagonal lines. The broken lines shown on the drawings depict portions of the head of a street lamp that form no part of the claimed design.

1 Claim, 5 Drawing Sheets

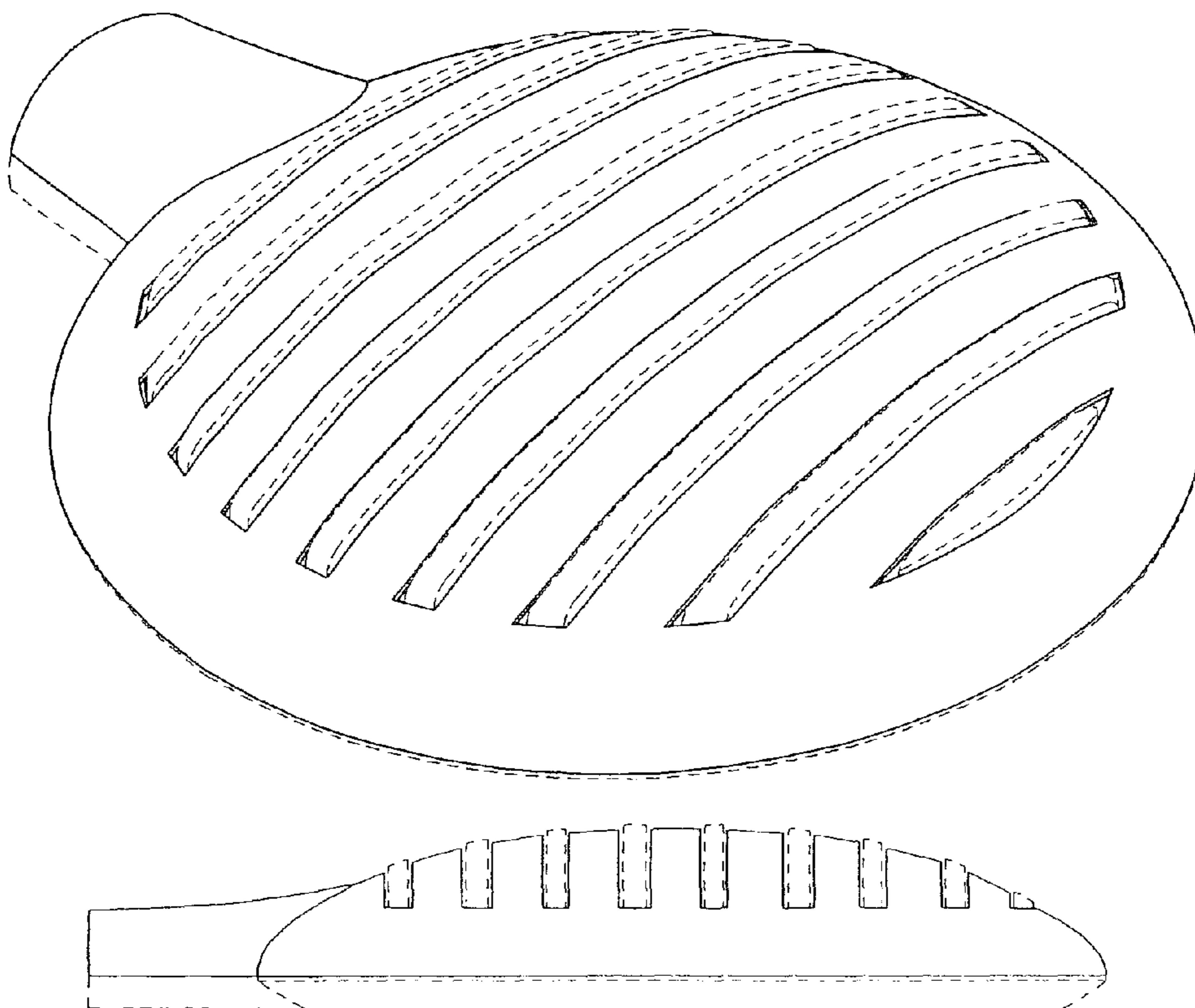


Figure 1

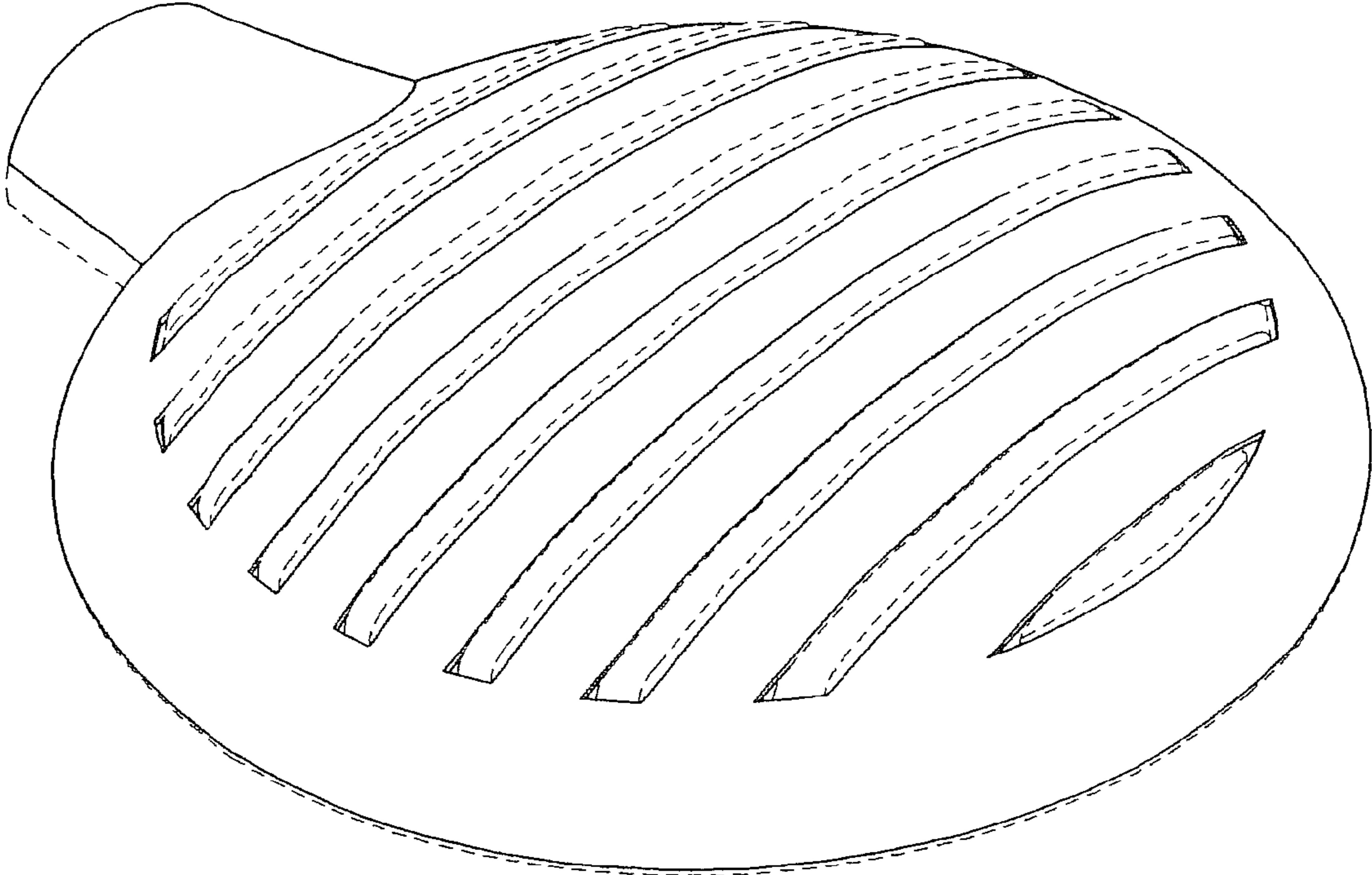


Figure 2

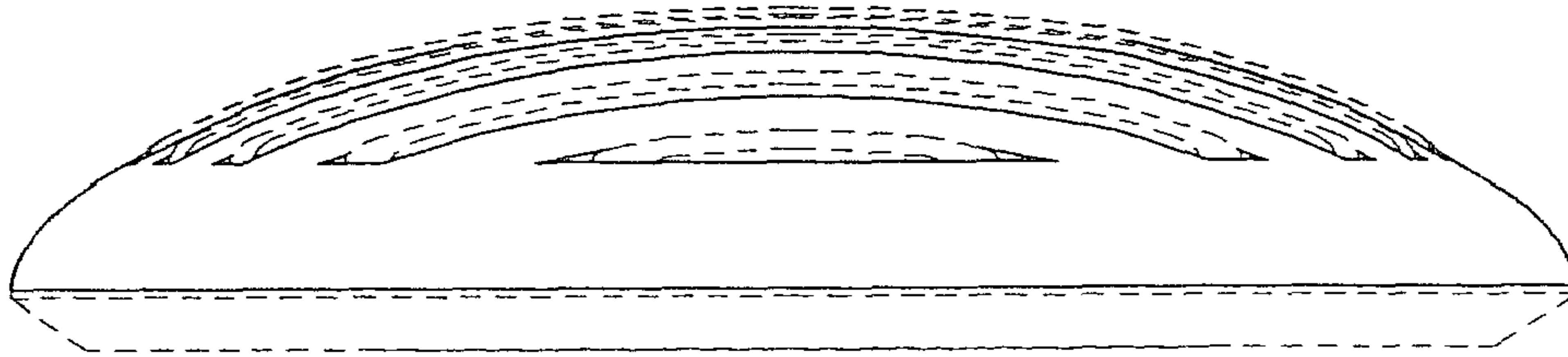


Figure 3

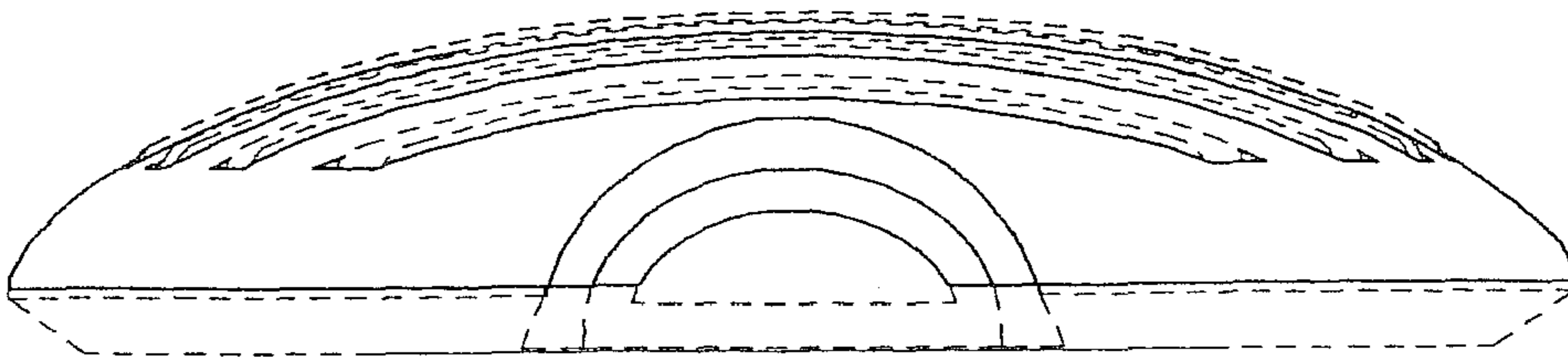


Figure 4

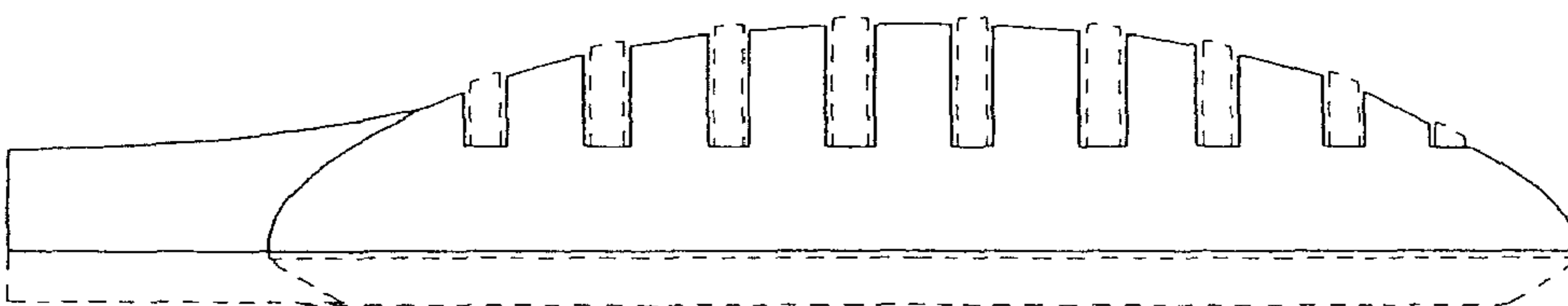


Figure 5

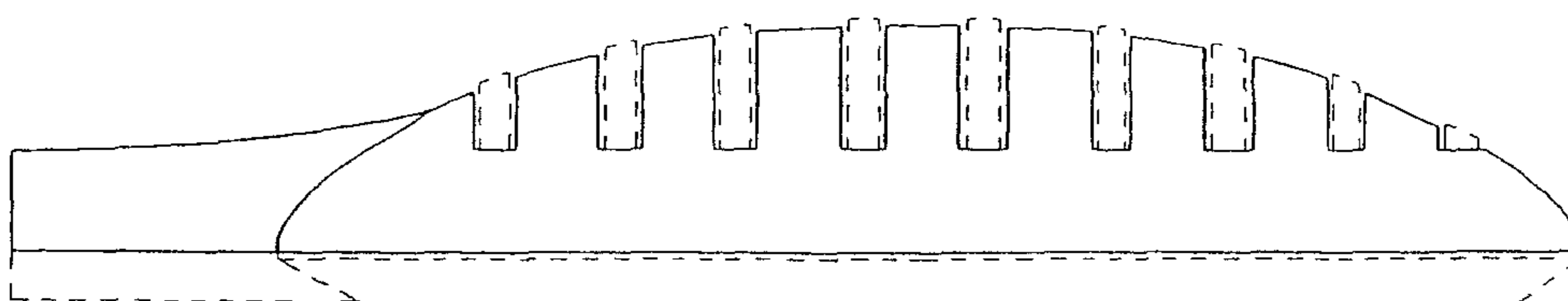


Figure 6

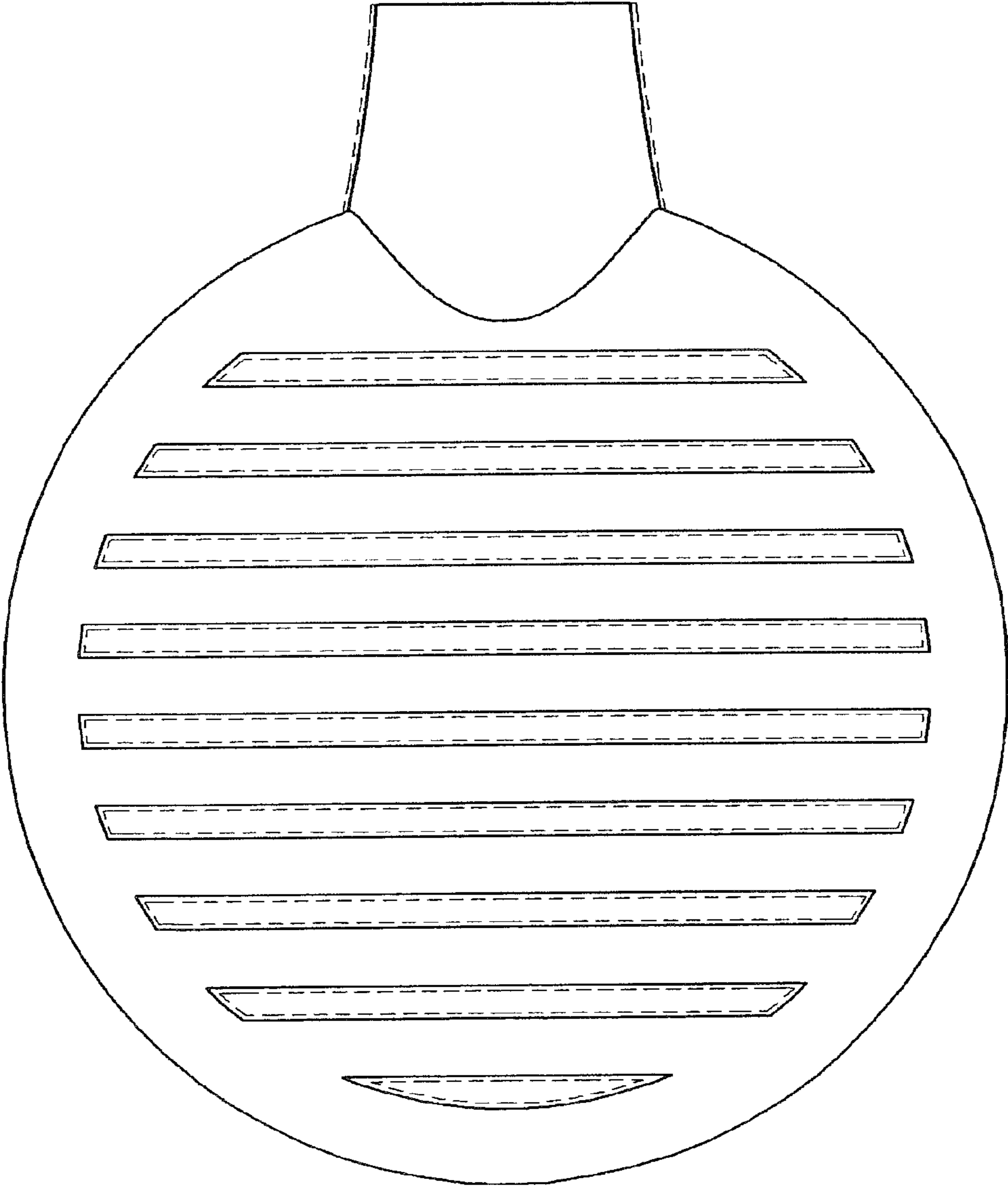


Figure 7

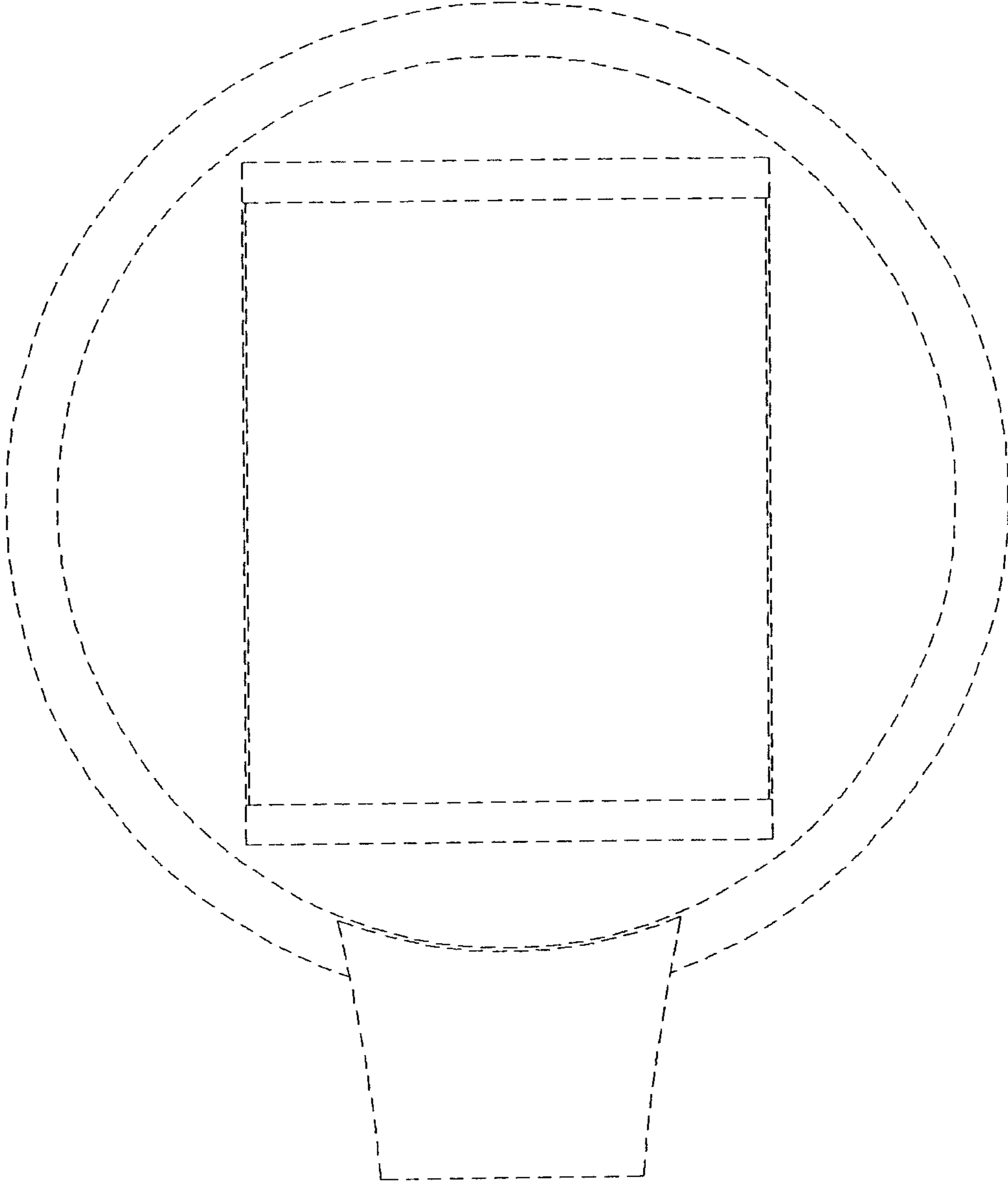
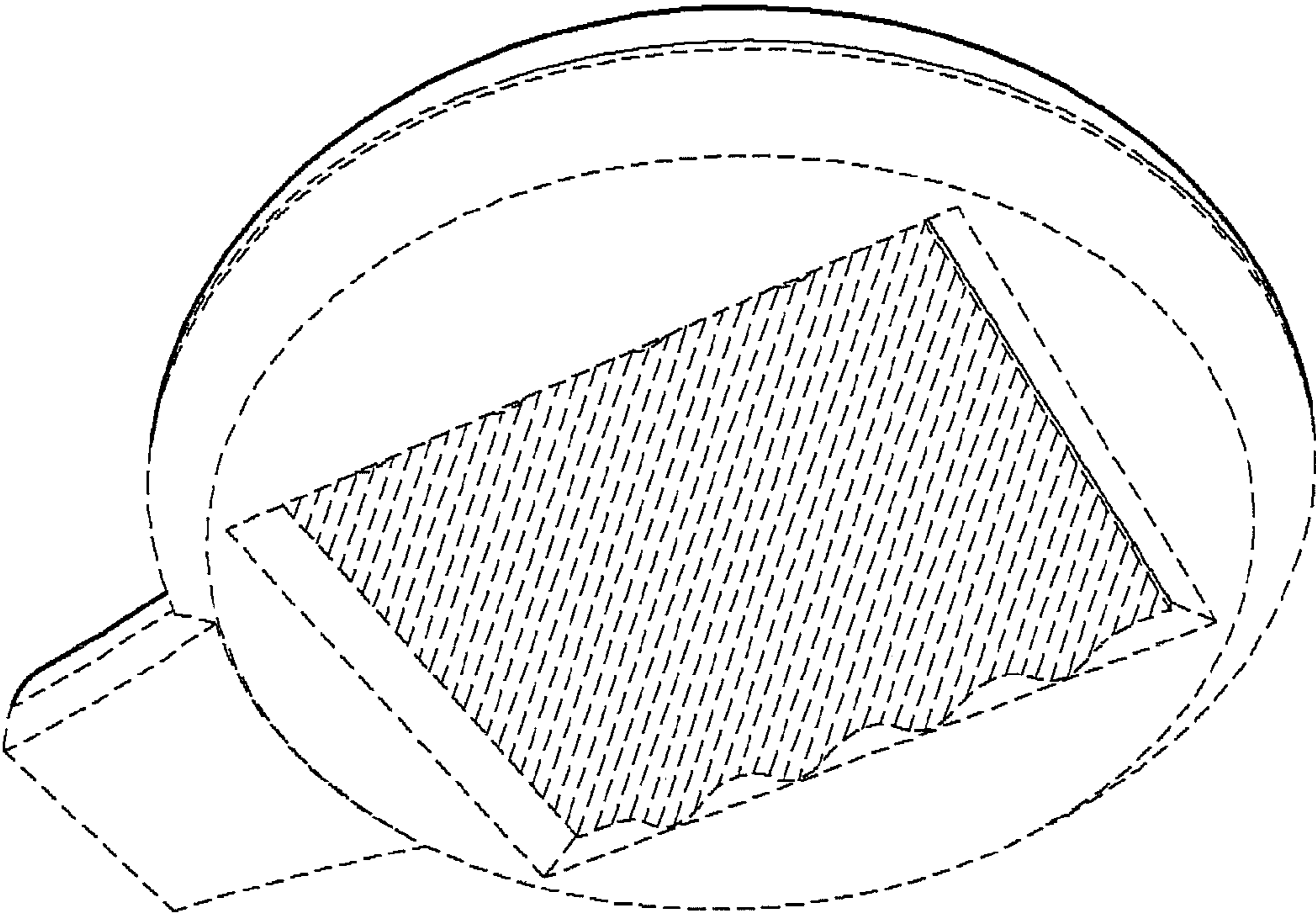


Figure 8



UNITED STATES PATENT AND TRADEMARK OFFICE
CERTIFICATE OF CORRECTION

PATENT NO. : D656,659 S
APPLICATION NO. : 29/376790
DATED : March 27, 2012
INVENTOR(S) : Kyung-Il Kong and Han Gyoul Kim

Page 1 of 1

It is certified that error appears in the above-identified patent and that said Letters Patent is hereby corrected as shown below:

Title page, item (30) Foreign Application Priority Data should read as follows

<u>April 10, 2010</u>	<u>(KR)</u>	<u>30-2010-0015922</u>
<u>April 10, 2010</u>	<u>(KR)</u>	<u>30-2010-0015923</u>
<u>April 10, 2010</u>	<u>(KR)</u>	<u>30-2010-0015924</u>

Signed and Sealed this
Tenth Day of July, 2012



David J. Kappos
Director of the United States Patent and Trademark Office