



US00D656655S

(12) **United States Design Patent**
Wauters

(10) **Patent No.:** **US D656,655 S**
(45) **Date of Patent:** **** Mar. 27, 2012**

(54) **LUMINAIRE**

(75) Inventor: **Tom Wauters**, Mortsel (BE)

(73) Assignee: **Koninklijke Philips Electronics N.V.**,
Eindhoven (NL)

(**) Term: **14 Years**

(21) Appl. No.: **29/393,243**

(22) Filed: **Jun. 1, 2011**

(30) **Foreign Application Priority Data**

Dec. 2, 2010 (EM) 001788845-0006

(51) **LOC (9) Cl.** **26-03**

(52) **U.S. Cl.** **D26/89**

(58) **Field of Classification Search** D26/72,
D26/75, 76, 79, 80, 83, 85, 86, 88, 89, 91,
D26/120, 134-136; 362/147, 294, 351, 356,
362/453-457, 404-408, 432, 249.02
See application file for complete search history.

(56) **References Cited**

U.S. PATENT DOCUMENTS

D30,205 S * 2/1899 Strom D26/113
D31,587 S * 10/1899 Rhind D26/128

D50,131 S * 1/1917 Hoeveler D26/128
2,262,629 A * 11/1941 Wright 362/457
2,807,711 A * 9/1957 McDonald 362/293
3,182,187 A * 5/1965 Gellert 362/366
D383,565 S * 9/1997 Demshki et al. D26/131
D435,683 S * 12/2000 Hoffbauer D26/135
D556,939 S * 12/2007 Gajewski D26/89
D580,092 S * 11/2008 Watkins D26/120
7,611,264 B1 * 11/2009 Chang et al. 362/249.02
D617,485 S * 6/2010 Hamilton et al. D26/67
D643,967 S * 8/2011 Sternotte et al. D26/88

* cited by examiner

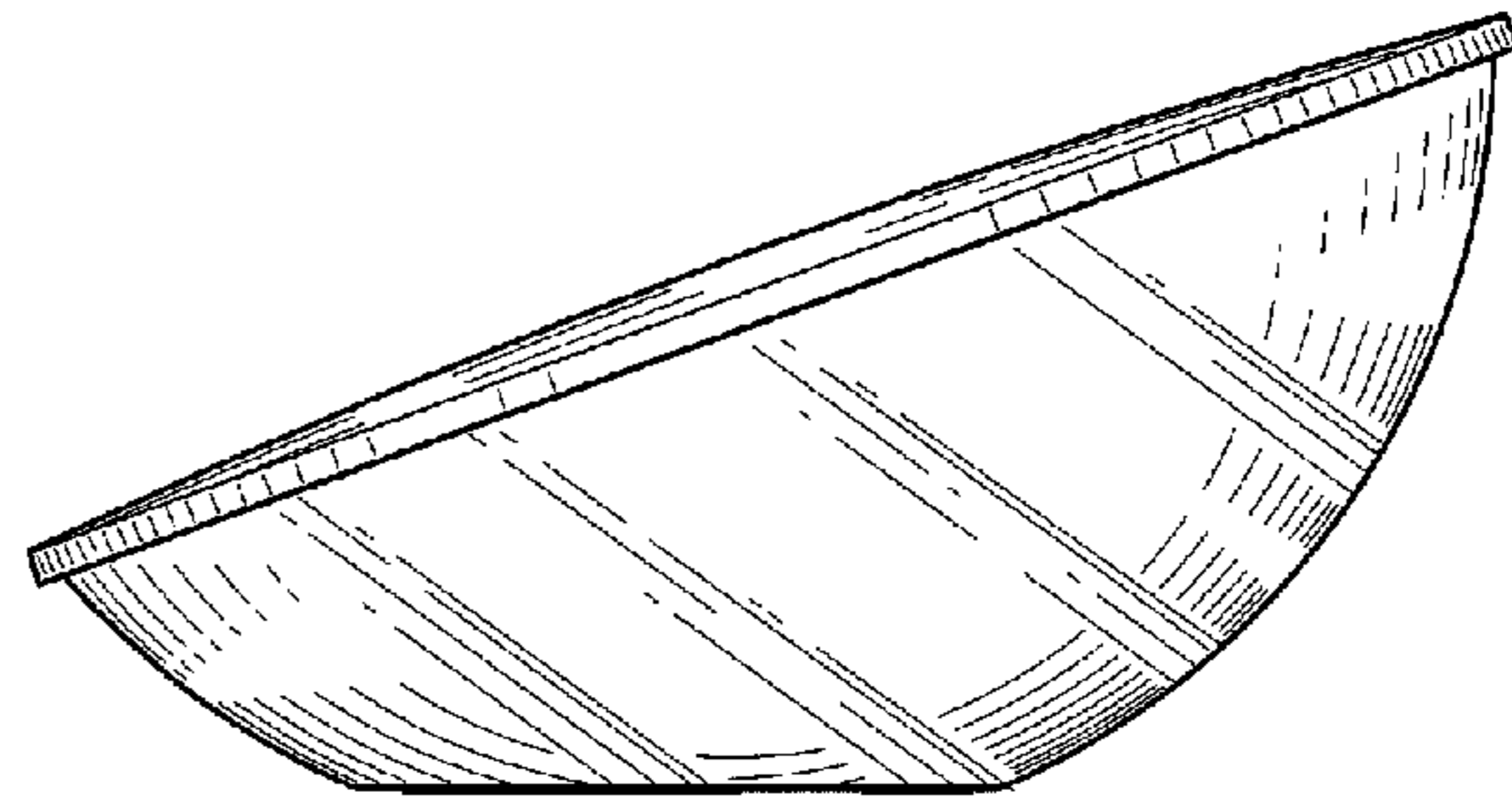
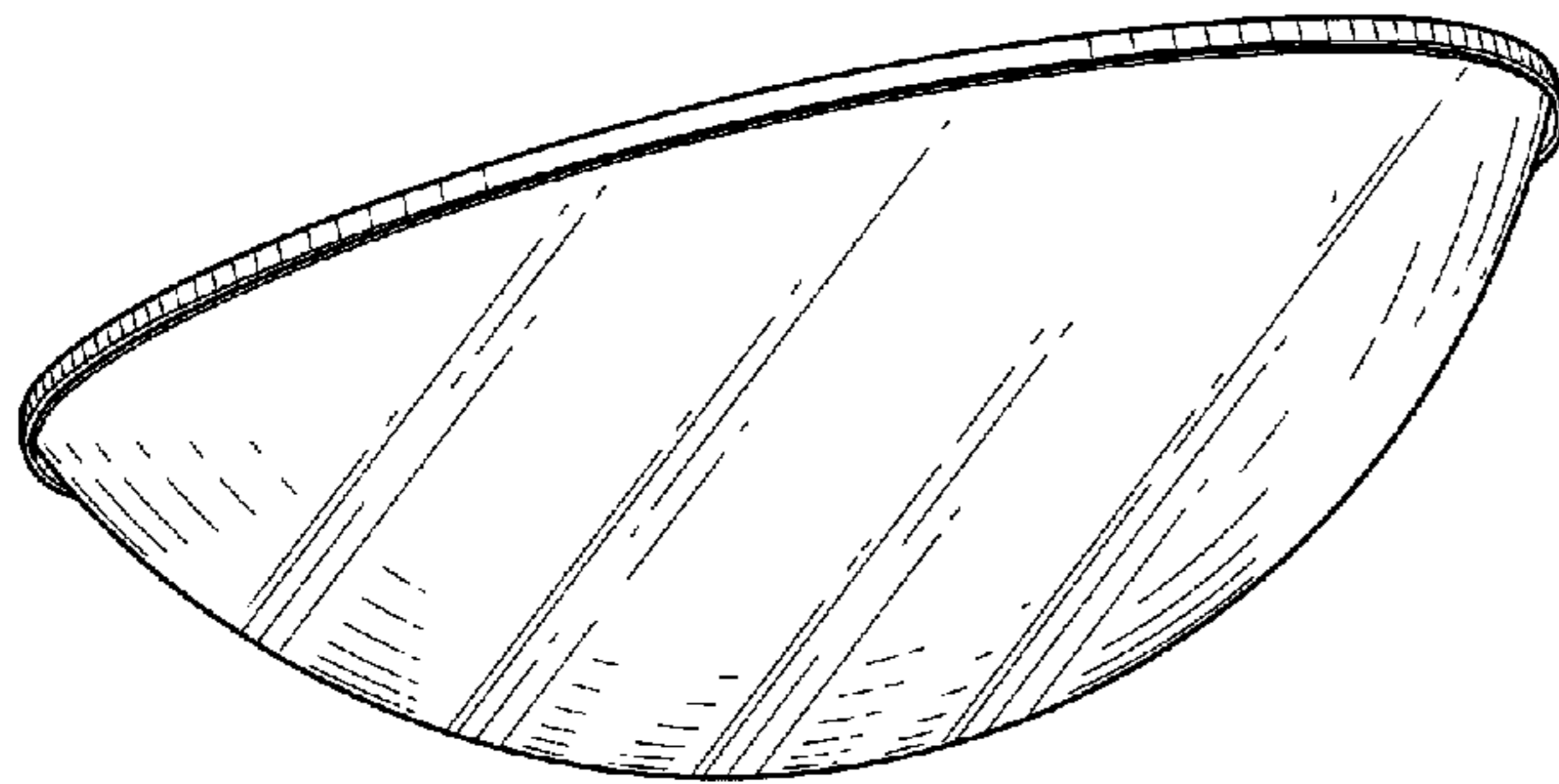
Primary Examiner — Clare E Heflin

(57) **CLAIM**
The ornamental design for a luminaire, as shown.

DESCRIPTION

FIG. 1 is a perspective view showing my design;
FIG. 2 is a front elevational view thereof;
FIG. 3 is a rear elevational view thereof;
FIG. 4 is a right side elevational view thereof;
FIG. 5 is a left side elevational view thereof;
FIG. 6 is a top plan view thereof; and,
FIG. 7 is a bottom plan view thereof.

1 Claim, 5 Drawing Sheets



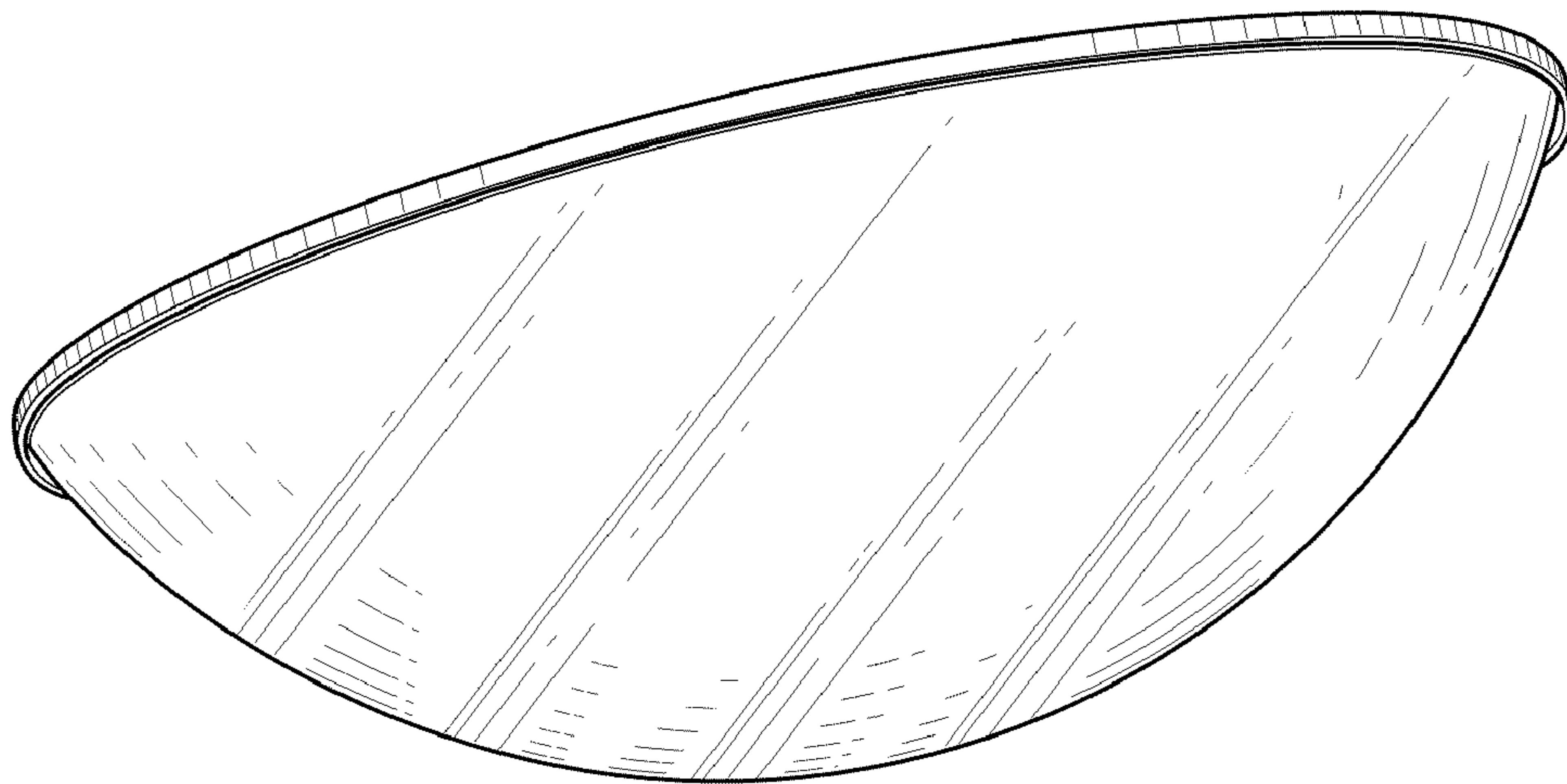


FIG. 1

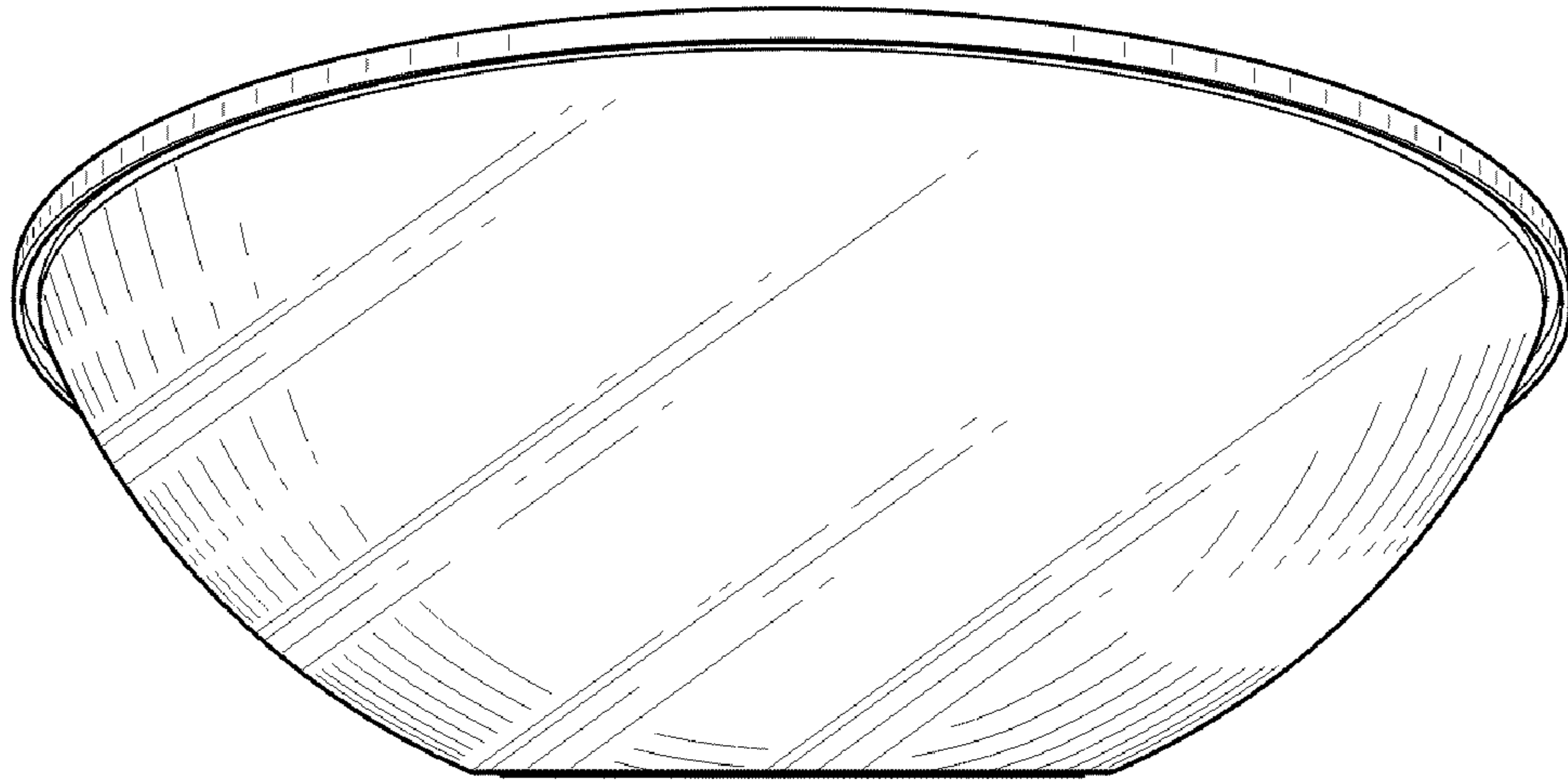


FIG. 2

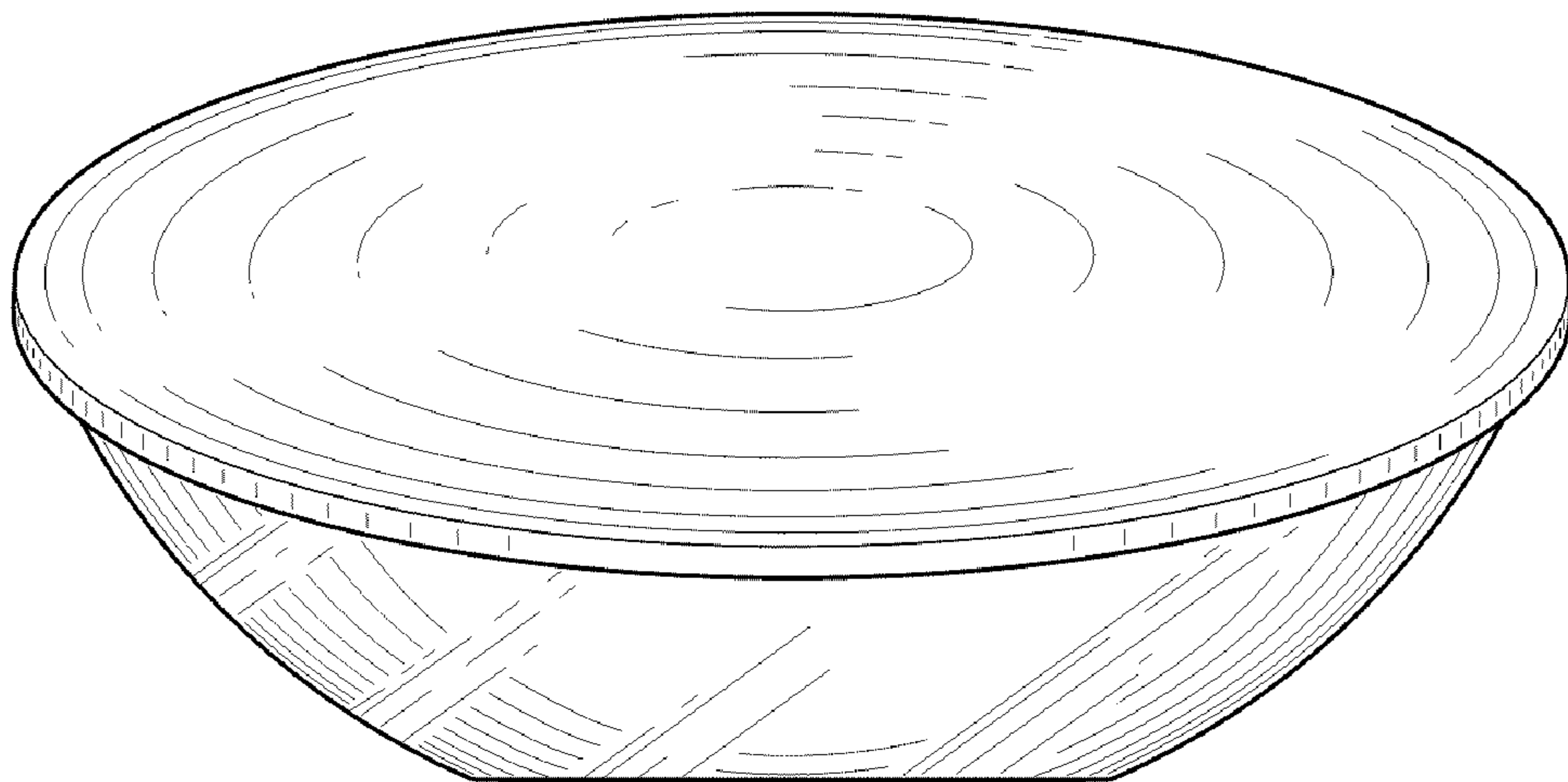


FIG. 3

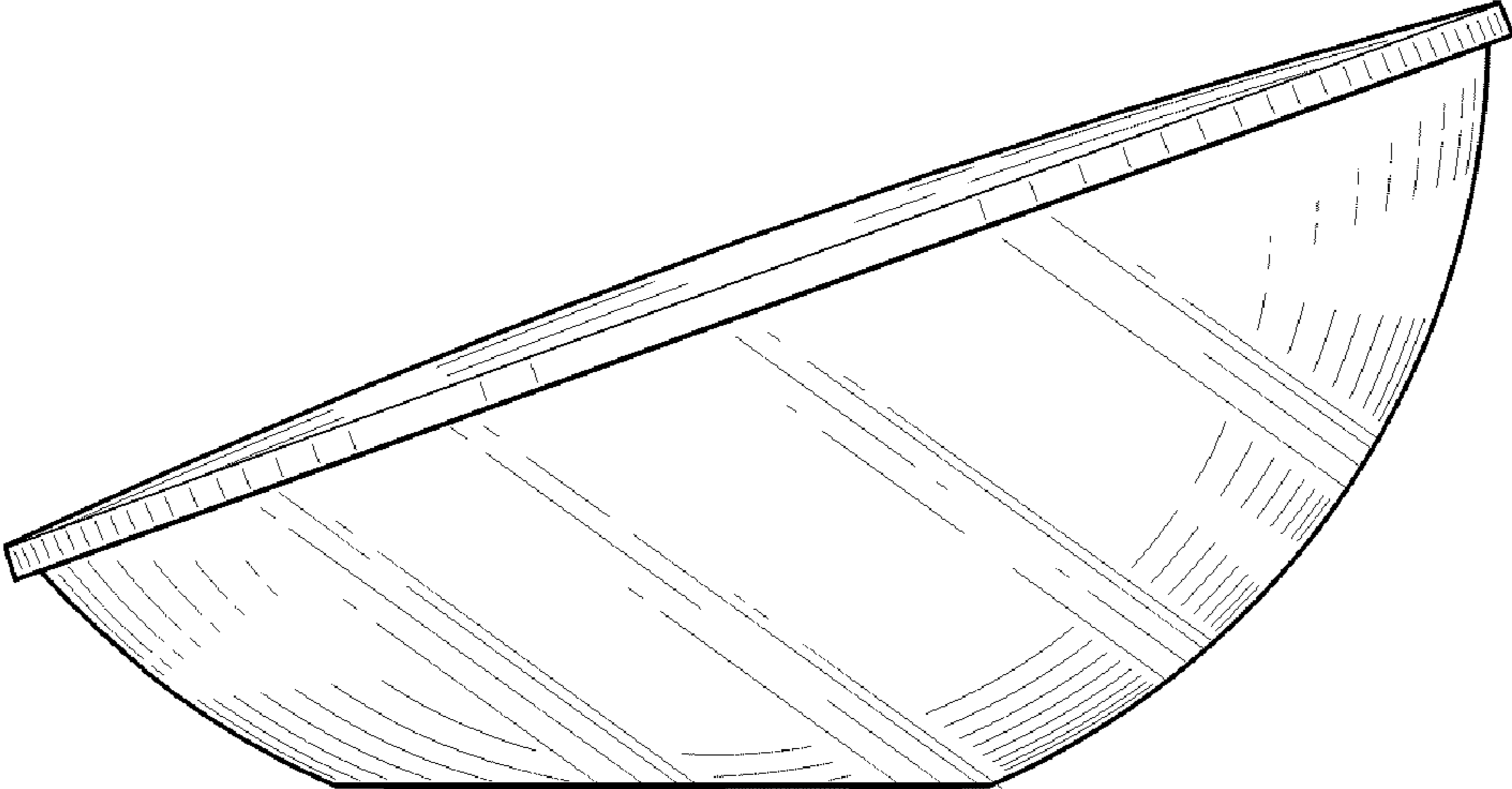


FIG. 4

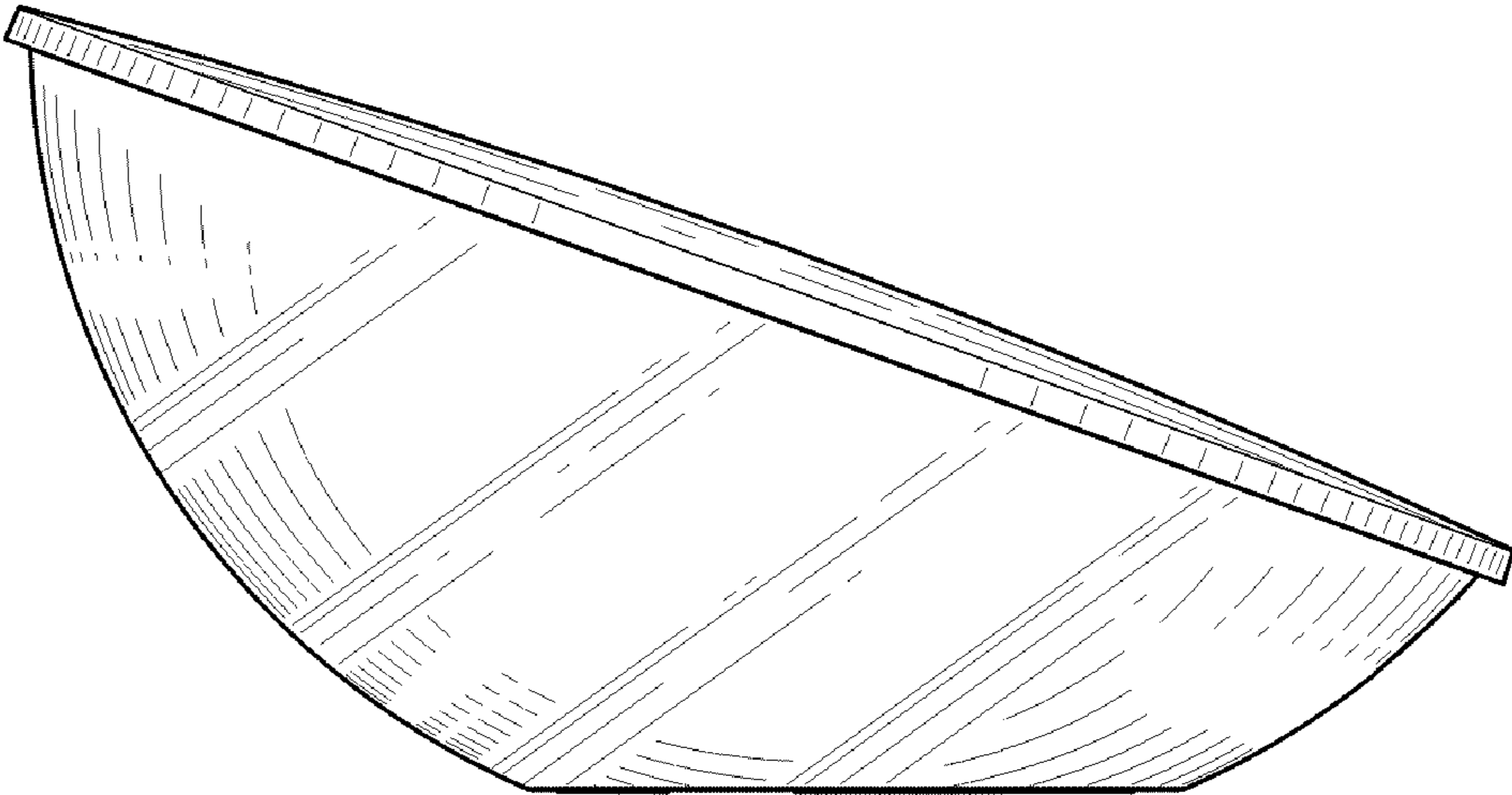


FIG. 5

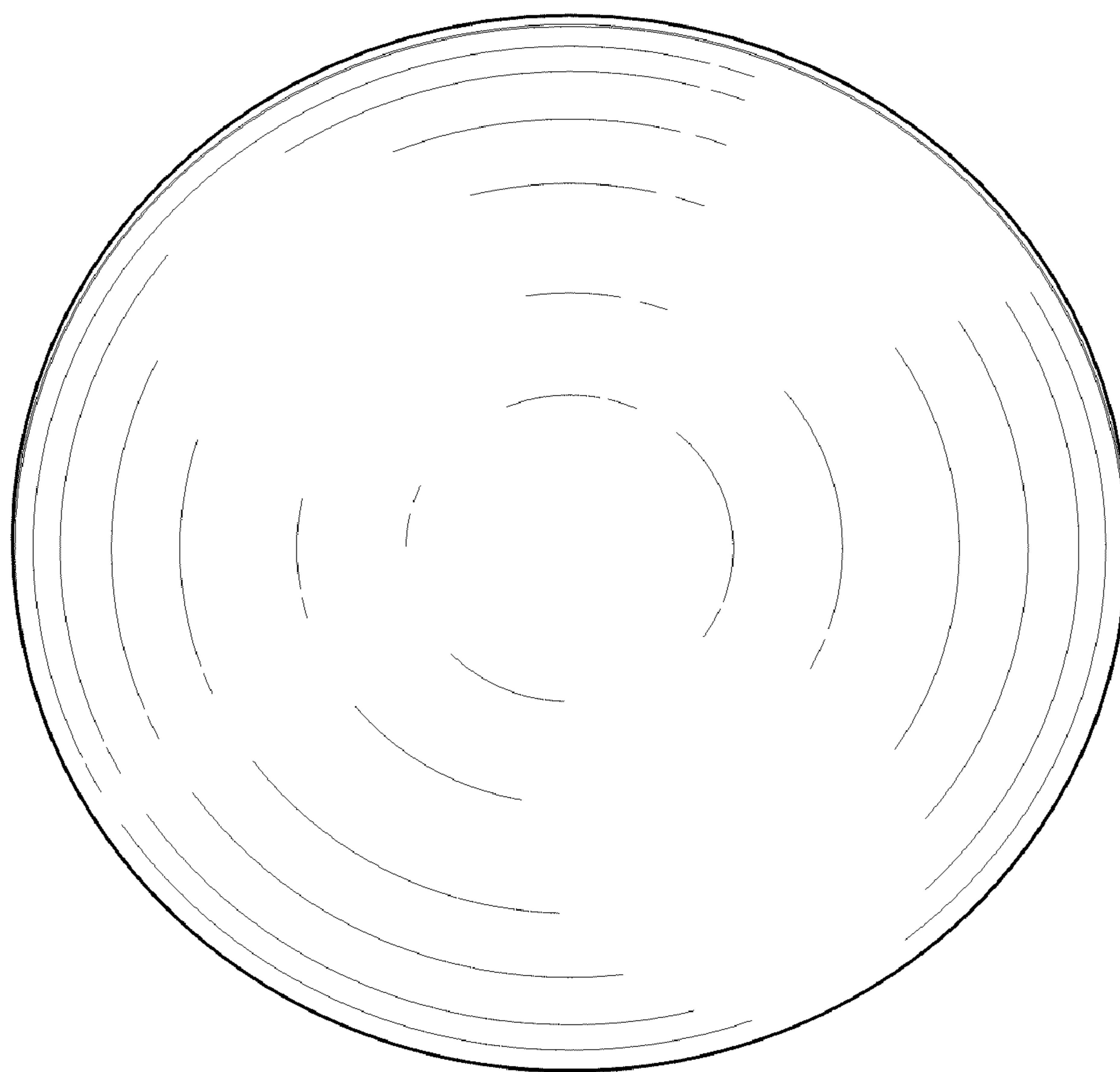


FIG. 6

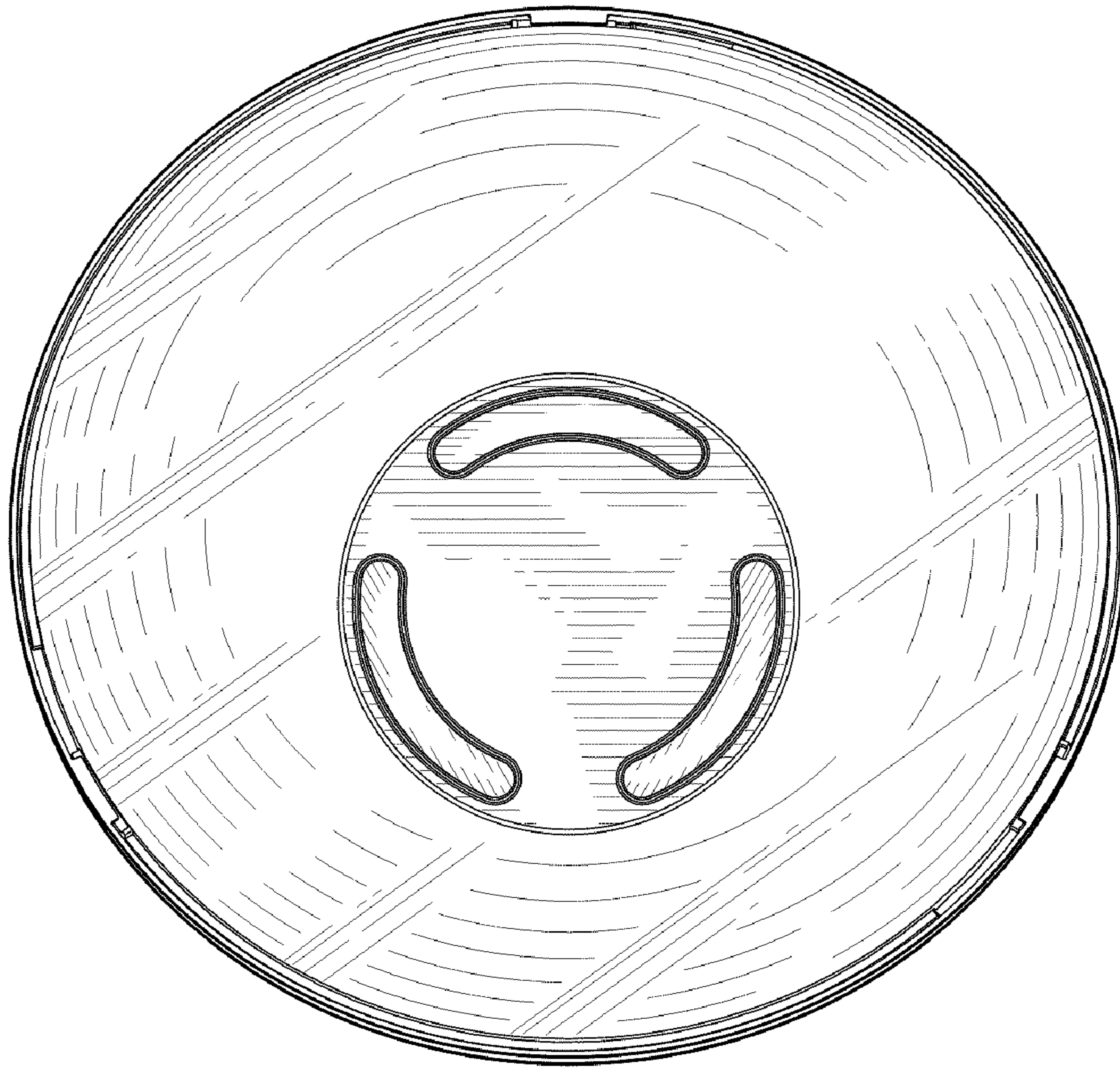


FIG.7