



US00D656651S

(12) **United States Design Patent**
Gorman

(10) **Patent No.:** **US D656,651 S**
(45) **Date of Patent:** **** Mar. 27, 2012**

(54) **LIGHT BULB-SHAPED FLASHLIGHT**

(76) Inventor: **Andrew James Gorman**, Portland, OR (US)

(**) Term: **14 Years**

(21) Appl. No.: **29/398,314**

(22) Filed: **Jul. 28, 2011**

(51) **LOC (9) Cl.** **26-02**

(52) **U.S. Cl.** **D26/47; D3/209**

(58) **Field of Classification Search** D26/37,
D26/38, 39, 42, 44, 45, 46, 48, 50, 51, 47;
362/157, 158, 183-189, 194-208; D3/209

See application file for complete search history.

(56) **References Cited**

U.S. PATENT DOCUMENTS

D375,372 S	11/1996	Allen	
D431,355 S *	10/2000	Boyd, Jr.	D3/209
D455,006 S *	4/2002	Pinchuk	D3/209
D482,469 S *	11/2003	Guerrieri	D26/37
D489,889 S *	5/2004	Zhang	D3/209
D492,050 S *	6/2004	Chung	D26/37
D495,073 S *	8/2004	Kumthampinij et al.	D26/37
6,799,862 B2 *	10/2004	Galli	362/201
D523,235 S *	6/2006	Oas	D3/207
D523,236 S *	6/2006	Martin	D3/209
D525,379 S	7/2006	Maxik	
D538,192 S *	3/2007	Martin	D10/106.1
D622,429 S *	8/2010	Jones	D26/37
D639,465 S *	6/2011	Abernethy et al.	D26/24

OTHER PUBLICATIONS

Oversea Imprint LLC, "M2019 Large light bulb shaped magnetic memo clip holder," webpage, at least as early as Jul. 14, 2011, 1 page.

Flashlight News, "Light Bulb-Shaped Keychain Doubles as Flashlight," webpage, Mar. 19, 2009, 2 pages.

ALIBABA.COM Hong Kong Limited, "led bulb keychain bulb shape key ring bulb flashlight," webpage, 1999-2010, 2 pages.

ALIBABA.COM Hong Kong Limited, "pocket flashlight," webpage, 1999-2010, 2 pages.

* cited by examiner

Primary Examiner — Ian Simmons

Assistant Examiner — Carissa C Fitts

(74) *Attorney, Agent, or Firm* — Law Office of Karen Dana Oster, LLC

(57) **CLAIM**

I claim the ornamental design for a light bulb-shaped flashlight, as shown and described.

DESCRIPTION

FIG. 1 is a perspective view of a light bulb-shaped flashlight.

FIG. 2 is a front view of the light bulb-shaped flashlight.

FIG. 3 is a back view of the light bulb-shaped flashlight.

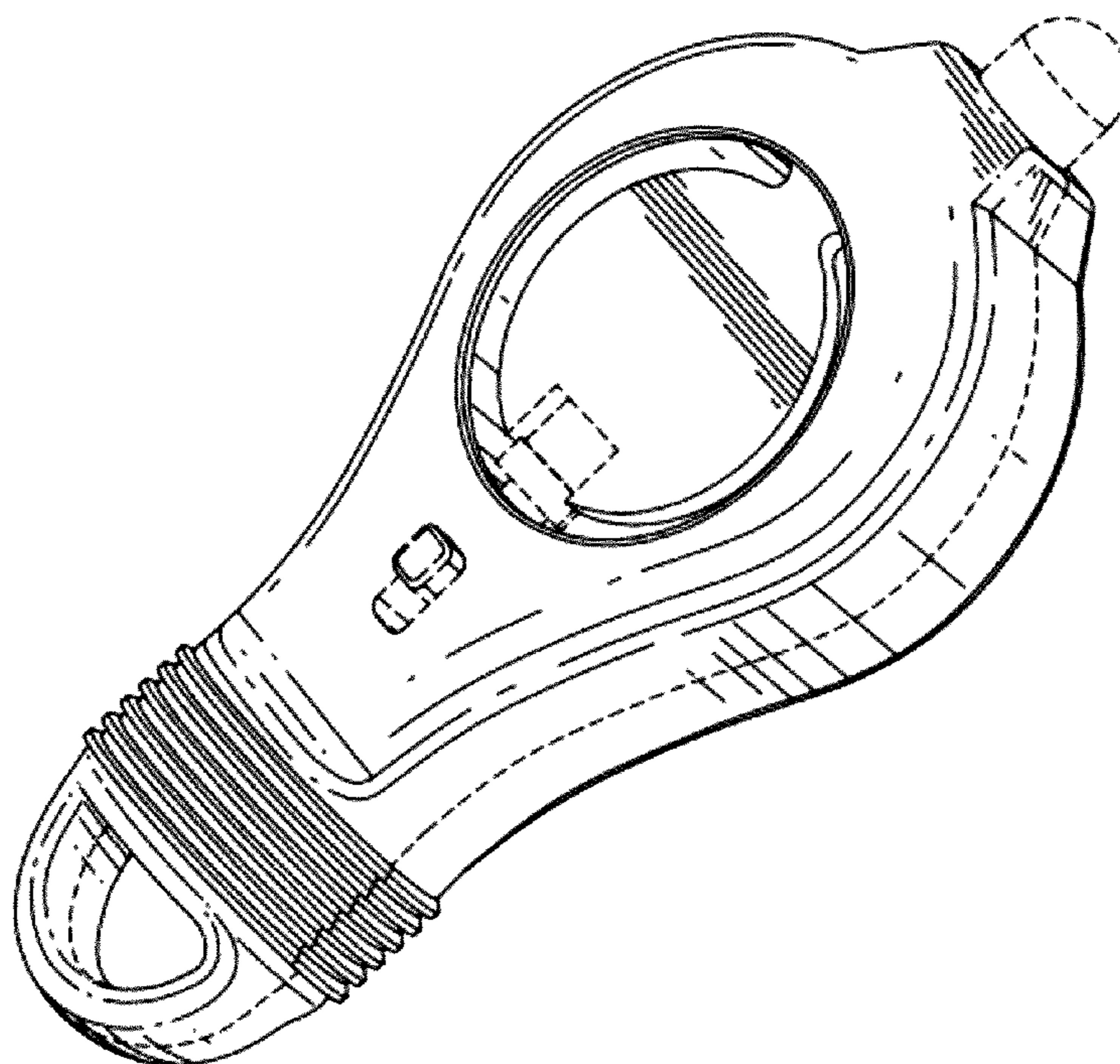
FIG. 4 is a first side view of the light bulb-shaped flashlight.

FIG. 5 is a second side view of the light bulb-shaped flashlight.

FIG. 6 is a top view of the light bulb-shaped flashlight; and, FIG. 7 is a bottom view of the light bulb-shaped flashlight.

The bulb, the activation switch, the annular edge dividing line, the components under the push tab, and other components that are shown in broken lines form no part of the claimed design.

1 Claim, 4 Drawing Sheets



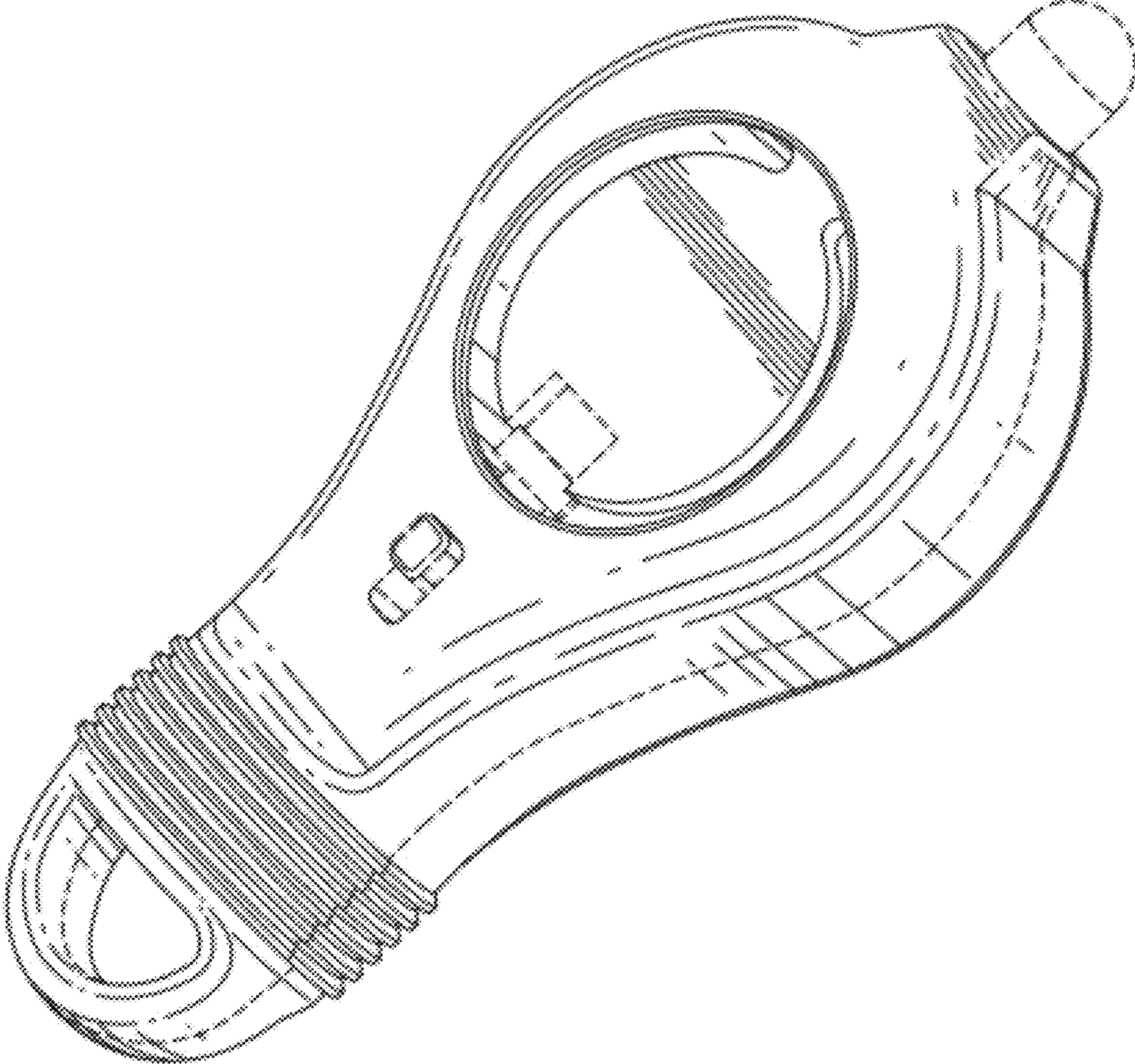


FIG. 1

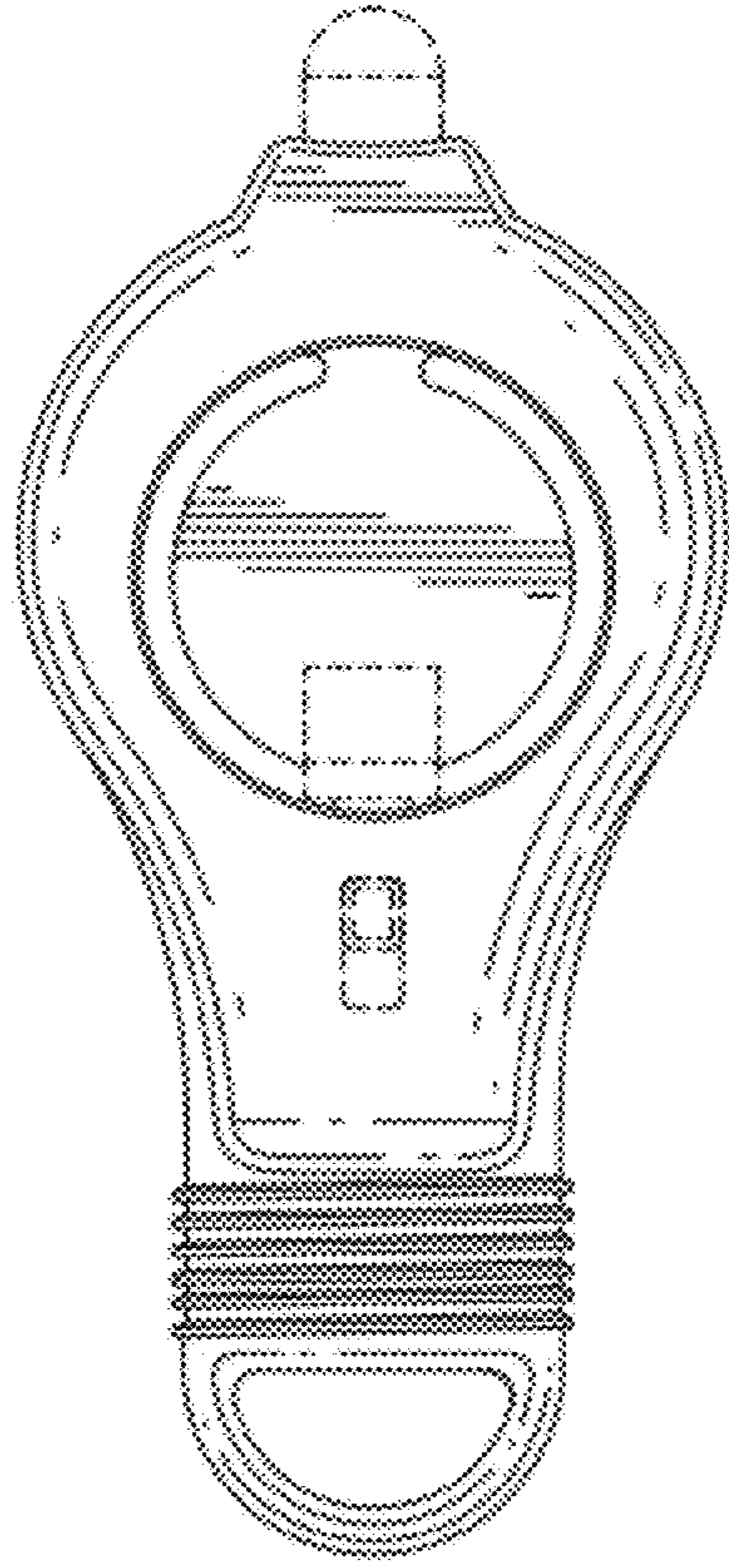


FIG. 2

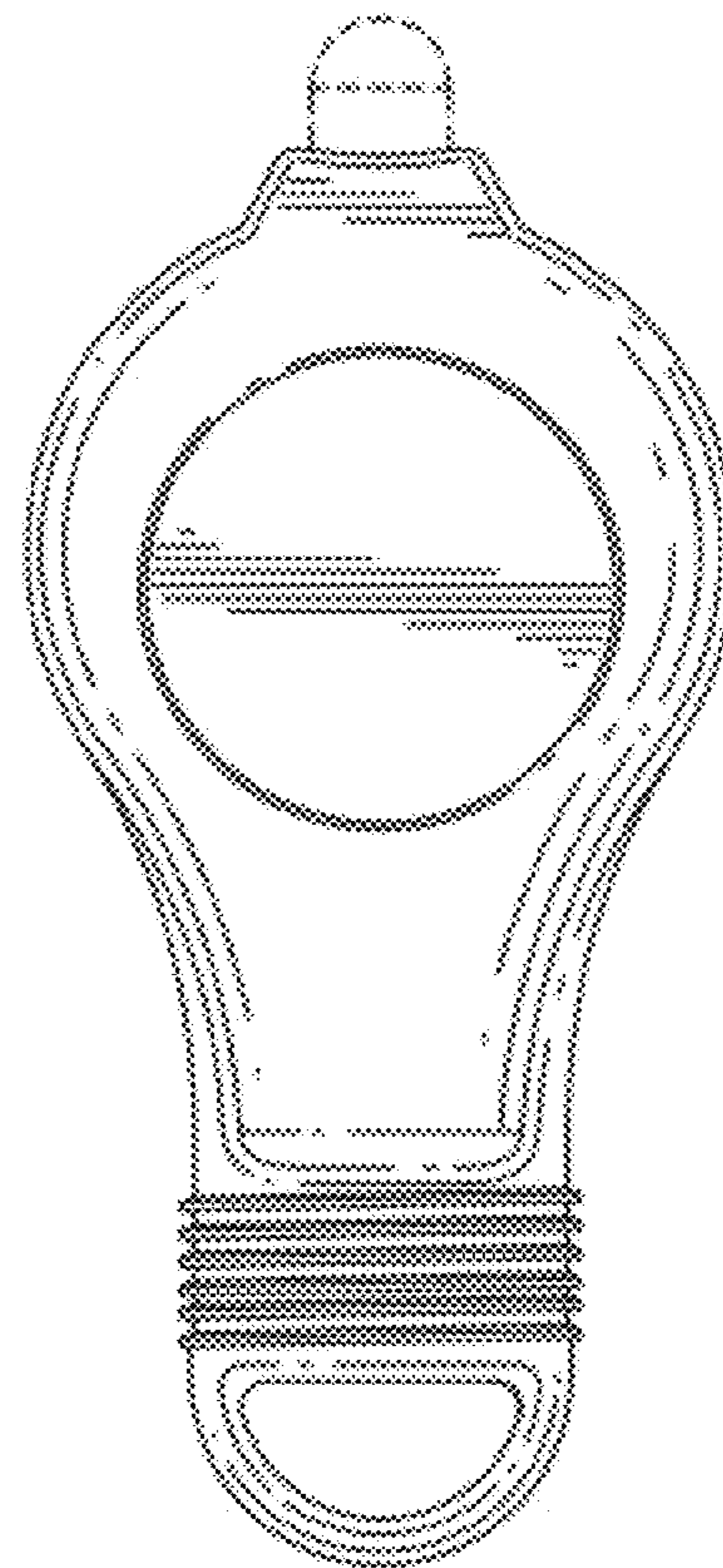


FIG. 3

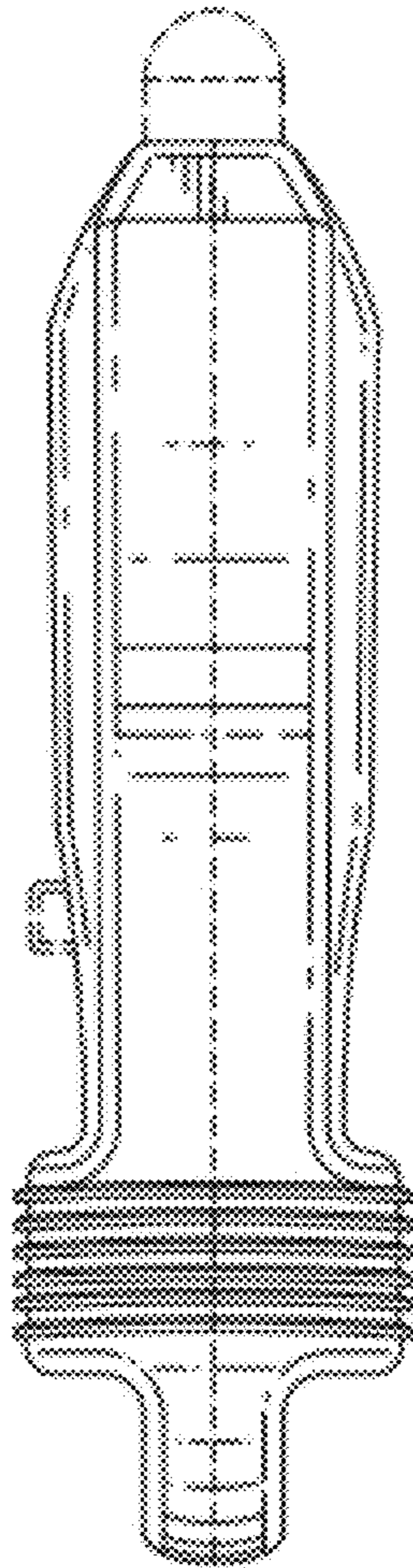


FIG. 4

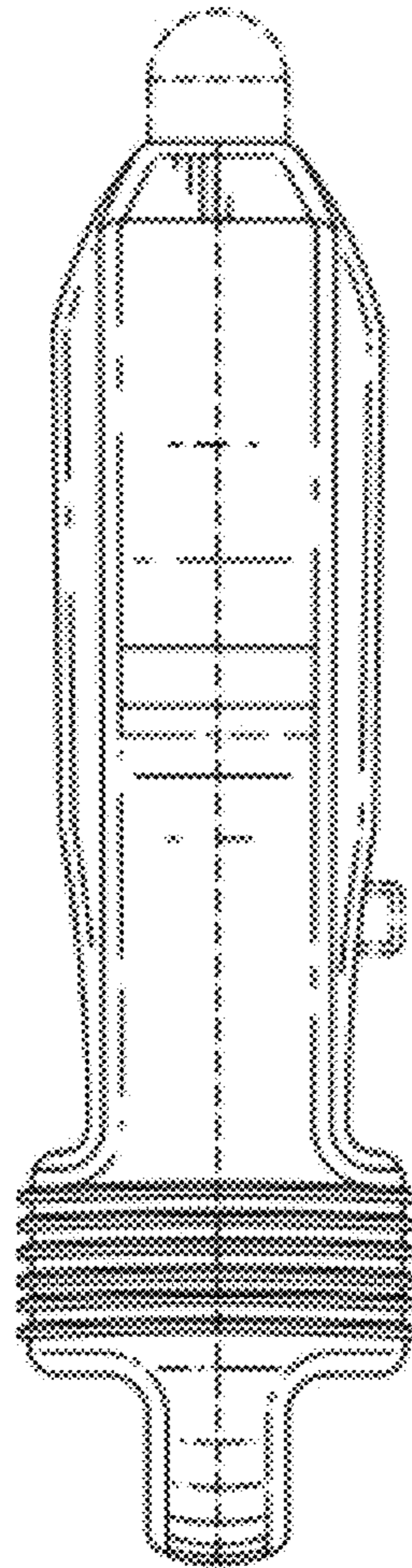


FIG. 5

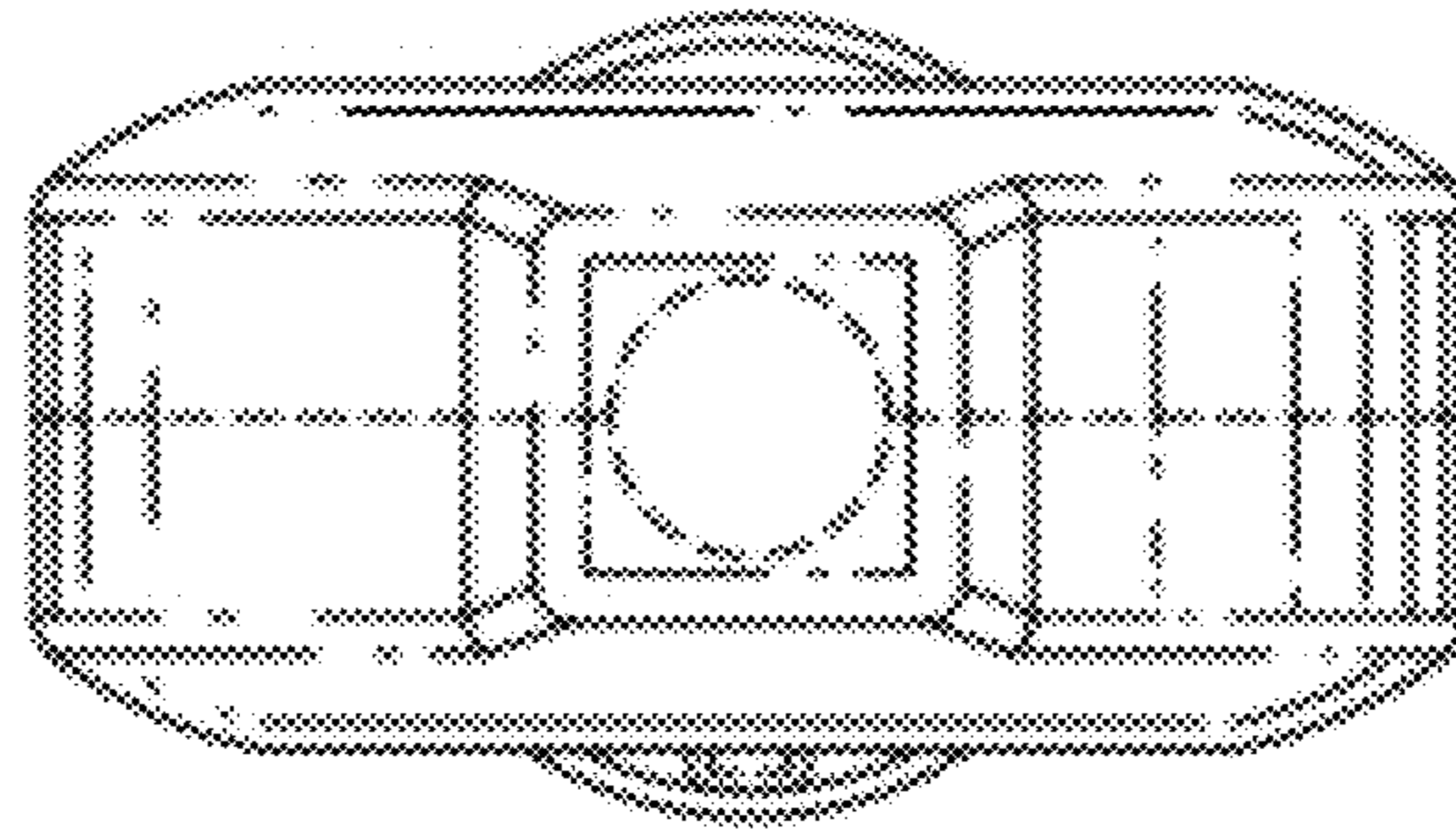


FIG. 6

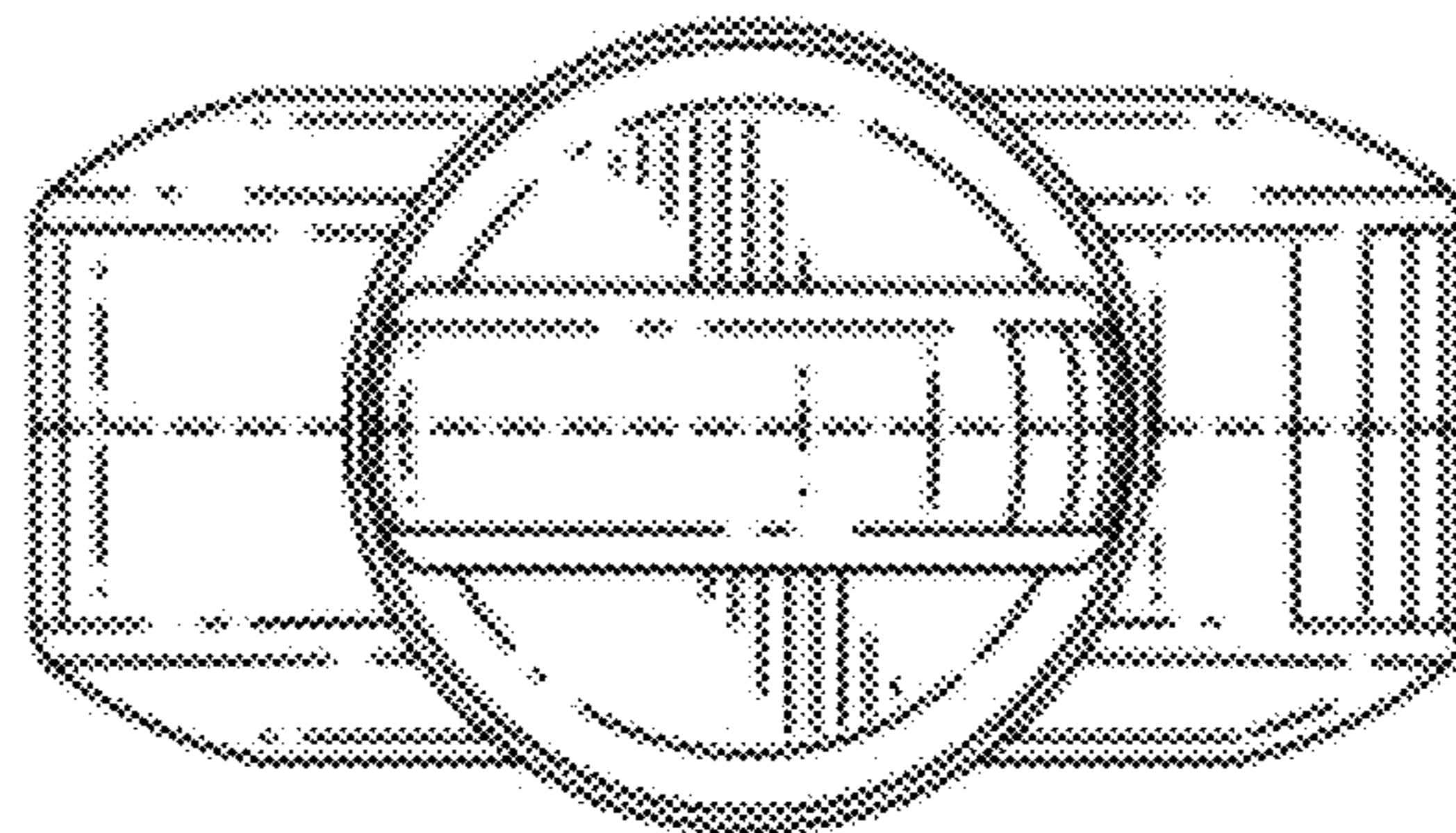


FIG. 7