



US00D656650S

(12) **United States Design Patent**  
**Yeh**

(10) **Patent No.:** **US D656,650 S**

(45) **Date of Patent:** **\*\* Mar. 27, 2012**

(54) **FLASHLIGHT**

(75) Inventor: **Hsueh-Chu Yeh**, Tainan (TW)

(73) Assignee: **Day Sun Industrial Corp.**, Tainan (TW)

(\*\*) Term: **14 Years**

(21) Appl. No.: **29/399,253**

(22) Filed: **Aug. 11, 2011**

(51) **LOC (9) Cl.** ..... **26-02**

(52) **U.S. Cl.** ..... **D26/46**

(58) **Field of Classification Search** ..... D26/37,  
D26/38, 39, 40, 45, 46, 49; 362/157, 158,  
362/183, 184, 190, 194-196, 202-208

See application file for complete search history.

(56) **References Cited**

**U.S. PATENT DOCUMENTS**

D331,118 S *	11/1992	Yeung	.....	D26/49
D336,965 S *	6/1993	Yau	.....	D26/49
D386,269 S *	11/1997	Lam	.....	D26/37
D445,934 S *	7/2001	Dalton et al.	.....	D26/49
D449,703 S *	10/2001	Dalton et al.	.....	D26/49
D452,025 S *	12/2001	Poon	.....	D26/49
D592,339 S *	5/2009	Crawford et al.	.....	D26/37
D601,284 S *	9/2009	Schonenbach	.....	D26/46
D632,411 S *	2/2011	Vanderbeek	.....	D26/48
D641,509 S *	7/2011	Wang	.....	D26/46

D641,510 S *	7/2011	Wang	.....	D26/46
D641,511 S *	7/2011	Wang	.....	D26/46
D641,512 S *	7/2011	Wang	.....	D26/46
D644,365 S *	8/2011	Yuen	.....	D26/49
D650,503 S *	12/2011	Wang	.....	D26/46

\* cited by examiner

*Primary Examiner* — Ian Simmons

*Assistant Examiner* — Carissa C Fitts

(74) *Attorney, Agent, or Firm* — Alan Kamrath; Kamrath IP Lawfirm, PA

(57) **CLAIM**

The ornamental design for a flashlight, as shown and described.

**DESCRIPTION**

FIG. 1 is a perspective view of a flashlight showing my new design;

FIG. 2 is a front side elevational view thereof;

FIG. 3 is a rear side elevational view thereof;

FIG. 4 is a left side elevational view thereof;

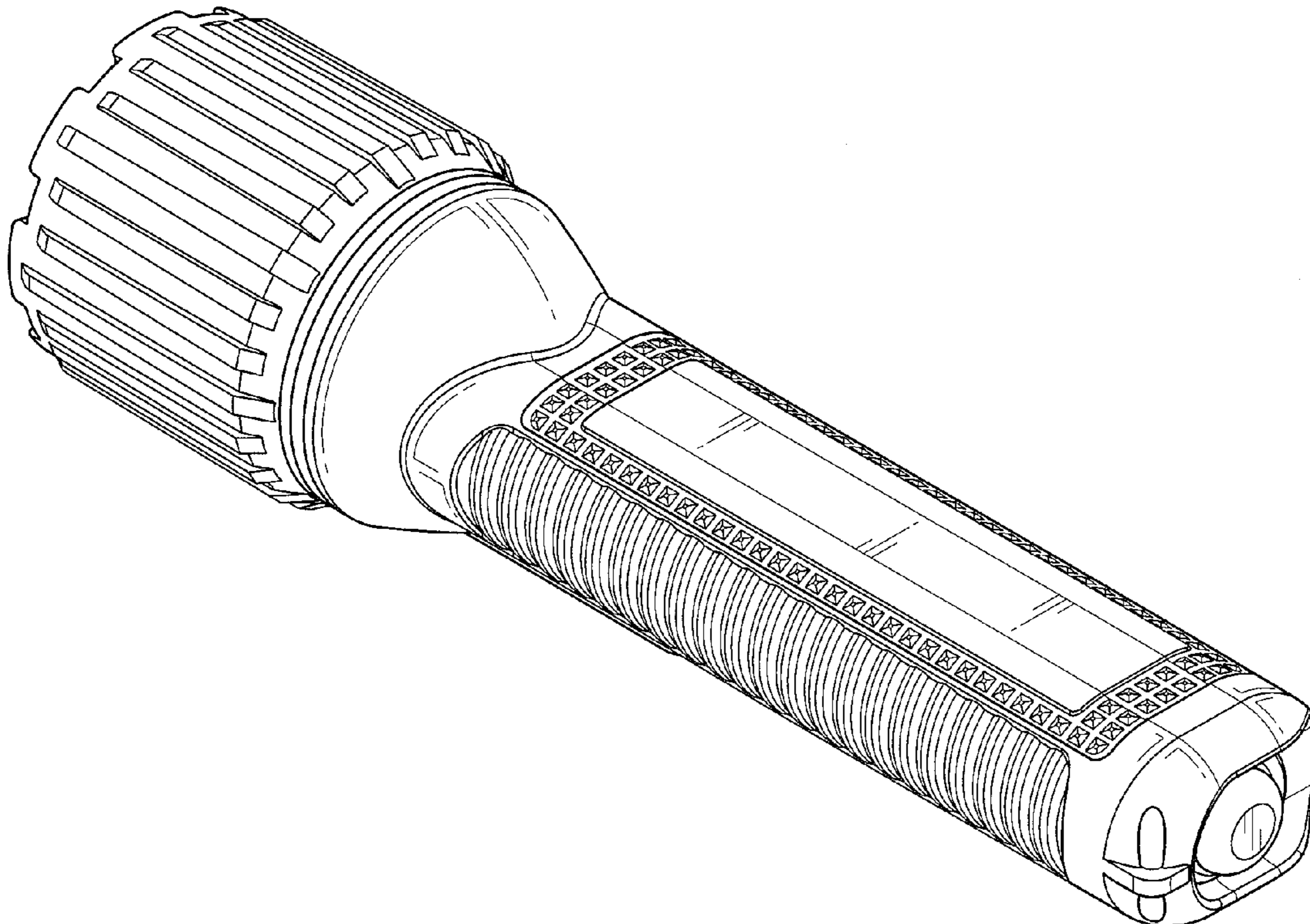
FIG. 5 is a right side elevational view thereof;

FIG. 6 is a top plan view thereof; and,

FIG. 7 is a bottom plan view thereof.

The broken line showing is for environmental purposes only and forms no part of the claimed design.

**1 Claim, 6 Drawing Sheets**



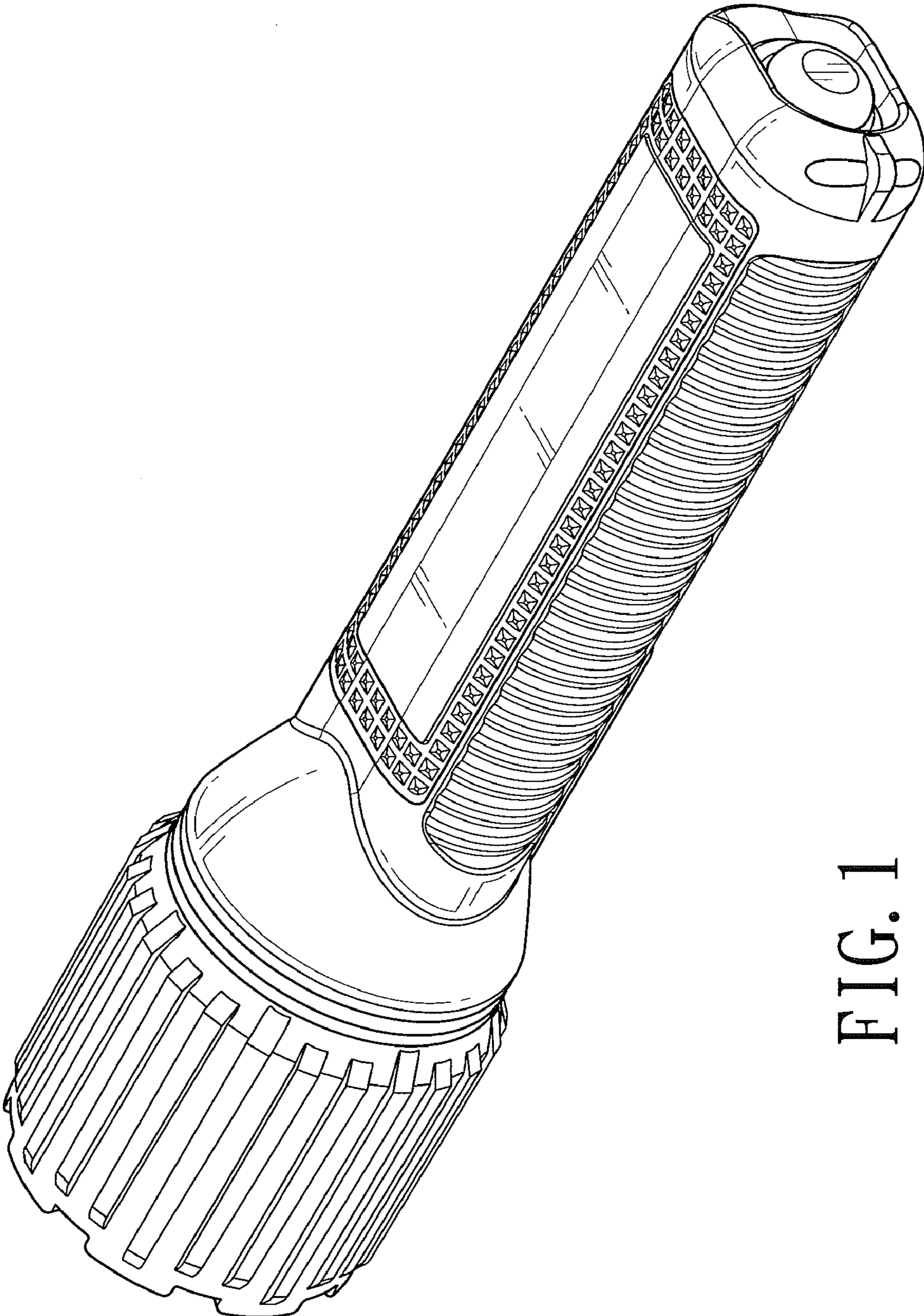


FIG. 1

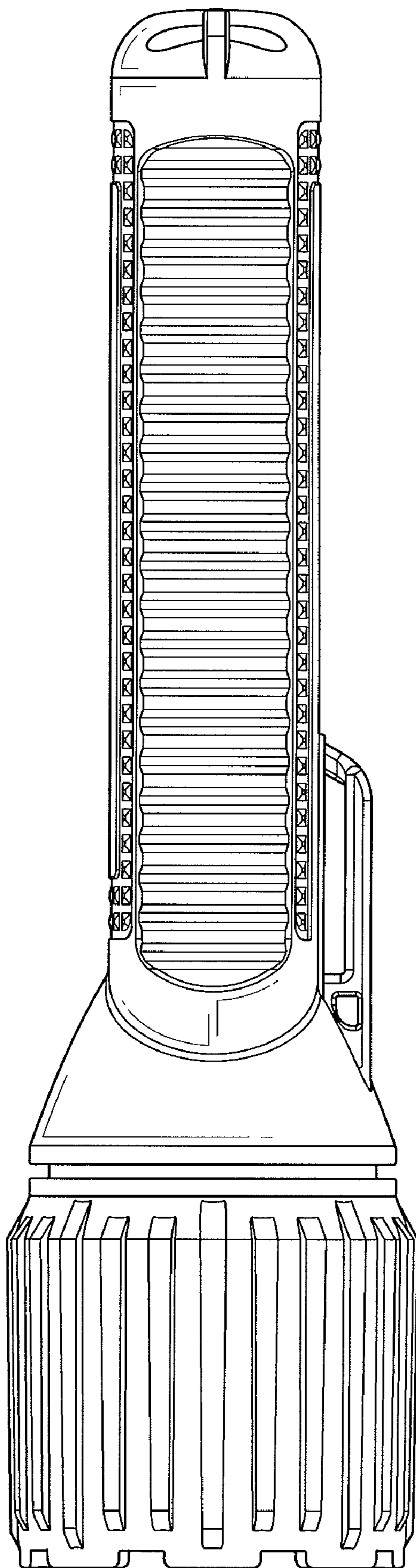


FIG. 2

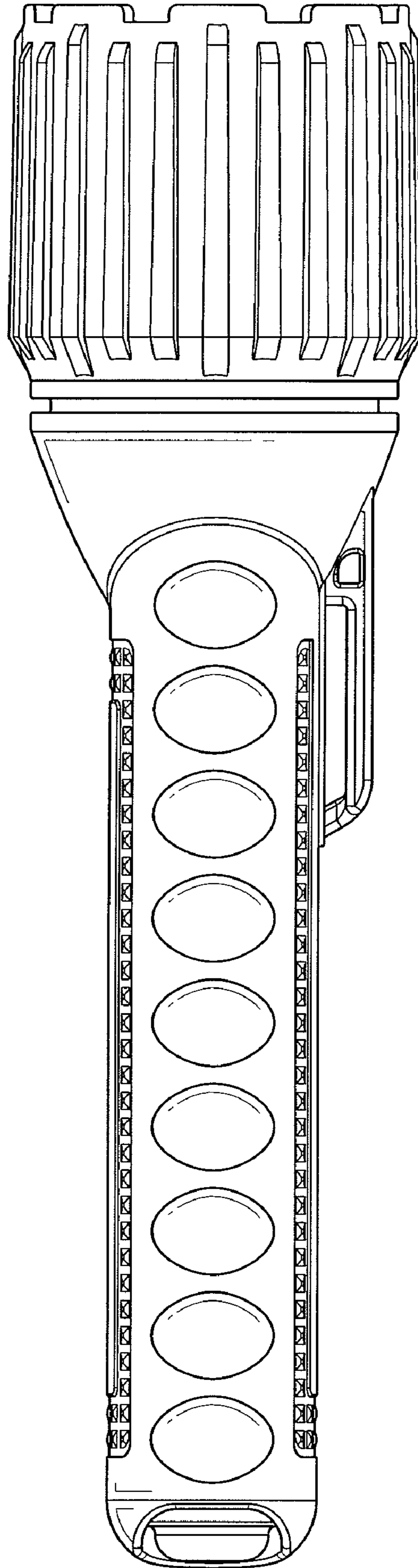


FIG. 3

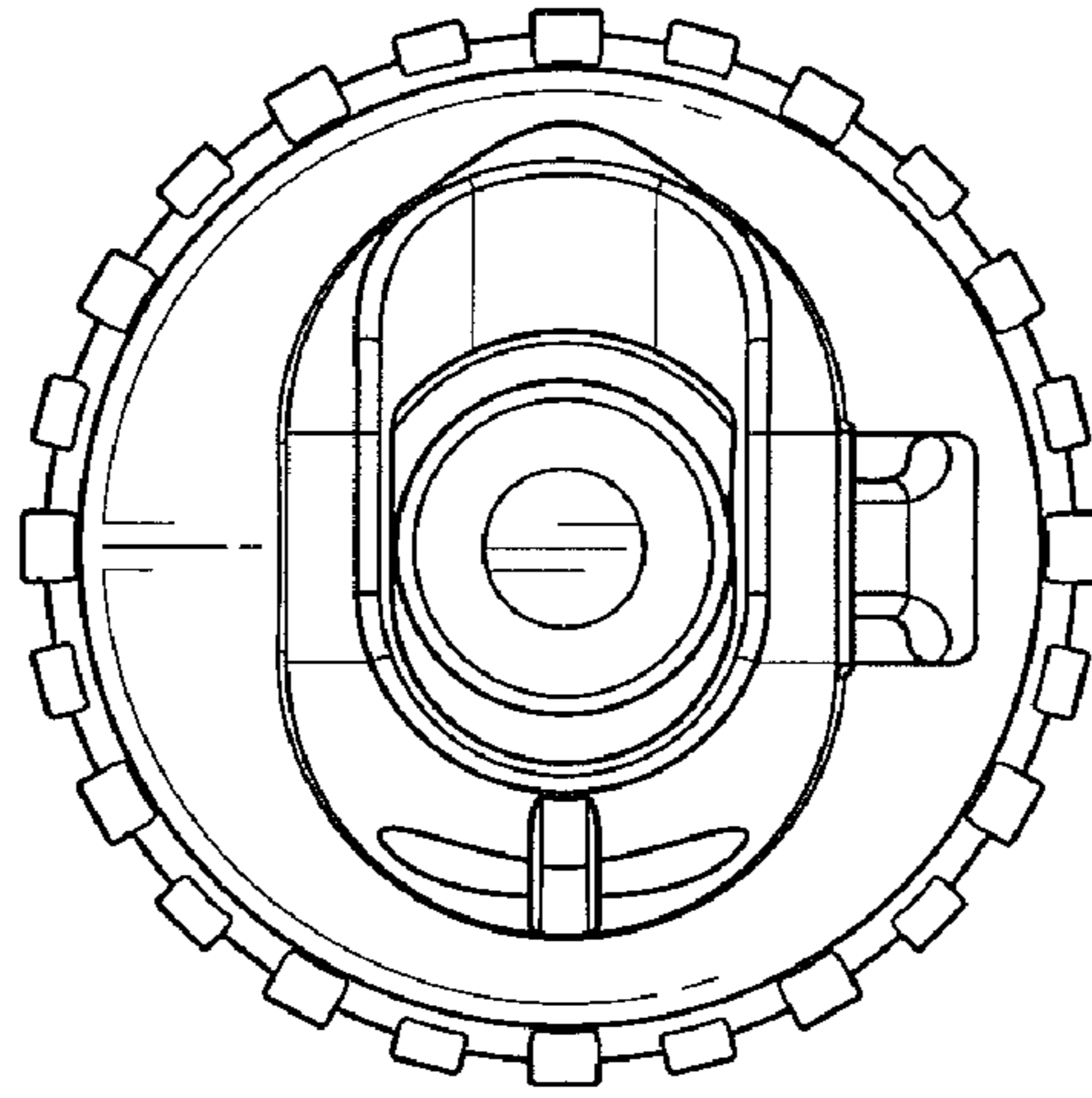


FIG. 5

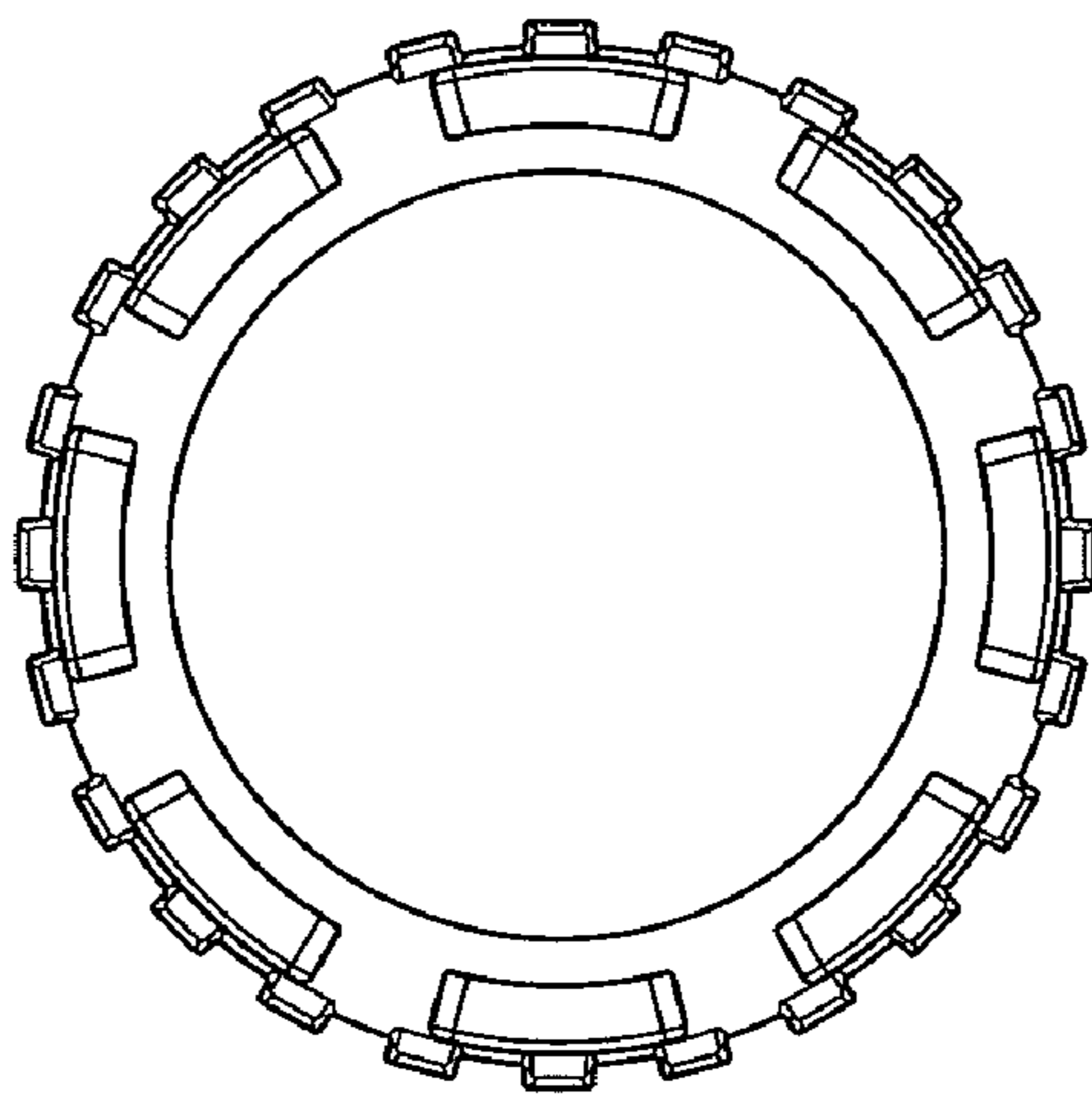


FIG. 4

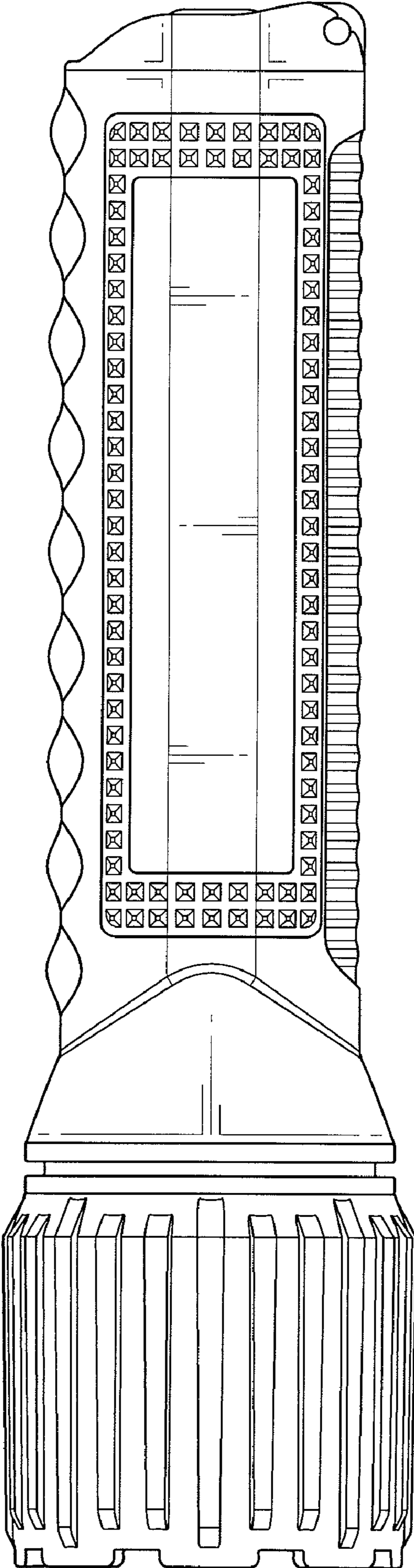


FIG. 6

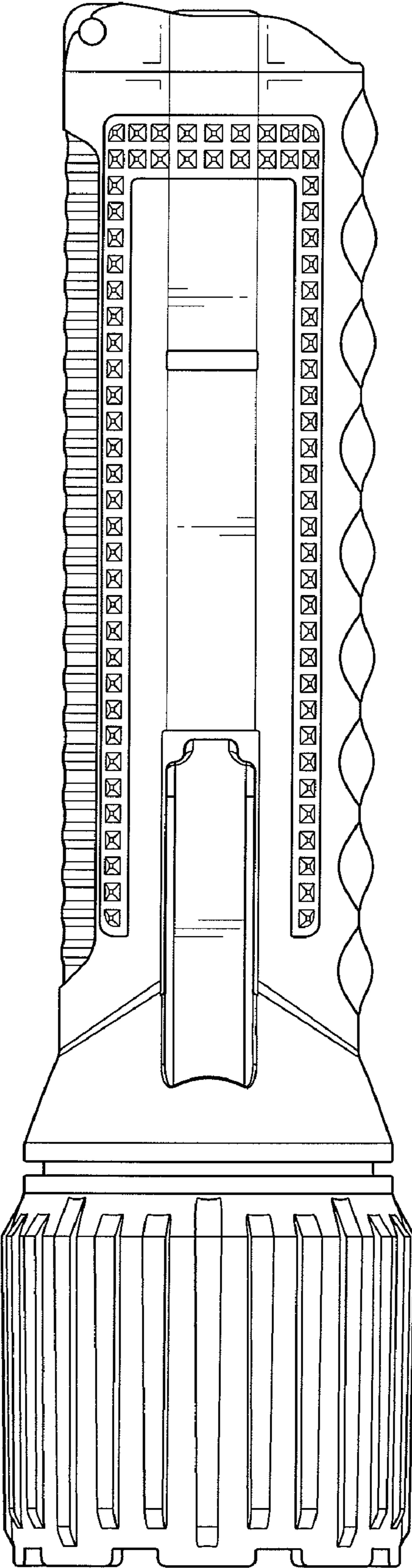


FIG. 7