



US00D656649S

(12) **United States Design Patent**
Yeh

(10) **Patent No.:** **US D656,649 S**

(45) **Date of Patent:** **** Mar. 27, 2012**

(54) **FLASHLIGHT**

(75) **Inventor:** **Hsueh-Chu Yeh, Tainan (TW)**

(73) **Assignee:** **Day Sun Industrial Corp., Tainan (TW)**

(**) **Term:** **14 Years**

(21) **Appl. No.:** **29/399,252**

(22) **Filed:** **Aug. 11, 2011**

(51) **LOC (9) Cl.** **26-02**

(52) **U.S. Cl.** **D26/46**

(58) **Field of Classification Search** D26/37,
D26/38, 39, 40, 45, 46, 49; 362/157, 158,
362/183, 184, 190, 194-196, 202-208

See application file for complete search history.

(56) **References Cited**

U.S. PATENT DOCUMENTS

D308,257 S *	5/1990	Staubitz et al.	D26/49
D331,118 S *	11/1992	Yeung	D26/49
D445,934 S *	7/2001	Dalton et al.	D26/49
D447,259 S *	8/2001	Lynch et al.	D26/49
D449,703 S *	10/2001	Dalton et al.	D26/49
D452,025 S *	12/2001	Poon	D26/49
D504,740 S *	5/2005	Dalton et al.	D26/49
D504,971 S *	5/2005	Dalton et al.	D26/49
D601,284 S *	9/2009	Schonenbach	D26/46

D641,509 S *	7/2011	Wang	D26/46
D641,510 S *	7/2011	Wang	D26/46
D641,512 S *	7/2011	Wang	D26/46
D644,365 S *	8/2011	Yuen	D26/49
D650,503 S *	12/2011	Wang	D26/46

* cited by examiner

Primary Examiner — Ian Simmons

Assistant Examiner — Carissa C Fitts

(74) *Attorney, Agent, or Firm* — Alan Kamrath; Kamrath IP Lawfirm, PA

(57) **CLAIM**

The ornamental design for a flashlight, as shown and described.

DESCRIPTION

FIG. 1 is a perspective view of a flashlight showing my new design;

FIG. 2 is a front side elevational view thereof;

FIG. 3 is a rear side elevational view thereof;

FIG. 4 is a left side elevational view thereof;

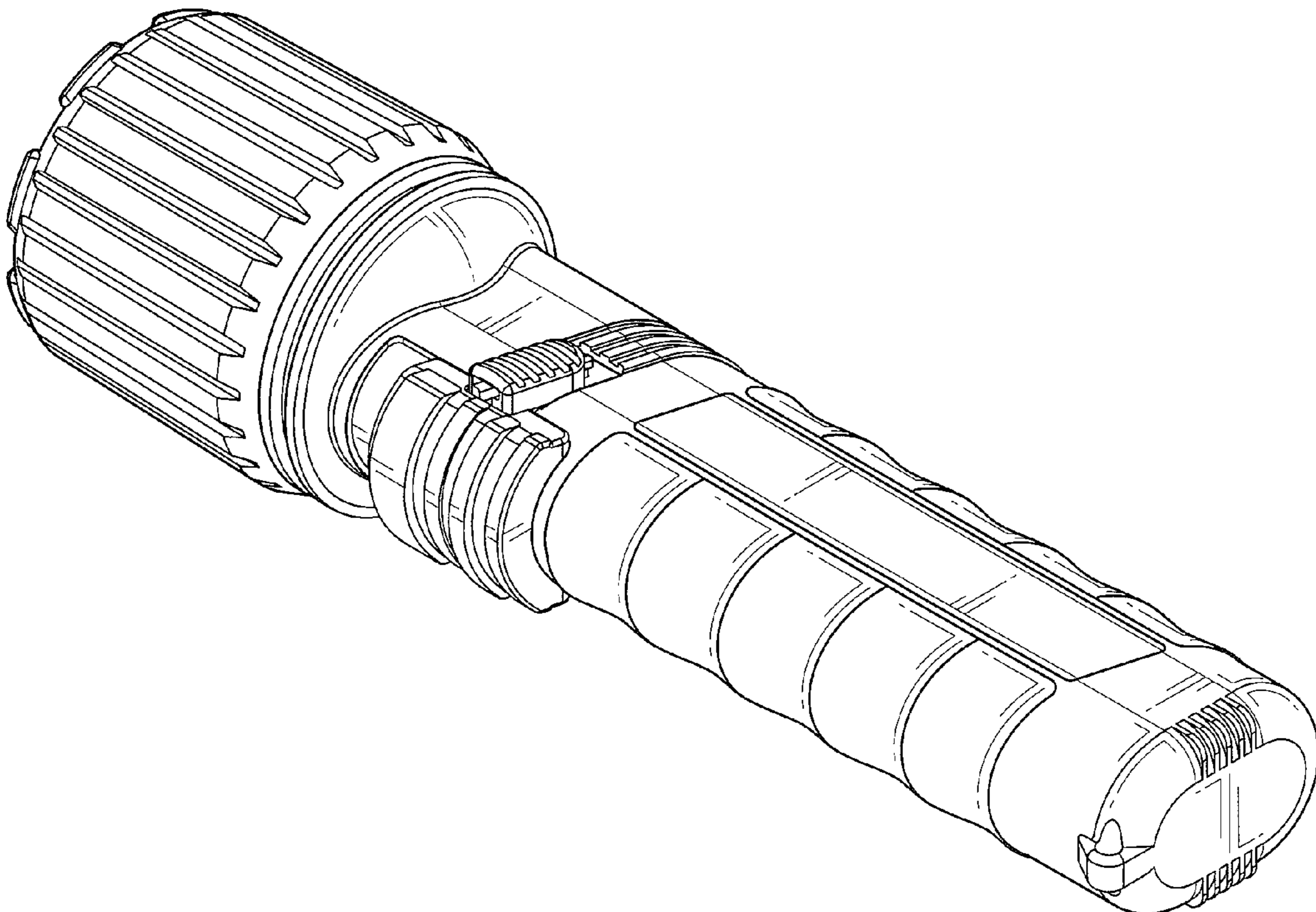
FIG. 5 is a right side elevational view thereof;

FIG. 6 is a top plan view thereof; and,

FIG. 7 is a bottom plan view thereof.

The broken line showing is for environmental purposes only and forms no part of the claimed design.

1 Claim, 6 Drawing Sheets



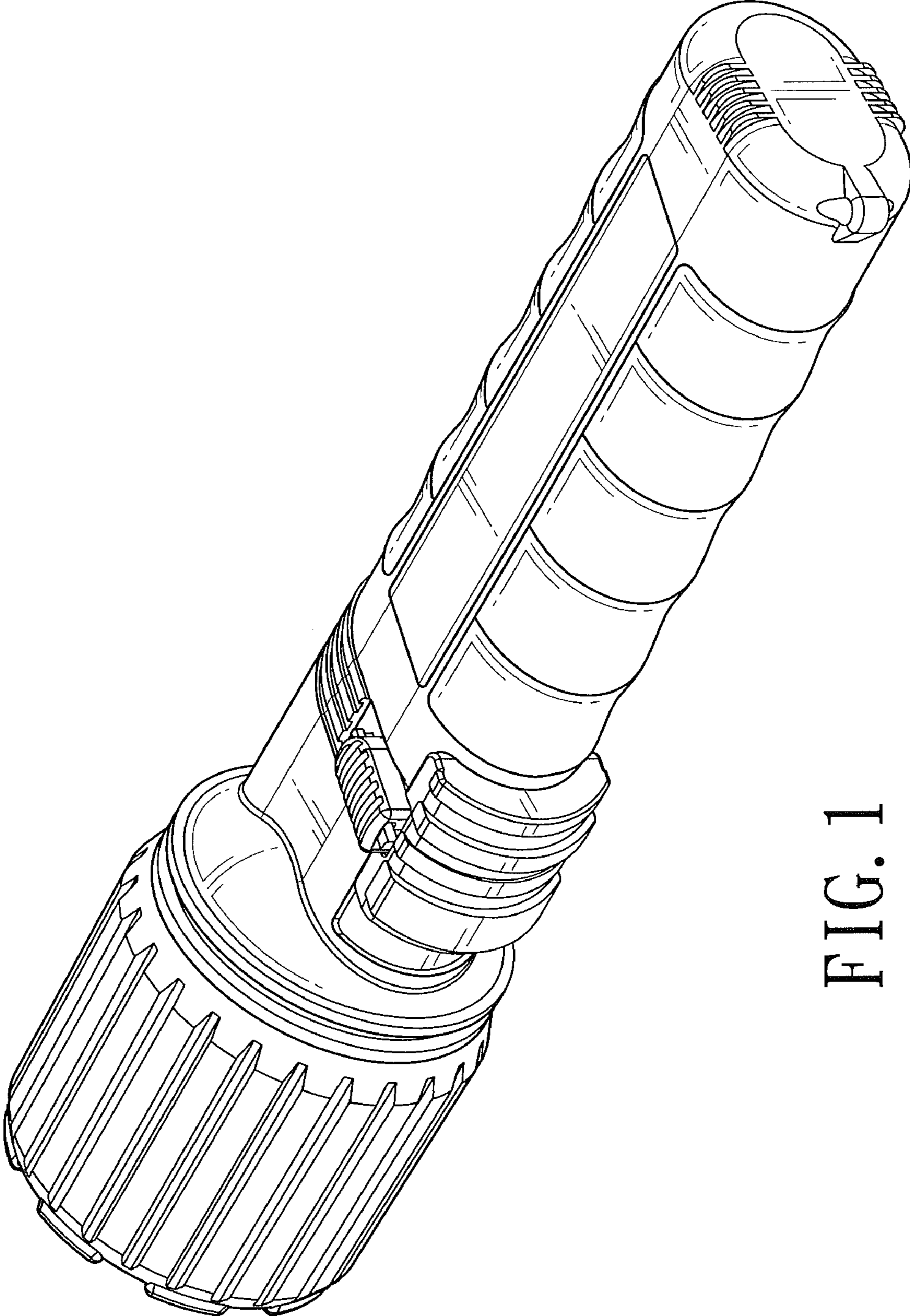


FIG. 1

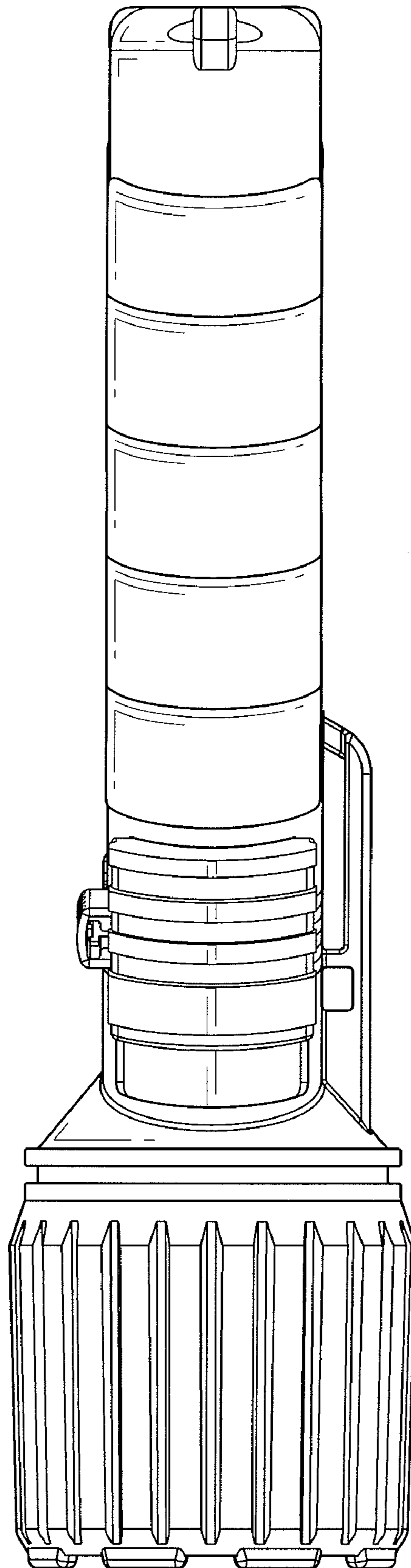


FIG. 2

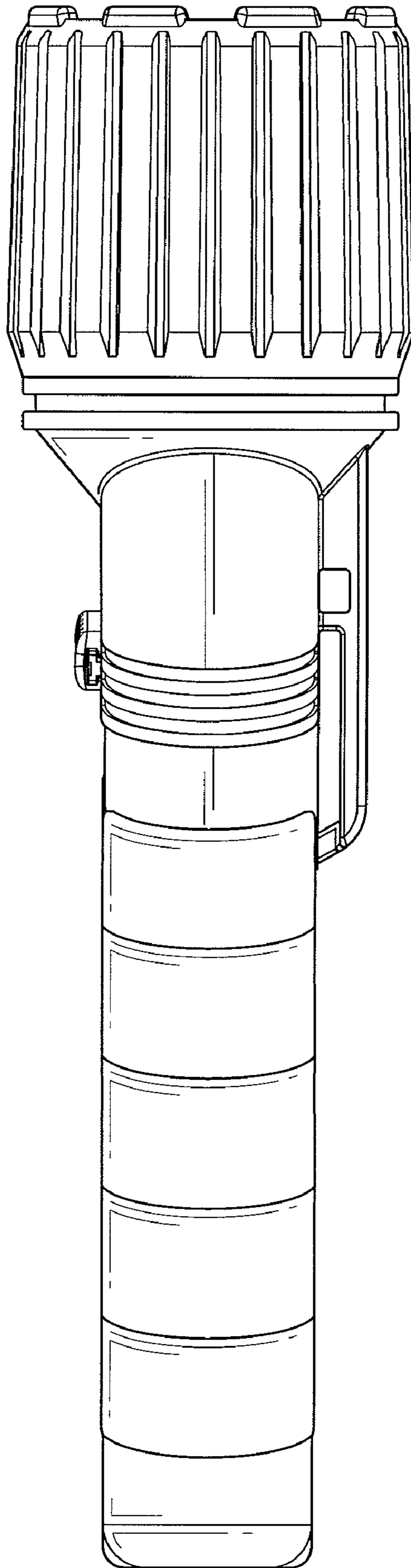


FIG. 3

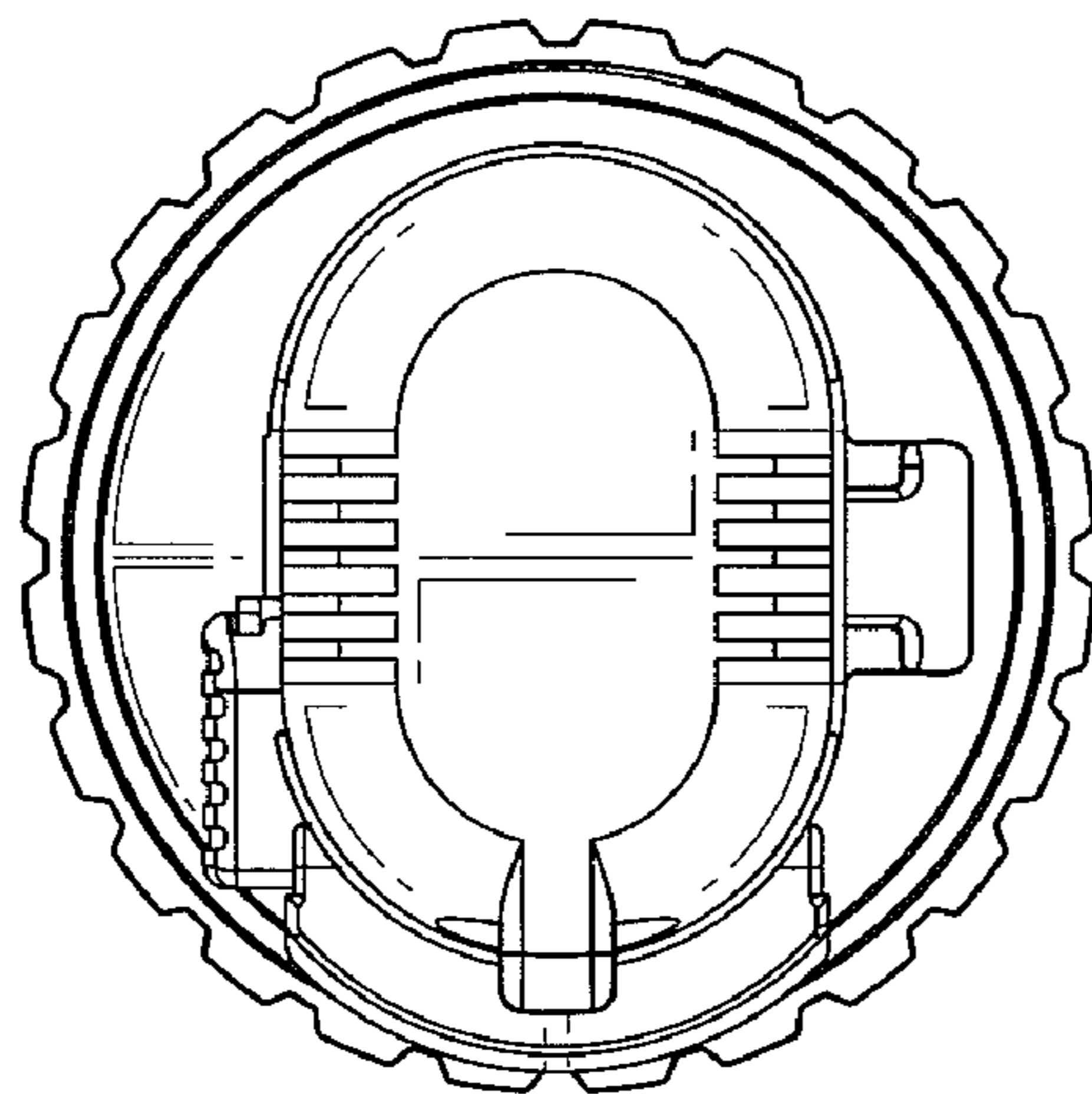


FIG. 5

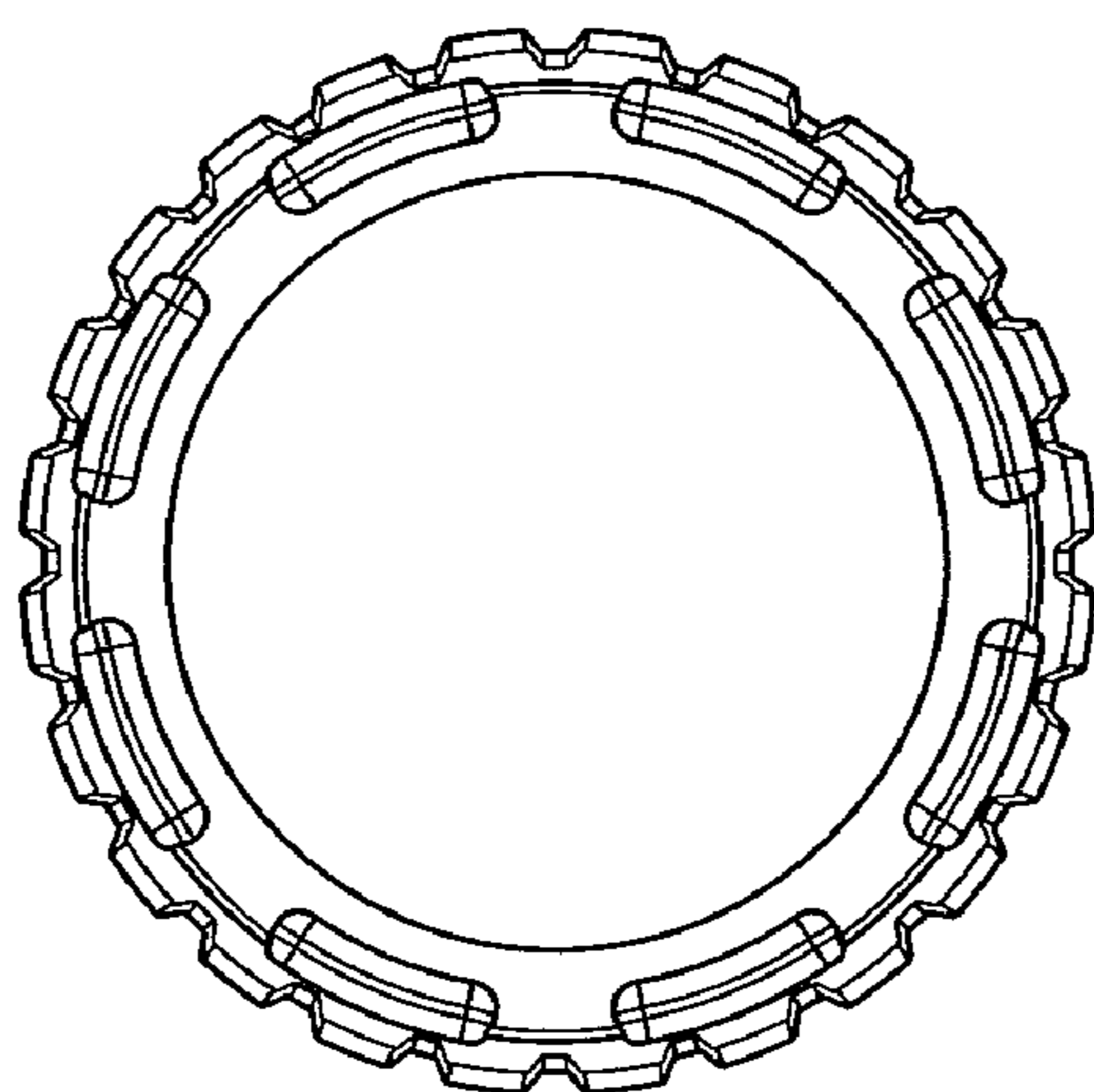


FIG. 4

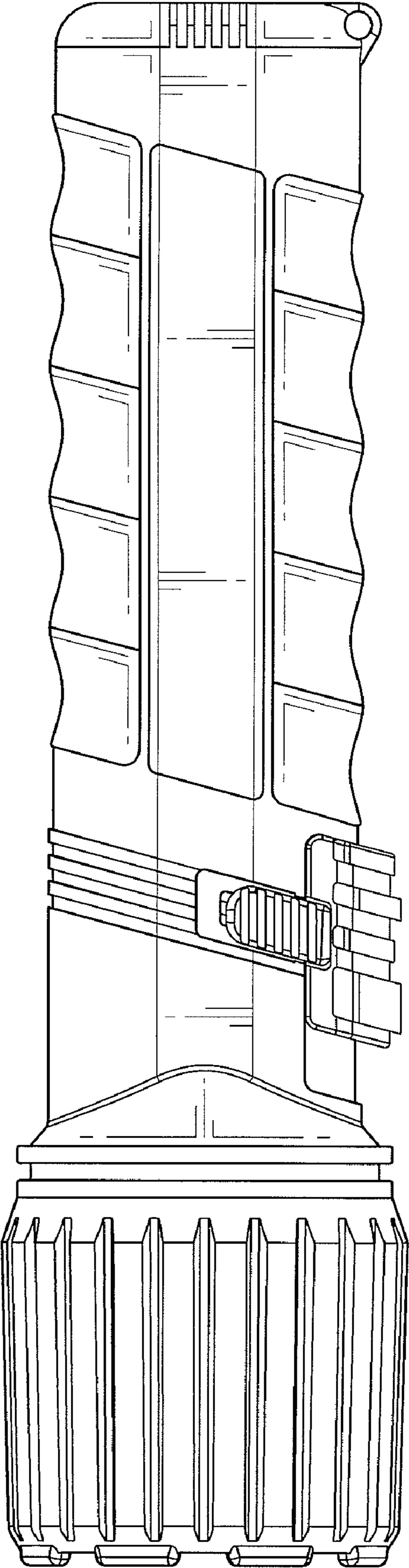


FIG. 6

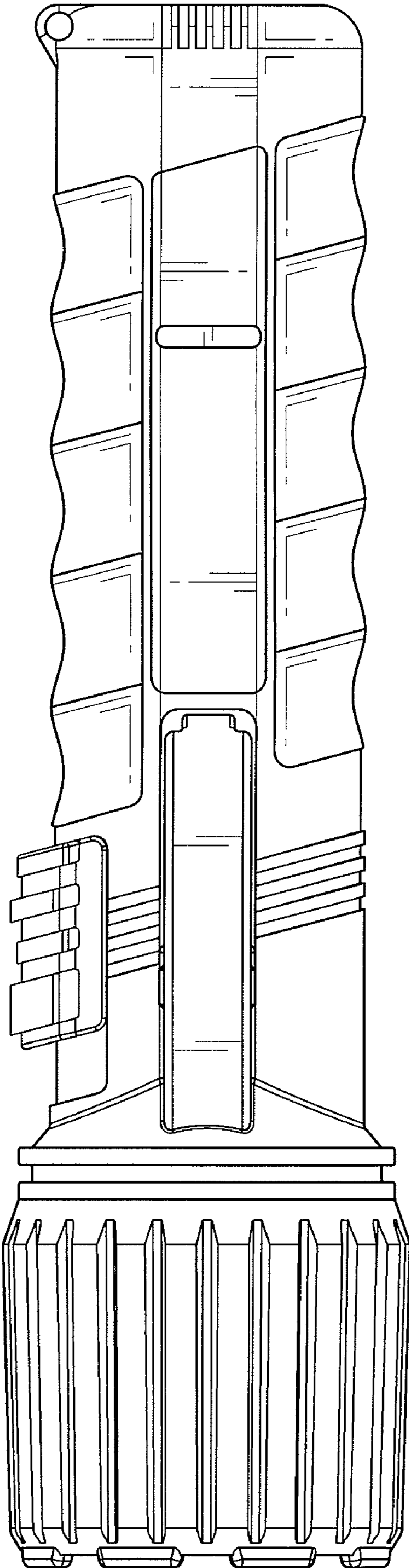


FIG. 7