



US00D656646S

(12) **United States Design Patent**  
**Kawase et al.**

(10) **Patent No.:** **US D656,646 S**  
(45) **Date of Patent:** **\*\* Mar. 27, 2012**

(54) **FLASHLIGHT**

(75) Inventors: **Tomonori Kawase**, Anjo (JP); **Kazunori Tsuge**, Anjo (JP)

(73) Assignee: **Makita Corporation**, Anjo-shi (JP)

(\*\*) Term: **14 Years**

(21) Appl. No.: **29/397,106**

(22) Filed: **Jul. 12, 2011**

(30) **Foreign Application Priority Data**

Mar. 3, 2011 (JP) ..... 2011-004807

(51) **LOC (9) Cl.** ..... **26-02**

(52) **U.S. Cl.** ..... **D26/44**

(58) **Field of Classification Search** ..... D26/37,  
D26/38, 39, 42, 44, 45, 46, 48, 50, 51, 60,  
D26/61, 63, 65; 362/157, 158, 183-189,  
362/194-208

See application file for complete search history.

(56) **References Cited**

**U.S. PATENT DOCUMENTS**

D409,776 S *	5/1999	Ghode et al. ....	D26/42
D439,352 S *	3/2001	Lai .....	D26/37
D441,888 S *	5/2001	Haneda et al. ....	D26/42
D502,276 S *	2/2005	Kovacik et al. ....	D26/44
D507,371 S *	7/2005	Heun .....	D26/44
D586,933 S *	2/2009	Lin .....	D26/48
D604,876 S *	11/2009	Chadwick .....	D26/44
D626,673 S *	11/2010	Kovacik et al. ....	D26/42
D640,398 S *	6/2011	Molina et al. ....	D26/38

**FOREIGN PATENT DOCUMENTS**

GB	4015301	4/2010
JP	D1090360 S	11/2000
UA	16384	4/2008

\* cited by examiner

*Primary Examiner* — Ian Simmons

*Assistant Examiner* — Carissa C Fitts

(74) *Attorney, Agent, or Firm* — Global IP Counselors, LLP

(57) **CLAIM**

The ornamental design for a flashlight, as shown and described.

**DESCRIPTION**

FIG. 1 is a top, front and right side perspective view of a flashlight in accordance with our new design;

FIG. 2 is a top, rear and left side perspective view of the flashlight in accordance with our new design;

FIG. 3 is a front elevational view of the flashlight in accordance with our new design;

FIG. 4 is a rear elevational view of the flashlight in accordance with our new design;

FIG. 5 is a top plan view of the flashlight in accordance with our new design;

FIG. 6 is a bottom plan view of the flashlight in accordance with our new design;

FIG. 7 is a right side elevational view of the flashlight in accordance with our new design;

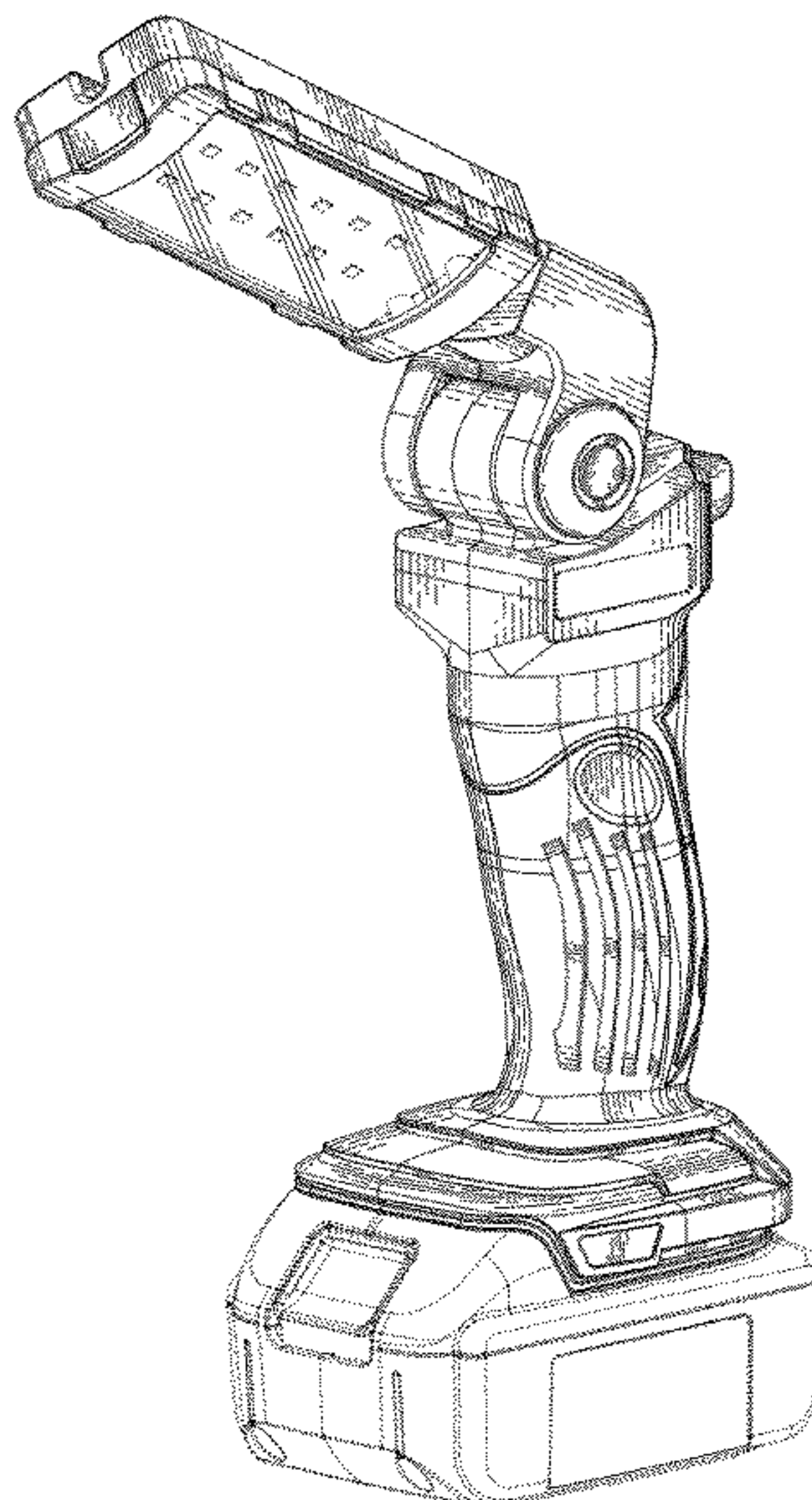
FIG. 8 is a left side elevational view of the flashlight in accordance with our new design; and,

FIG. 9 is a top, front and right side perspective view of the flashlight in accordance with our new design illustrating a state in which an irradiation part of the flashlight is tilted and a battery is attached the flashlight.

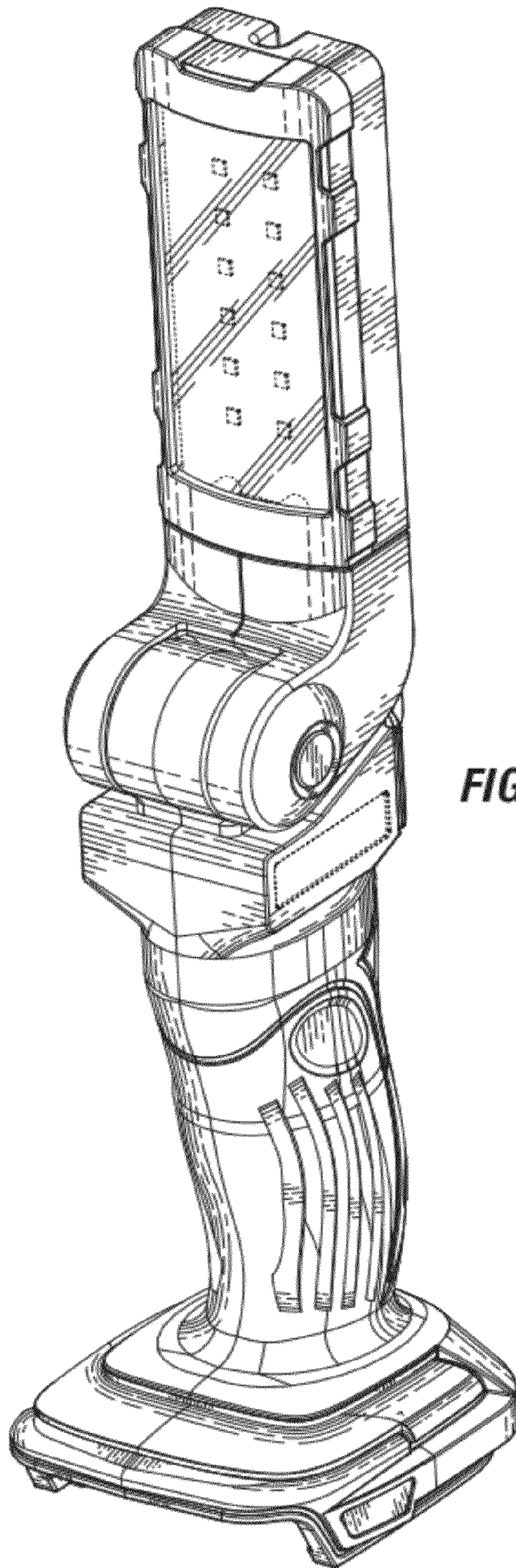
The broken line showing of environment in FIGS. 1, 3, 4, 6, 8 and 9 is for illustrative purposes only and forms no part of the claimed design.

The oblique line shading illustrates a translucent or transparent portion of the flashlight through which the environment shown in the broken lines may be visible as illustrated in FIGS. 1, 3 and 9.

**1 Claim, 9 Drawing Sheets**

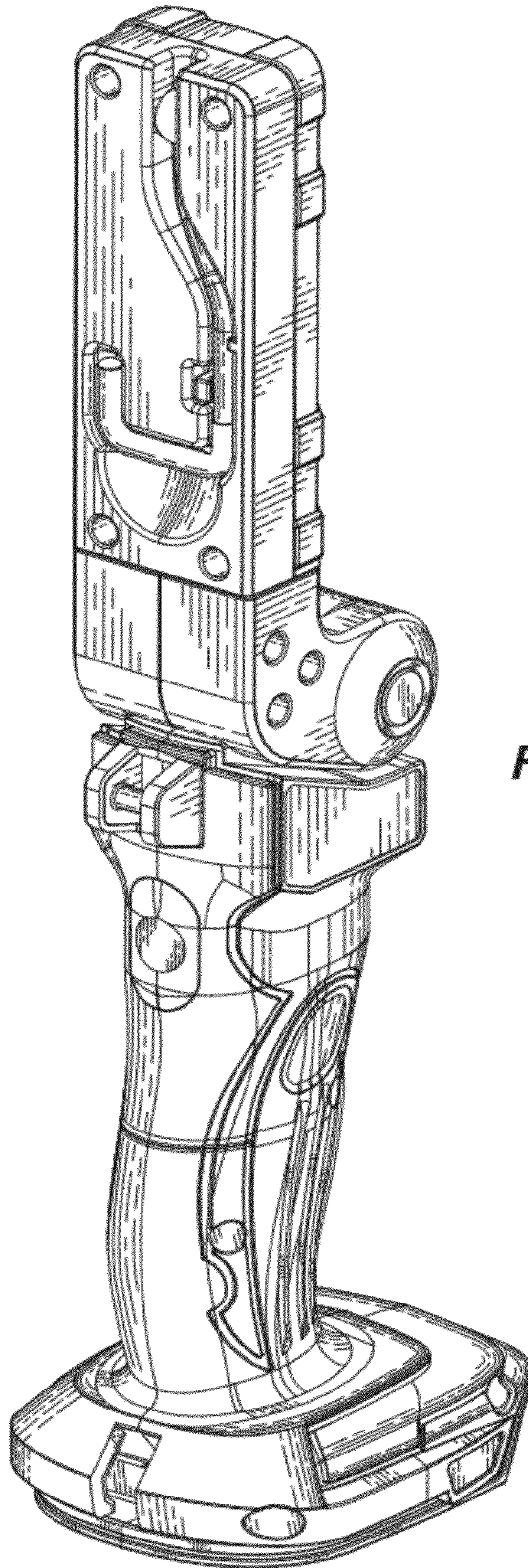






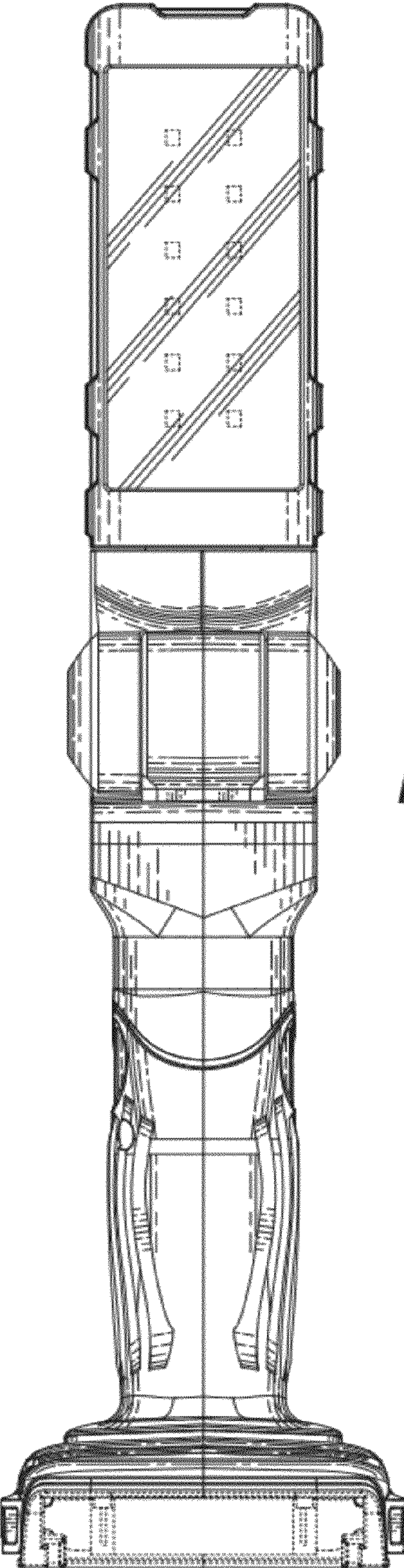
**FIG. 1**





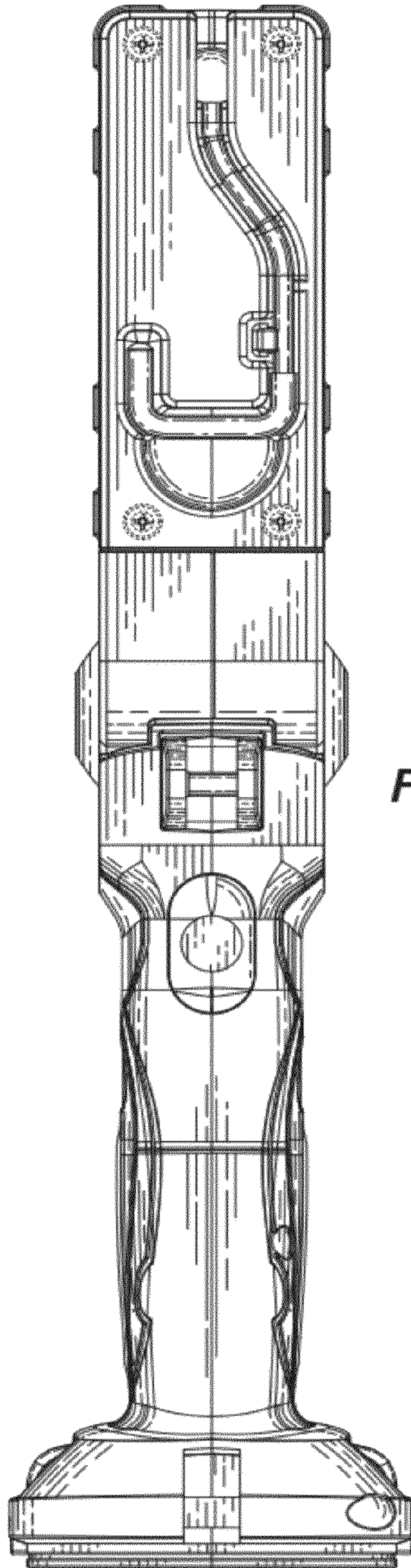
**FIG. 2**





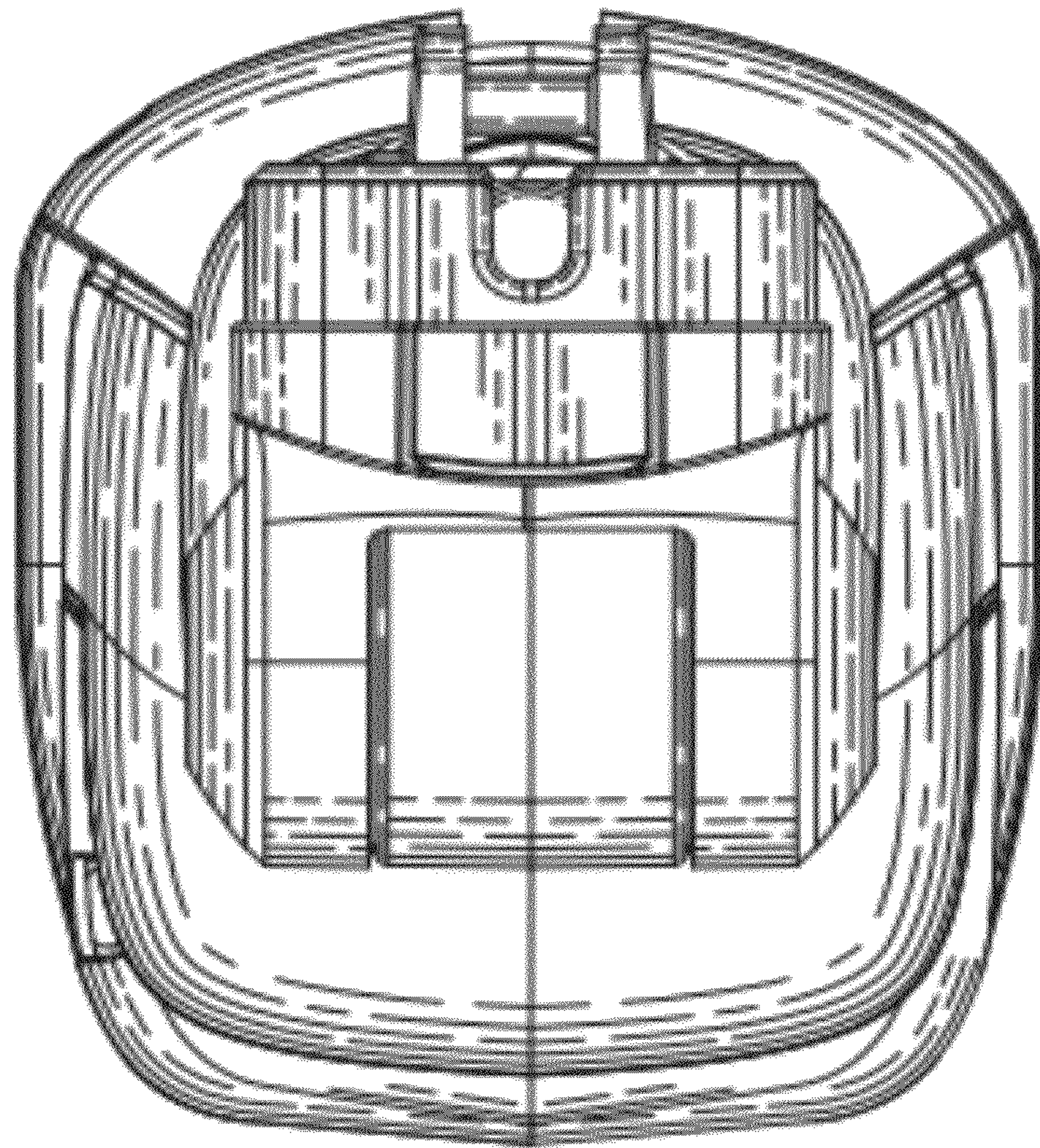
**FIG. 3**





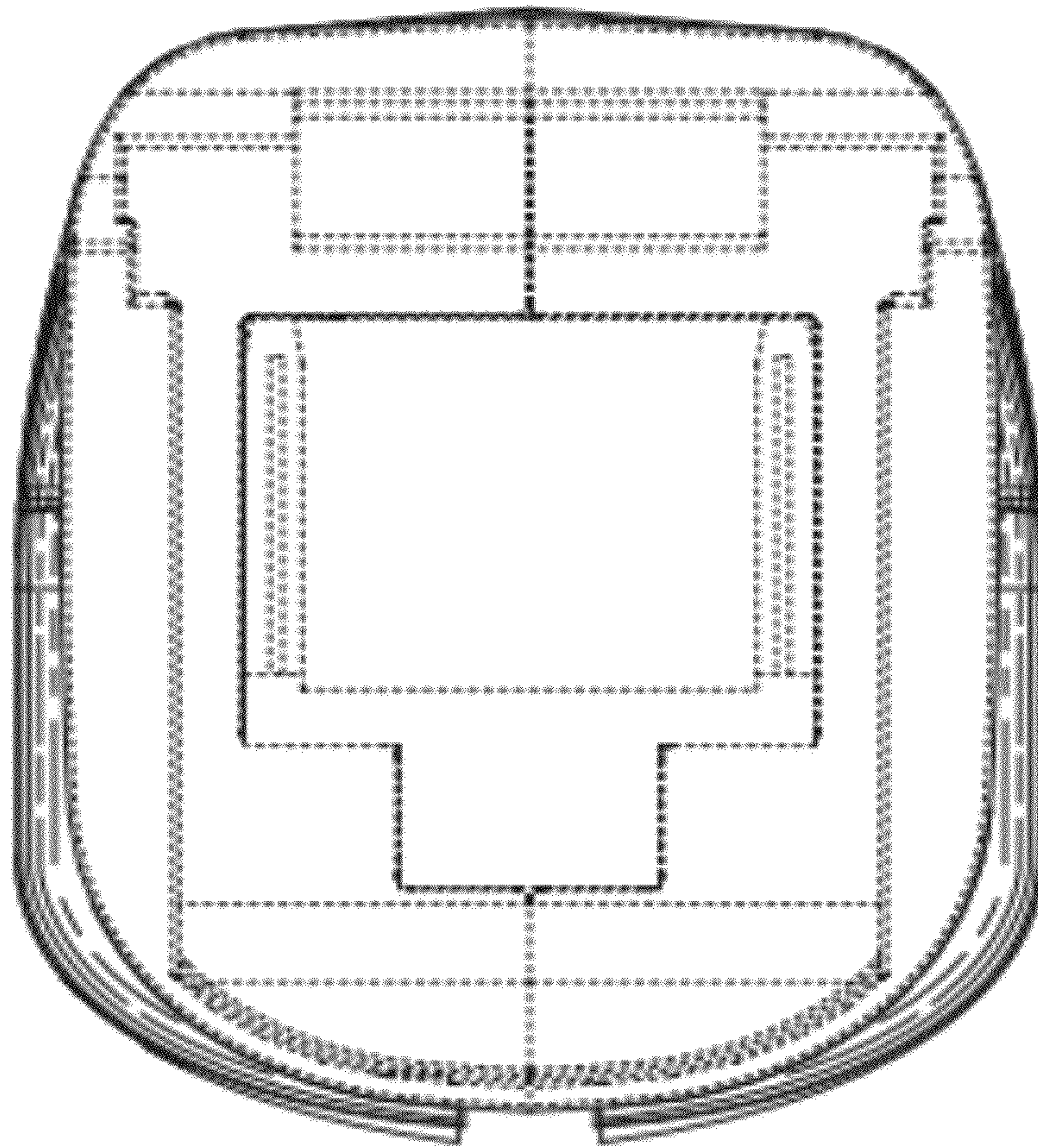
**FIG. 4**





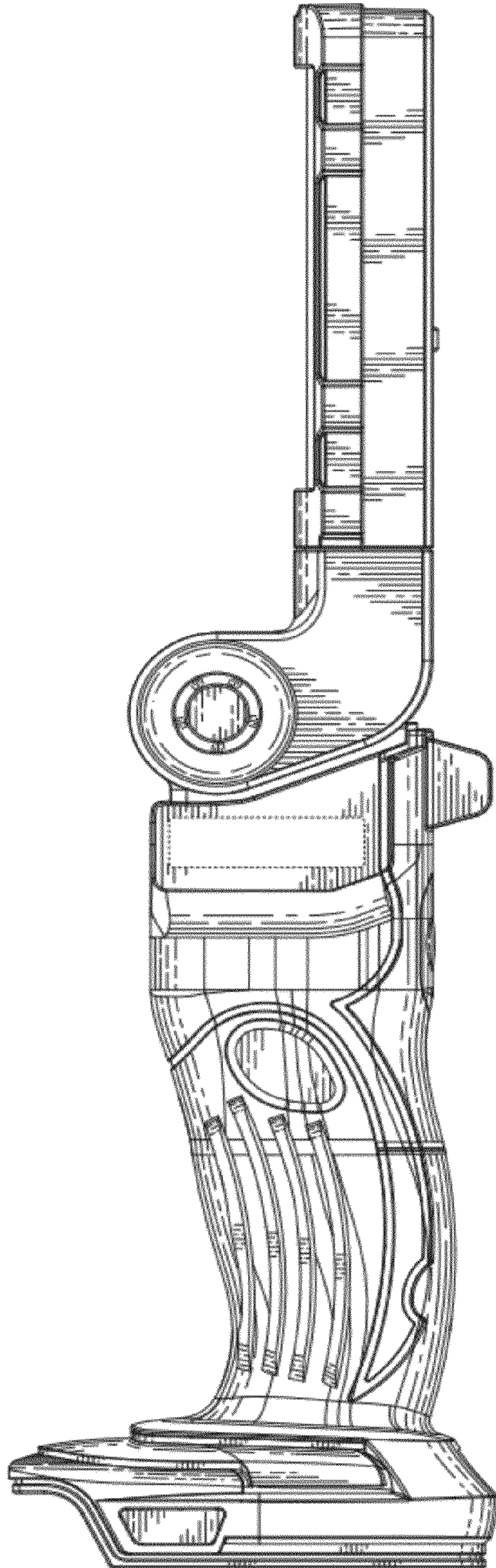
**FIG. 5**





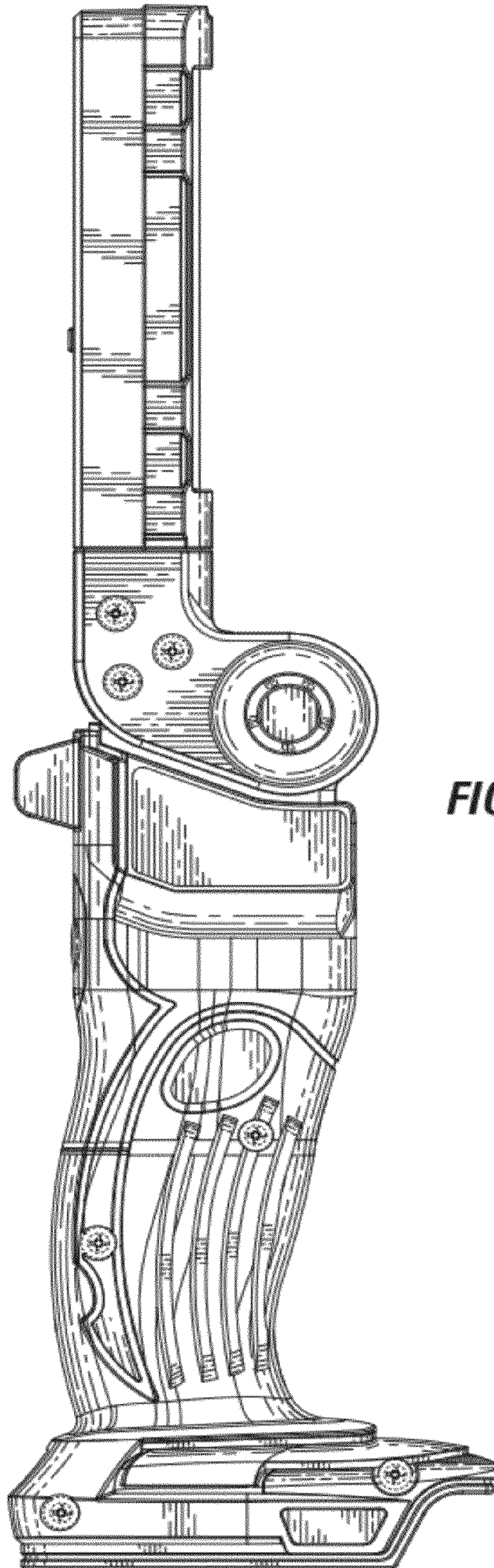
**FIG. 6**





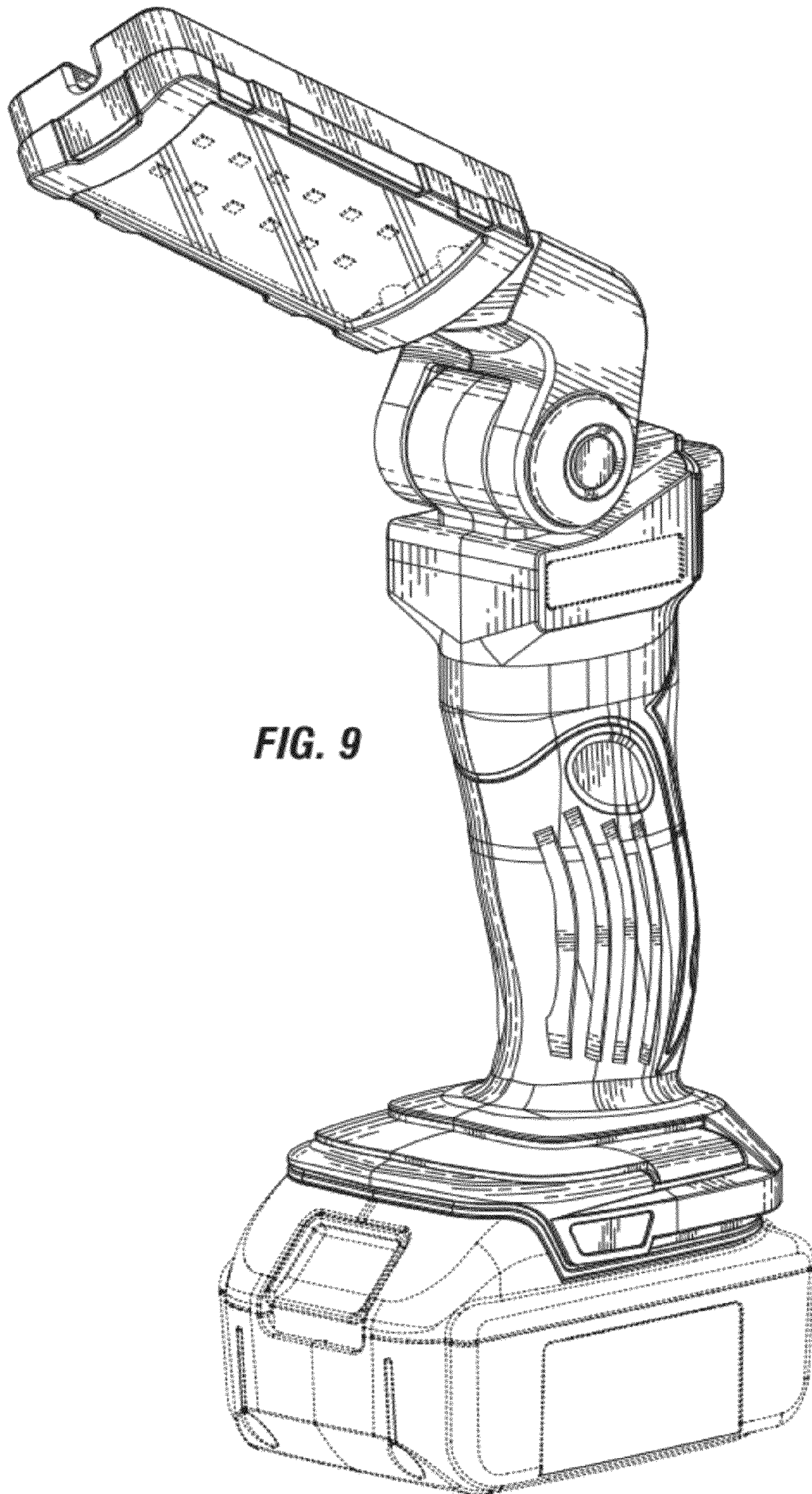
**FIG. 7**





**FIG. 8**





**FIG. 9**