

US00D656645S

(12) **United States Design Patent**
Houghton

(10) **Patent No.:** **US D656,645 S**

(45) **Date of Patent:** **** Mar. 27, 2012**

(54) **LAMP**

(75) **Inventor:** **Stephen Houghton**, Newcastle upon Tyne (GB)

(73) **Assignee:** **Black & Decker Inc.**, Newark, DE (US)

(**) **Term:** **14 Years**

(21) **Appl. No.:** **29/343,256**

(22) **Filed:** **Sep. 10, 2009**

(30) **Foreign Application Priority Data**

Mar. 10, 2009 (EP) 001102057

(51) **LOC (9) Cl.** **26-02**

(52) **U.S. Cl.** **D26/42**

(58) **Field of Classification Search** D26/37,
D26/42, 43, 38, 39, 44, 45, 46, 48, 50, 51;
326/157, 158, 183-189, 194-208

See application file for complete search history.

(56) **References Cited**

U.S. PATENT DOCUMENTS

5,276,596	A	1/1994	Krenzel	
D367,123	S *	2/1996	Blye	D26/42
5,931,560	A	8/1999	Hoffman	
D439,354	S *	3/2001	Yuen	D26/42
D441,888	S *	5/2001	Haneda et al.	D26/42
6,540,184	B2	4/2003	Thaxton	
6,682,198	B2	1/2004	Mangano	
6,791,816	B2 *	9/2004	Stethem	361/232
D501,688	S *	2/2005	Kovacik et al.	D26/42

6,866,395	B2	3/2005	Phipps et al.	
D504,968	S *	5/2005	Bayat et al.	D26/42
D505,217	S *	5/2005	Bayat et al.	D26/42

(Continued)

FOREIGN PATENT DOCUMENTS

DE 8903529 11/1988

(Continued)

Primary Examiner — Ian Simmons

Assistant Examiner — Carissa C Fitts

(74) *Attorney, Agent, or Firm* — John Yun

(57) **CLAIM**

The ornamental design for a lamp, as shown and described.

DESCRIPTION

FIG. 1 is a perspective view of a first embodiment of a lamp showing my new design;

FIG. 2 is a left side view of the lamp according to FIG. 1;

FIG. 3 is a right side view of the lamp according to FIG. 1;

FIG. 4 is a top view of the lamp according to FIG. 1;

FIG. 5 is a bottom view of the lamp according to FIG. 1;

FIG. 6 is a rear view of the lamp according to FIG. 1;

FIG. 7 is a front view of the lamp according to FIG. 1;

FIG. 8 is a perspective view of a second embodiment of a lamp showing my new design;

FIG. 9 is a left side view of the lamp according to FIG. 8;

FIG. 10 is a right side view of the lamp according to FIG. 8;

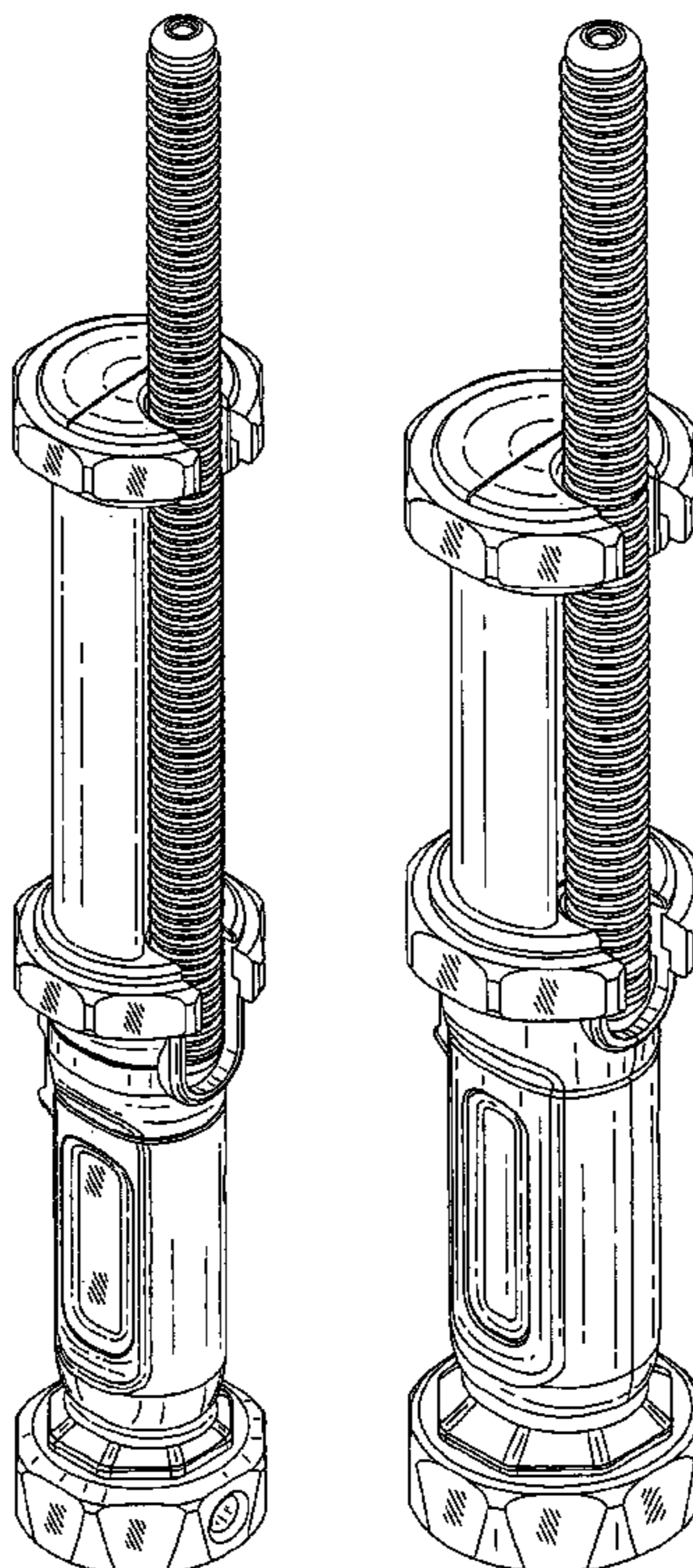
FIG. 11 is a top view of the lamp according to FIG. 8;

FIG. 12 is a bottom view of the lamp according to FIG. 8;

FIG. 13 is a rear view of the lamp according to FIG. 8; and,

FIG. 14 is a front view of the lamp according to FIG. 8.

1 Claim, 8 Drawing Sheets



US D656,645 S

Page 2

U.S. PATENT DOCUMENTS

D523,577	S *	6/2006	Bayat et al.	D26/42
D526,077	S *	8/2006	Leen	D26/42
D530,843	S *	10/2006	Yamamoto	D26/42
7,140,754	B2	11/2006	Thuma et al.	
D538,456	S *	3/2007	Trigiani et al.	D26/42
D545,469	S *	6/2007	Wikle et al.	D26/42
7,347,582	B1	3/2008	Kung	
D567,977	S *	4/2008	Jianwei	D26/42
D574,741	S *	8/2008	Gadsden	D10/114.9
D612,966	S *	3/2010	Jiang	D26/42
D620,627	S *	7/2010	Kovacik et al.	D26/42
D634,043	S *	3/2011	Oppizzi	D26/38
D648,466	S *	11/2011	Hickman	D26/42
2008/0232097	A1	9/2008	Gandhi et al.	

FOREIGN PATENT DOCUMENTS

DE	9300787	1/1993
DE	9308293	10/1993
DE	9404103	5/1994
DE	49906803	7/1999
DE	29906234	8/1999
DE	40011118	11/2000
DE	202005017845	1/2006
DE	102006012854	9/2007
EM	000021431-0001	4/2003
EM	000058953-0001	7/2003
EM	000089263-0001	10/2003
EM	000131784-0001	2/2004
EM	000131826-0001	2/2004

EM	000153259-0005	3/2004
EM	000234232-0001	9/2004
EM	000238241-0001	9/2004
EM	000266796	12/2004
EM	000269220-0001	12/2004
EM	000277744-0001	1/2005
EM	000298617-0001	2/2005
EM	000326715-0001	3/2005
EM	000400262-0001	8/2005
EM	000492442-0001	3/2006
EM	000504998-0002	3/2006
EM	000507819-0001	4/2006
EM	000616172-0001	11/2006
EM	000652904-0003	1/2007
EM	000683834-0001	3/2007
EM	000685722-0001	3/2007
EM	000753041-0001	7/2007
EM	000753041-0004	7/2007
EM	000753041-0005	7/2007
EM	000779749-0003	8/2007
EM	000786066-0001	9/2007
EM	0007937224-0001	9/2007
EP	0528501	2/1993
EP	1612470	1/2006
GB	746392	3/1956
WO	0077444	6/2000
WO	03052317	12/2002
WO	2007028370	9/2006
WO	2008129216	3/2008

* cited by examiner

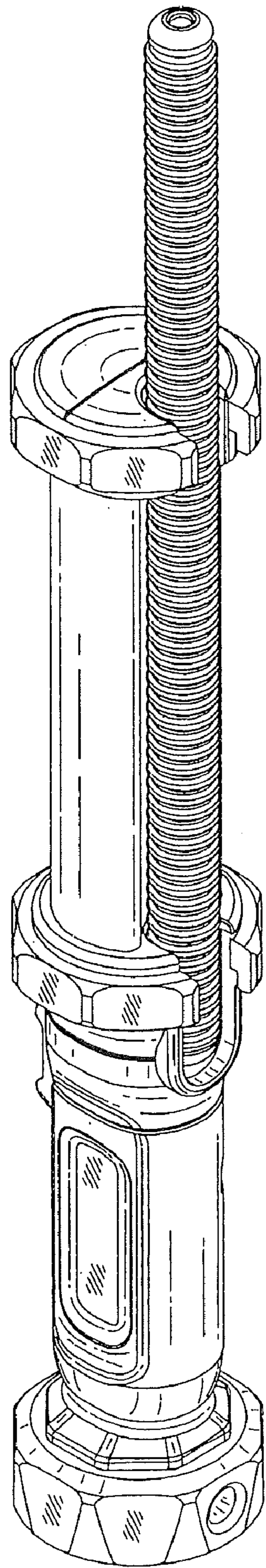


FIG. 1

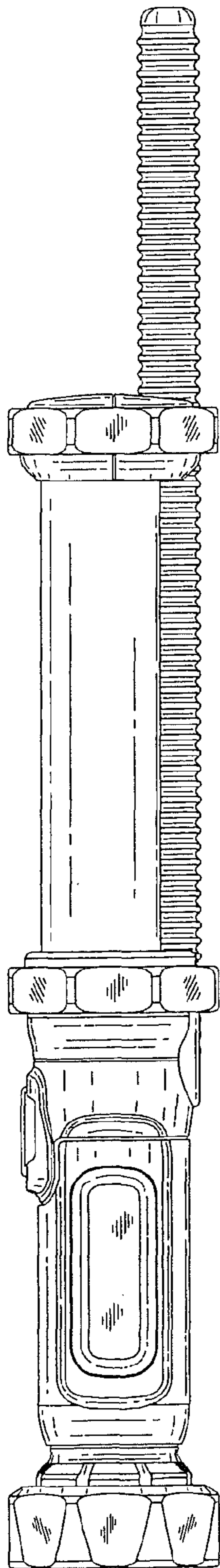


FIG. 2

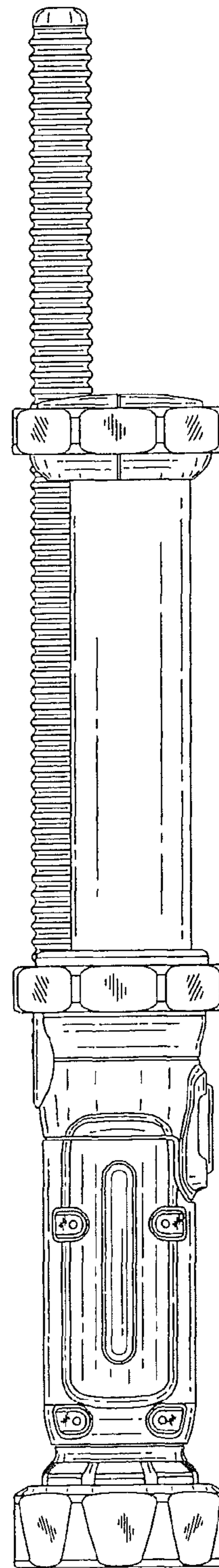


FIG. 3

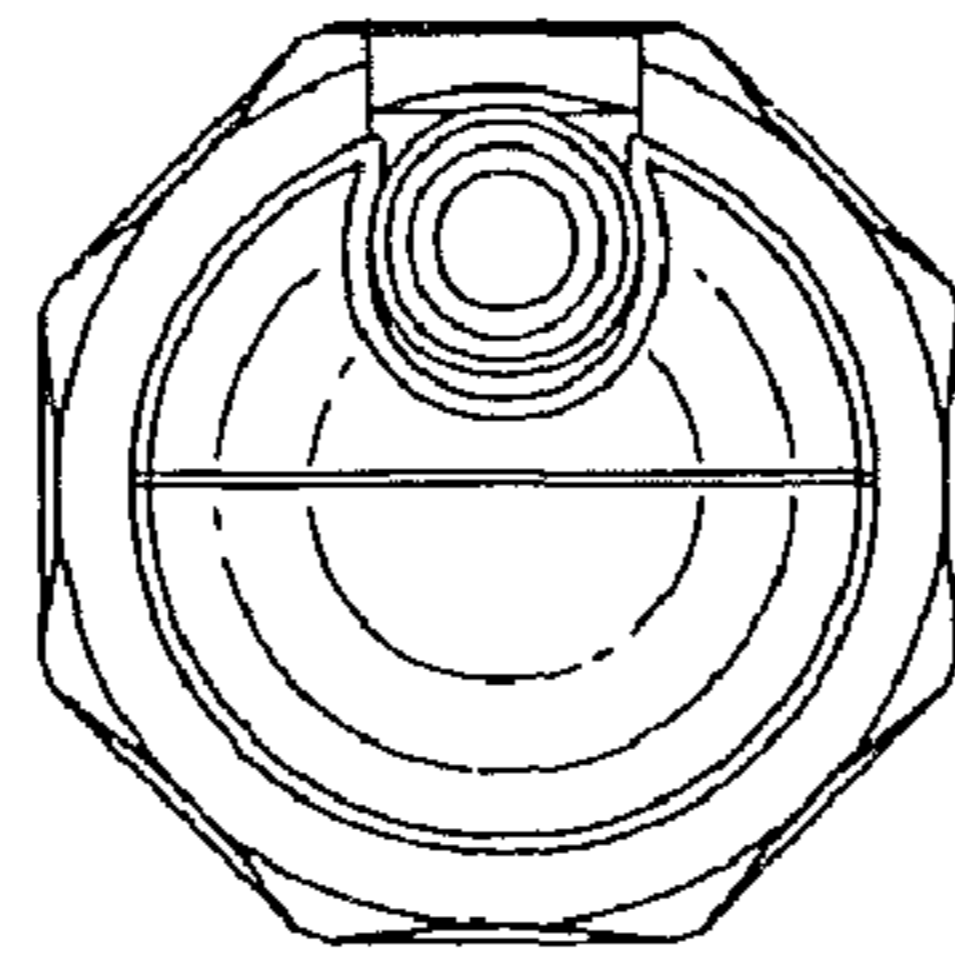


FIG. 4

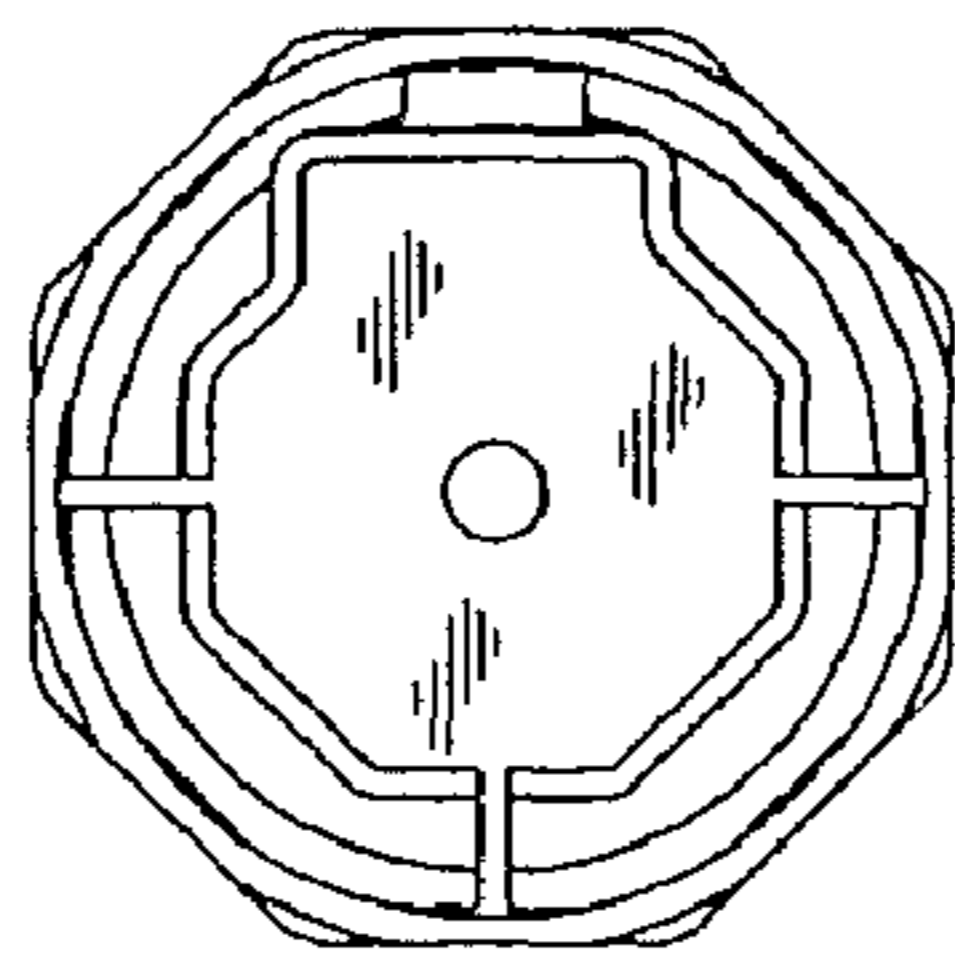


FIG. 5

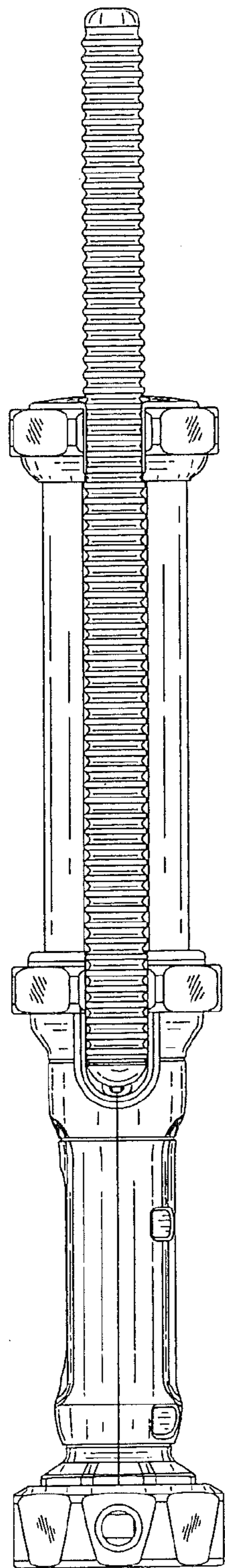


FIG. 6

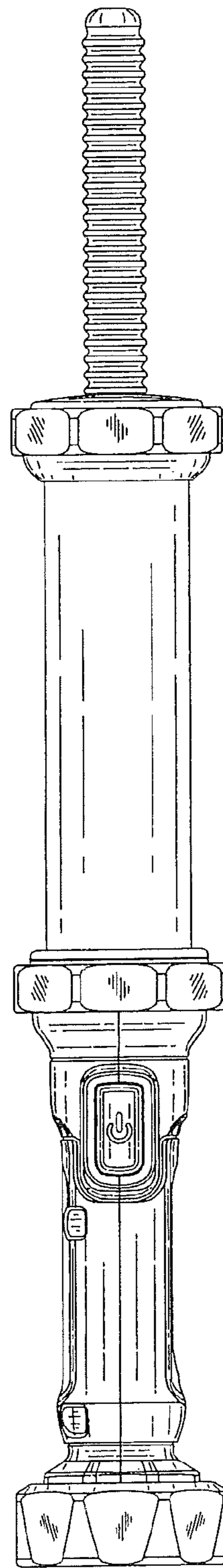


FIG. 7

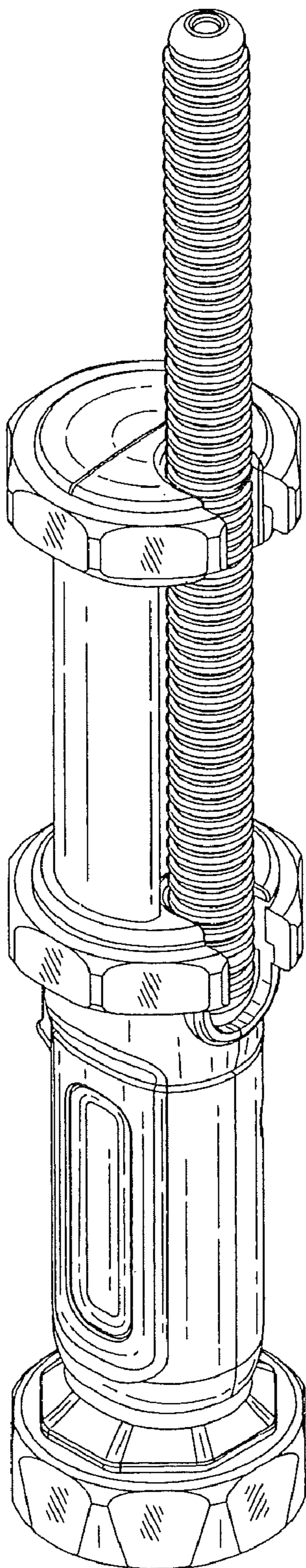


FIG. 8

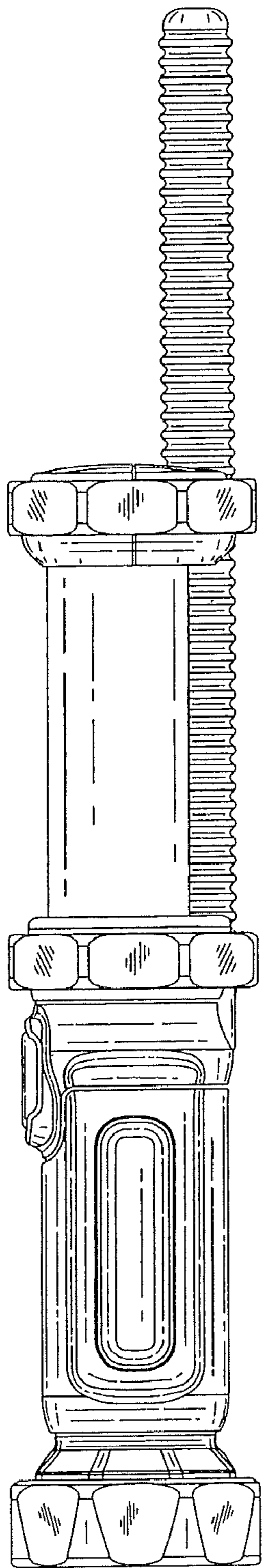


FIG. 9

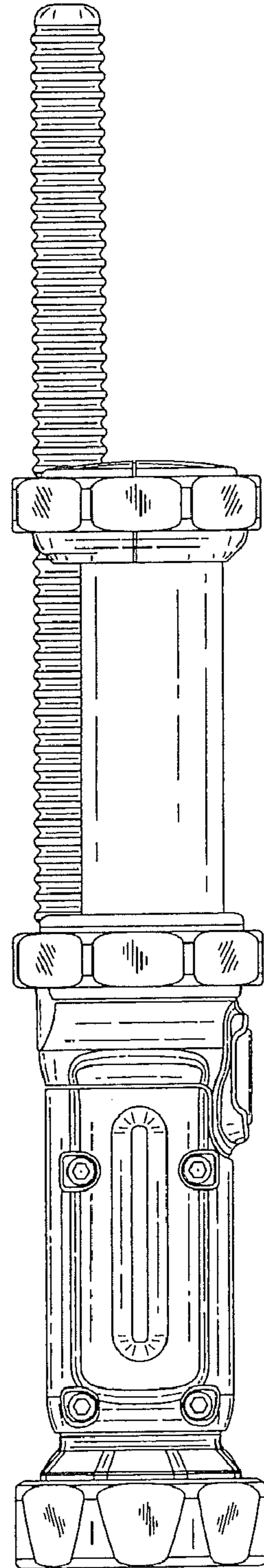


FIG. 10

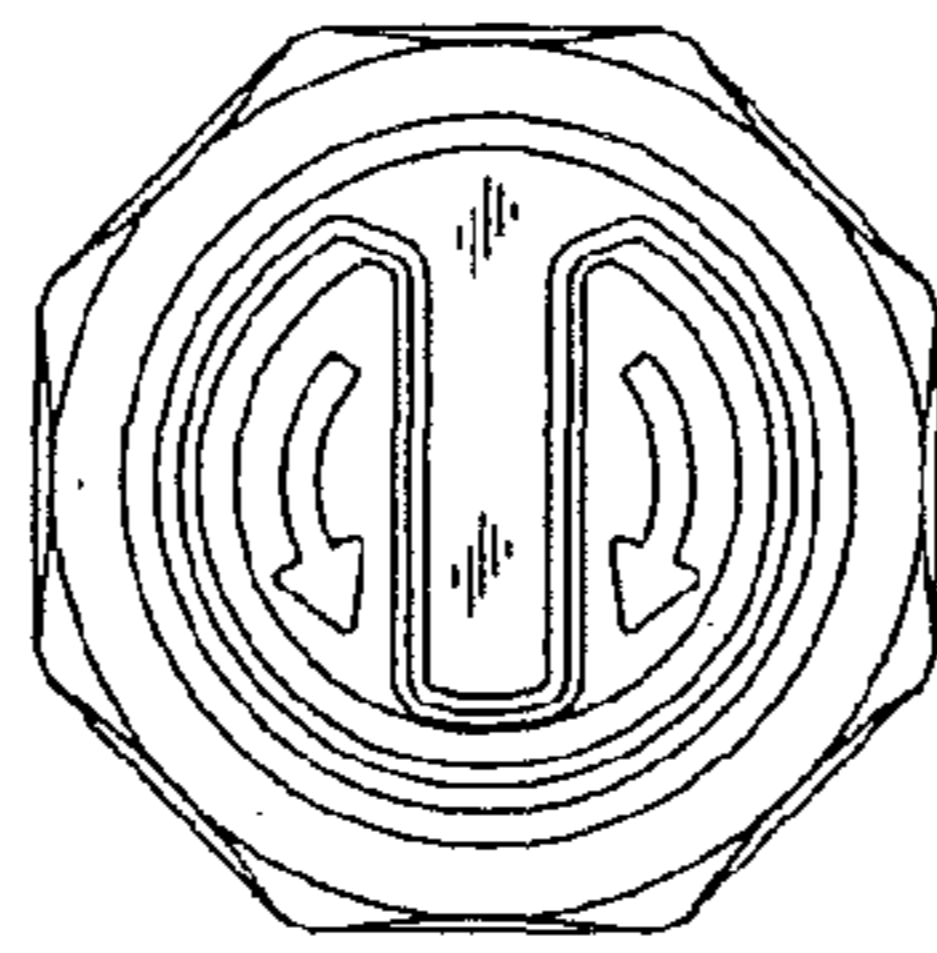


FIG. 11

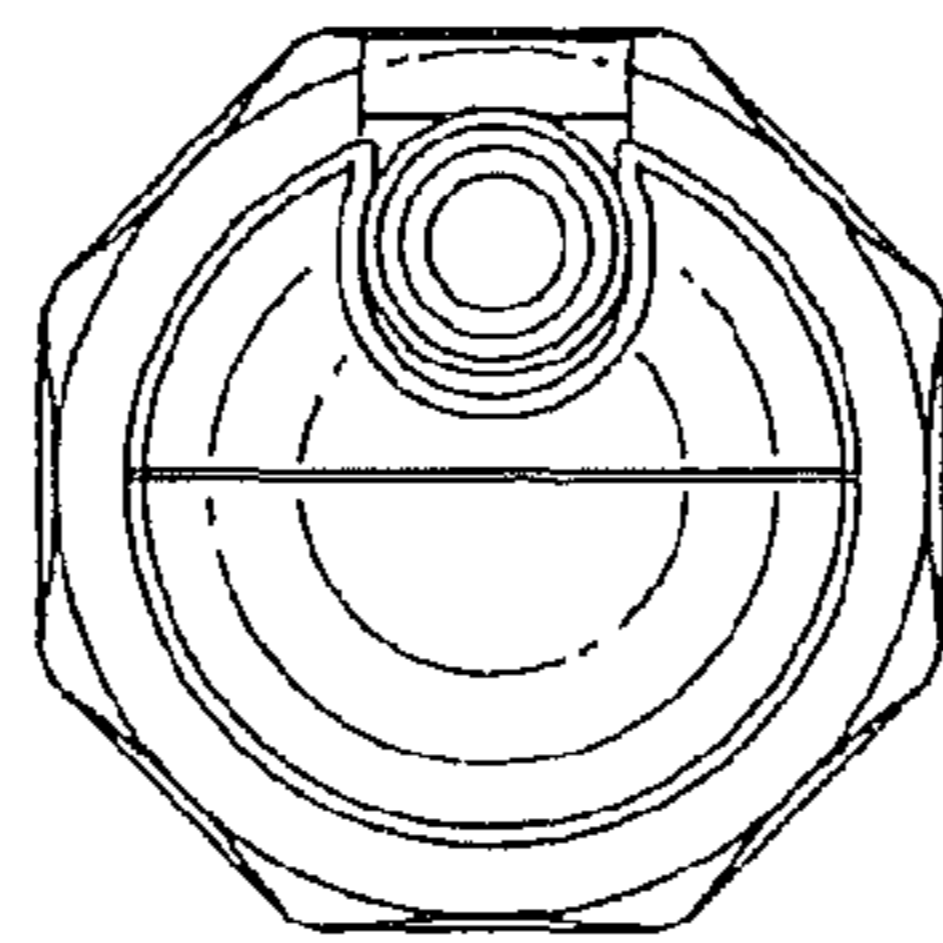


FIG. 12

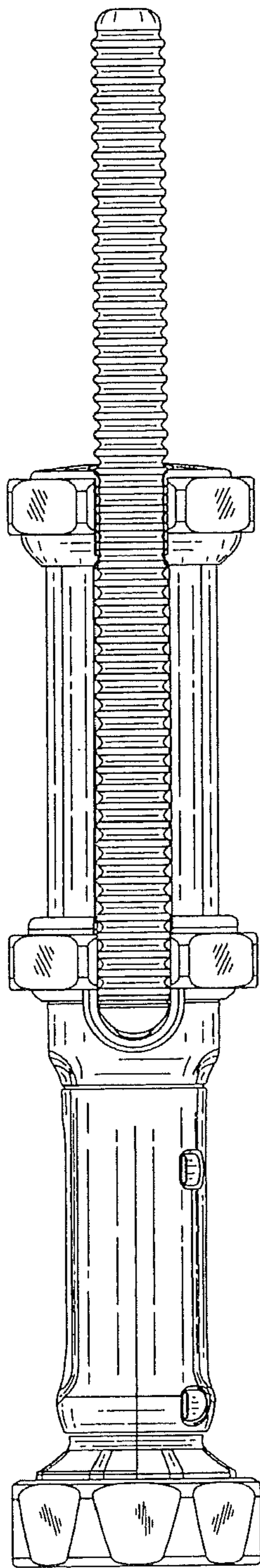


FIG. 13

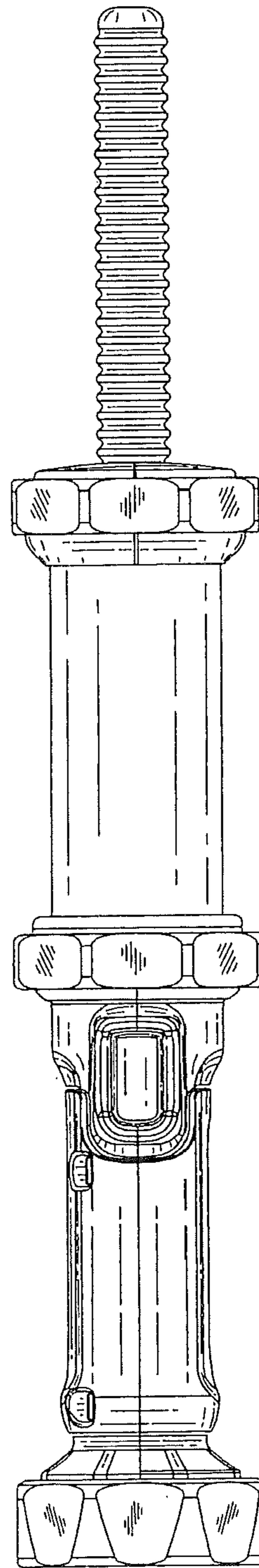


FIG. 14