



US00D656641S

(12) **United States Design Patent**
Oya et al.

(10) **Patent No.:** **US D656,641 S**
(45) **Date of Patent:** **** Mar. 27, 2012**

(54) **FRONT COMBINATION LAMP FOR AN
AUTOMOBILE**

D635,694 S * 4/2011 Yang et al. D26/28
D636,100 S 4/2011 Okamura et al.
D642,306 S 7/2011 Tokizane

(75) Inventors: **Satoru Oya**, Toyota (JP); **Hirota
Kobayashi**, Toyota (JP); **Tomonori
Matsumoto**, Newport Beach, CA (US)

(73) Assignee: **Toyota Jidosha Kabushiki Kaisha**,
Toyota-shi (JP)

(**) Term: **14 Years**

(21) Appl. No.: **29/388,645**

(22) Filed: **Mar. 31, 2011**

(51) **LOC (9) Cl.** **26-06**

(52) **U.S. Cl.** **D26/28**

(58) **Field of Classification Search** D26/28-36;
362/459-468, 475-478, 485-487

See application file for complete search history.

(56) **References Cited**

U.S. PATENT DOCUMENTS

D492,046 S	6/2004	Nakamura et al.	
D531,329 S	10/2006	Okamura et al.	
D550,383 S *	9/2007	Asai	D26/28
D556,349 S *	11/2007	Golden et al.	D26/28
D560,291 S *	1/2008	Koyama	D26/28
D561,358 S *	2/2008	Tachibana	D26/28
D625,858 S	10/2010	Miyata	
D632,813 S	2/2011	Kim et al.	

OTHER PUBLICATIONS

Audi-Q5, Mfg. Audi, www.netcarshow.com, URL: http://www.netcarshow.com/Audi, 2009.
Mazda-6 Hatchback, Mfg. Mazda, netcarshow.com, URL: http://www.netcarshow.com/Mazda, 2008.
Mitsubishi-Outlander, Mfg. Mitsubishi, netcarshow.com, URL: http://www.netcarshow.com/Mitsubishi, 2007.

* cited by examiner

Primary Examiner — Marcus Jackson

(74) *Attorney, Agent, or Firm* — Finnegan, Henderson, Farabow, Garrett & Dunner, LLP

(57) **CLAIM**

The ornamental design for a front combination lamp for an automobile, as shown and described.

DESCRIPTION

FIG. 1 is a front perspective view of a front combination lamp for an automobile of our new design;
FIG. 2 is a front view thereof;
FIG. 3 is a top plan view thereof;
FIG. 4 is a bottom plan view thereof;
FIG. 5 is a right side view thereof; and,
FIG. 6 is a left side view thereof.

Our design includes the mirror image of the embodiment depicted.

1 Claim, 4 Drawing Sheets



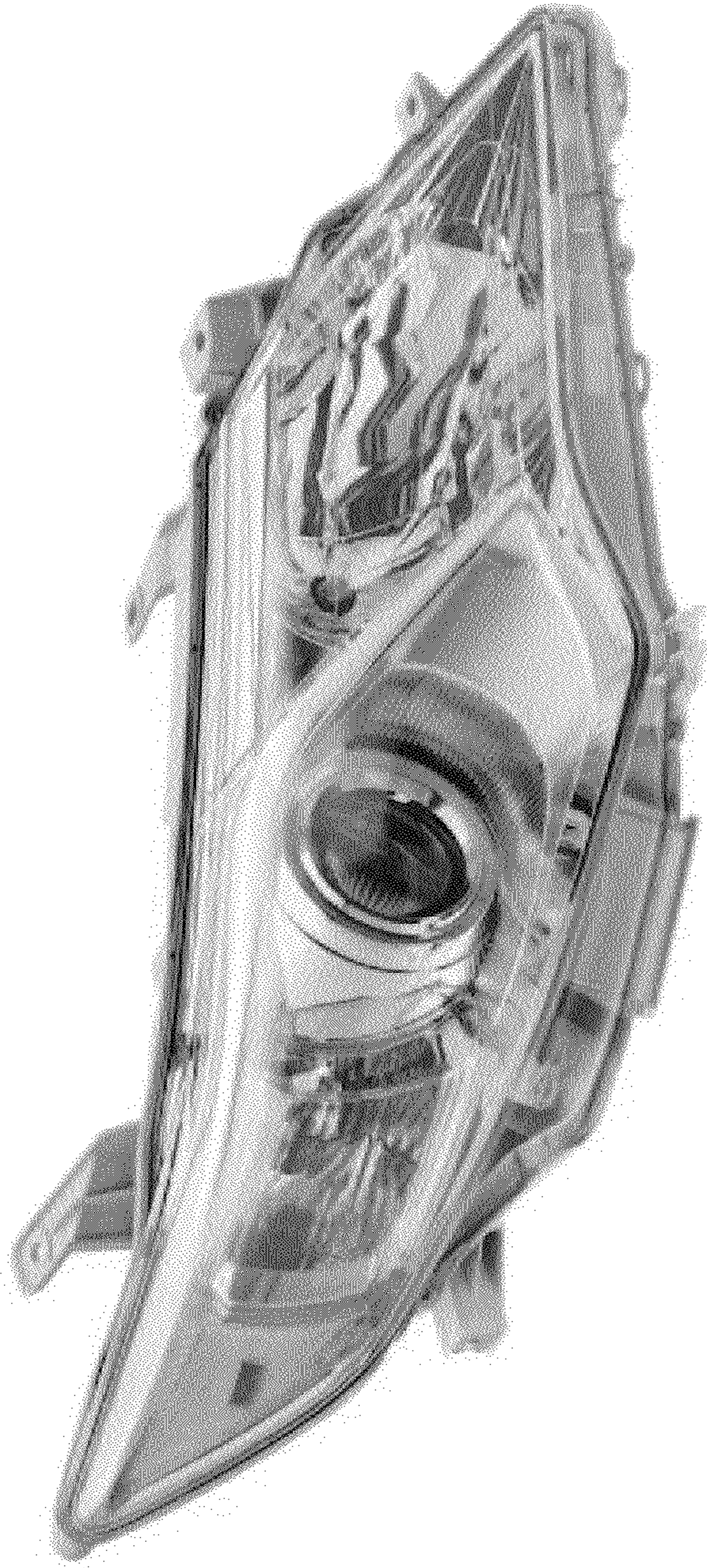


FIG. 1

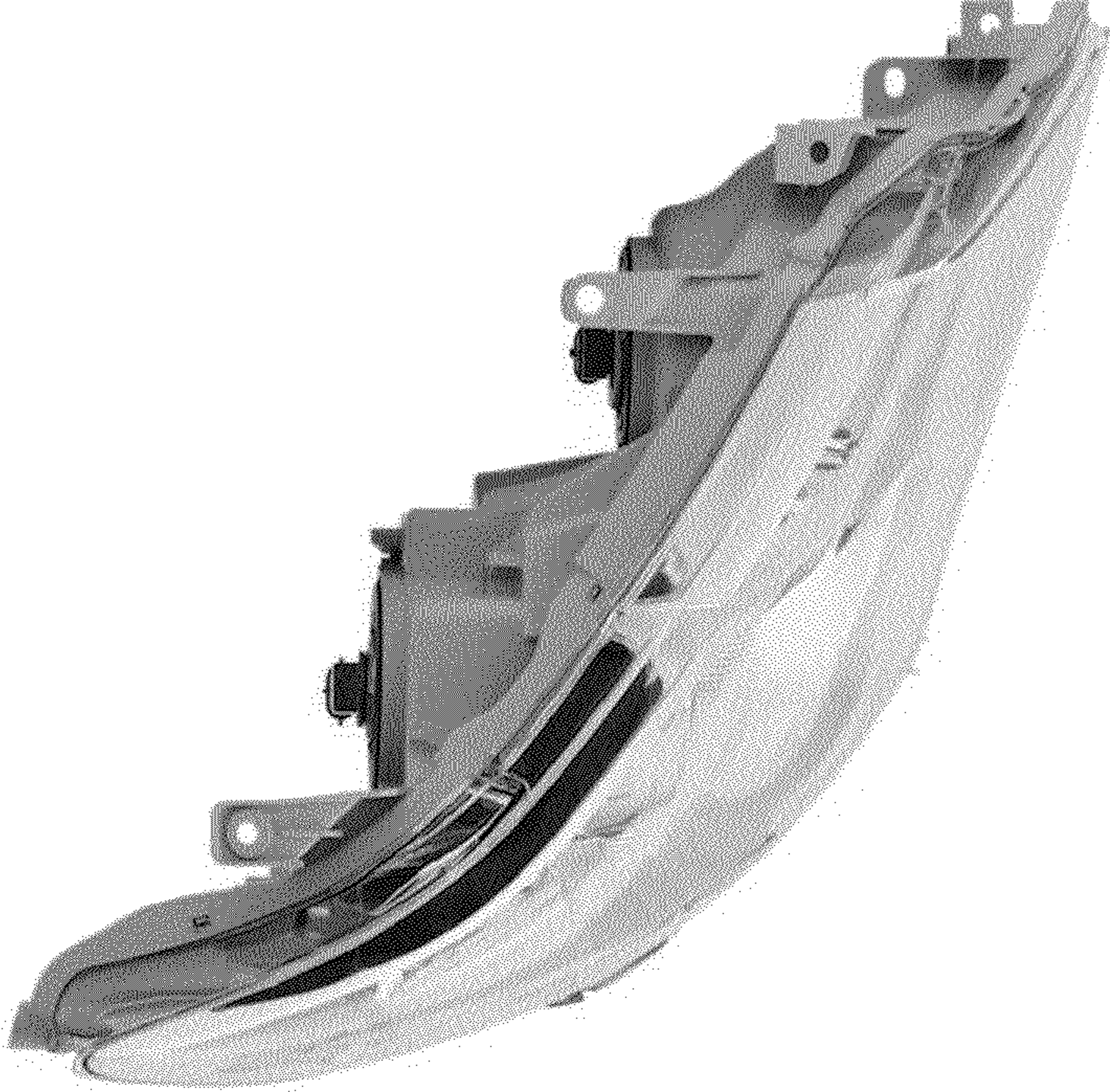


FIG. 3

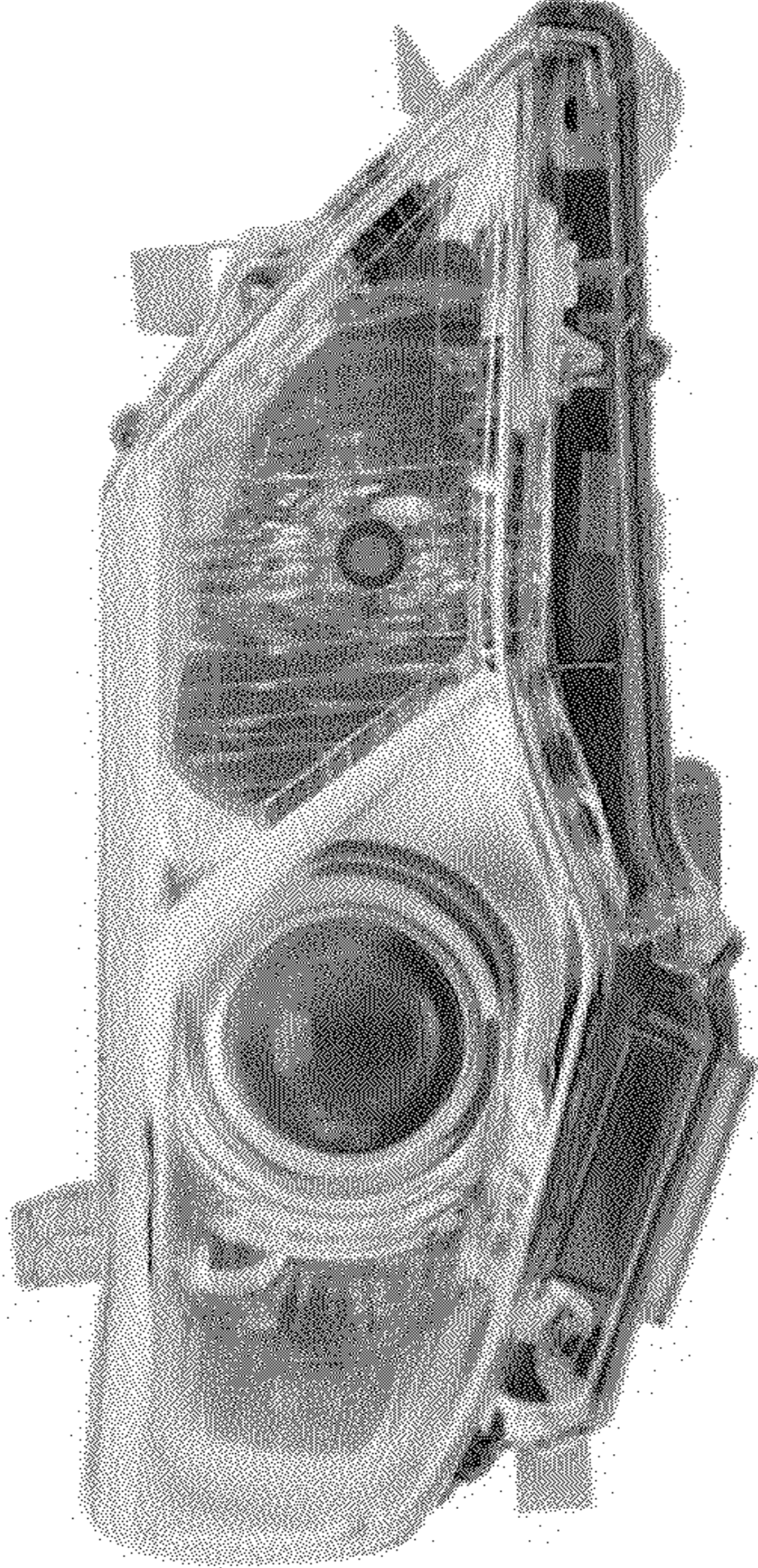


FIG. 2



FIG. 4

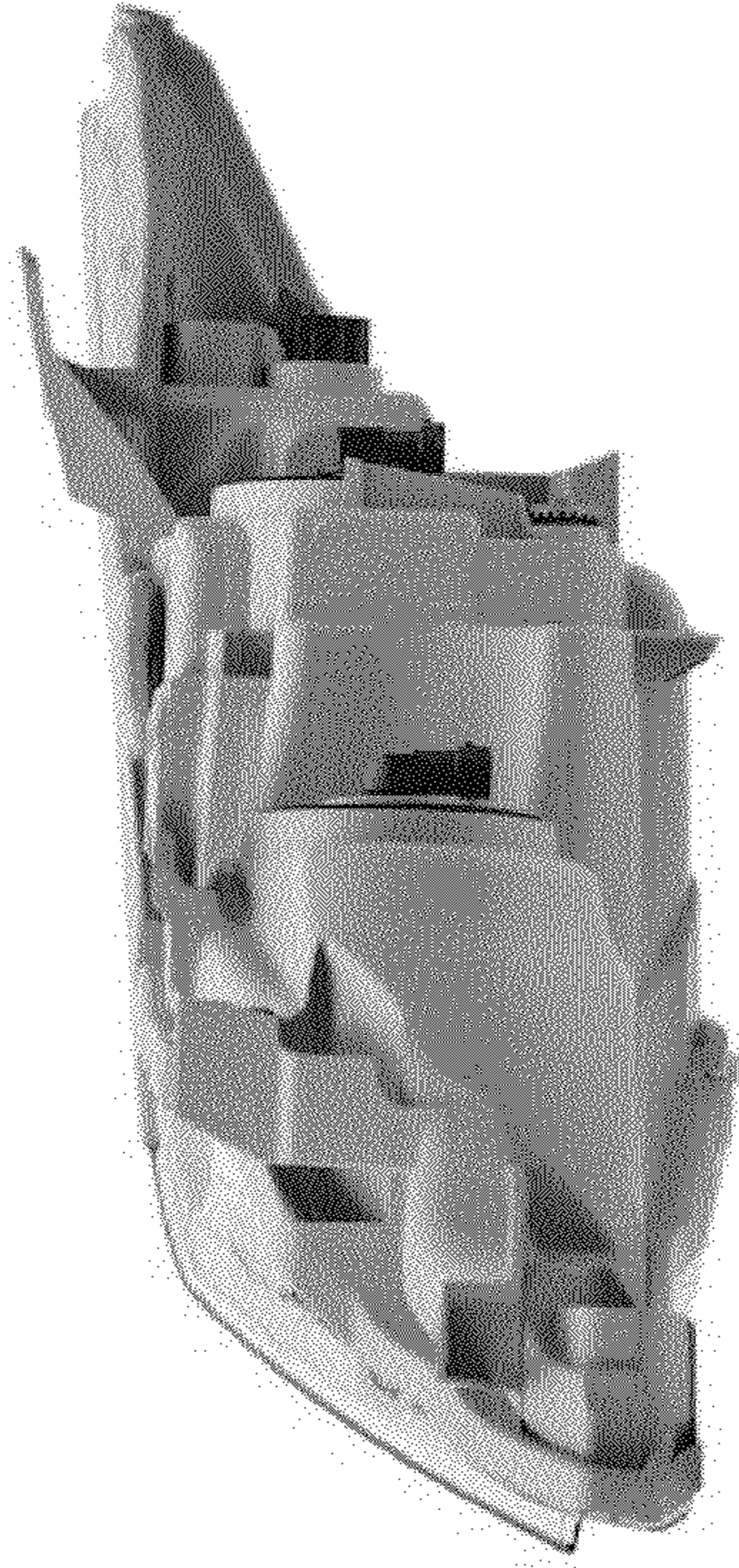


FIG. 5

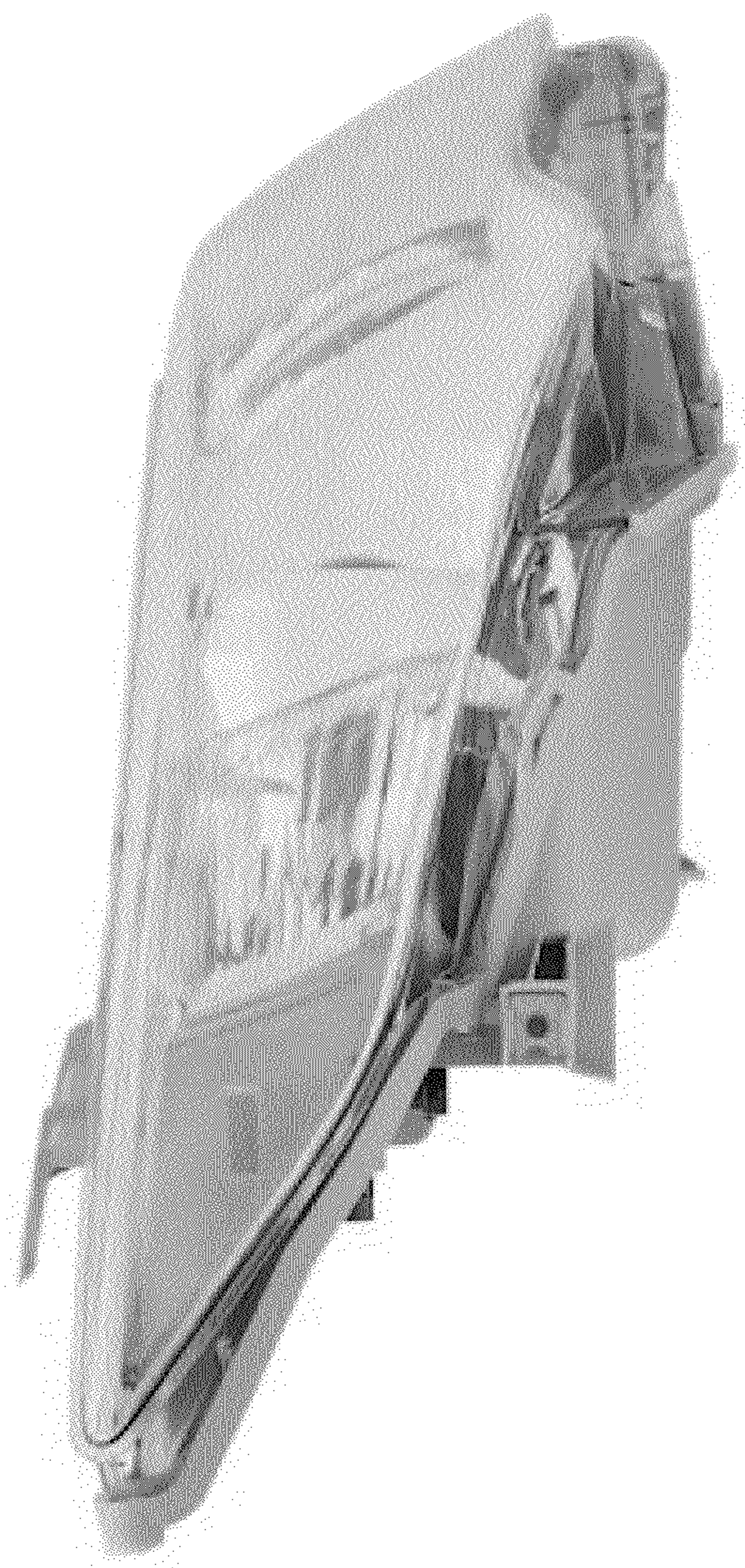


FIG. 6