



US00D656640S

(12) **United States Design Patent**
Fukui et al.

(10) **Patent No.:** **US D656,640 S**
(45) **Date of Patent:** **** Mar. 27, 2012**

(54) **REAR COMBINATION LAMP FOR AN
AUTOMOBILE**

(75) Inventors: **Hirofumi Fukui**, Kariya (JP); **Akira
Ishiguro**, Kariya (JP)

(73) Assignee: **Toyota Jidosha Kabushiki Kaisha**,
Toyota-shi (JP)

(**) Term: **14 Years**

(21) Appl. No.: **29/388,639**

(22) Filed: **Mar. 31, 2011**

(51) **LOC (9) Cl.** **26-06**

(52) **U.S. Cl.** **D26/28**

(58) **Field of Classification Search** D26/28-36;
362/459-468, 475-478, 485-487
See application file for complete search history.

(56) **References Cited**

U.S. PATENT DOCUMENTS

D531,328 S	10/2006	Okamura et al.	
D549,363 S *	8/2007	Pfeiffer	D26/28
D552,769 S *	10/2007	Leclercq	D26/28
D553,268 S *	10/2007	Pfeiffer	D26/28
D553,269 S *	10/2007	Pfeiffer et al.	D26/28
D565,211 S *	3/2008	Haller et al.	D26/28
D570,015 S *	5/2008	Hsu	D26/28
D592,770 S *	5/2009	Bauer et al.	D26/28
D602,616 S	10/2009	Okamura et al.	
D605,793 S *	12/2009	Weil	D26/28
D620,157 S *	7/2010	Frenzel et al.	D26/28

OTHER PUBLICATIONS

Catalog of Jaguar, Jaguar XF, Mfg. Jaguar, Pub.—Jaguar Japan, Oct. 2007.

Catalog of Option Parts, Nissan Fuga, Mfg. Nissan, Pub.—Nissan Jidosha Kabushiki Kaisha, Nov. 2009.

* cited by examiner

Primary Examiner — Marcus Jackson

(74) *Attorney, Agent, or Firm* — Finnegan, Henderson, Farabow, Garrett & Dunner, LLP

(57) **CLAIM**

The ornamental design for a rear combination lamp for an automobile, as shown and described.

DESCRIPTION

FIG. 1 is a front perspective view of a first embodiment of a rear combination lamp for an automobile of our new design; FIG. 2 is a front view thereof; FIG. 3 is a top plan view thereof; FIG. 4 is a bottom view thereof; FIG. 5 is a right side view thereof; FIG. 6 is a left side view thereof; FIG. 7 is a front perspective view of a second embodiment of a rear combination lamp for an automobile of our new design; FIG. 8 is a front view thereof; FIG. 9 is a top plan view thereof; FIG. 10 is a bottom view thereof; FIG. 11 is a right side view thereof; and, FIG. 12 is a left side view thereof. Our design includes the mirror images of the embodiments depicted.

1 Claim, 6 Drawing Sheets

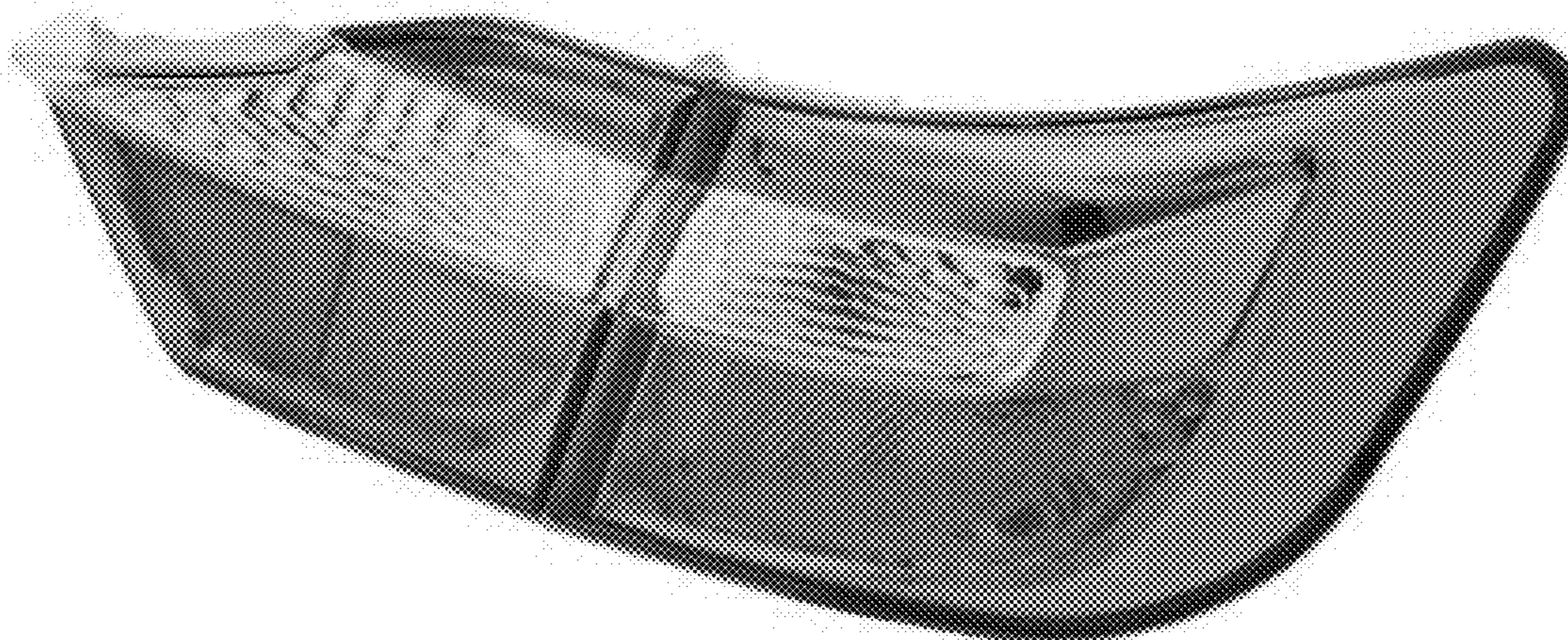




FIG. 1

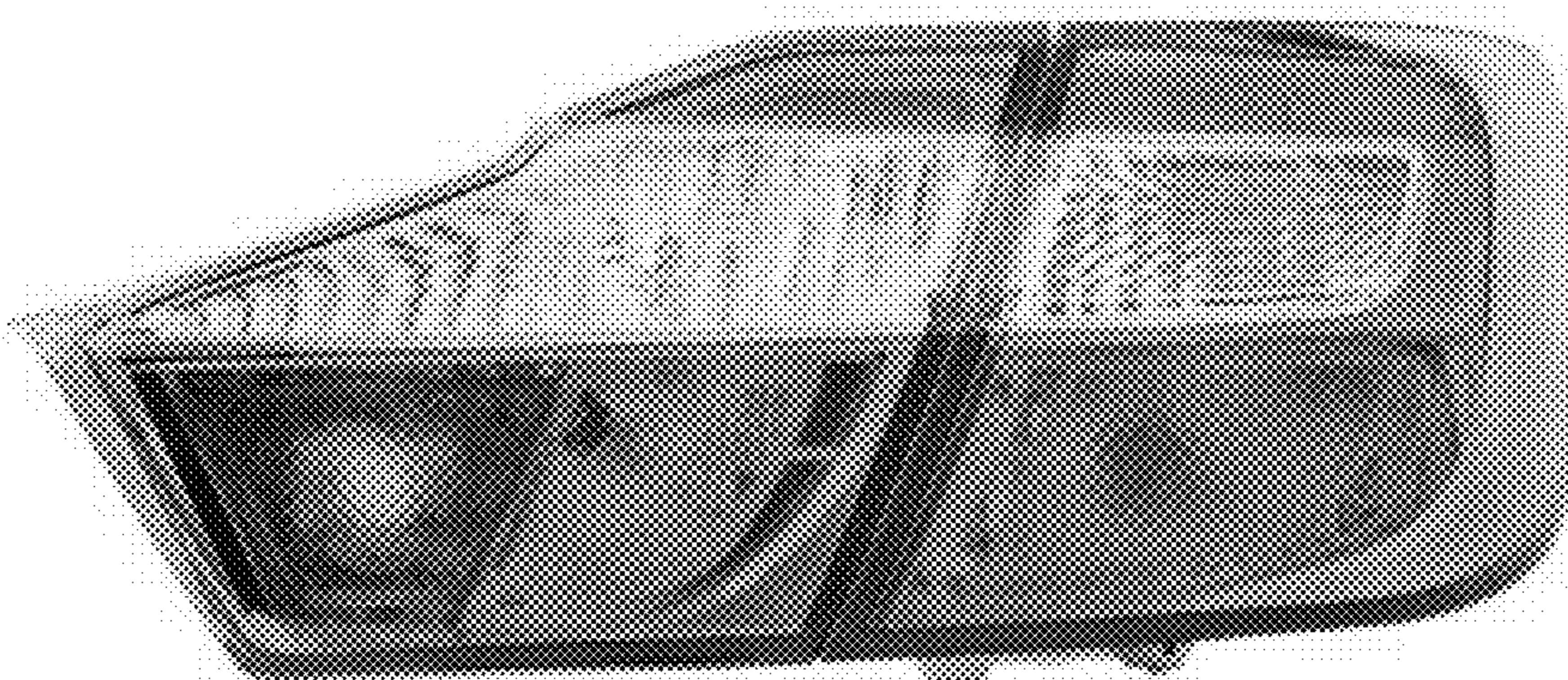


FIG. 2

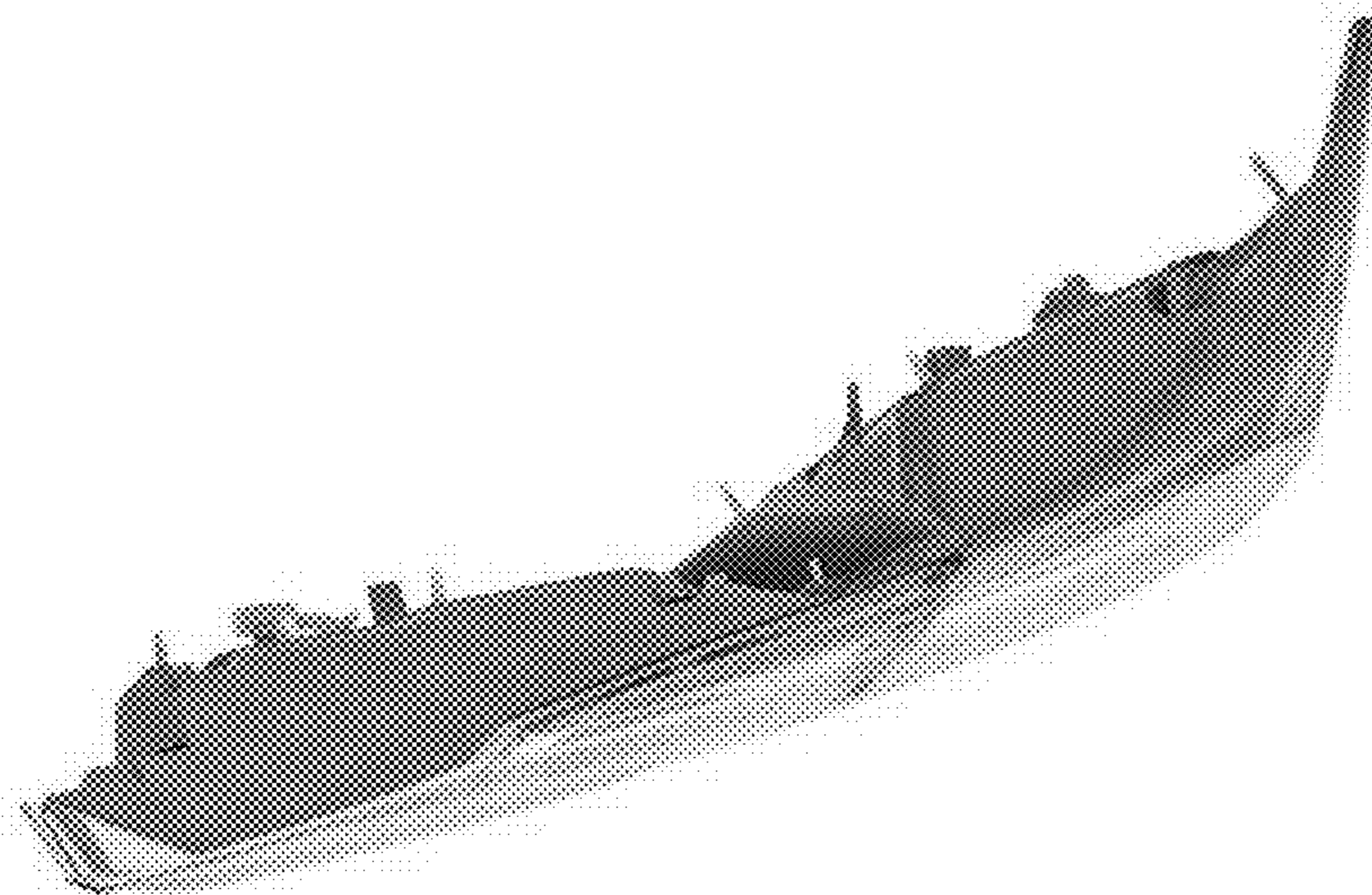


FIG. 3

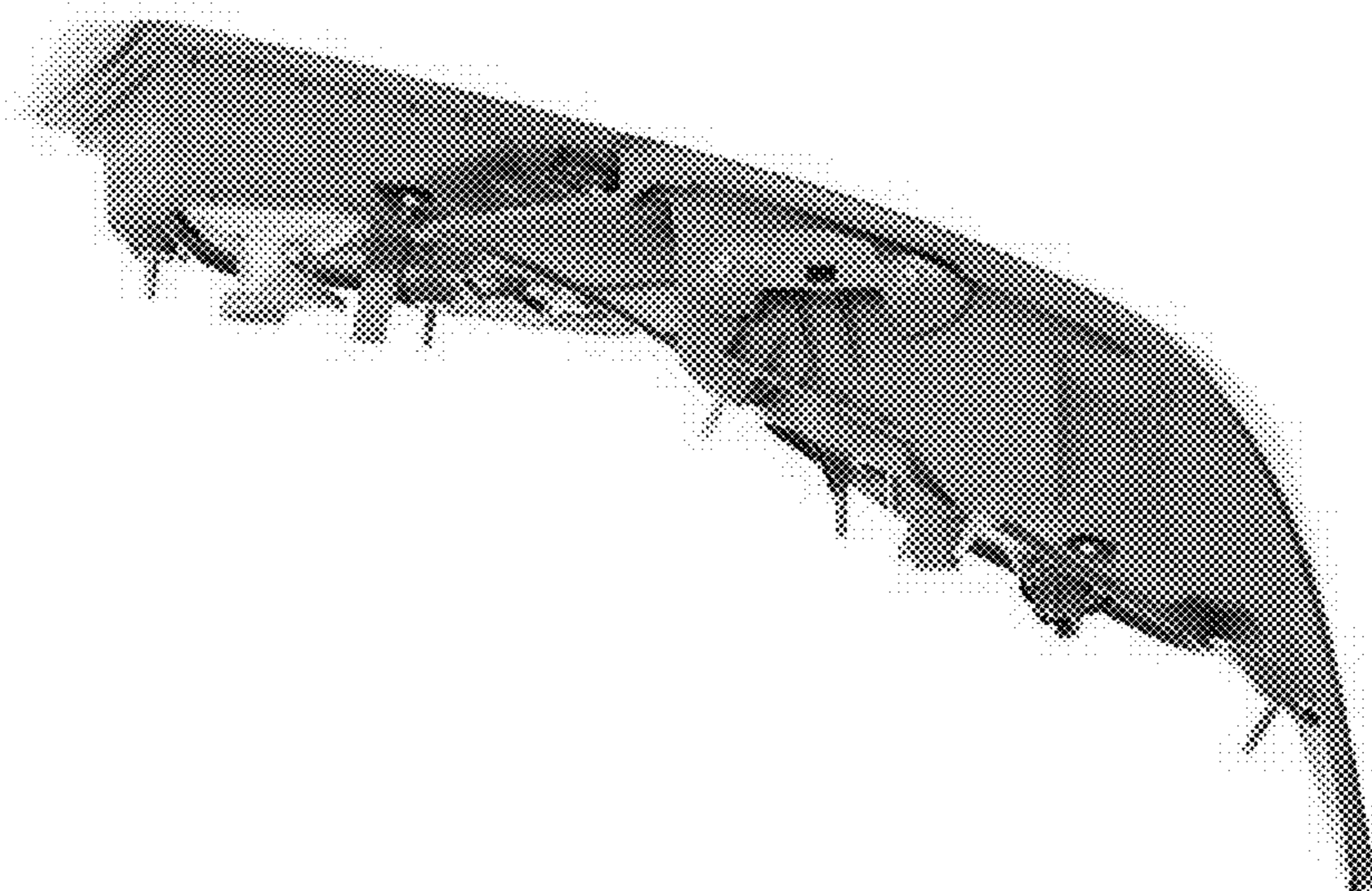


FIG. 4

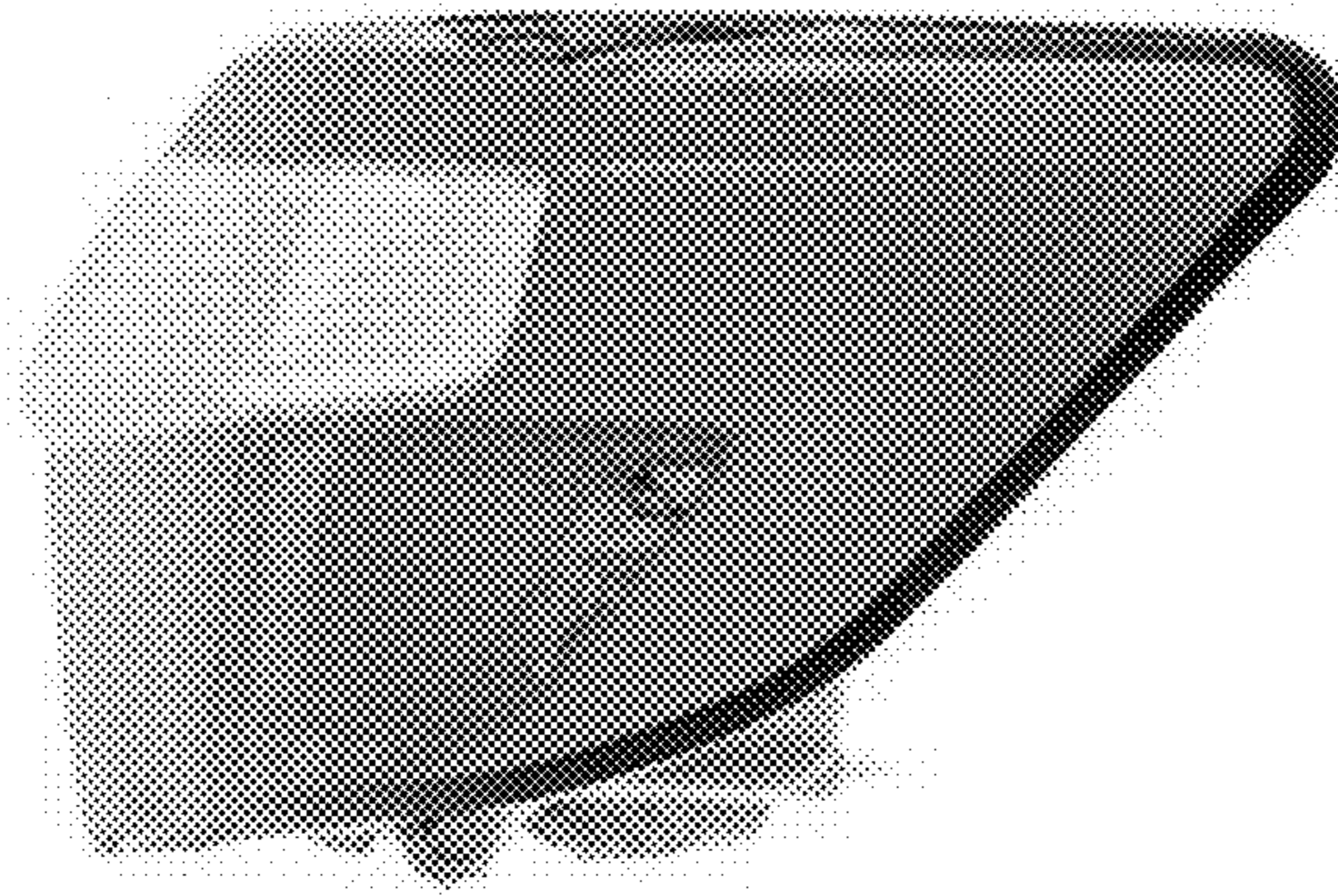


FIG. 5

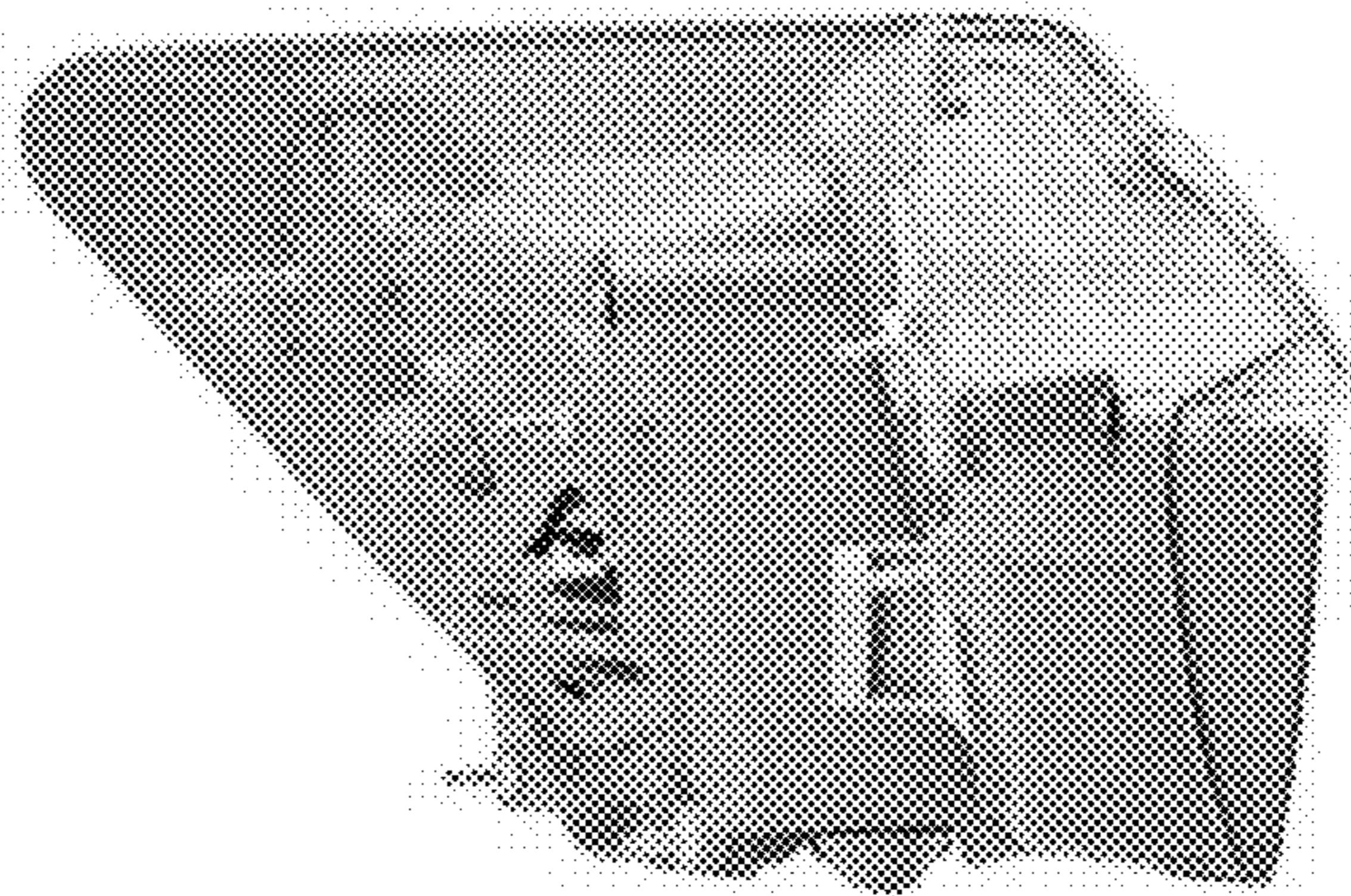


FIG. 6



FIG. 7

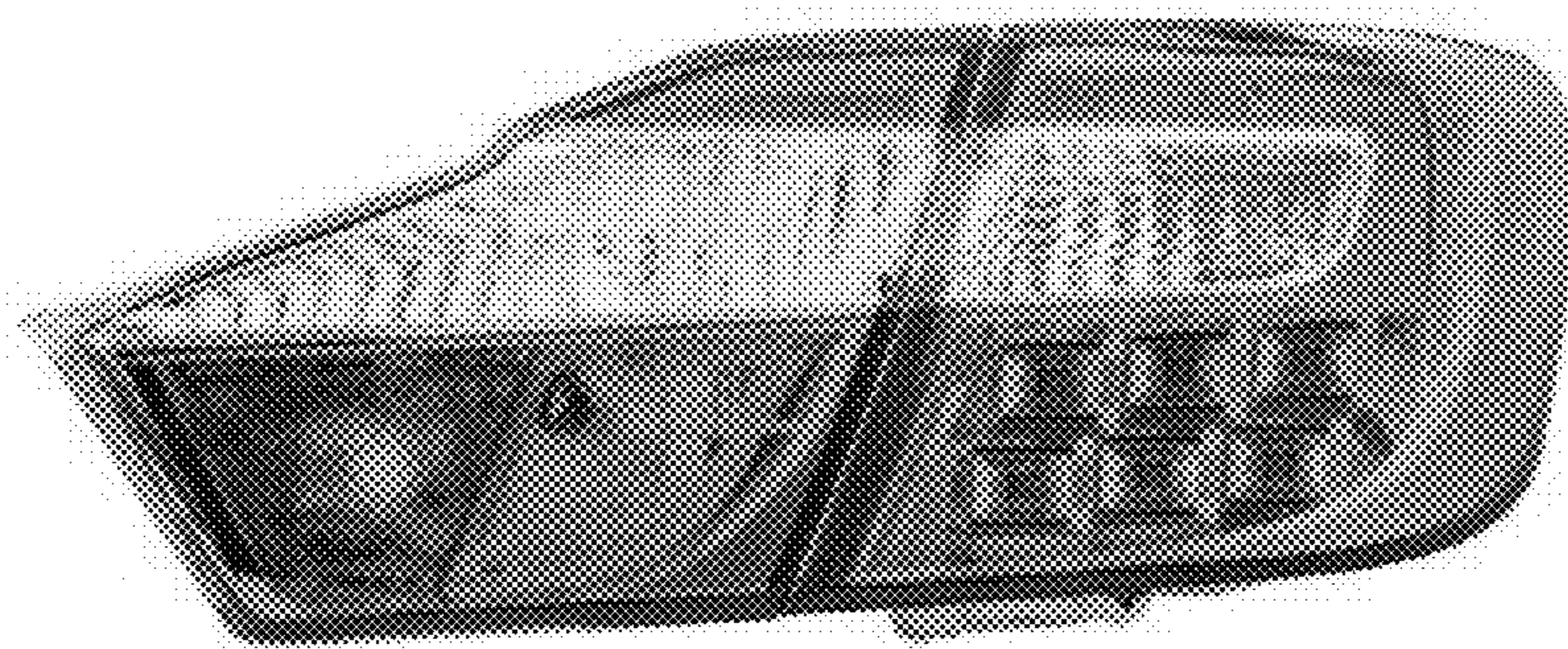


FIG. 8

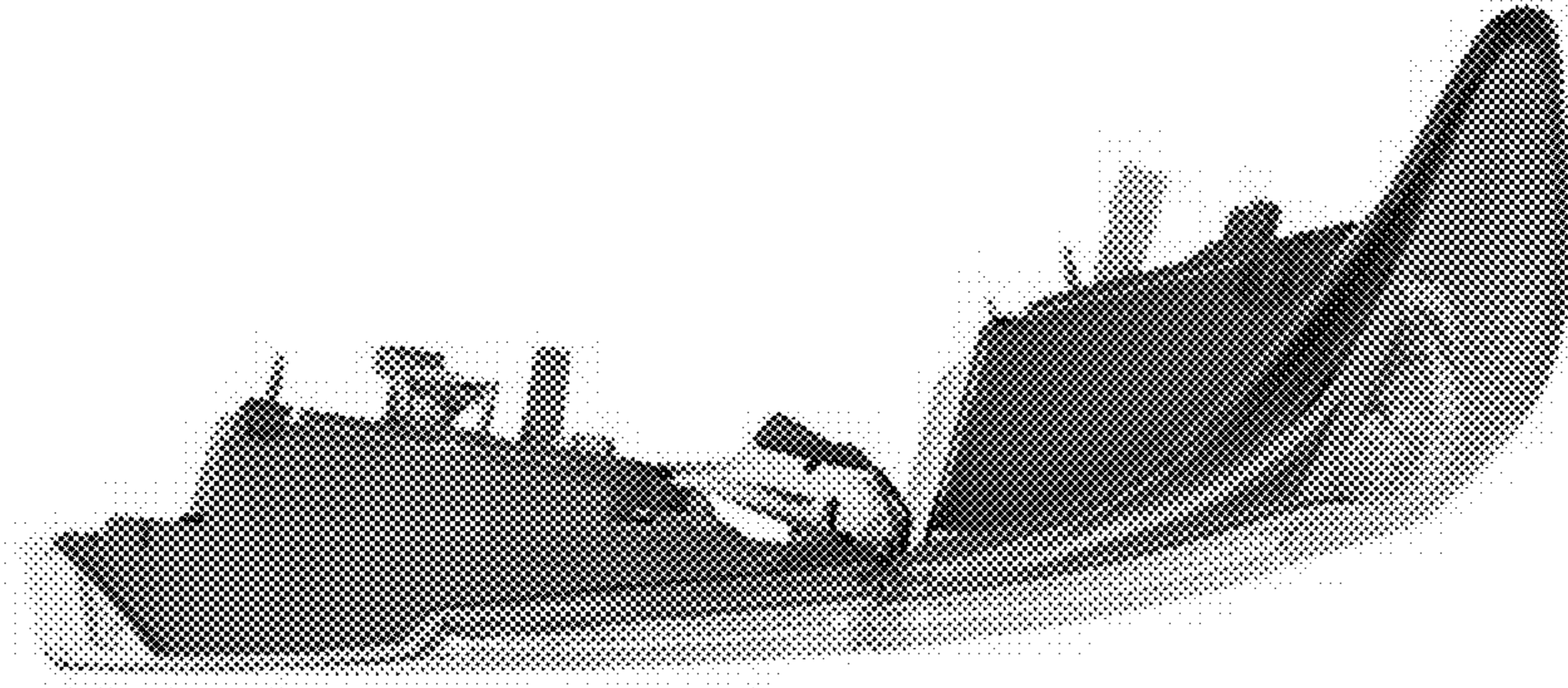


FIG. 9

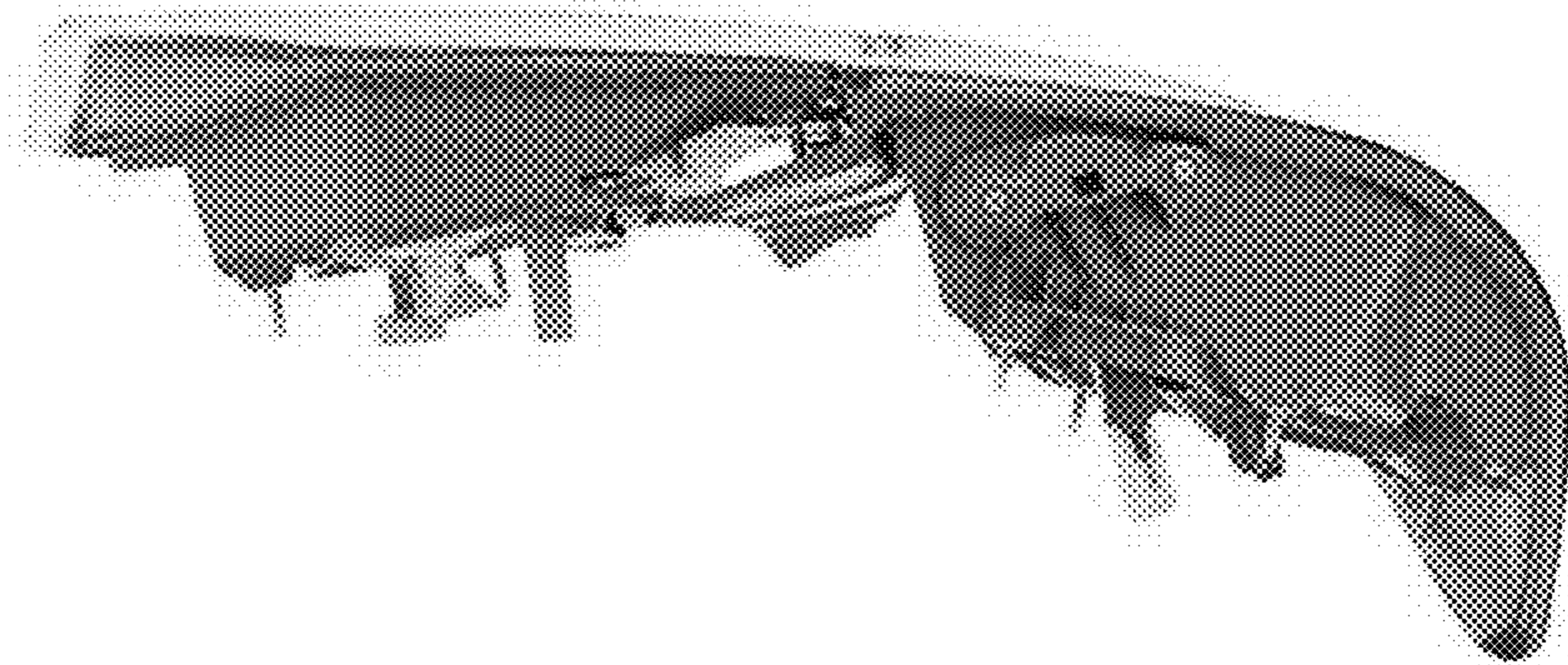


FIG. 10

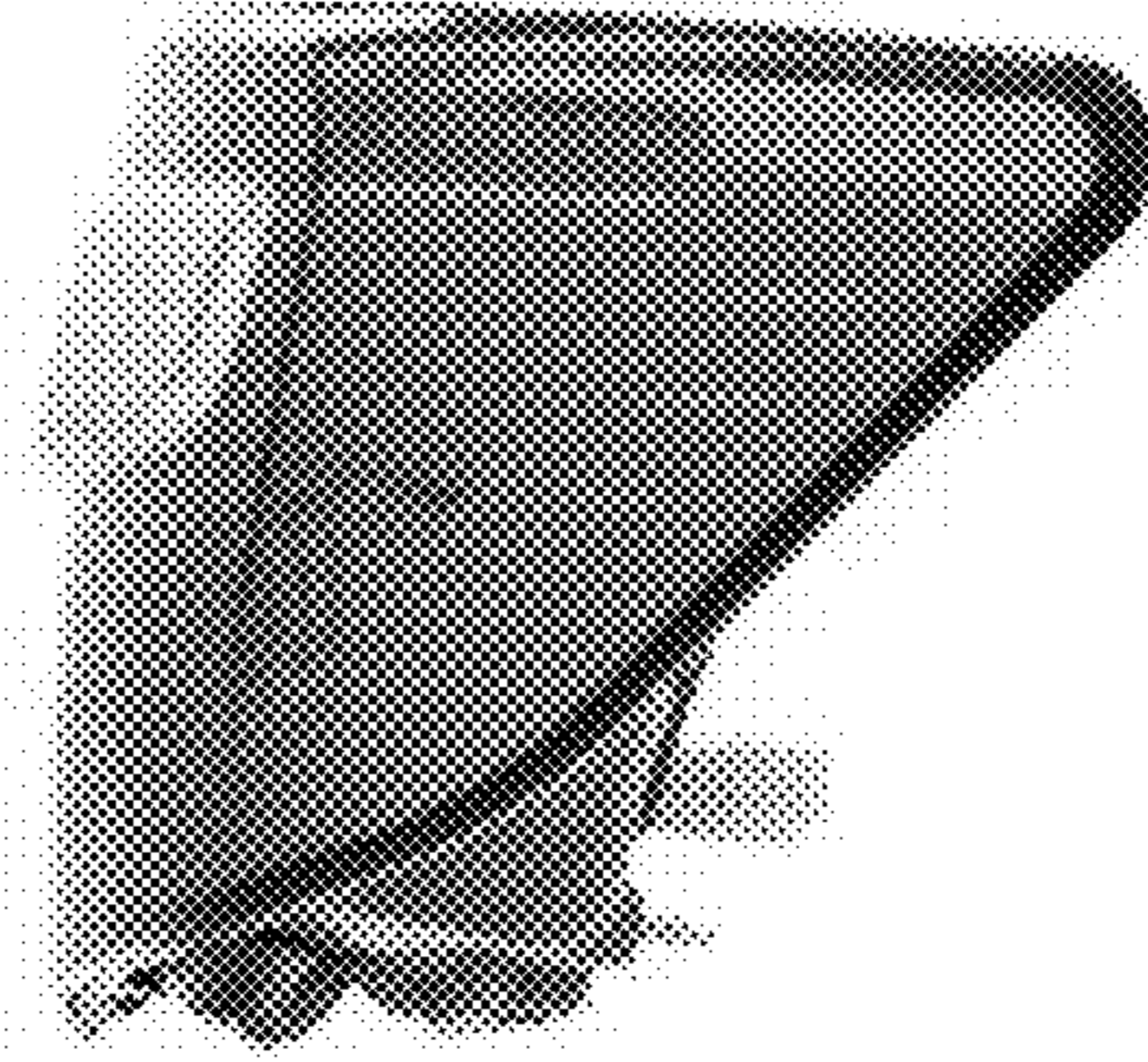


FIG. 11

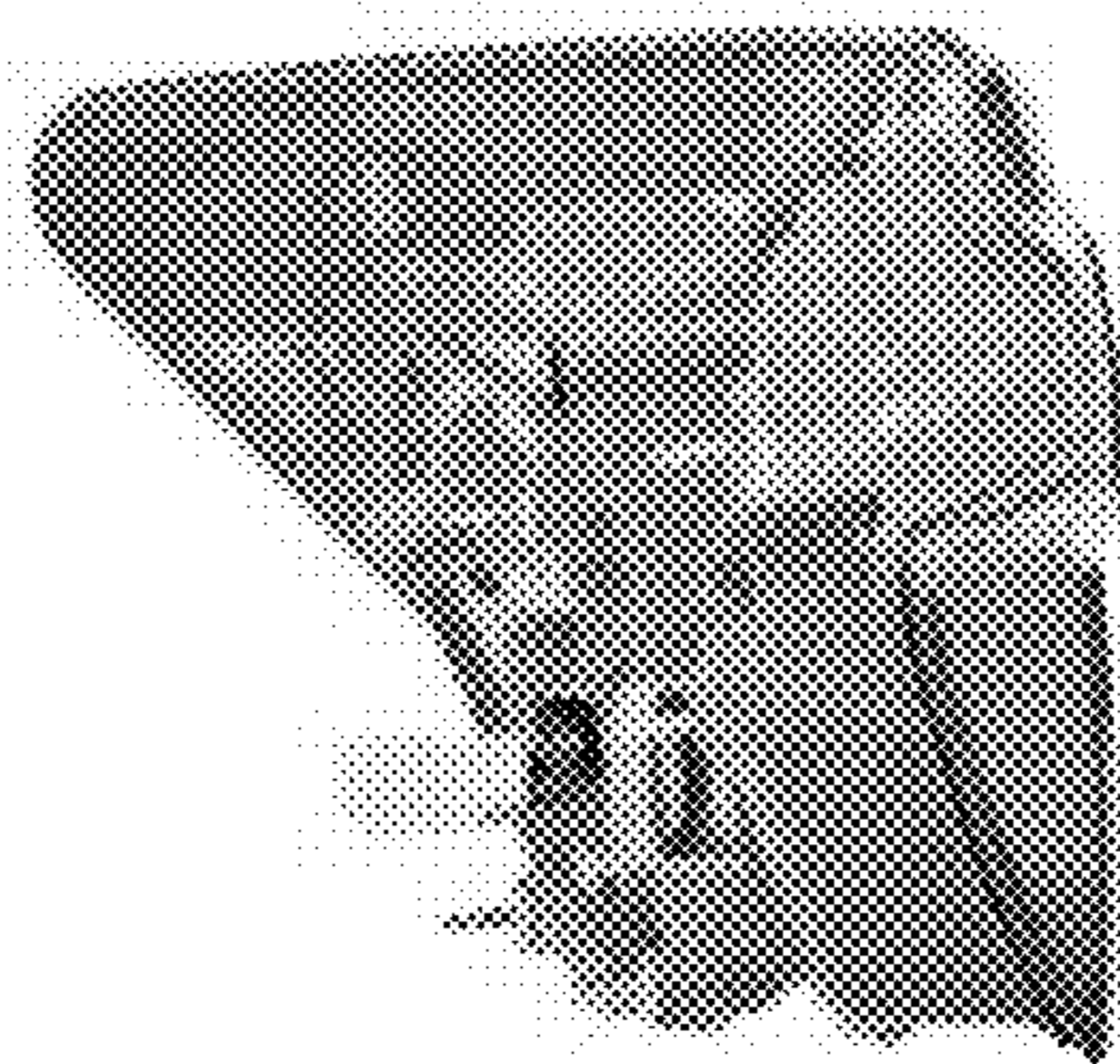


FIG. 12