



US00D656637S

(12) **United States Design Patent**  
**Choo et al.**

(10) **Patent No.:** **US D656,637 S**  
(45) **Date of Patent:** **\*\* Mar. 27, 2012**

(54) **REAR COMBINATION LAMP FOR  
AUTOMOBILES**

(75) Inventors: **Dong Hoon Choo**, Gyeonggi-Do (KR);  
**Sung Wook Kim**, Seoul (KR)

(73) Assignee: **Kia Motors Corporation**, Seoul (KR)

(\*\*) Term: **14 Years**

(21) Appl. No.: **29/373,364**

(22) Filed: **Mar. 31, 2011**

(51) **LOC (9) Cl.** ..... **26-06**

(52) **U.S. Cl.** ..... **D26/28**

(58) **Field of Classification Search** ..... D26/28-36;  
362/459-468, 475-478, 485-487

See application file for complete search history.

(56) **References Cited**

**U.S. PATENT DOCUMENTS**

D549,363	S	*	8/2007	Pfeiffer	.....	D26/28
D552,769	S	*	10/2007	Leclercq	.....	D26/28
D553,268	S	*	10/2007	Pfeiffer	.....	D26/28
D560,292	S	*	1/2008	Sato	.....	D26/28
D561,357	S	*	2/2008	Leclercq	.....	D26/28
D570,015	S	*	5/2008	Hsu	.....	D26/28
D644,364	S	*	8/2011	Chang et al.	.....	D26/28

\* cited by examiner

*Primary Examiner* — Marcus Jackson

(74) *Attorney, Agent, or Firm* — Edwards Wildman Palmer  
LLP

(57) **CLAIM**

The ornamental design for a rear combination lamp for automobiles, as shown and described.

**DESCRIPTION**

FIG. 1 is a perspective view of a rear combination lamp for automobiles according to the present invention.

FIG. 2 is a front view of the rear combination lamp for automobiles of FIG. 1.

FIG. 3 is a rear view of the rear combination lamp for automobiles of FIG. 1.

FIG. 4 is a left side view of the rear combination lamp for automobiles of FIG. 1.

FIG. 5 is a right side view of the rear combination lamp for automobiles of FIG. 1.

FIG. 6 is a top view of the rear combination lamp for automobiles of FIG. 1; and,

FIG. 7 is a bottom view of the rear combination lamp for automobiles of FIG. 1.

**1 Claim, 7 Drawing Sheets**



FIG. 1



FIG. 2

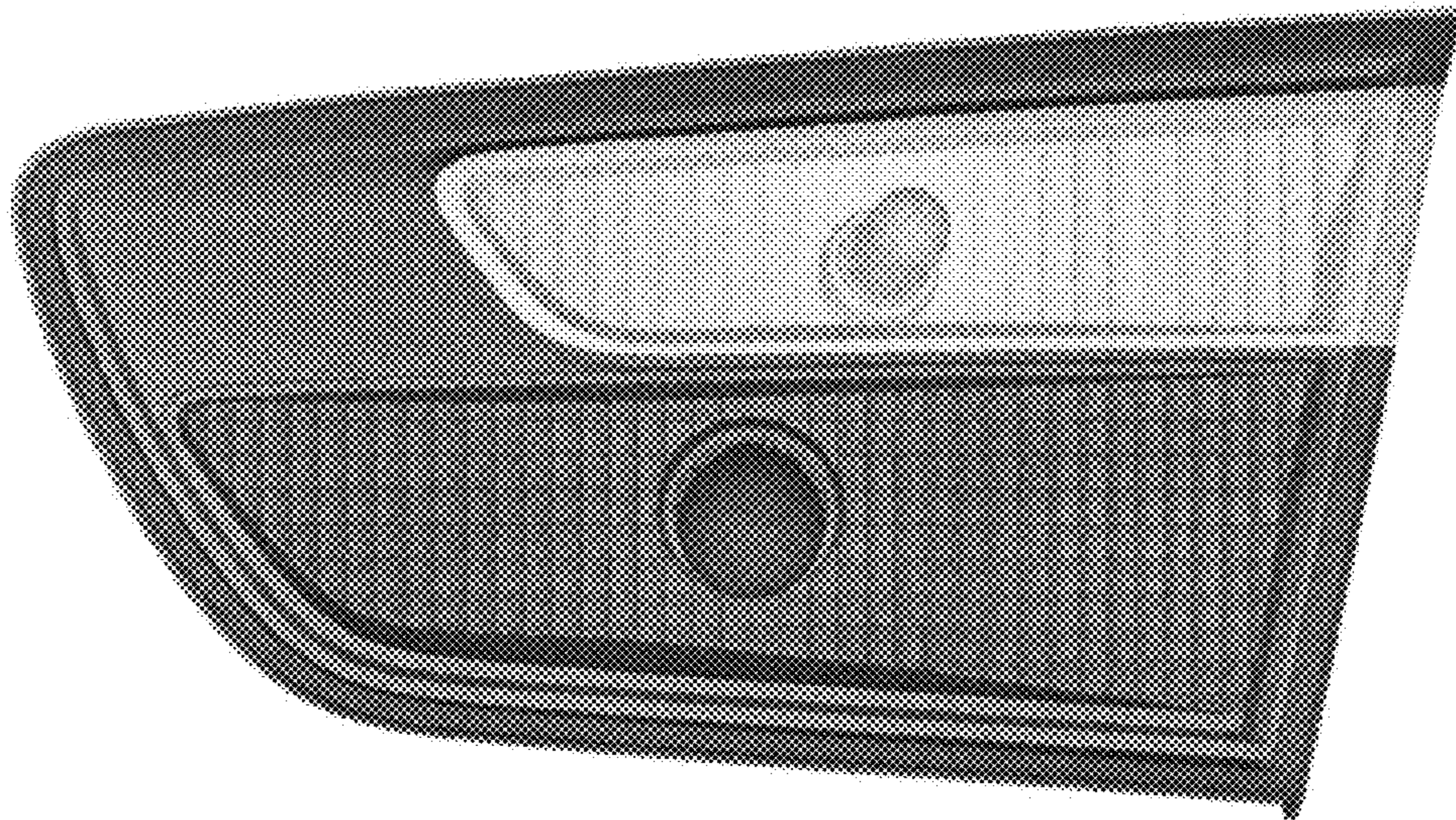


FIG. 3

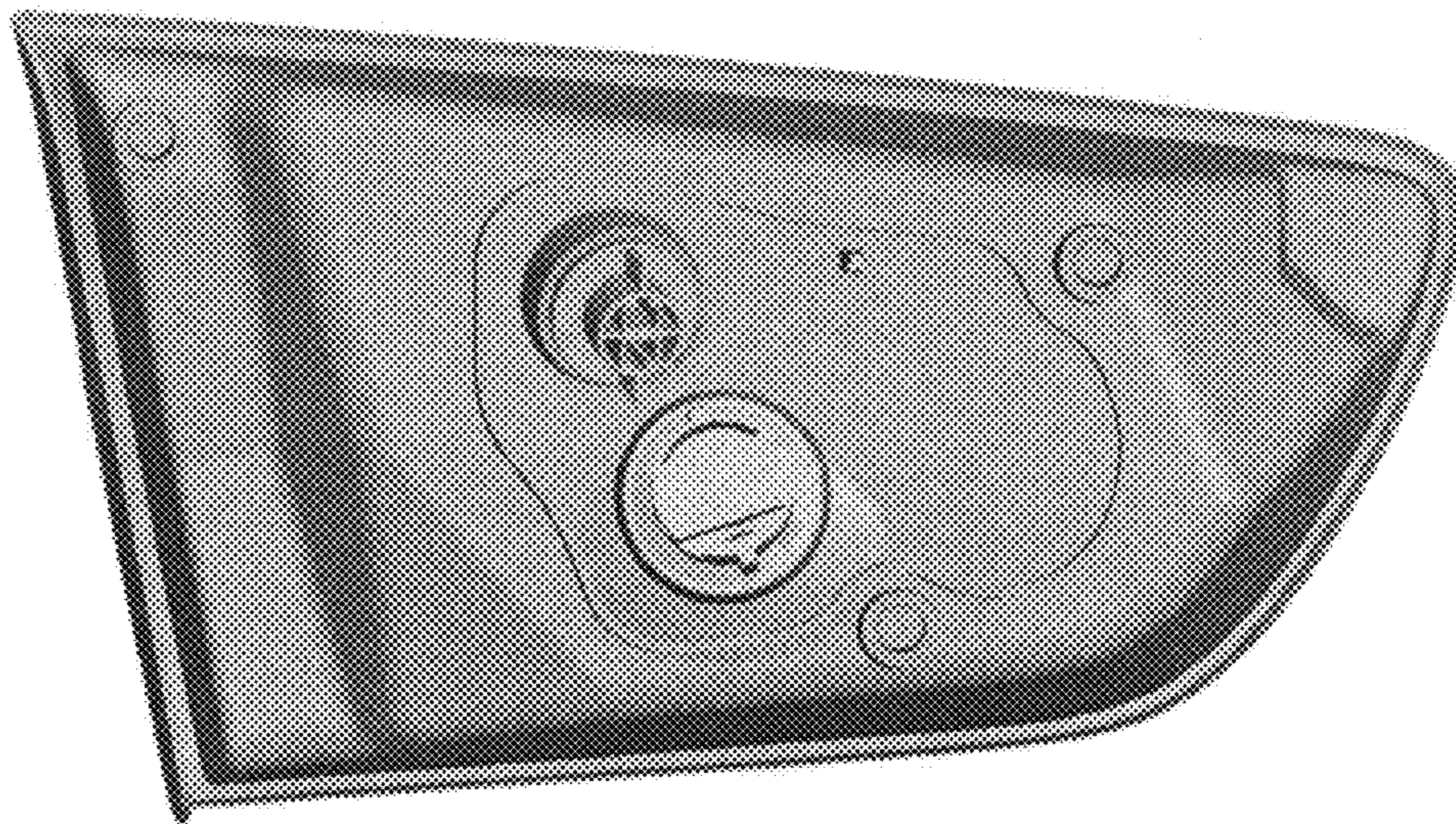


FIG. 4

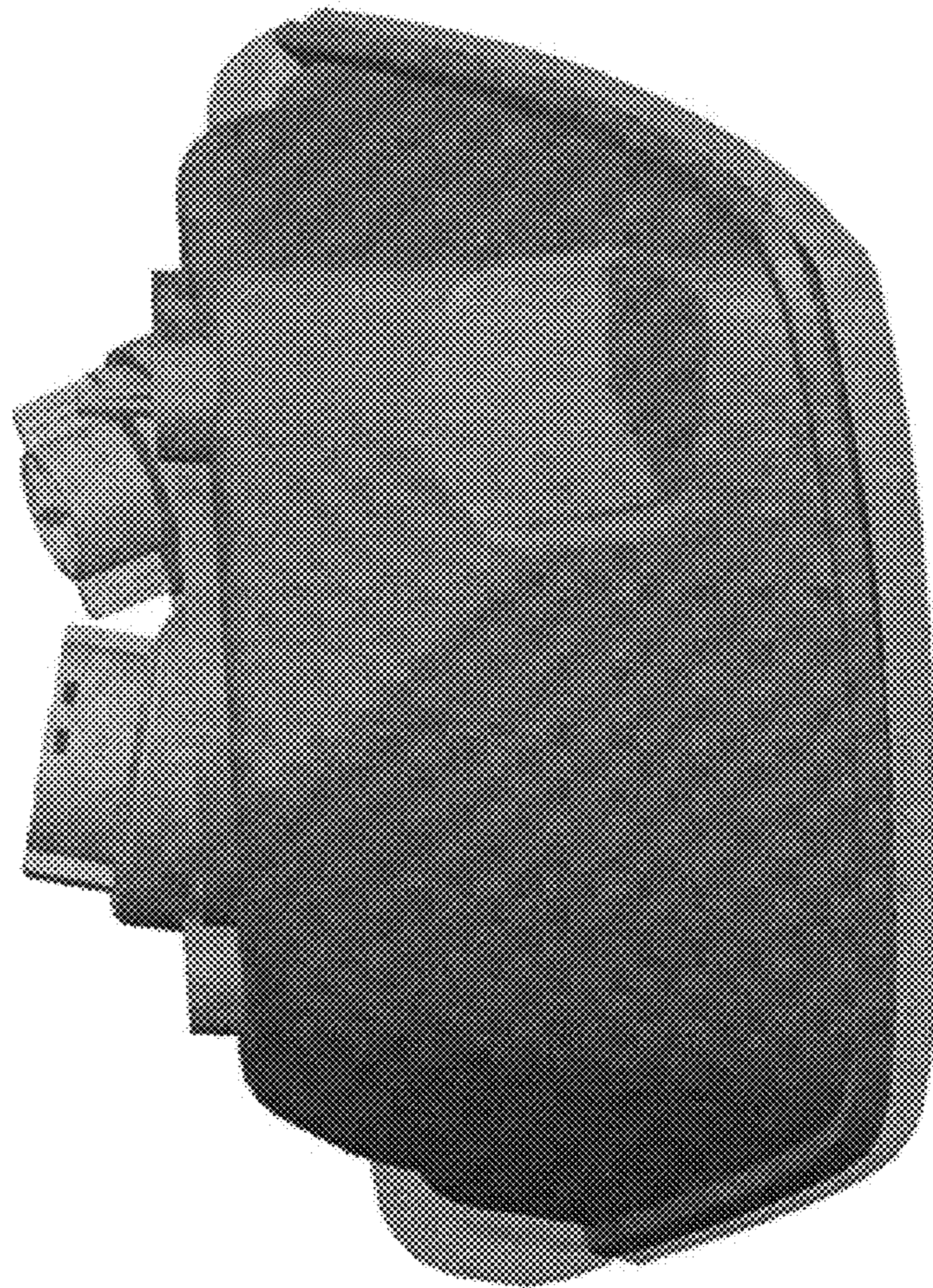


FIG. 5

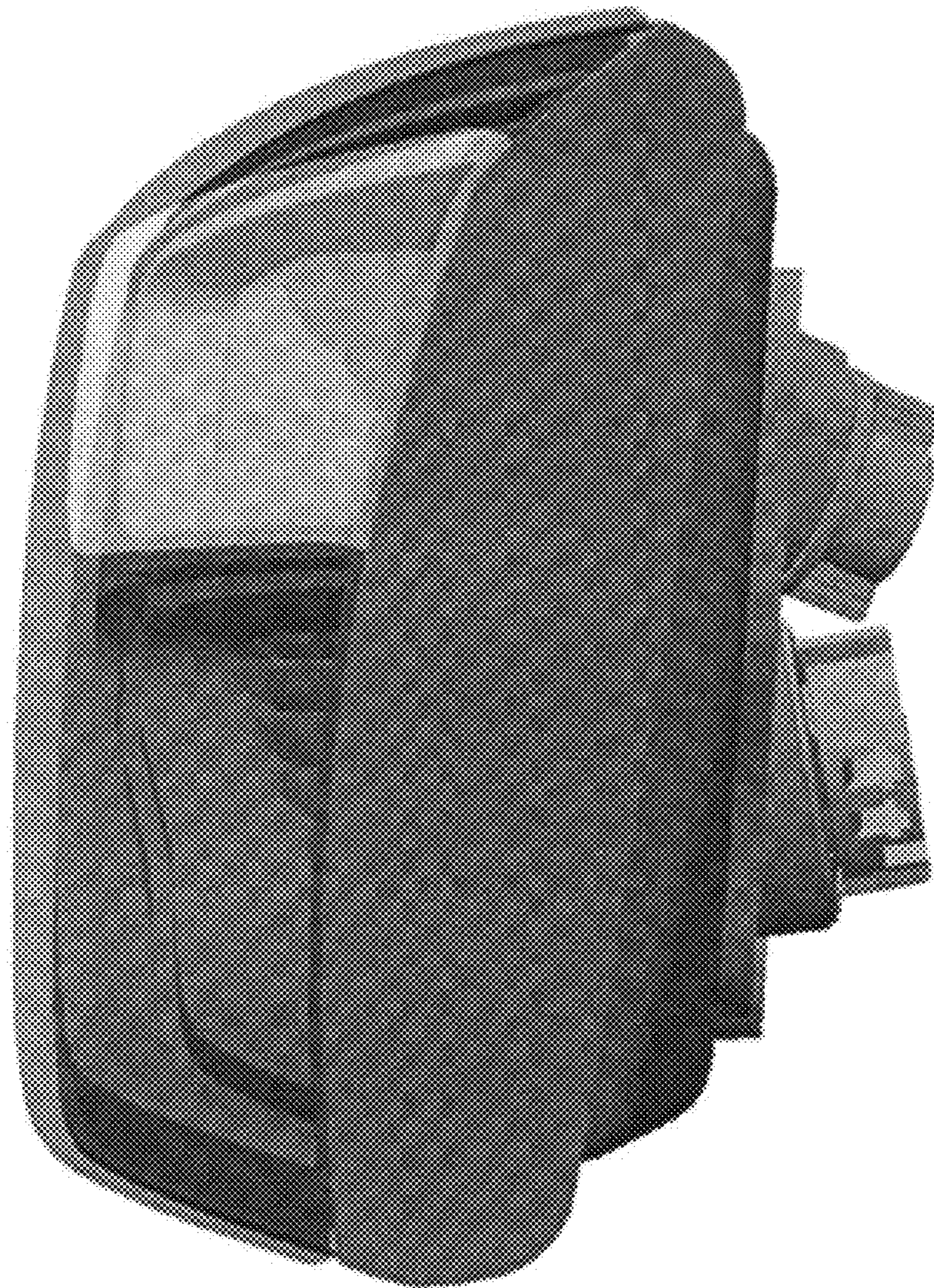


FIG. 6

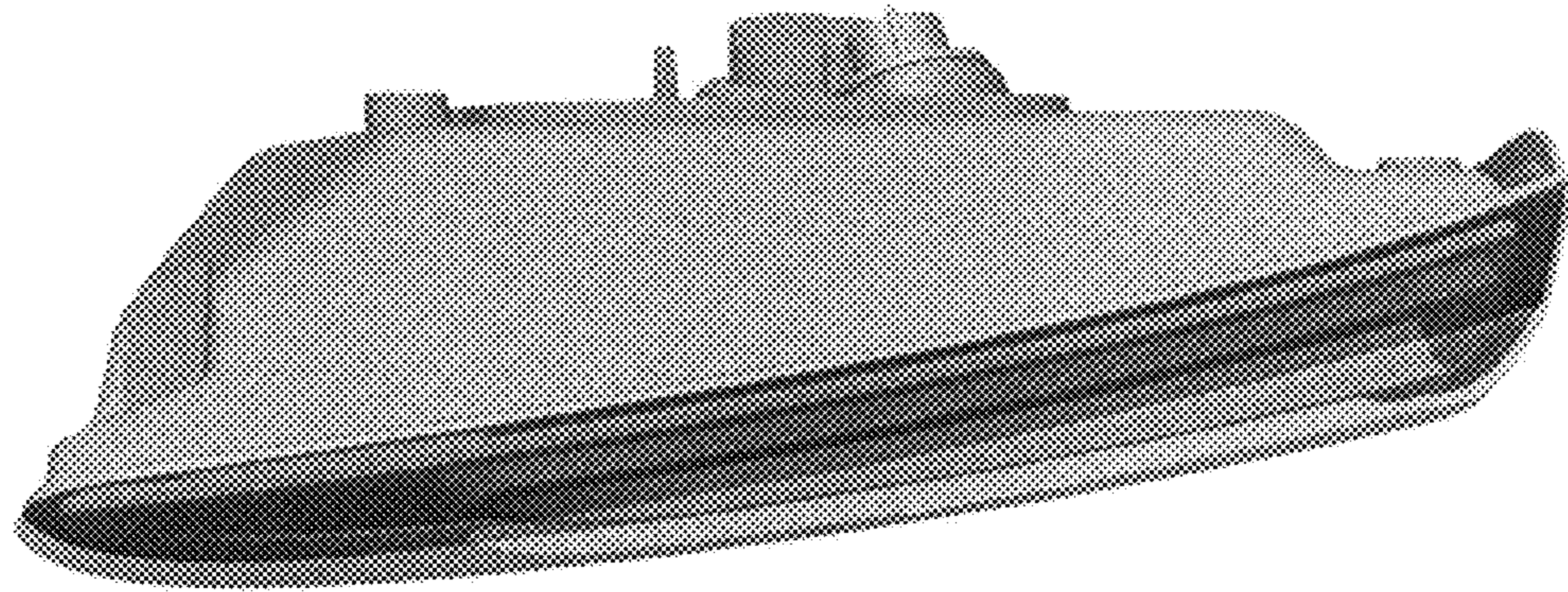
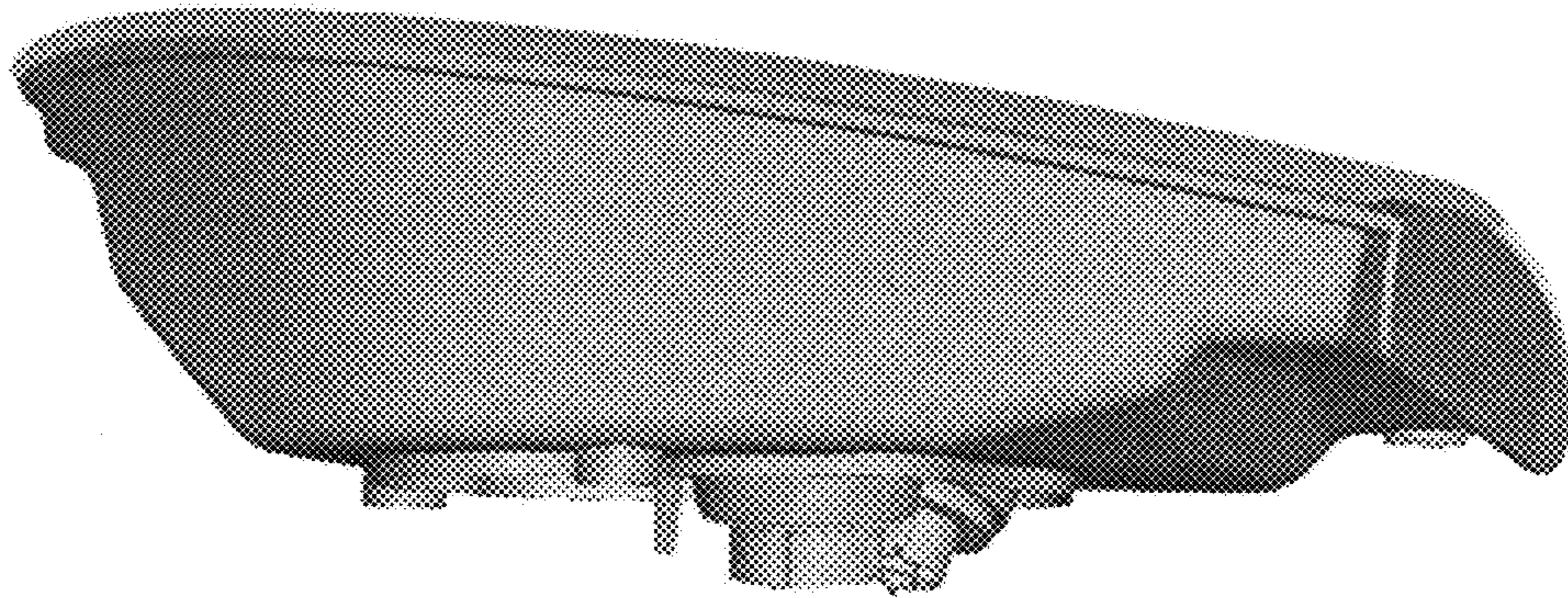


FIG. 7





UNITED STATES PATENT AND TRADEMARK OFFICE  
**CERTIFICATE OF CORRECTION**

PATENT NO. : D656,637 S  
APPLICATION NO. : 29/373364  
DATED : March 27, 2012  
INVENTOR(S) : Dong Hoon Choo et al.

Page 1 of 1

It is certified that error appears in the above-identified patent and that said Letters Patent is hereby corrected as shown below:

Title page of the patent, add item 30:

**Foreign Application Priority Data**

**March 17, 2011 (KR) 30-2011-0010751**

Signed and Sealed this  
Twenty-eighth Day of August, 2012

A handwritten signature in black ink that reads "David J. Kappos". The signature is written in a cursive, slightly slanted style.

David J. Kappos  
*Director of the United States Patent and Trademark Office*