



US00D656631S

(12) **United States Design Patent**
Leahy et al.

(10) **Patent No.:** **US D656,631 S**
(45) **Date of Patent:** **** Mar. 27, 2012**

(54) **LED LAMP**

(75) Inventors: **James Leahy**, Old Greenwich, CT (US);
Edward Rodriguez, Wakefield, MA (US)

(73) Assignee: **Solais Lighting, Inc.**, Stamford, CT (US)

(**) Term: **14 Years**

(21) Appl. No.: **29/359,944**

(22) Filed: **Apr. 16, 2010**

(51) **LOC (9) Cl.** **26-04**

(52) **U.S. Cl.** **D26/2**

(58) **Field of Classification Search** D26/1-4;
313/313, 315, 316, 317, 318, 493; 315/52,
315/53, 56, 57, 58

See application file for complete search history.

(56) **References Cited**

U.S. PATENT DOCUMENTS

D582,578 S	*	12/2008	Tsai et al.	D26/2
D594,995 S	*	6/2009	Komar	D26/2
D610,271 S	*	2/2010	Bi	D26/2

* cited by examiner

Primary Examiner — Marcus Jackson

(74) *Attorney, Agent, or Firm* — Kristofer E. Elbing

(57) **CLAIM**

The ornamental design for a LED lamp, as shown and described.

DESCRIPTION

This application is related to our U.S. Utility patent application Ser. No. 61/325,134 entitled "Miniature Cellular Structure for Retrofit LED Lamp Secondary Optics" filed on the same day as the present application. This application is also related to a design application filed on the same day as this application and entitled LED Lamp and two design applications U.S. application Ser. Nos. 29/359,943 and 29/359,946 filed on the same day as this application and entitled LED Lamp Face.

FIG. 1 is a front perspective view of an LED lamp showing our new design;

FIG. 2 is a rear perspective view of the LED lamp of FIG. 1;

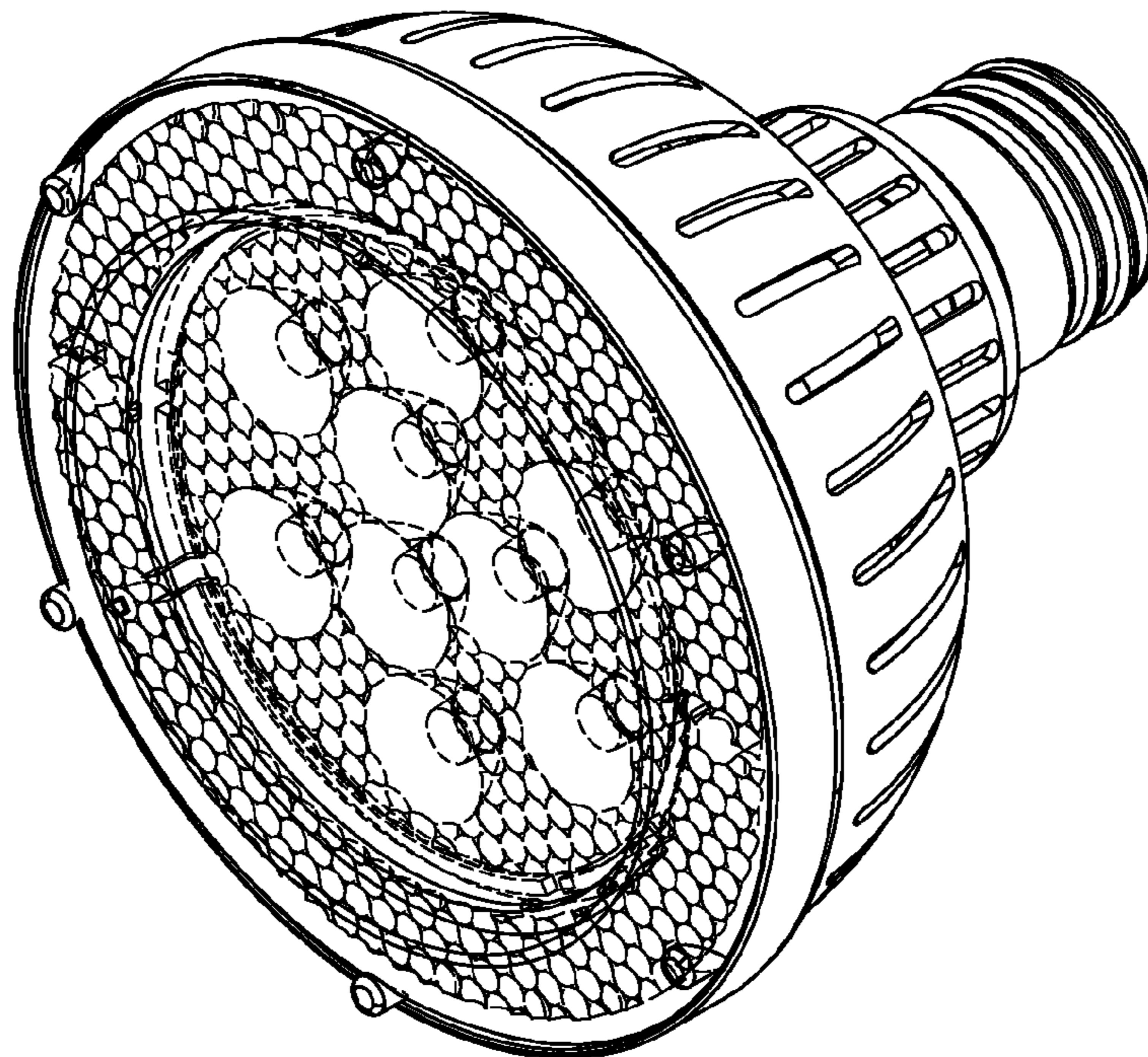
FIG. 3 is a side elevation view of the LED lamp of FIG. 1;

FIG. 4 is a front elevation view of the LED lamp of FIG. 1;

FIG. 5 is another side elevation view of the LED lamp of FIG. 1 inverted with respect to the view of FIG. 3; and,

FIG. 6 is a rear elevation view of the LED lamp of FIG. 1.

1 Claim, 3 Drawing Sheets



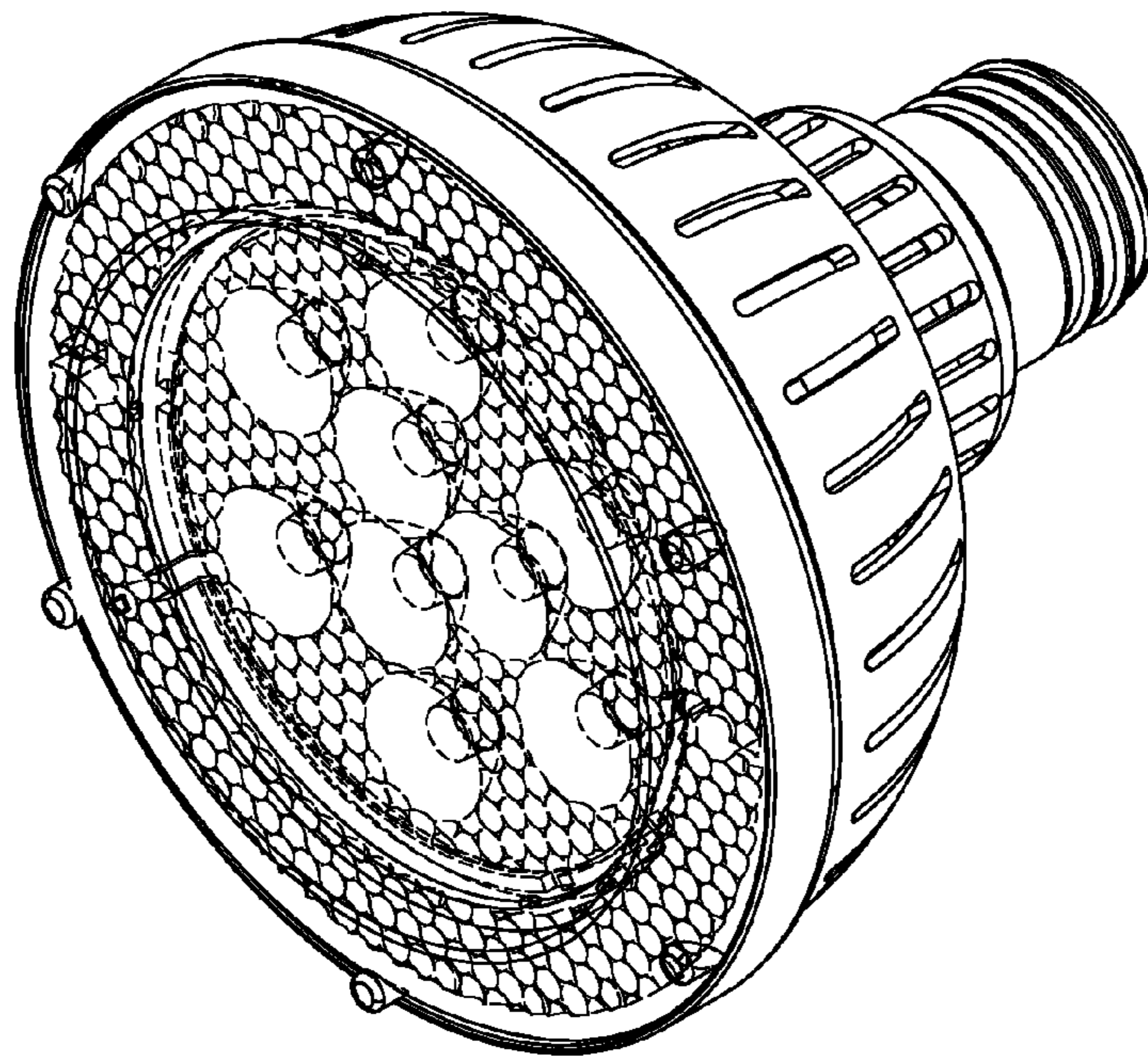


FIG. 1

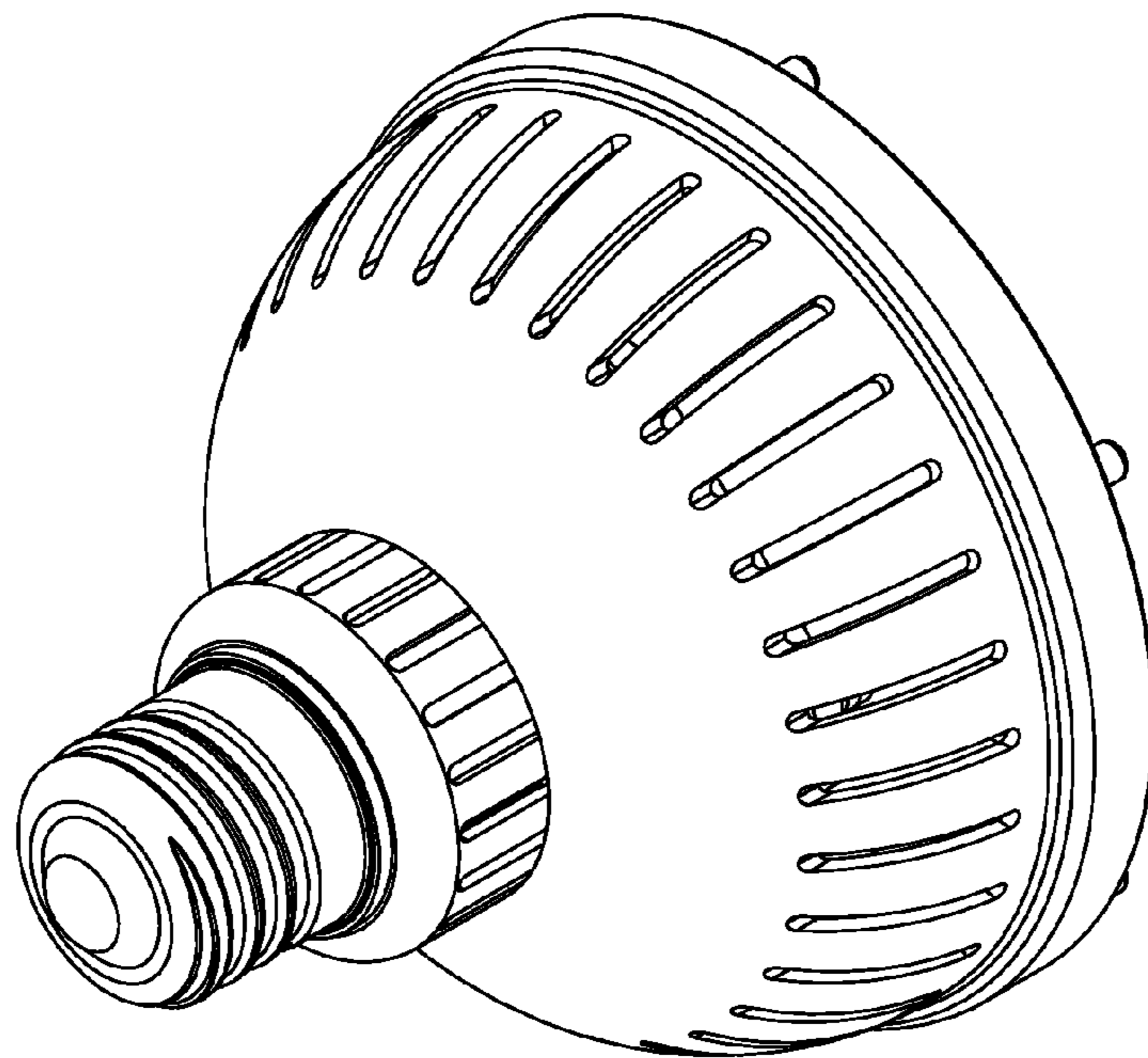


FIG. 2

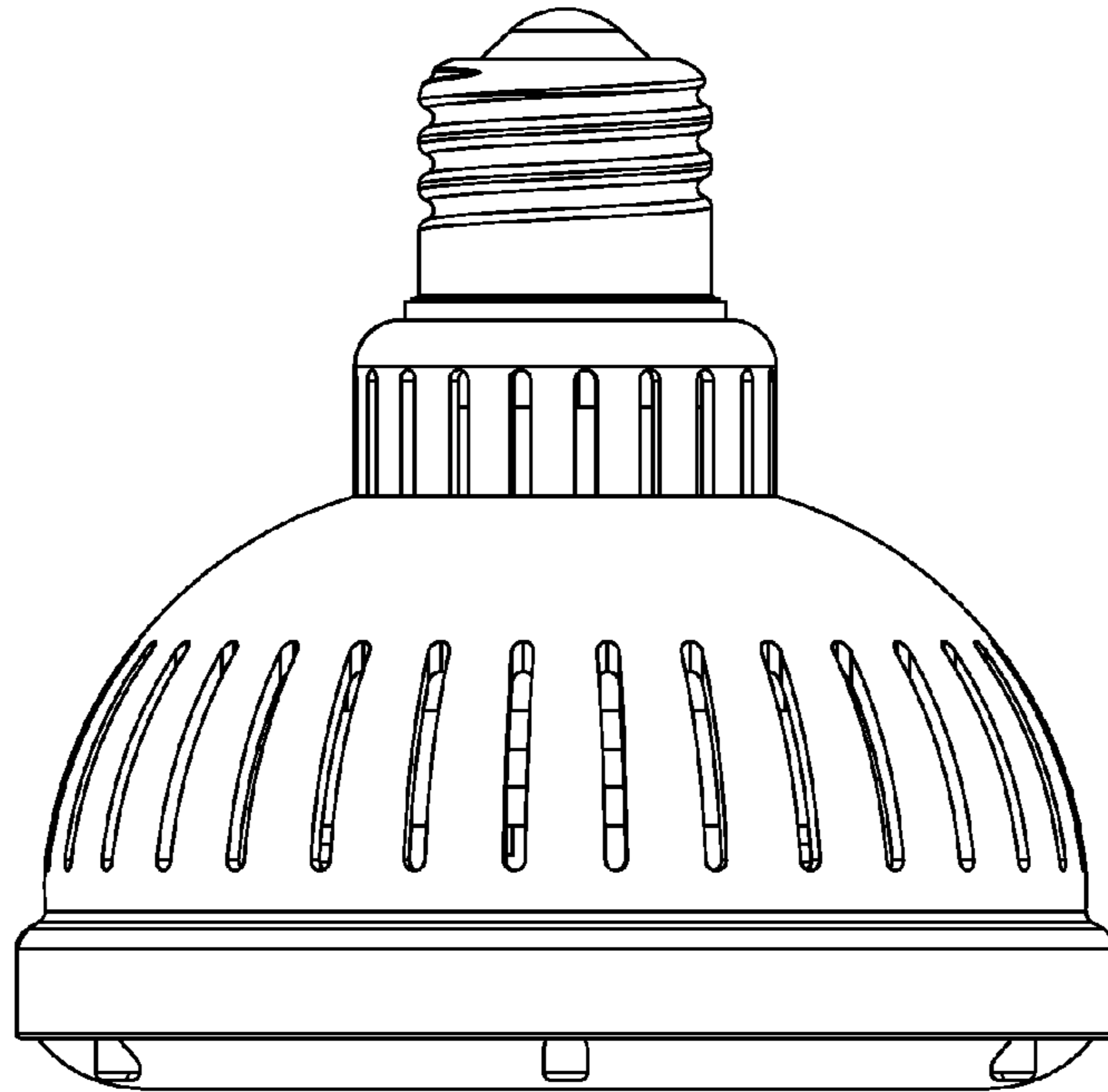


FIG. 3

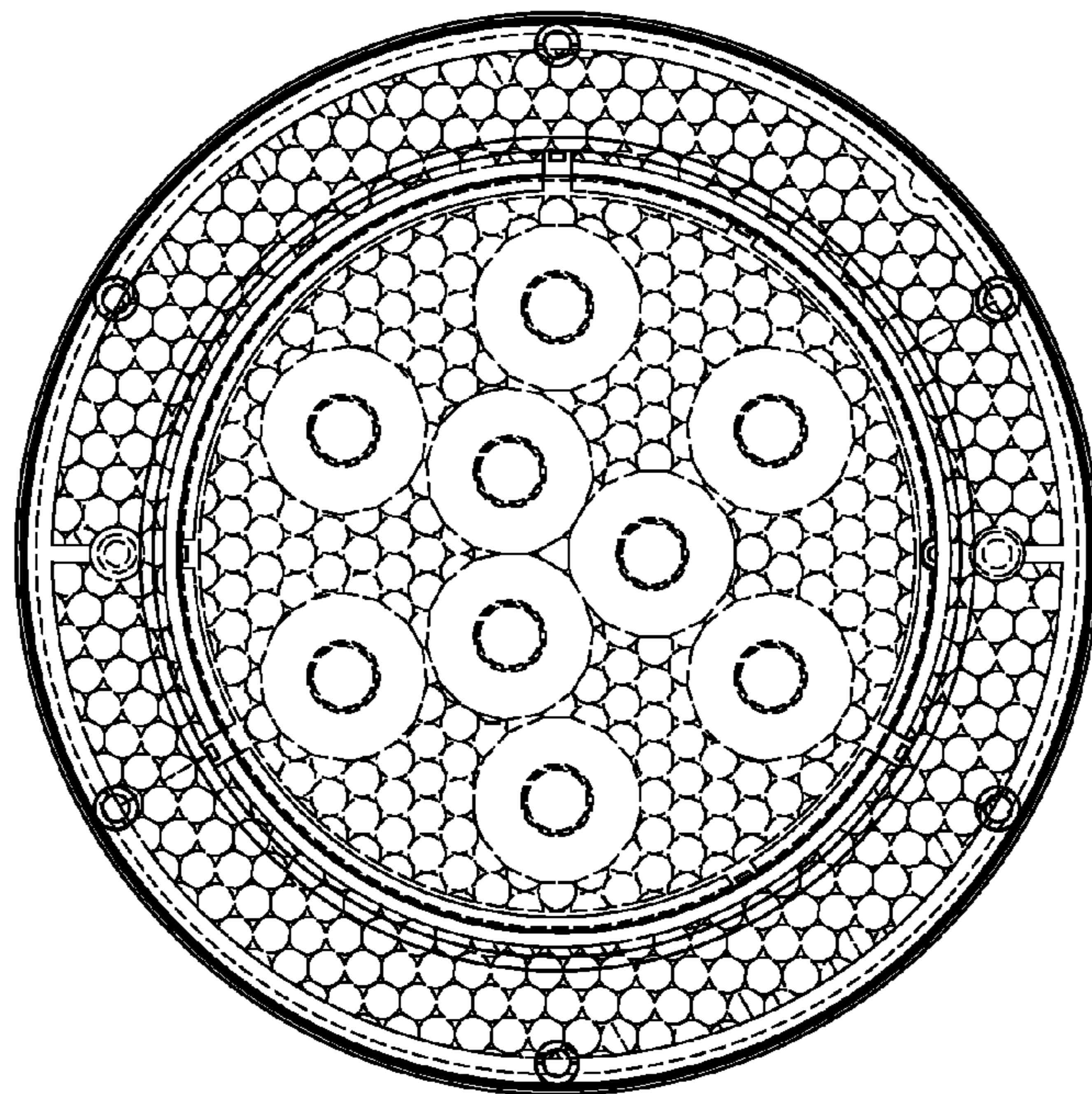


FIG. 4

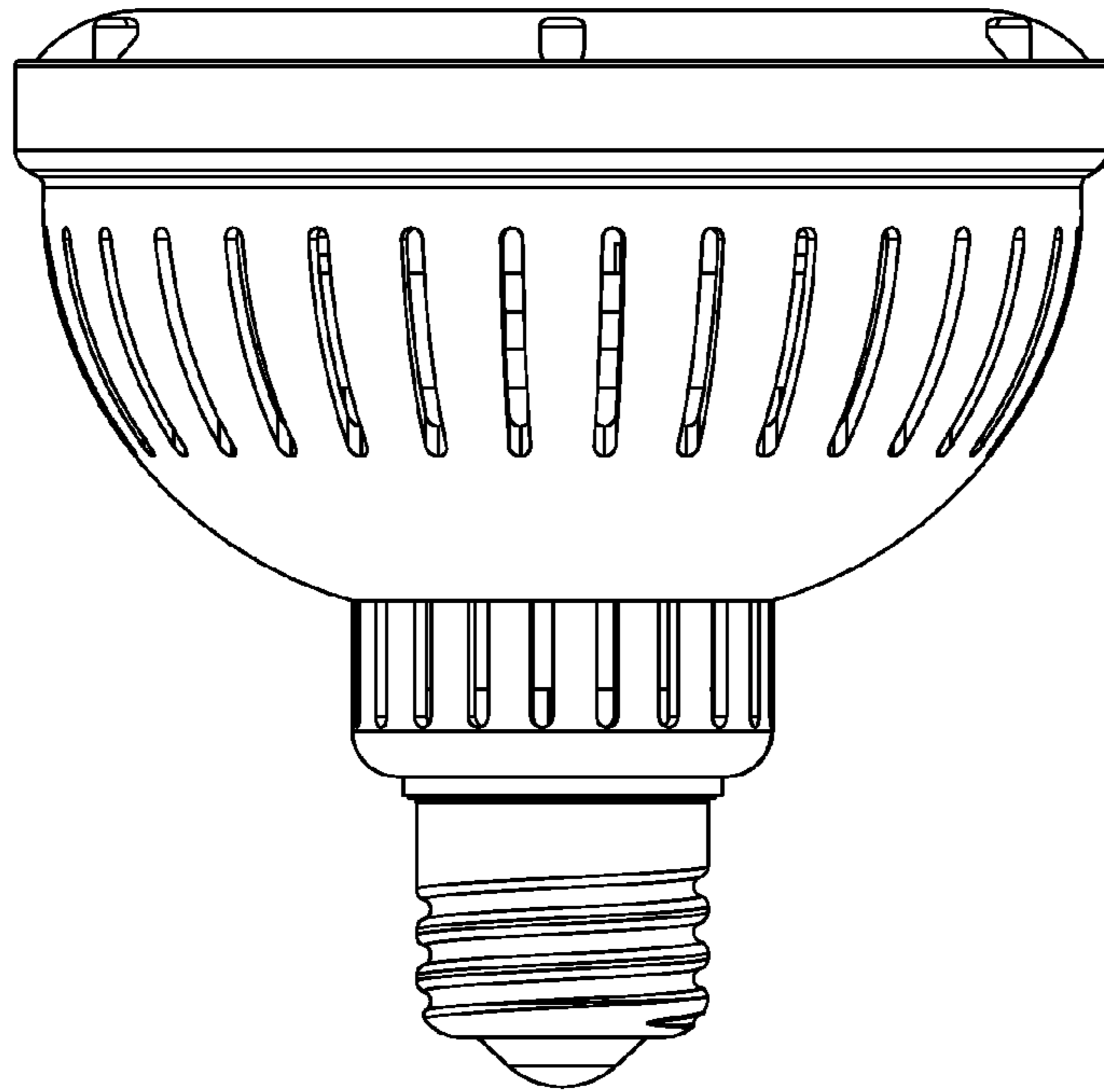


FIG. 5

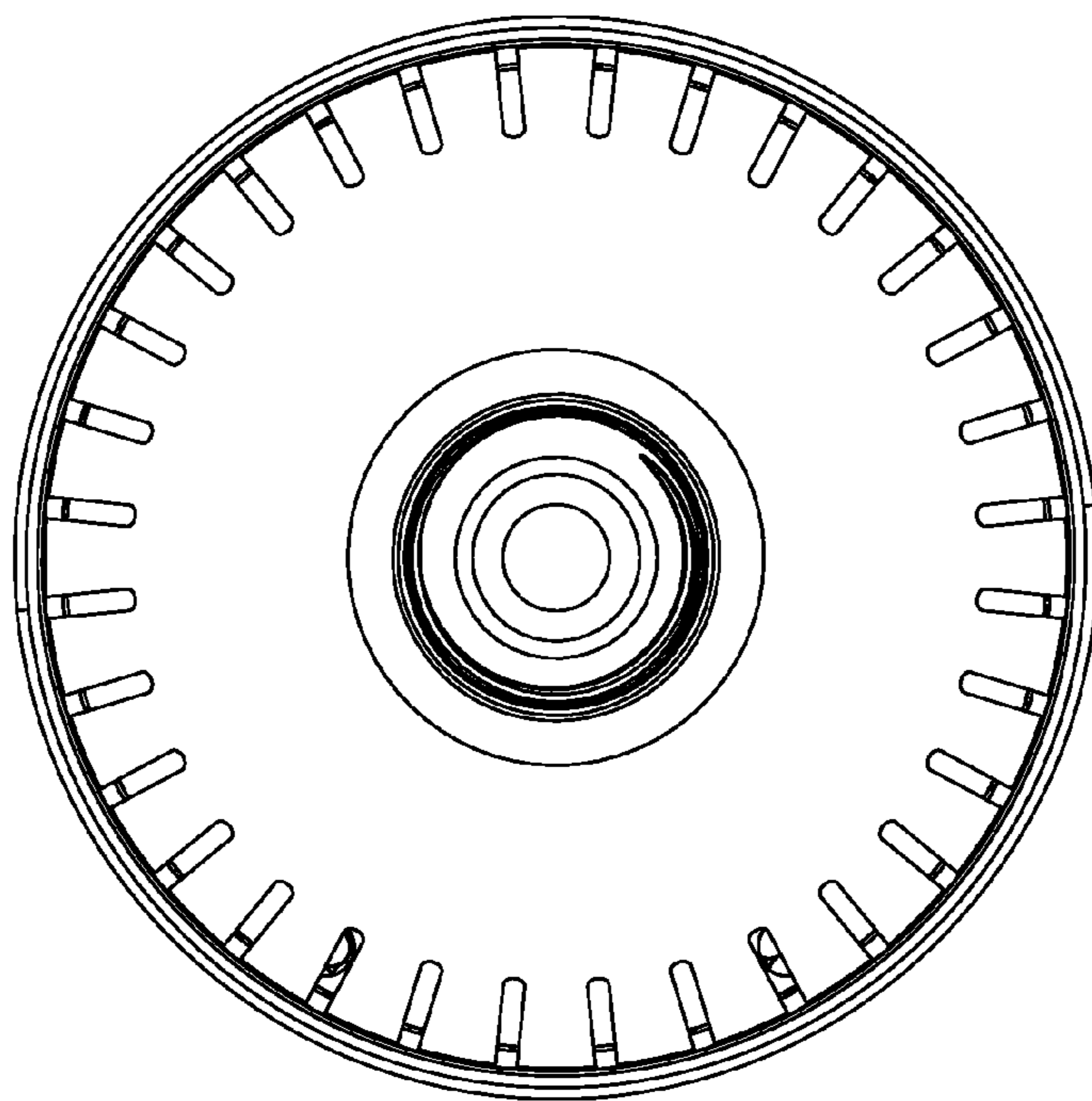


FIG. 6