

US00D656630S

(12) **United States Design Patent**  
**Tsang**

(10) **Patent No.:** **US D656,630 S**  
(45) **Date of Patent:** **\*\* Mar. 27, 2012**

(54) **LED BULB**

*Primary Examiner* — Marcus Jackson

(75) Inventor: **Hon Chuen Tsang**, Shatin (HK)  
(73) Assignee: **Checkson Die Casting and Product**  
**Factory Limited**, Shatin (HK)

(\*\*) Term: **14 Years**

(57) **CLAIM**  
The ornamental design for a LED bulb, as shown and described.

(21) Appl. No.: **29/356,694**

(22) Filed: **Mar. 1, 2010**

**DESCRIPTION**

(51) **LOC (9) Cl.** ..... **26-04**  
(52) **U.S. Cl.** ..... **D26/2**  
(58) **Field of Classification Search** ..... D26/1-4;  
313/313, 315, 316, 317, 318, 493; 315/52,  
315/53, 56, 57, 58  
See application file for complete search history.

FIG. 1 is a front elevational view of a LED bulb showing my new design, the rear elevational view being a mirror image of the front elevational view;  
FIG. 2 is a left side view thereof;  
FIG. 3 is a right side view thereof;  
FIG. 4 is a top plan view thereof;  
FIG. 5 is a bottom plan view thereof;  
FIG. 6 is a perspective view thereof; and  
FIG. 7 is another perspective view thereof.

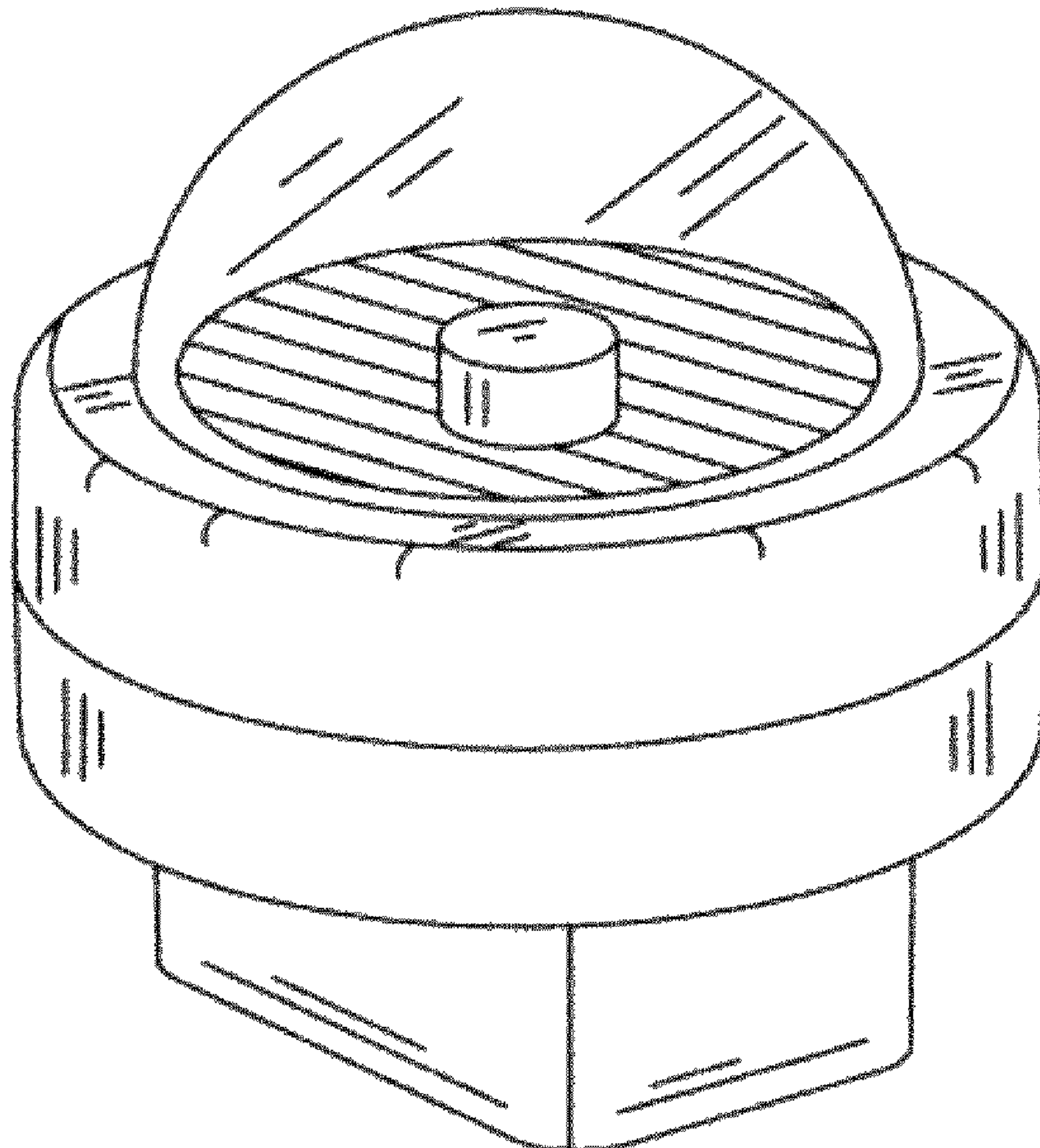
(56) **References Cited**

U.S. PATENT DOCUMENTS

D547,886 S *	7/2007	Foo	.....	D26/2
D614,321 S *	4/2010	Yang	.....	D26/2
D621,971 S *	8/2010	Yamamoto et al.	.....	D26/2
D643,948 S *	8/2011	Wada et al.	.....	D26/2

\* cited by examiner

**1 Claim, 2 Drawing Sheets**



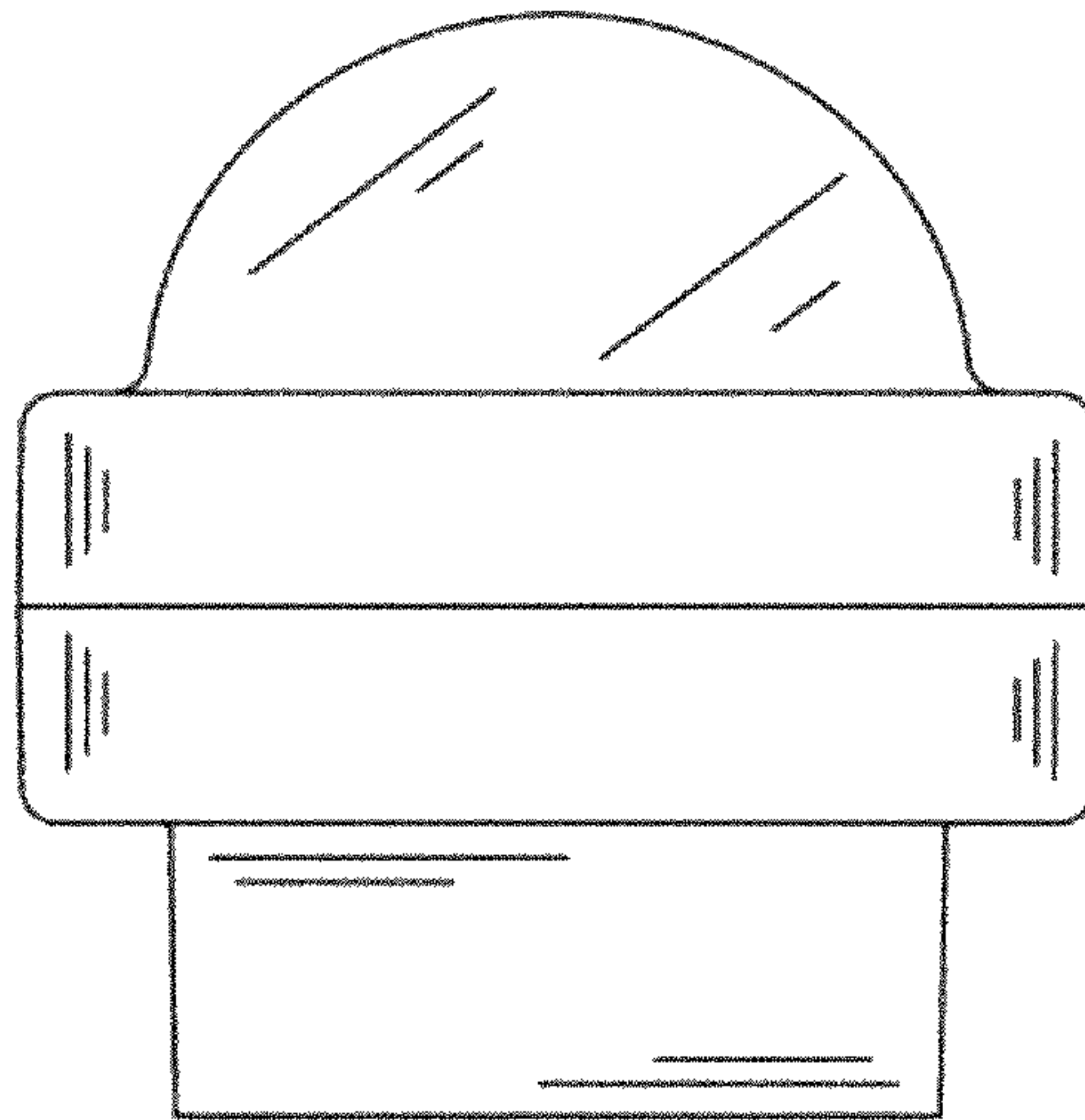


FIG. 1

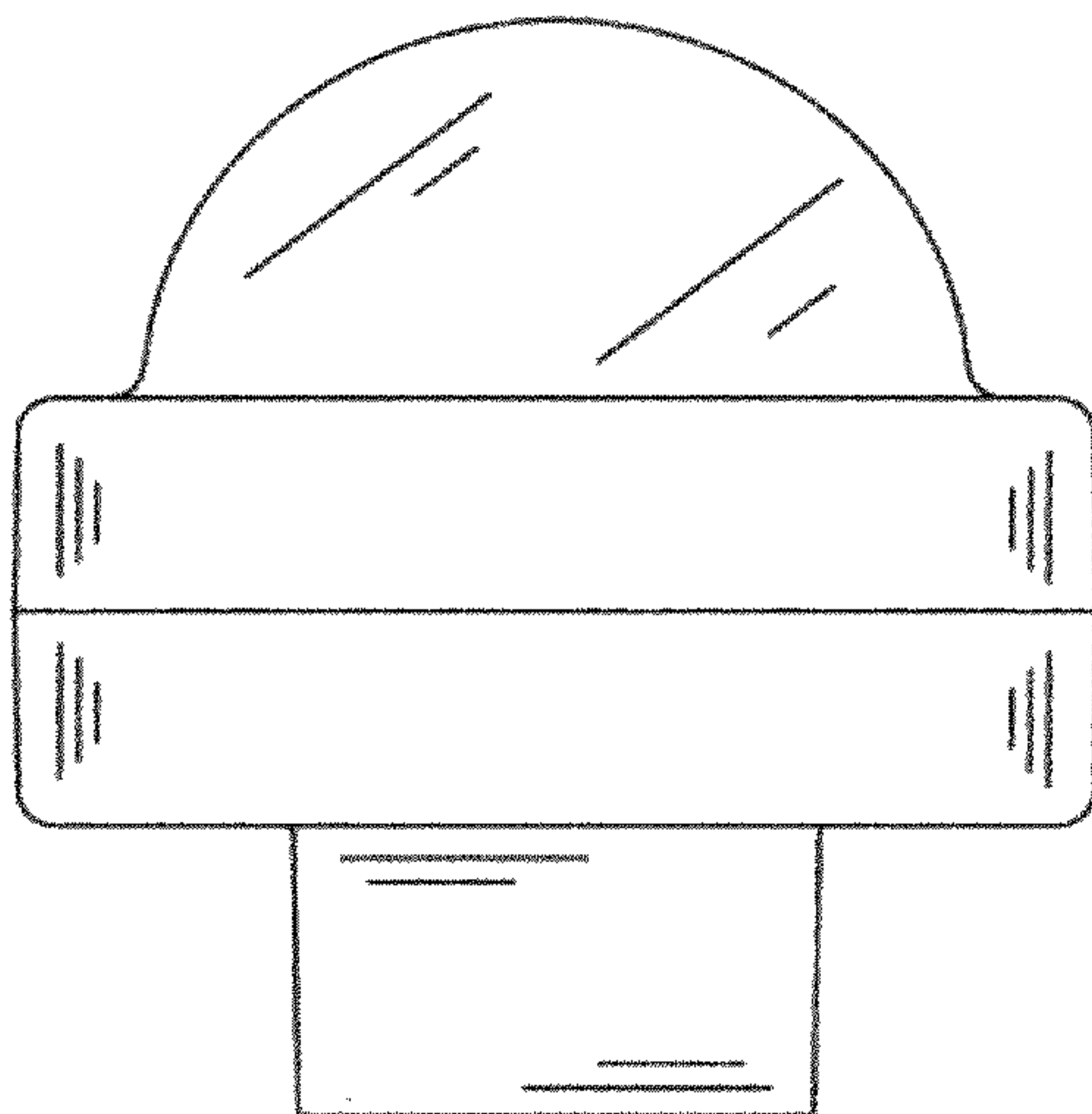


FIG. 2

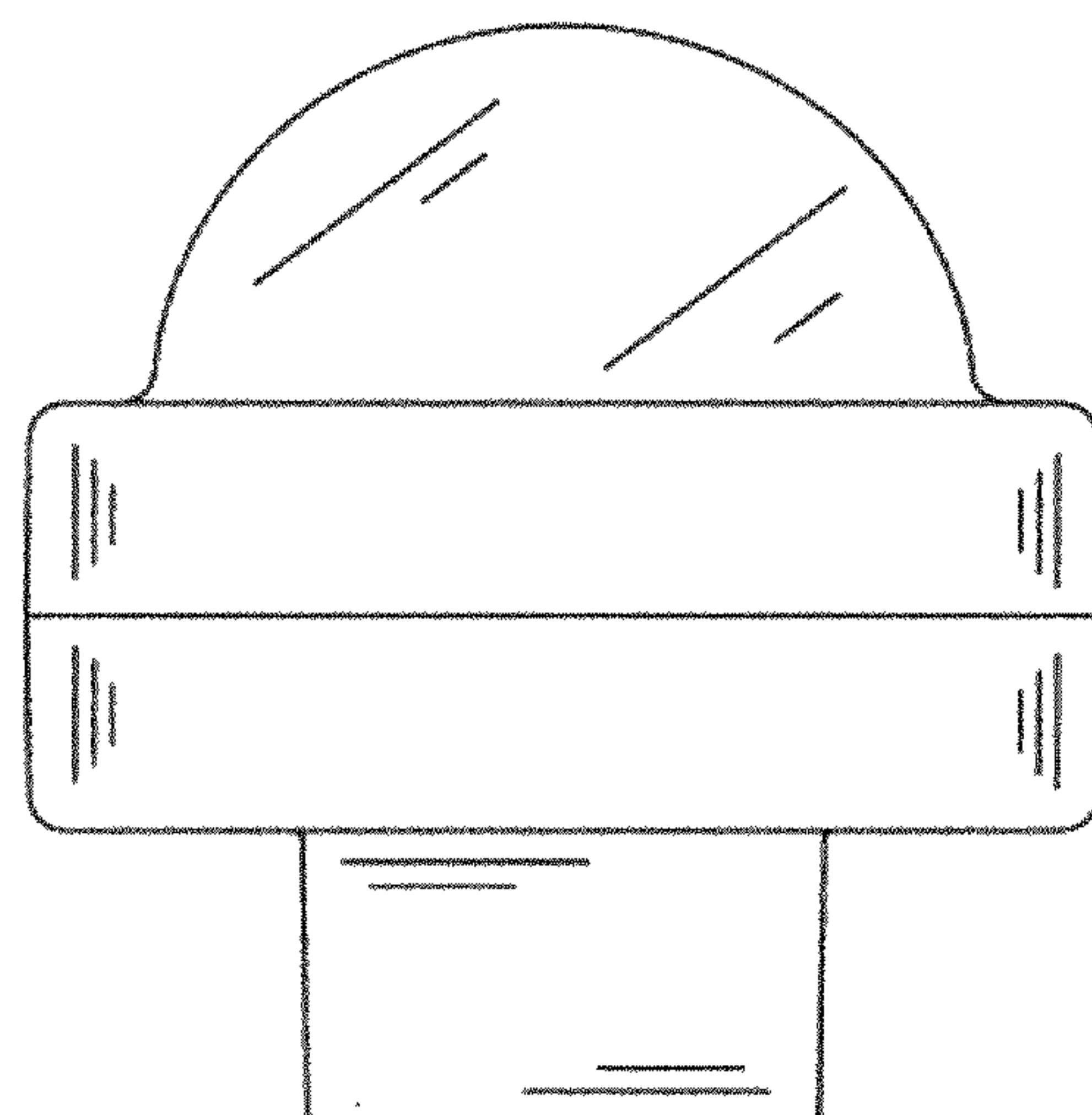


FIG. 3

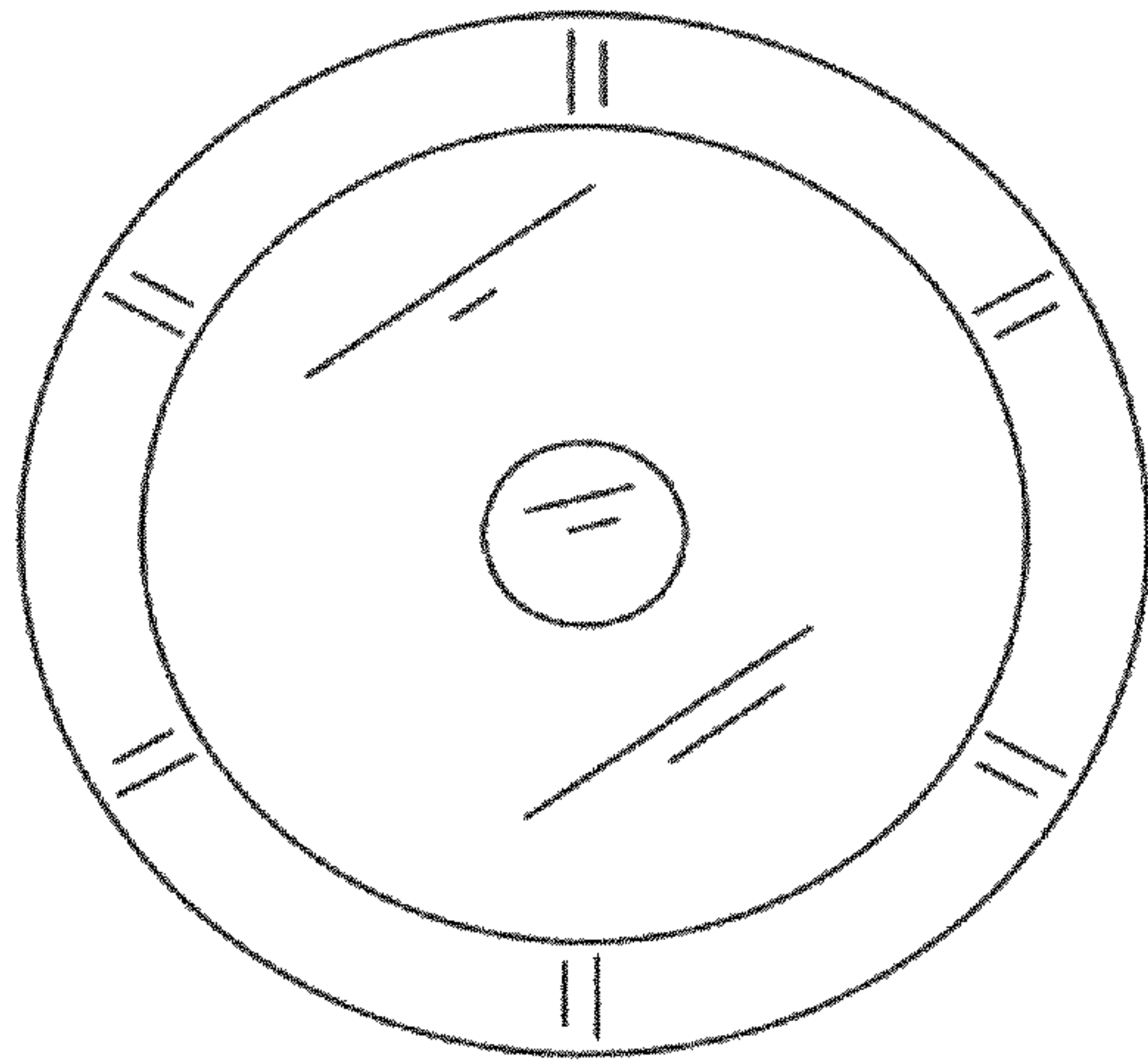


FIG. 4

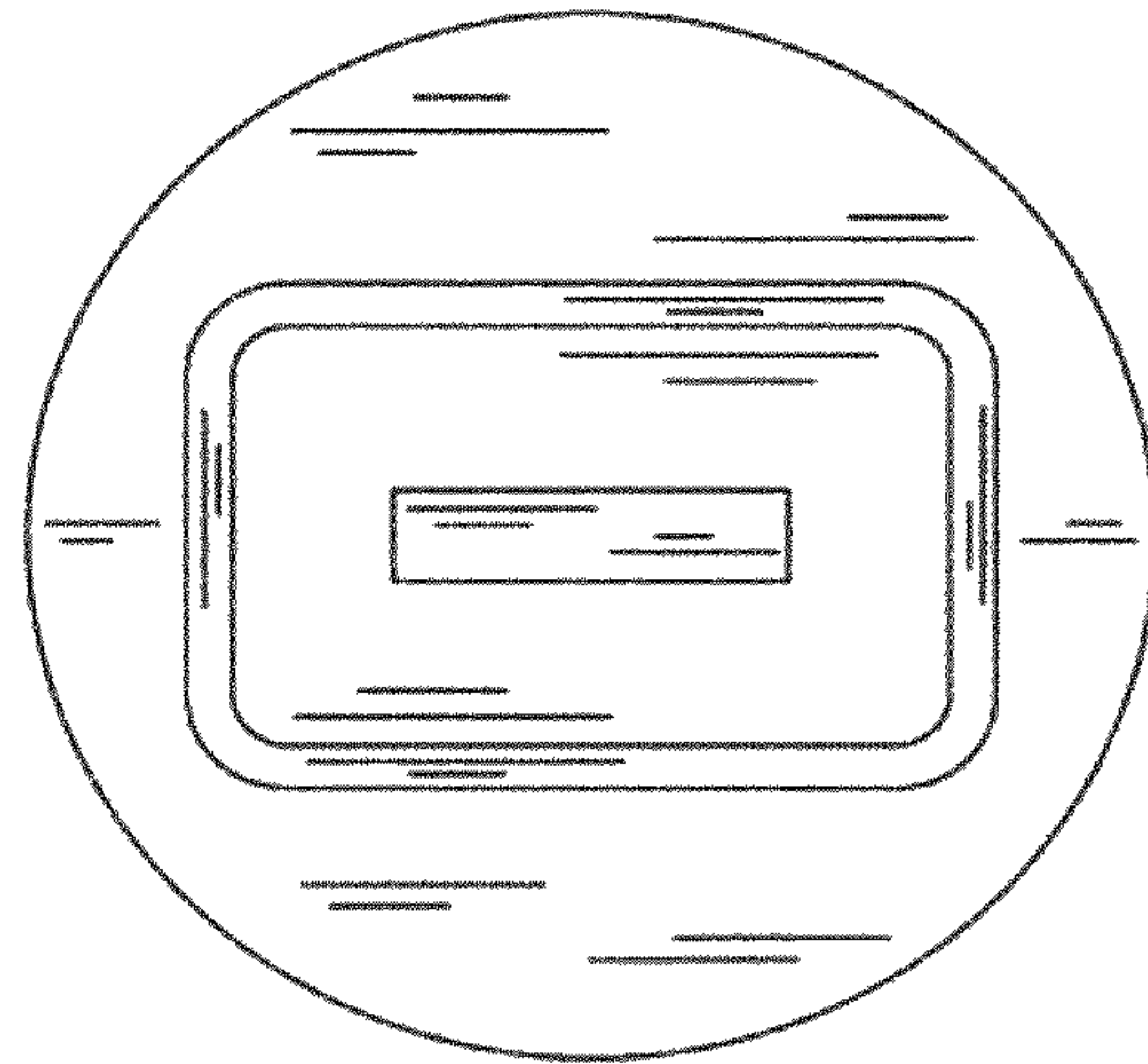


FIG. 5

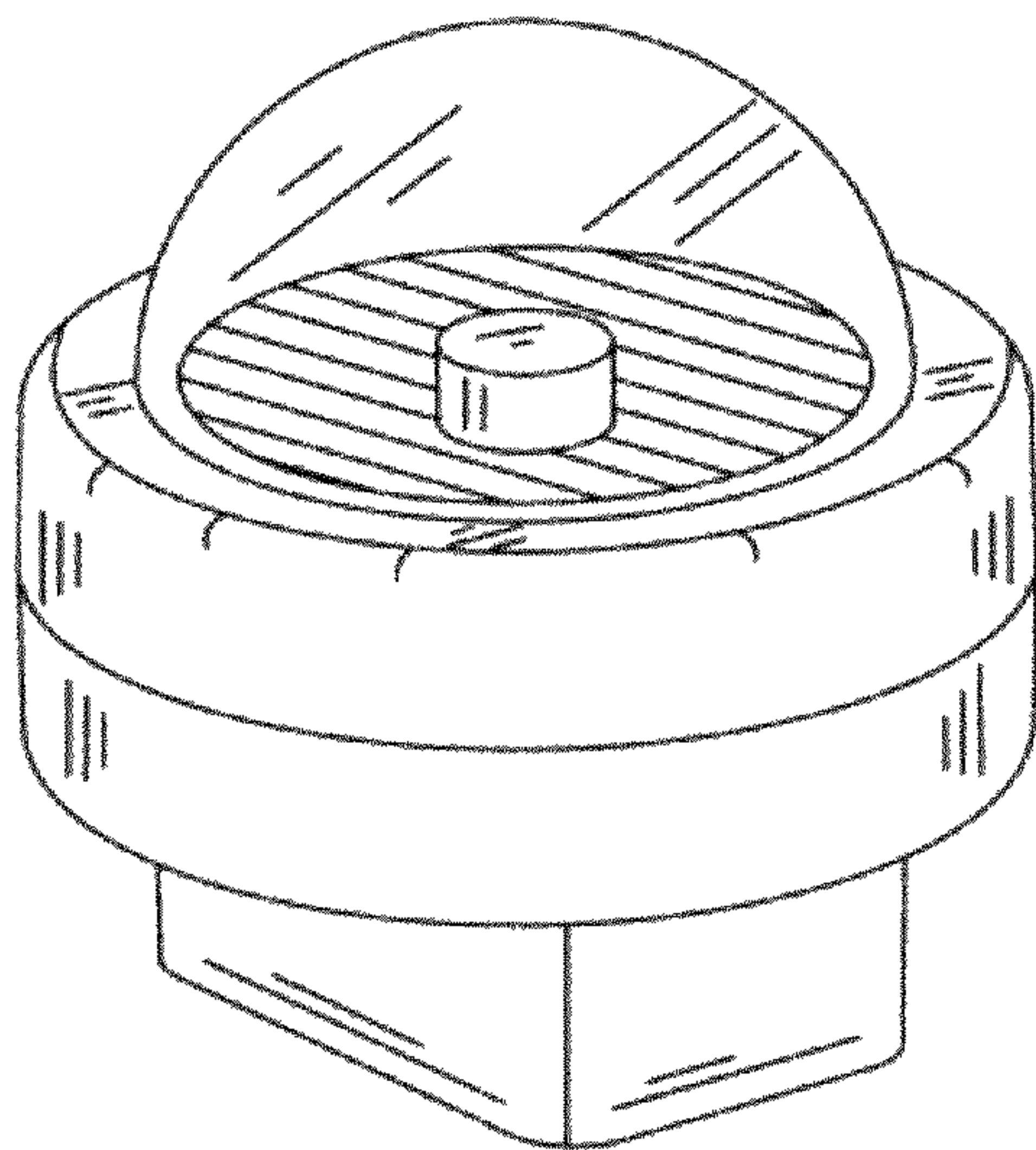


FIG. 6

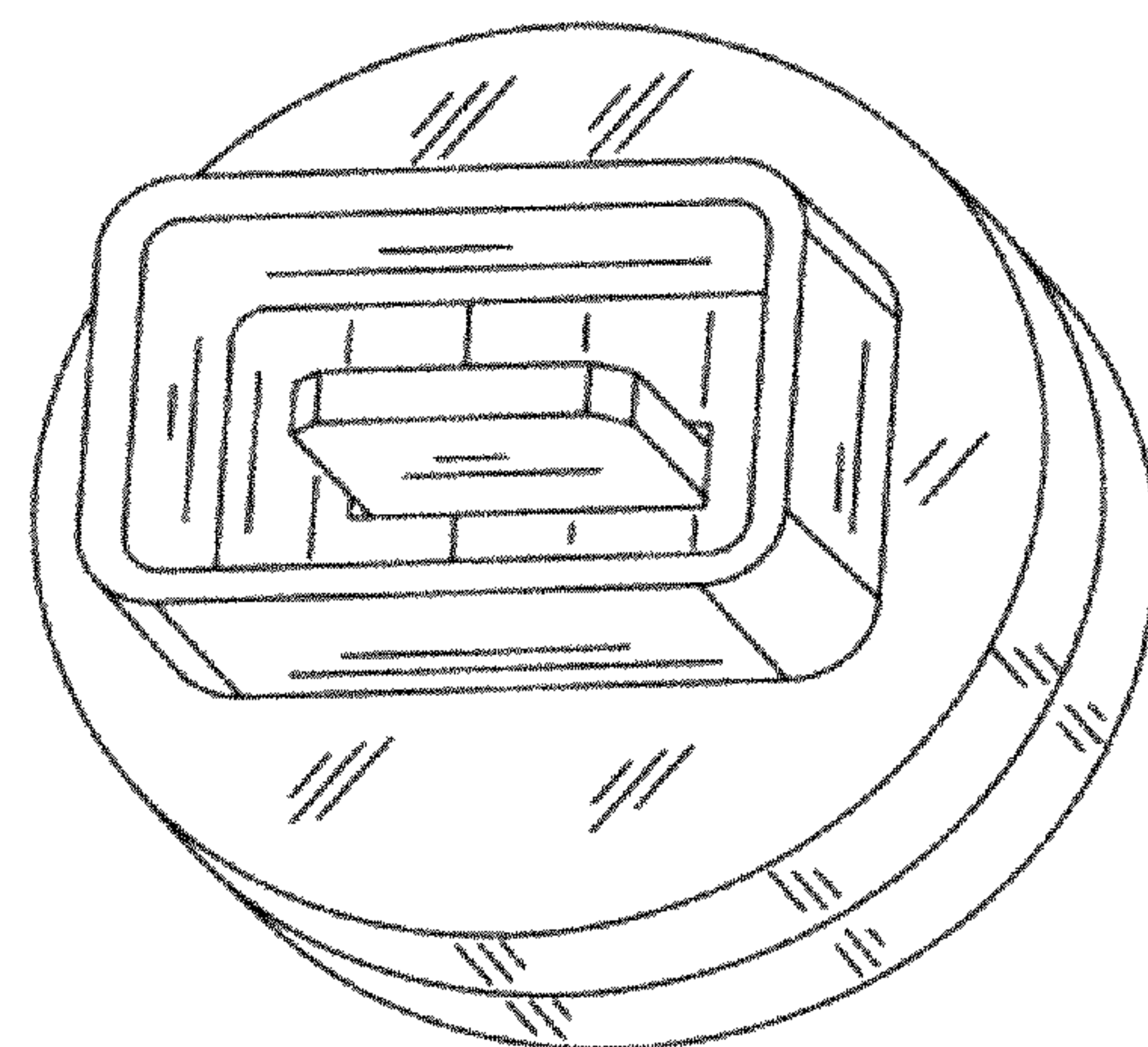


FIG. 7