



US00D656622S

(12) **United States Design Patent**  
**Gasser et al.**

(10) **Patent No.:** **US D656,622 S**  
(45) **Date of Patent:** **\*\* Mar. 27, 2012**

(54) **BOTTLE**

(75) Inventors: **Daniel Gasser**, New South Wales (AU);  
**Stephen Hill**, New South Wales (AU)

(73) Assignee: **Saban Ventures Pty Limited**,  
Alexandria, New South Wales (AU)

(\*\*) Term: **14 Years**

(21) Appl. No.: **29/351,032**

(22) Filed: **Nov. 30, 2009**

(30) **Foreign Application Priority Data**

Jun. 1, 2009 (AU) ..... 12015/2009

(51) **LOC (9) Cl.** ..... **24-01**

(52) **U.S. Cl.** ..... **D24/224**

(58) **Field of Classification Search** ..... D24/216-232,  
D24/186, 107, 108, 121; D3/201, 203.1,  
D3/203.2, 202; D10/81; D9/435, 436, 439,  
D9/443, 452, 453, 454, 516, 519, 520, 522,  
D9/529, 544, 545, 549, 558; 422/500, 547,  
422/554, 556; 215/224, 316, 317, 354, 355,  
215/379, 382; 220/669, 836, 839; 435/288.1,  
435/288.2, 304.1, 304.2

See application file for complete search history.

(56) **References Cited**

**U.S. PATENT DOCUMENTS**

D263,795 S \* 4/1982 Pagels ..... D9/520  
5,578,272 A \* 11/1996 Koch et al. .... 422/547

D433,149 S \* 10/2000 Fassbind et al. .... D24/224  
D482,794 S \* 11/2003 Whitley ..... D24/224  
6,827,904 B2 \* 12/2004 Kitagawa ..... 422/547  
D530,205 S \* 10/2006 Lohrman ..... D9/453  
D535,566 S \* 1/2007 Lin ..... D9/454  
D630,765 S \* 1/2011 Winkenbach et al. .... D24/224

\* cited by examiner

*Primary Examiner* — Anhdao Doan

(74) *Attorney, Agent, or Firm* — Gottlieb, Rackman &  
Reisman, P.C.

(57) **CLAIM**

The ornamental design for a bottle, as shown and described.

**DESCRIPTION**

FIG. 1 is a perspective view of a bottle showing our new design;  
FIG. 2 is a front view thereof;  
FIG. 3 is a side view thereof;  
FIG. 4 is a top plan view thereof;  
FIG. 5 is a bottom plan view thereof;  
FIG. 6 is an exploded perspective view thereof; and,  
FIG. 7 is an exploded side view thereof, which is rotated compared to the side view of FIG. 3.  
It being understood that the broken lines are for illustrative purposes only and form no part of claimed design.

**1 Claim, 7 Drawing Sheets**

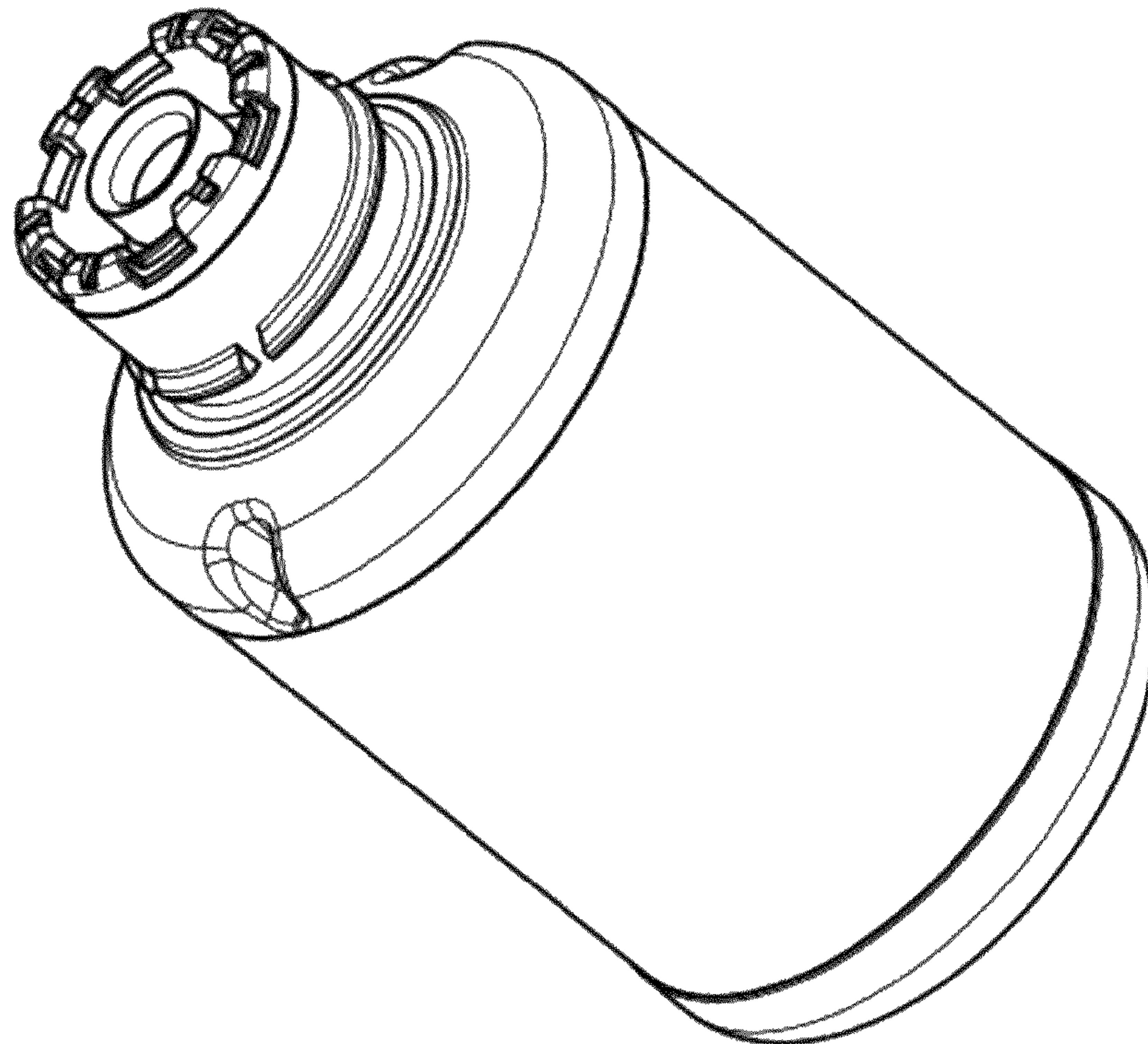


Fig. 1

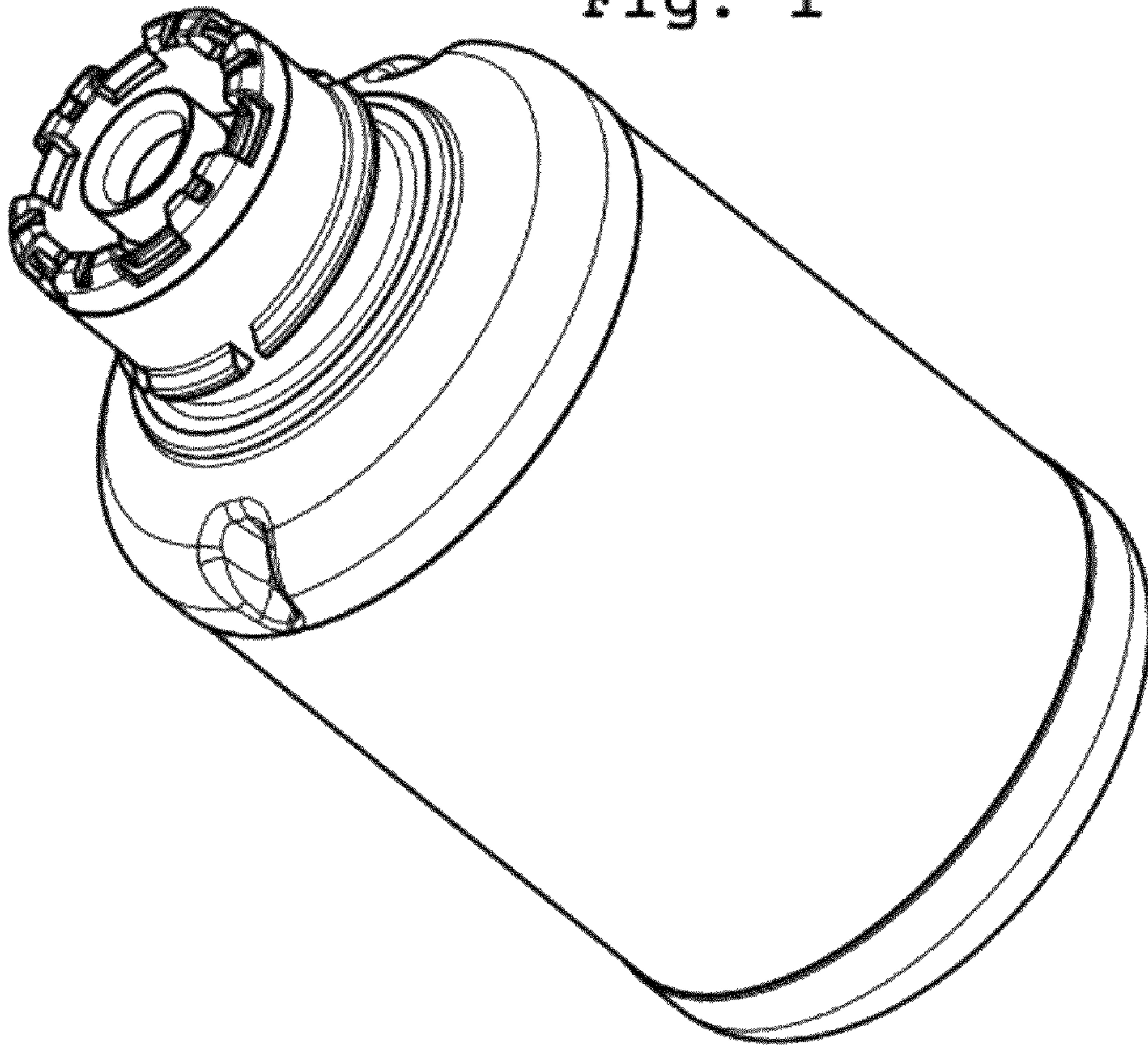
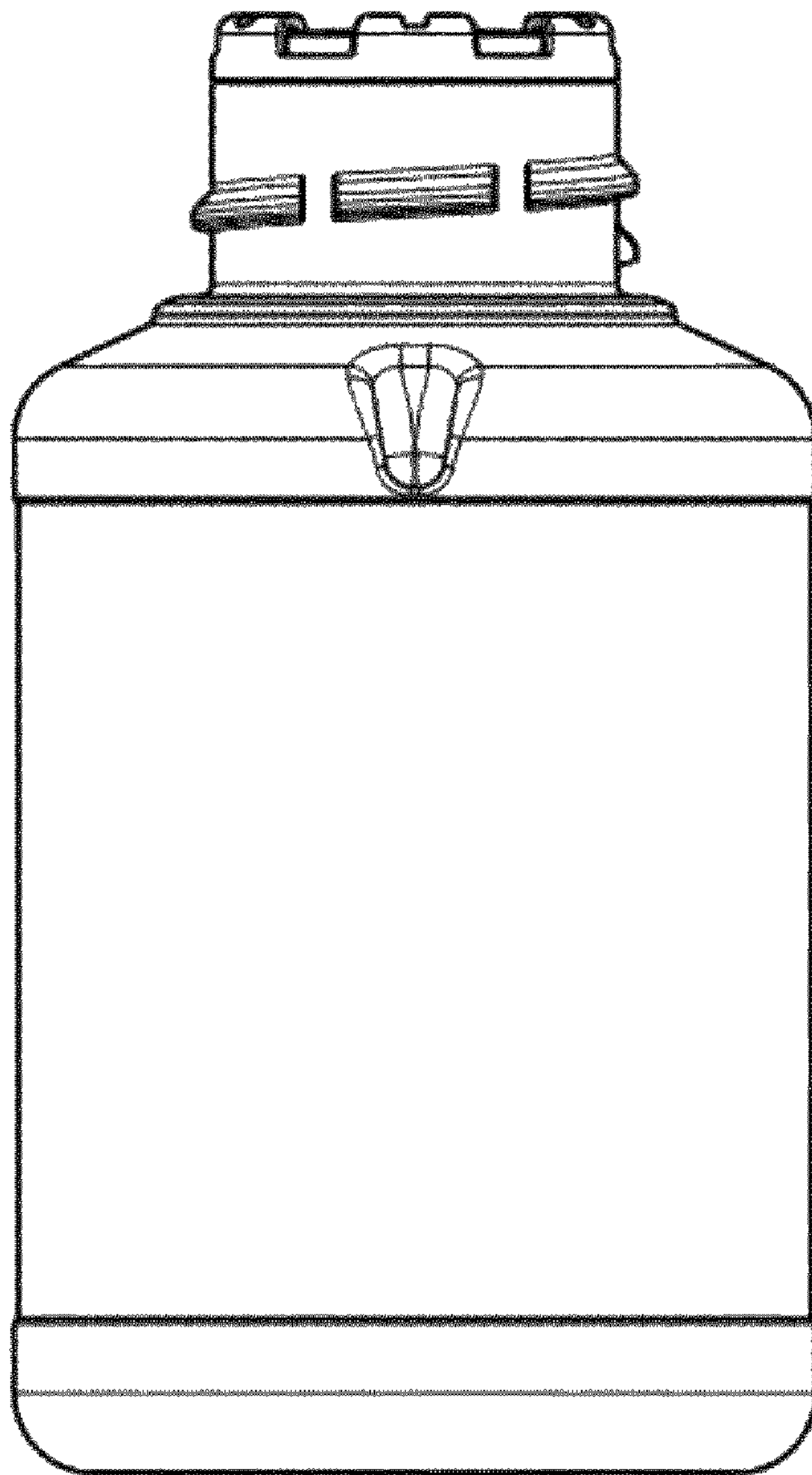


Fig. 2



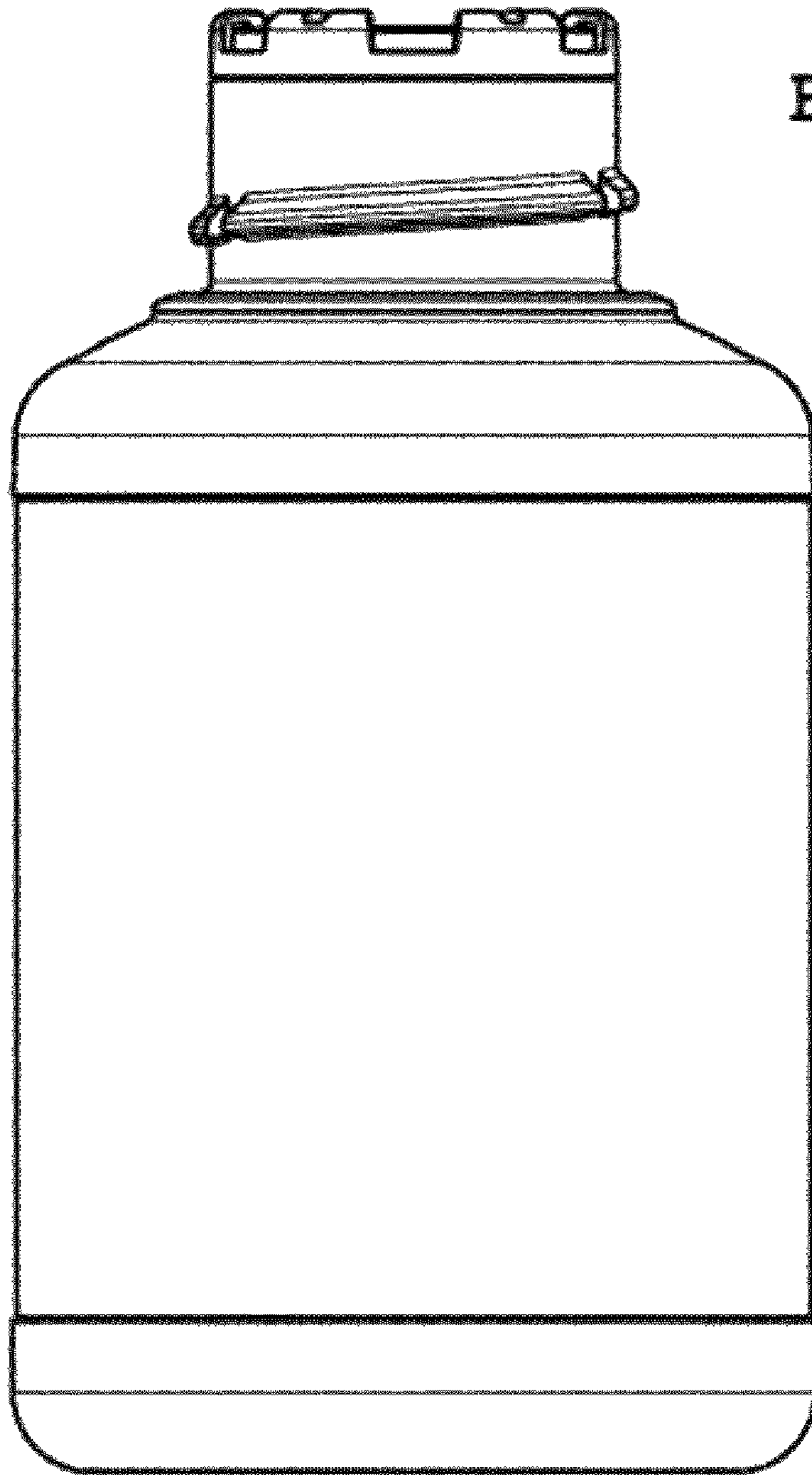
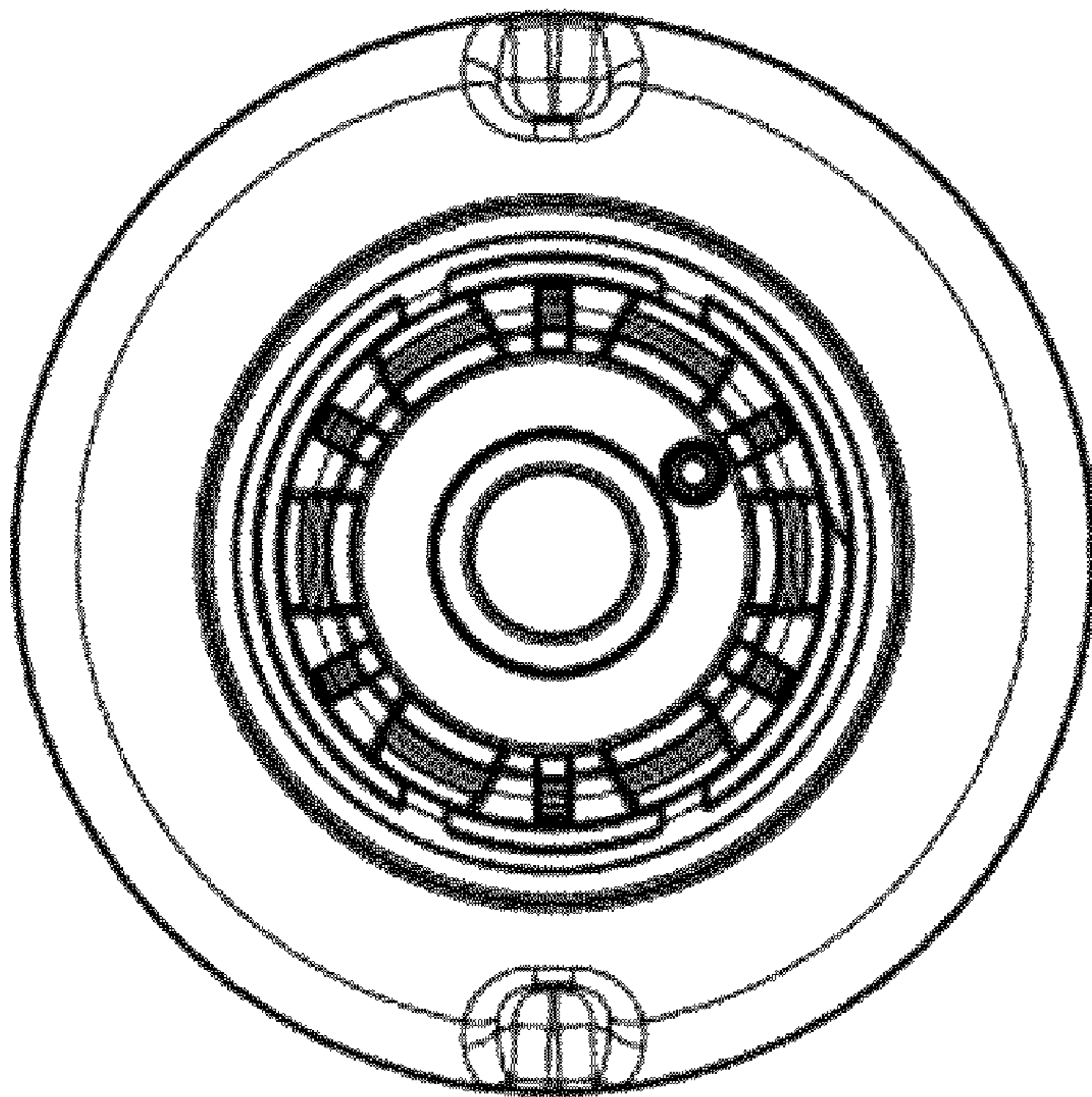
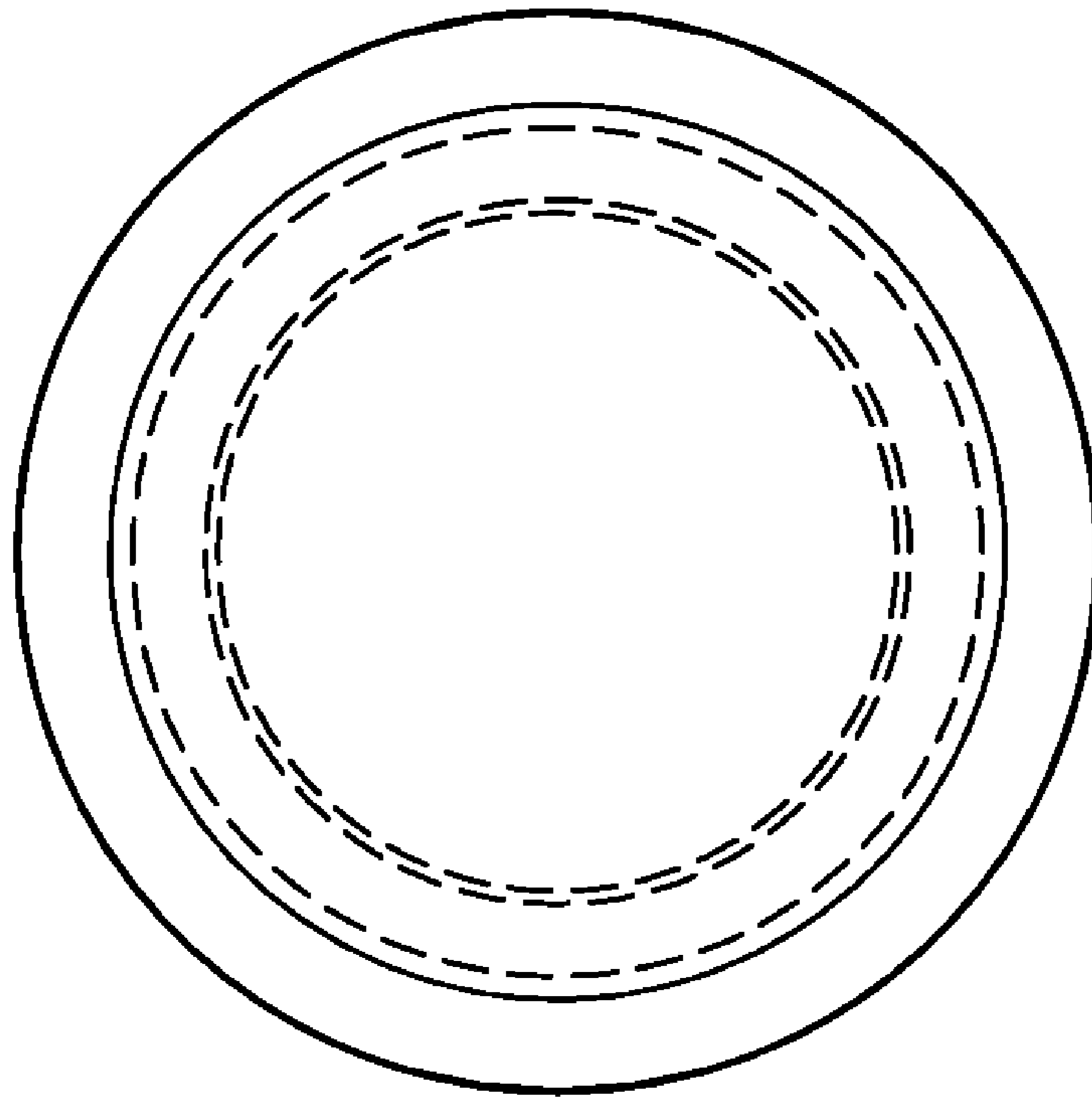


Fig. 3

Fig. 4





**Fig. 5**

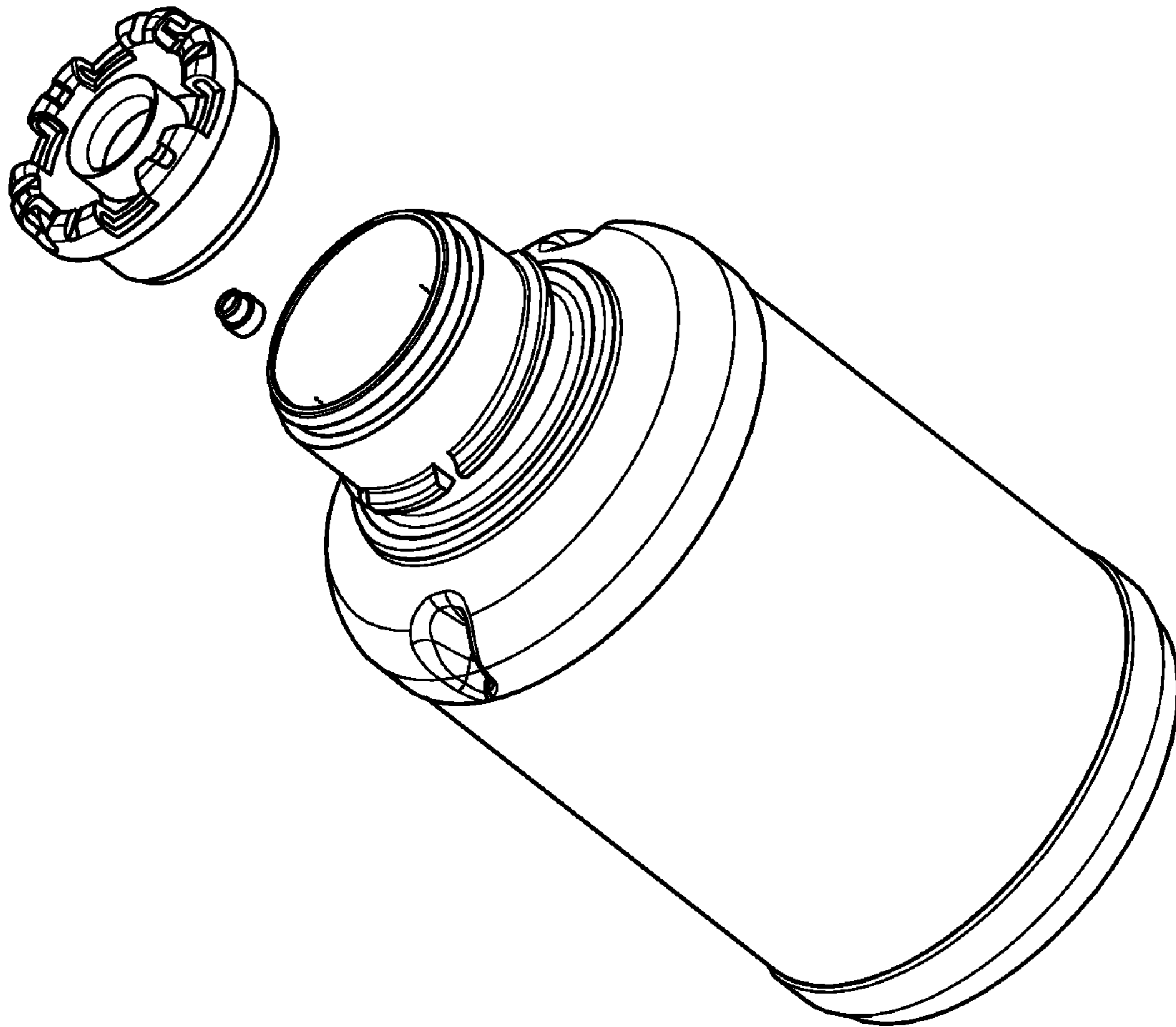


Fig. 6

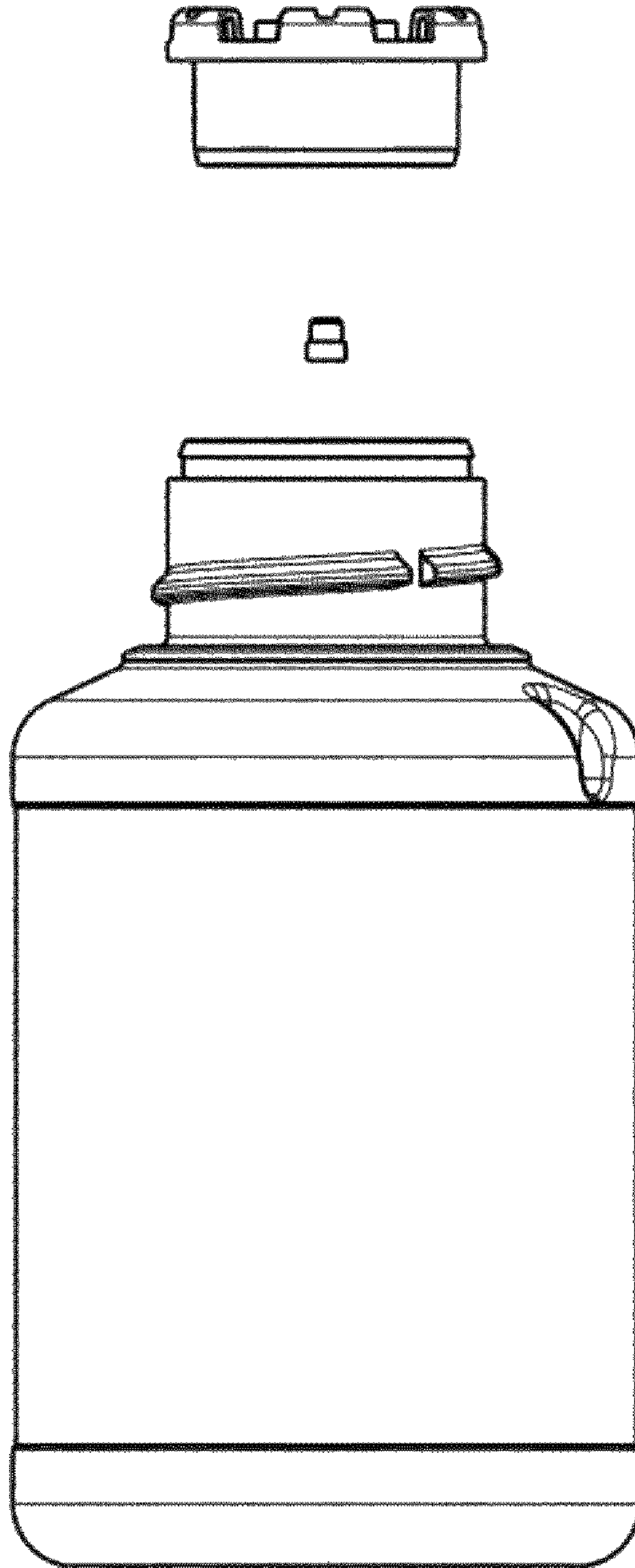


Fig. 7