



US00D656621S

(12) **United States Design Patent**  
**Matsushita**

(10) **Patent No.:** **US D656,621 S**  
(45) **Date of Patent:** **\*\* Mar. 27, 2012**

(54) **SKIN MASSAGE ROLLER**

(75) Inventor: **Tsuyoshi Matsushita**, Aichi-ken (JP)

(73) Assignee: **MTG Co., Ltd.** (JP)

(\*\*) Term: **14 Years**

(21) Appl. No.: **29/373,061**

(22) Filed: **Feb. 24, 2011**

(30) **Foreign Application Priority Data**

Sep. 30, 2010 (JP) ..... 2010-023498

(51) **LOC (9) Cl.** ..... **28-03**

(52) **U.S. Cl.** ..... **D24/215**

(58) **Field of Classification Search** ..... D28/7,  
D28/8, 20, 76, 85, 99; 132/108, 202, 208,  
132/317, 320; 401/202-207, 261-267;  
D4/132-135; D24/211-215, 200, 204, 206,  
D24/201; 601/19, 22, 27-31, 39, 46, 56,  
601/63, 68, 72, 80, 125, 135, 157, 169, DIG. 12,  
601/DIG. 16, DIG. 17; D6/335, 336; D21/685  
See application file for complete search history.

(56) **References Cited**

**U.S. PATENT DOCUMENTS**

- D270,279 S \* 8/1983 Hamilton ..... D24/211
- D272,090 S \* 1/1984 Hosid ..... D24/211
- D274,555 S \* 7/1984 Shiu ..... D24/211
- D285,117 S \* 8/1986 Snyder ..... D24/211
- D366,604 S \* 1/1996 Welch, Jr. .... D8/77
- D371,607 S \* 7/1996 Taylor ..... D24/211
- D408,544 S \* 4/1999 Kalat ..... D24/211
- D408,545 S \* 4/1999 Taylor ..... D24/214
- D410,549 S \* 6/1999 Chen ..... D24/211
- D445,196 S \* 7/2001 Gladieux et al. .... D24/211
- D445,508 S \* 7/2001 Gladieux et al. .... D24/211
- D451,651 S \* 12/2001 Kaplan ..... D30/160
- D469,879 S \* 2/2003 Chen ..... D24/211
- D492,037 S \* 6/2004 Chien ..... D24/211

- D499,841 S \* 12/2004 Angeletta ..... D28/7
- D553,252 S \* 10/2007 Masuda ..... D24/214
- D582,563 S \* 12/2008 Ferber et al. .... D24/215

**FOREIGN PATENT DOCUMENTS**

JP D1387971 S 4/2010

**OTHER PUBLICATIONS**

“Platinum Electronic Roller [ReFa Pro]”, © 2011. MTG Co., Ltd. [online]. [retrieved Jun. 22, 2011]. Retrieved from the Internet: <URL: [http://www.mtg.gr.jp/en/product/refa\\_pro/index.html](http://www.mtg.gr.jp/en/product/refa_pro/index.html)>, 3 pgs.

\* cited by examiner

*Primary Examiner* — Zenia Bennett

(74) *Attorney, Agent, or Firm* — Schwegman, Lundberg & Woessner, P.A.

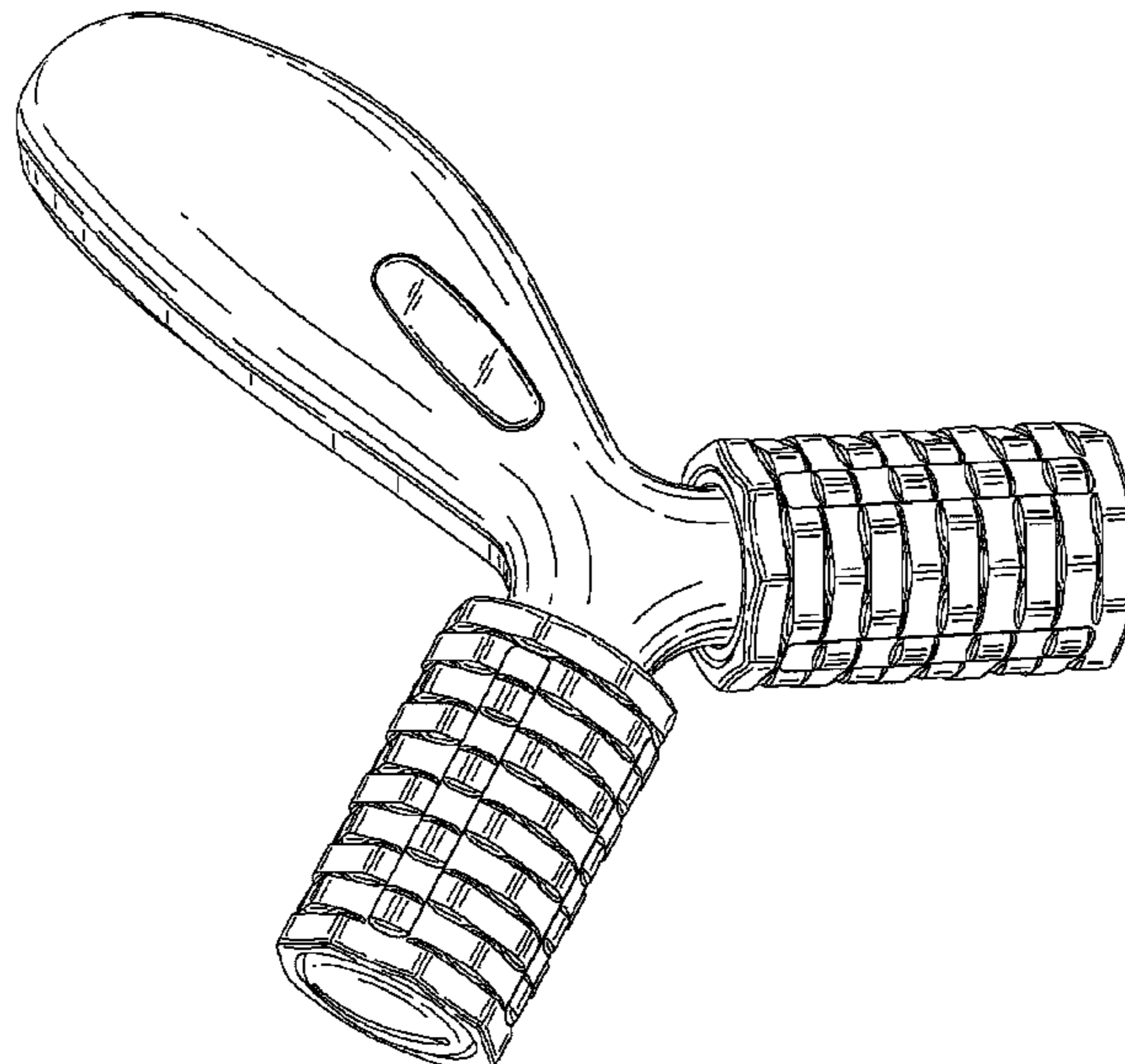
(57) **CLAIM**

The ornamental design for a skin massage roller, as shown and described.

**DESCRIPTION**

FIG. 1 is a perspective view of a skin massage roller showing my new design;  
FIG. 2 is another perspective view thereof;  
FIG. 3 is a front view thereof, the rear view being a mirror image of FIG. 3;  
FIG. 4 is a top view thereof;  
FIG. 5 is a bottom view thereof;  
FIG. 6 is a right side view thereof;  
FIG. 7 is a left side view thereof;  
FIG. 8 is an enlarged view of a roller showing a state in which the roller is arranged horizontally;  
FIG. 9 is a cross-sectional view taken along line 9-9 in FIG. 8; and,  
FIG. 10 is a horizontal sectional view taken along line 10-10 in FIG. 8.

**1 Claim, 8 Drawing Sheets**



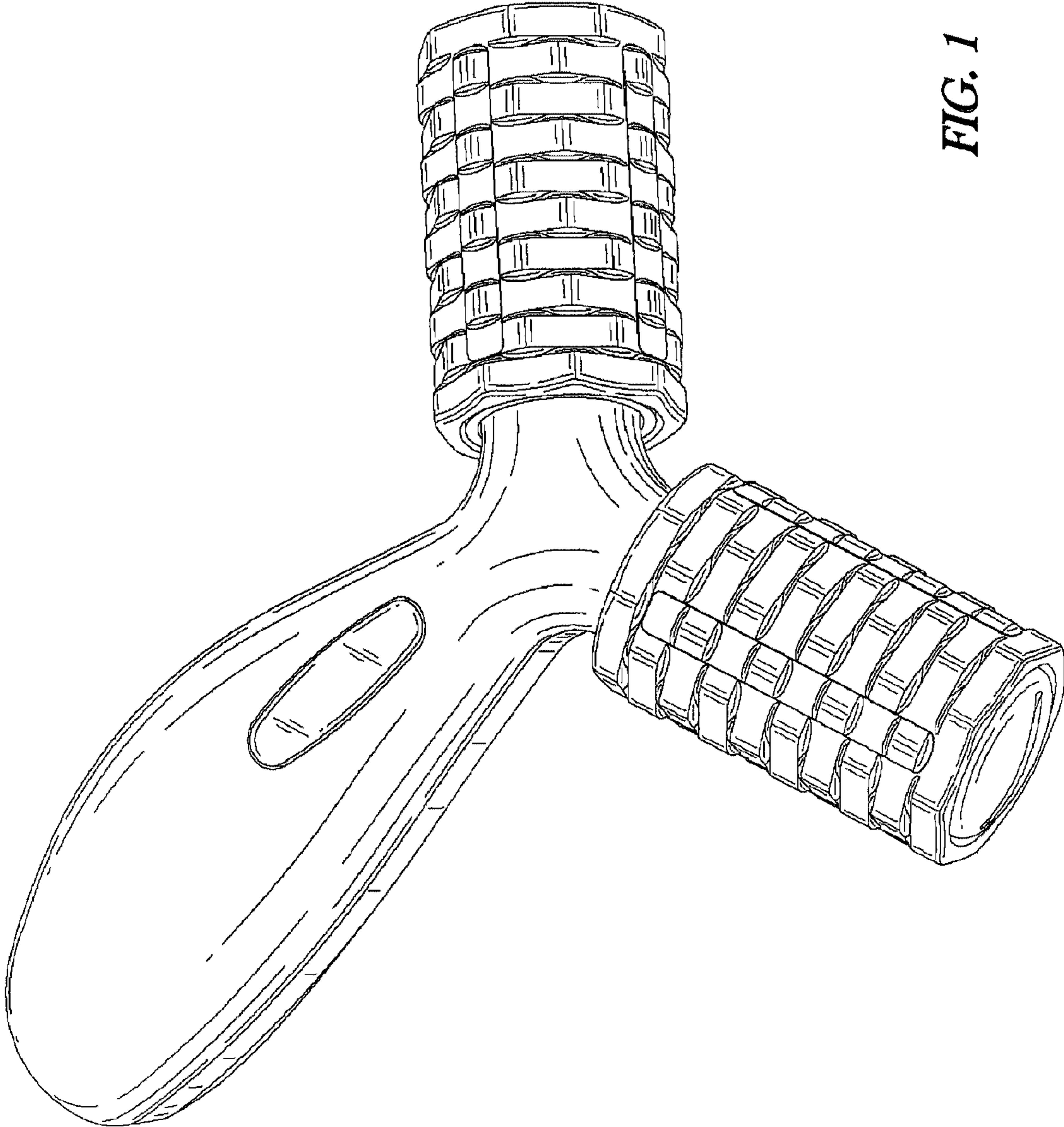


FIG. 1

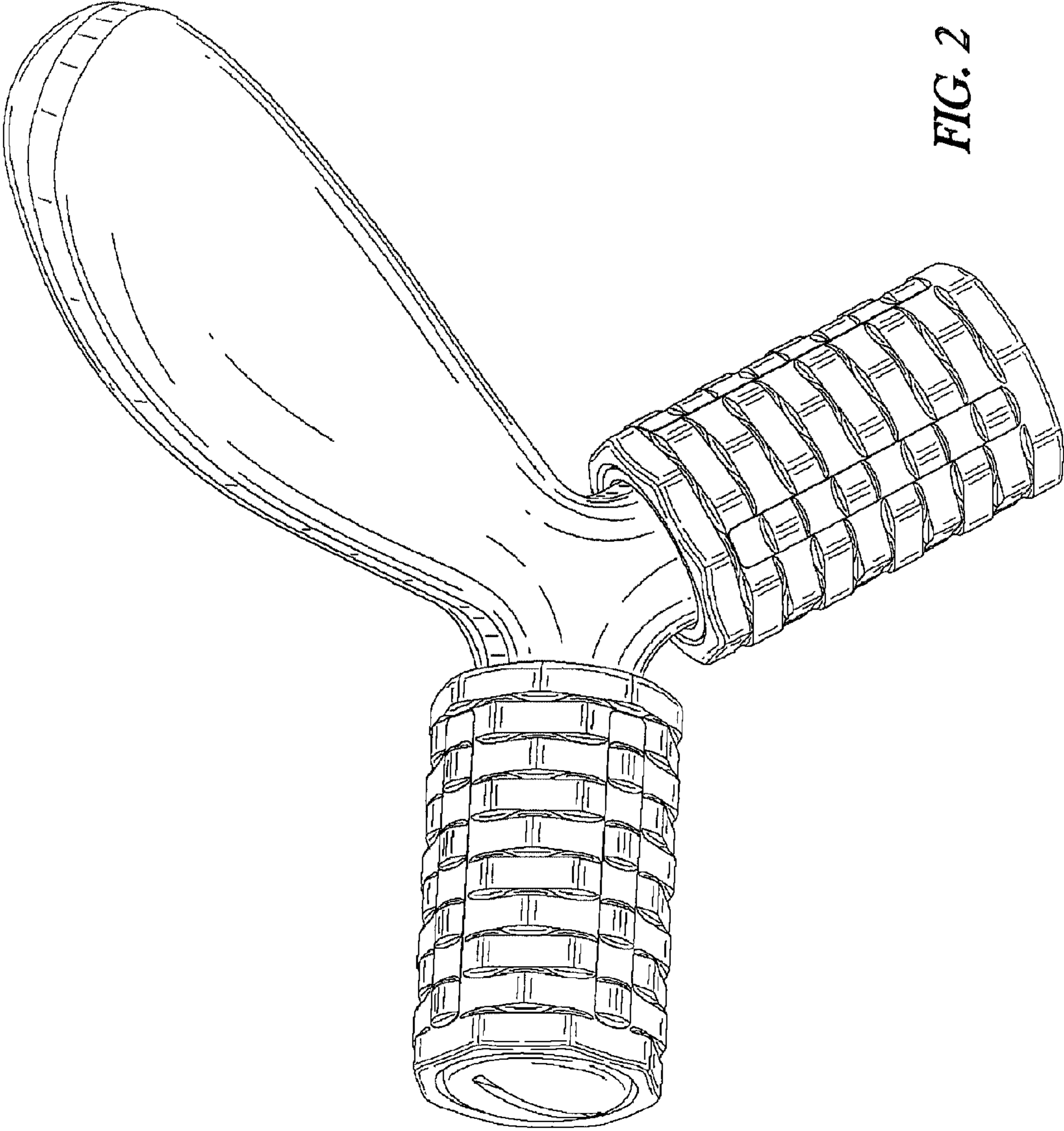
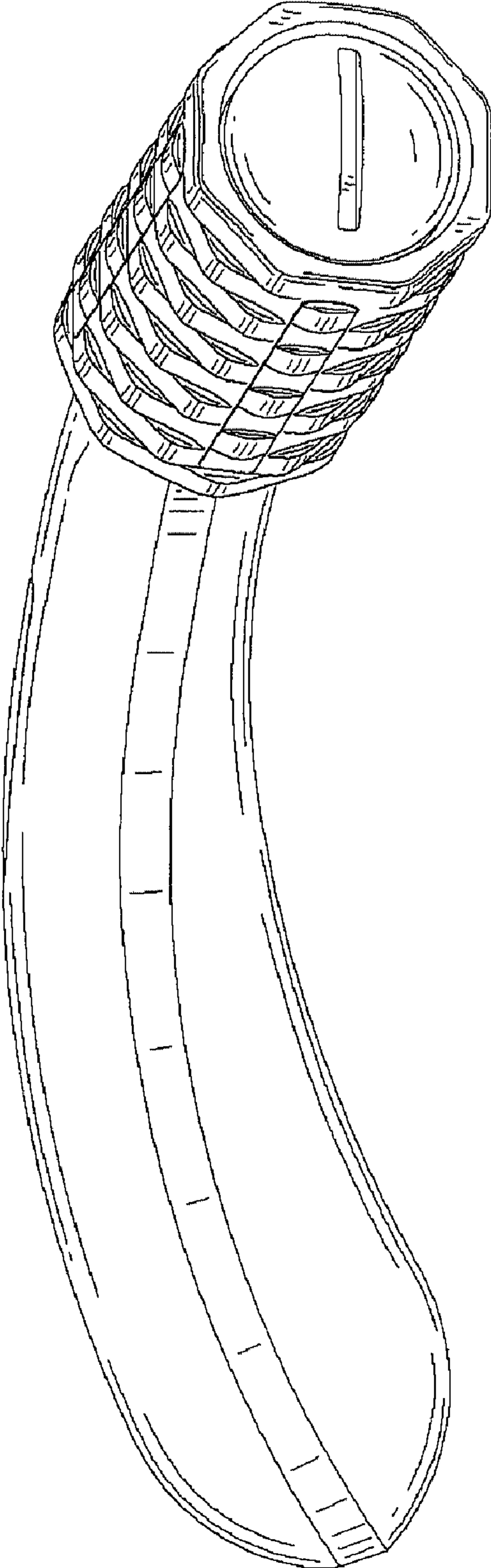


FIG. 2





**FIG. 3**

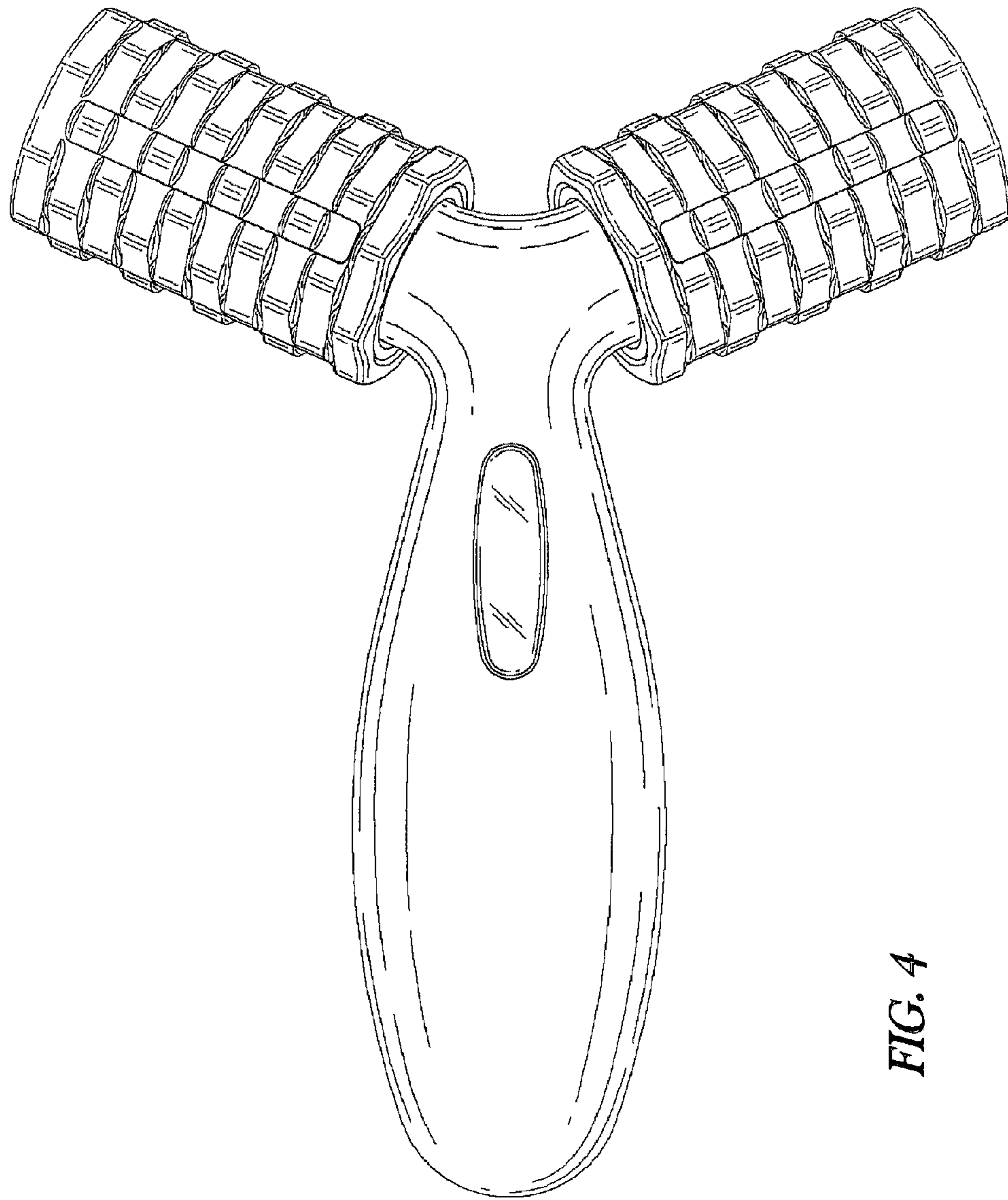


FIG. 4

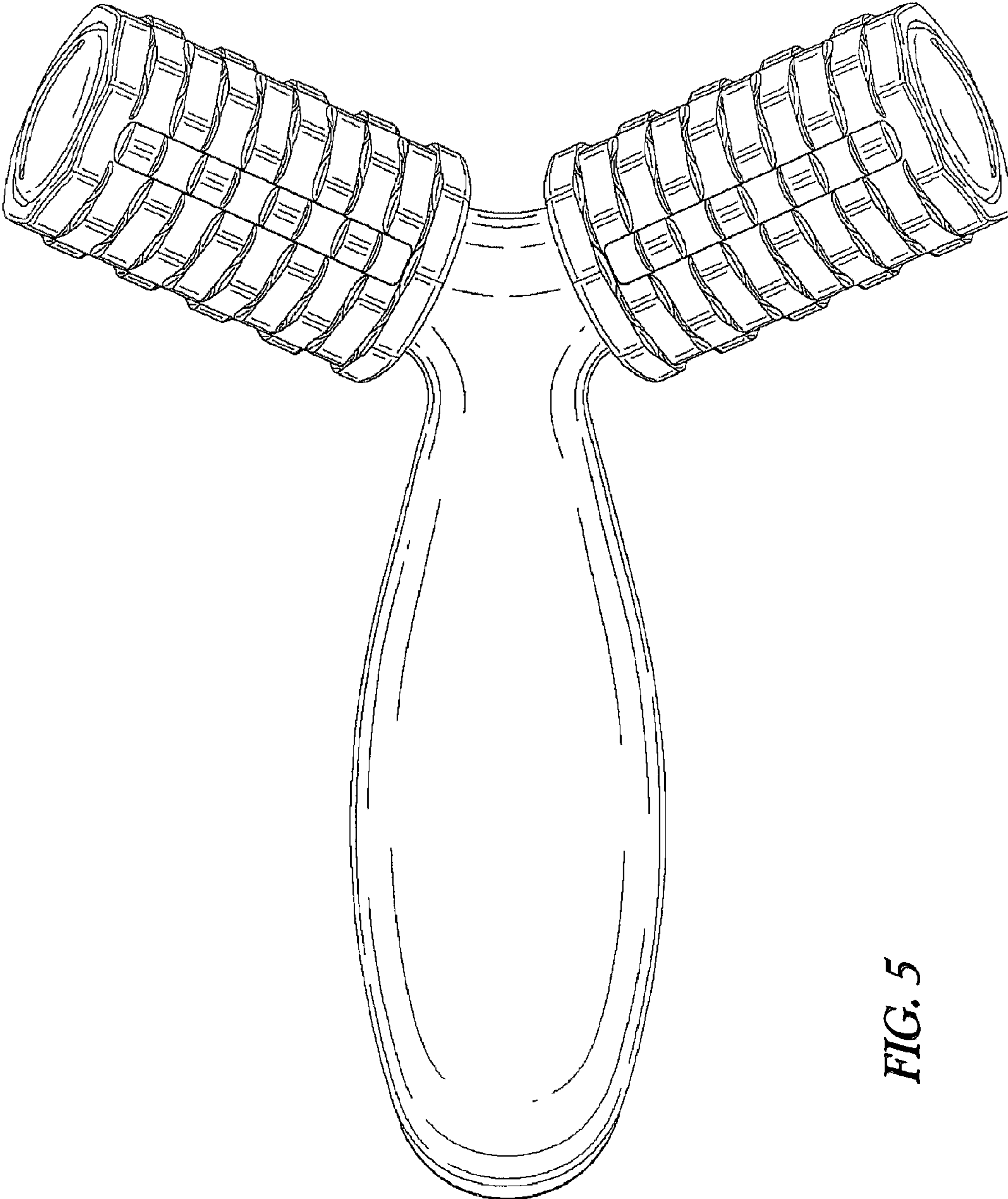
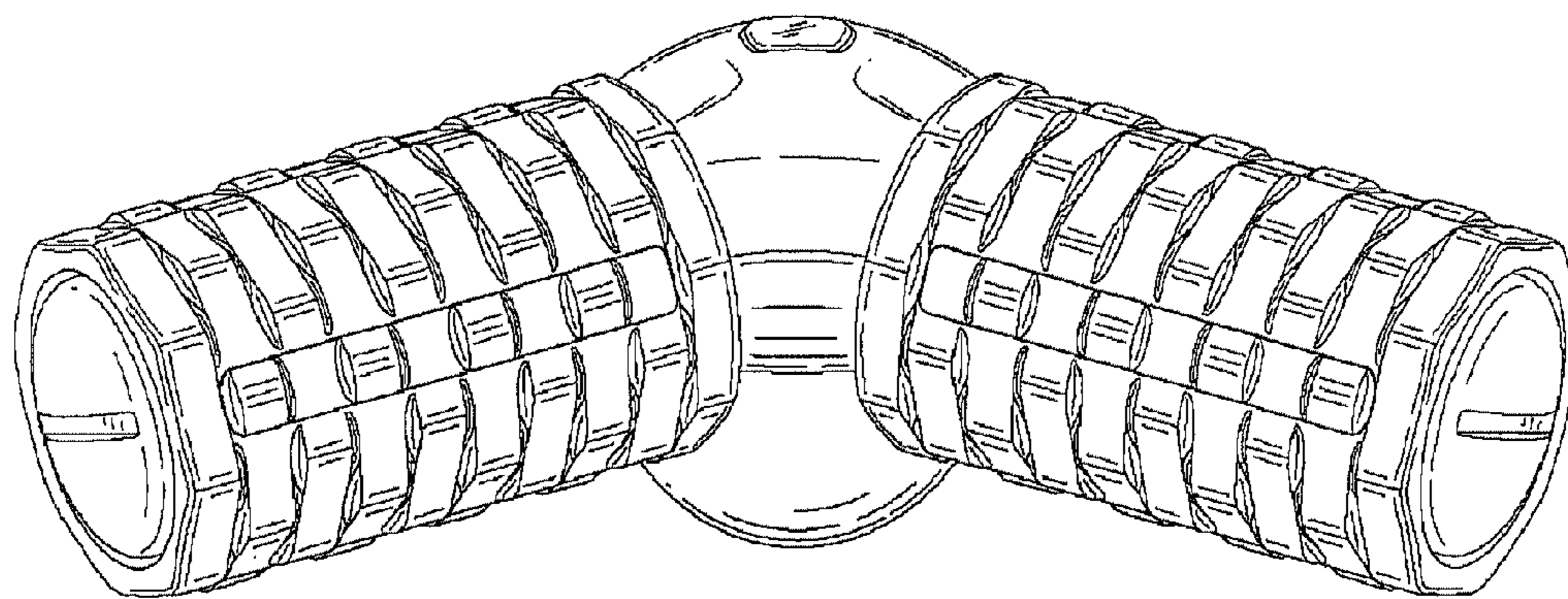
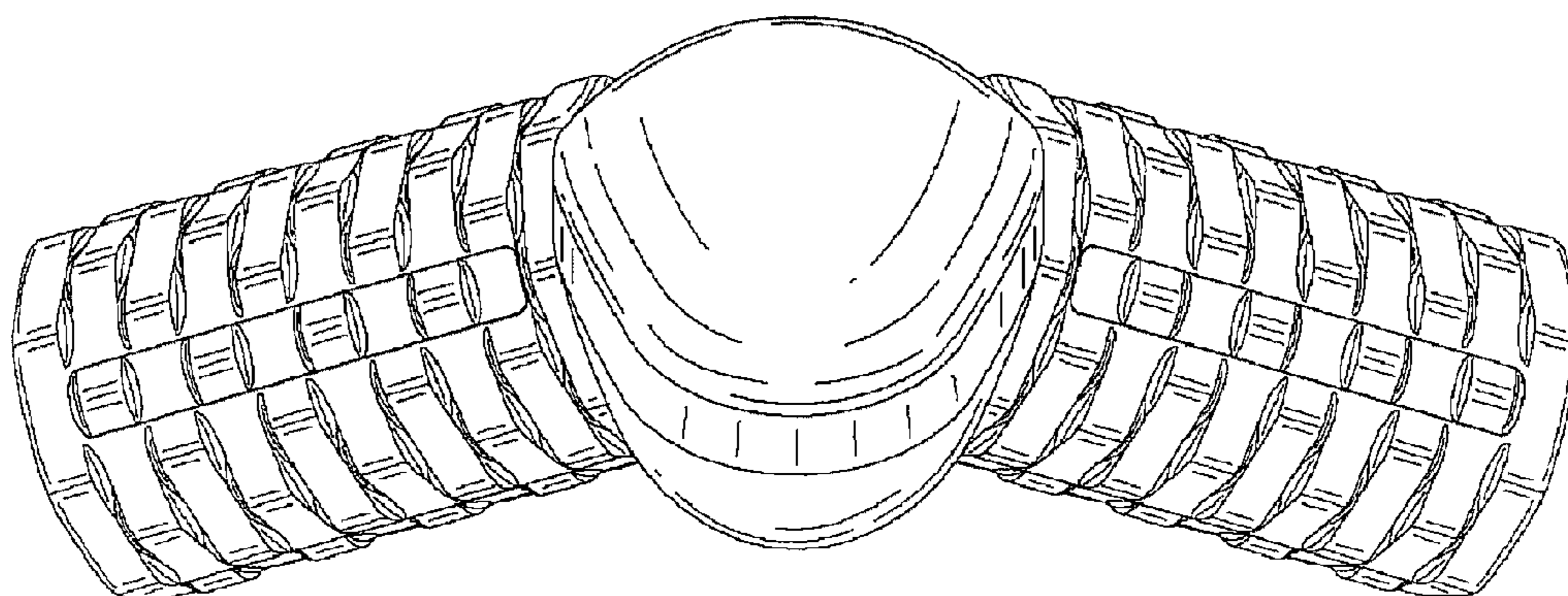


FIG. 5

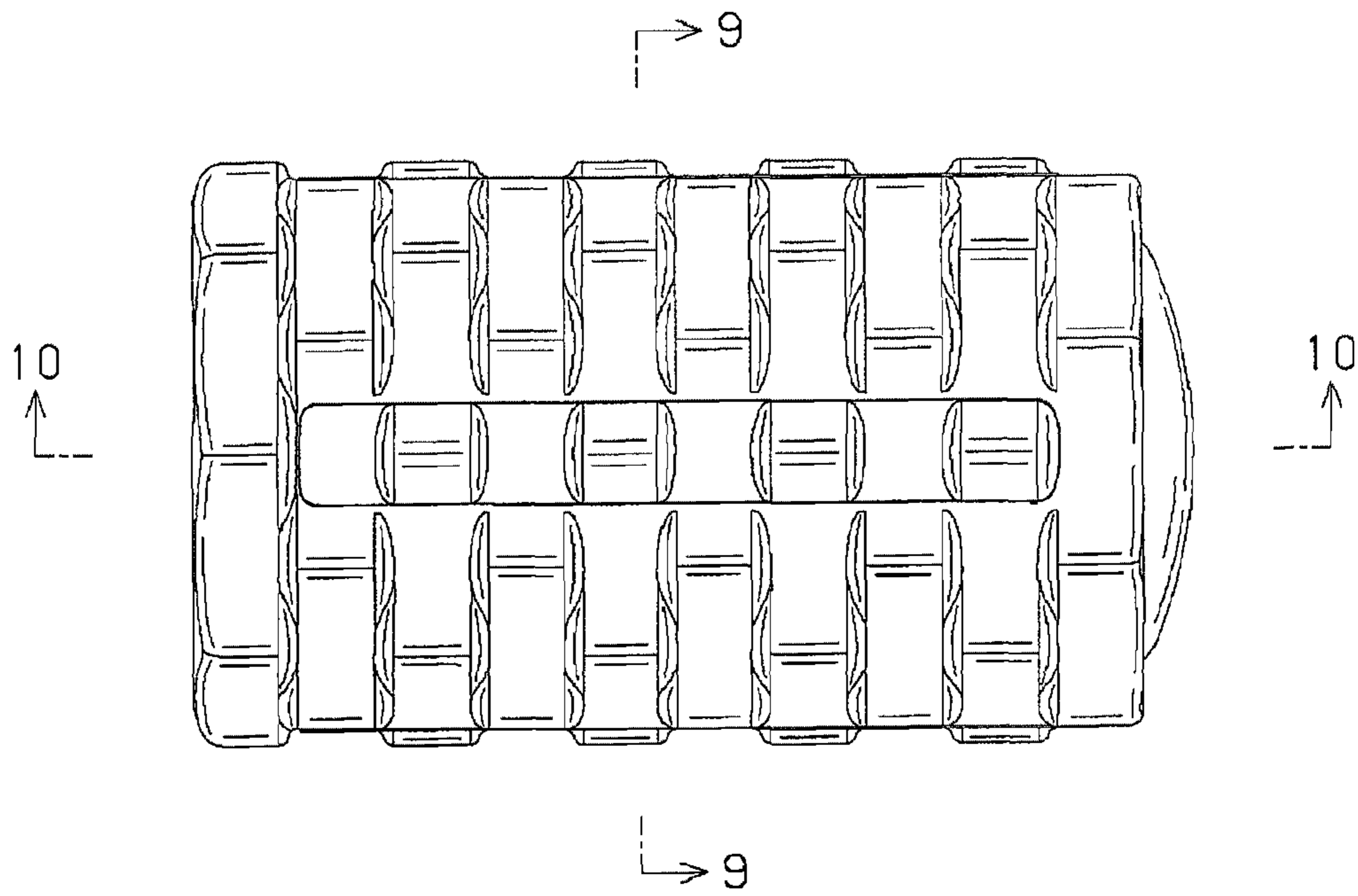


*FIG. 6*

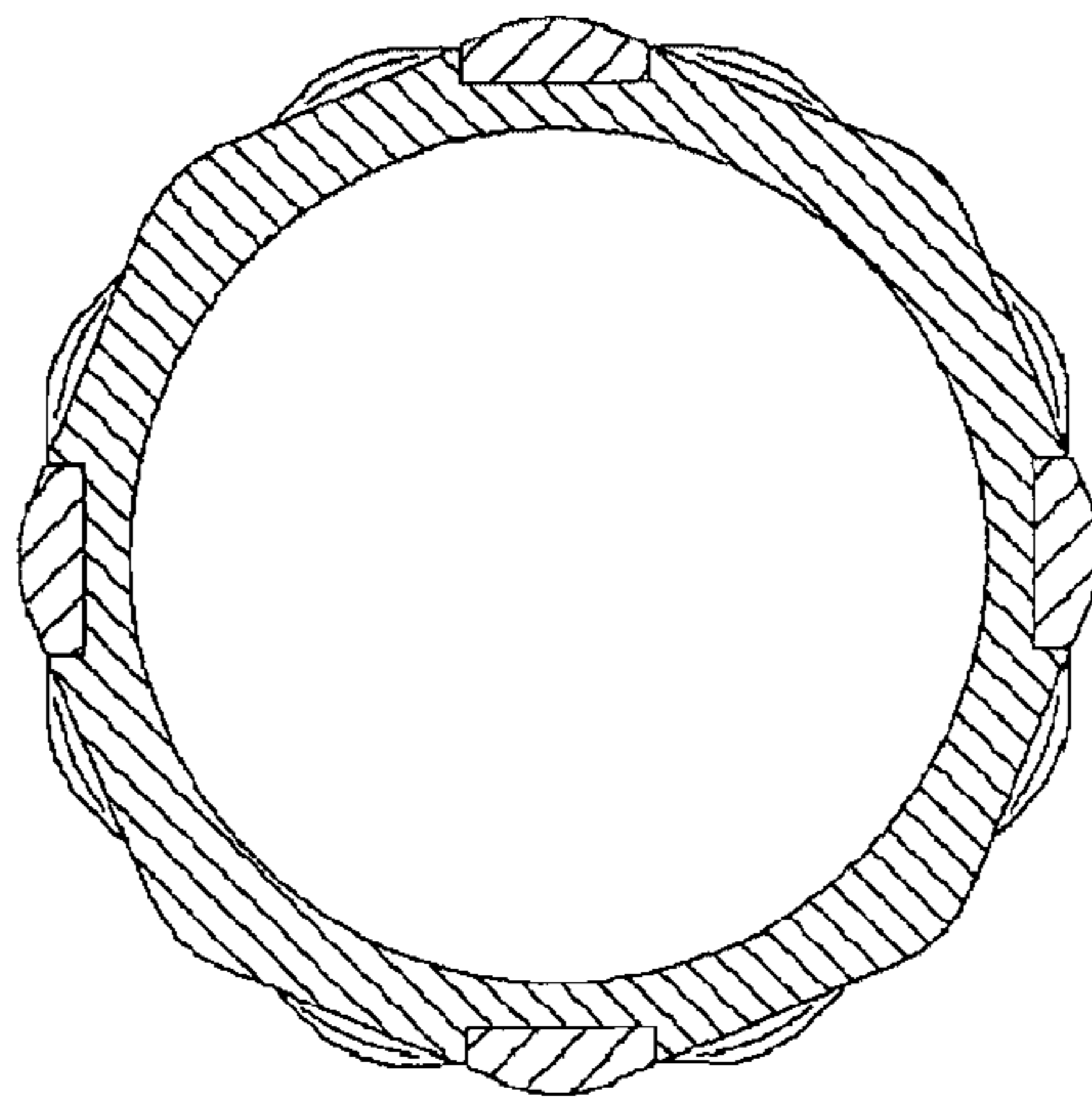


*FIG. 7*



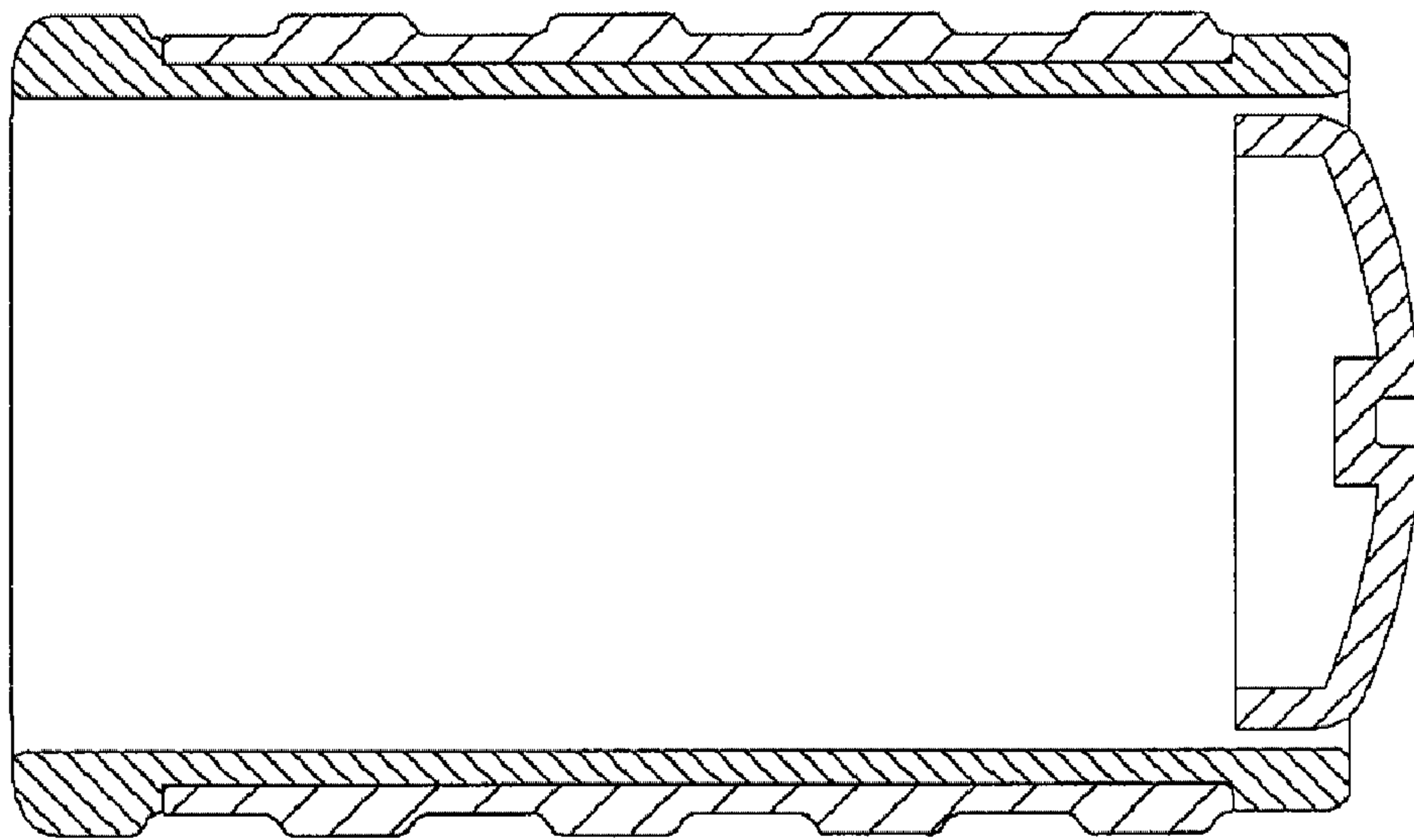


**FIG. 8**



**FIG. 9**





*FIG. 10*