



US00D656618S

(12) **United States Design Patent**  
**Gorovitz**

(10) **Patent No.:** **US D656,618 S**  
(45) **Date of Patent:** **\*\* Mar. 27, 2012**

(54) **MESSAGE TABLE**

(76) Inventor: **Marvin Gorovitz**, Philadelphia, PA (US)

(\*\*) Term: **14 Years**

(21) Appl. No.: **29/348,775**

(22) Filed: **Feb. 8, 2010**

(51) **LOC (9) Cl.** ..... **24-01**

(52) **U.S. Cl.** ..... **D24/183**

(58) **Field of Classification Search** ..... D24/183-184,  
D24/200; D6/595-596, 601, 604-605, 429;  
5/110-111, 431-437, 490, 636-637, 639-640,  
5/648, 620-621, 632, 613; 601/11, 652-654;  
108/36

See application file for complete search history.

(56) **References Cited**

**U.S. PATENT DOCUMENTS**

4,333,638	A *	6/1982	Gillotti	.....	5/613
D295,349	S *	4/1988	Mueller	.....	D6/429
5,009,170	A *	4/1991	Spehar	.....	108/36
D357,538	S	4/1995	Sockwell, II et al.		
D364,464	S *	11/1995	Gigante et al.	.....	D24/183
5,524,555	A *	6/1996	Fanuzzi	.....	108/132
D403,772	S *	1/1999	Fanuzzi	.....	D24/183
6,000,345	A *	12/1999	Gillotti	.....	108/36
6,052,847	A	4/2000	Allyn et al.		
6,295,668	B1 *	10/2001	Nation	.....	5/110
6,431,086	B1 *	8/2002	Lloyd	.....	108/36
6,588,034	B2	7/2003	Nation		
6,705,234	B1 *	3/2004	Miller et al.	.....	108/36
6,857,145	B1 *	2/2005	Sikes	.....	5/110
6,934,988	B1 *	8/2005	Wetzler et al.	.....	5/621
6,938,287	B1	9/2005	Mahshie		

D533,667	S *	12/2006	Roleder	.....	D24/183
D578,220	S	10/2008	Ebarb		
D585,139	S	1/2009	Andrews		
7,636,967	B1 *	12/2009	Stokes	.....	5/620
7,694,370	B1 *	4/2010	Lee	.....	5/632
2009/0211584	A1	8/2009	Savich		

\* cited by examiner

*Primary Examiner* — T. Chase Nelson

*Assistant Examiner* — Mark Cavanna

(74) *Attorney, Agent, or Firm* — John F. A. Earley, III; Frank J. Bonini, Jr.; Harding, Earley, Follmer & Frailey, P.C.

(57) **CLAIM**

An ornamental design for a massage table, as shown and described.

**DESCRIPTION**

FIG. 1 is a perspective view of a massage table according to my new design;

FIG. 2 is a top plan view thereof;

FIG. 3 is a left side elevation view thereof;

FIG. 4 is a right side elevation view thereof;

FIG. 5 is a front elevation view thereof;

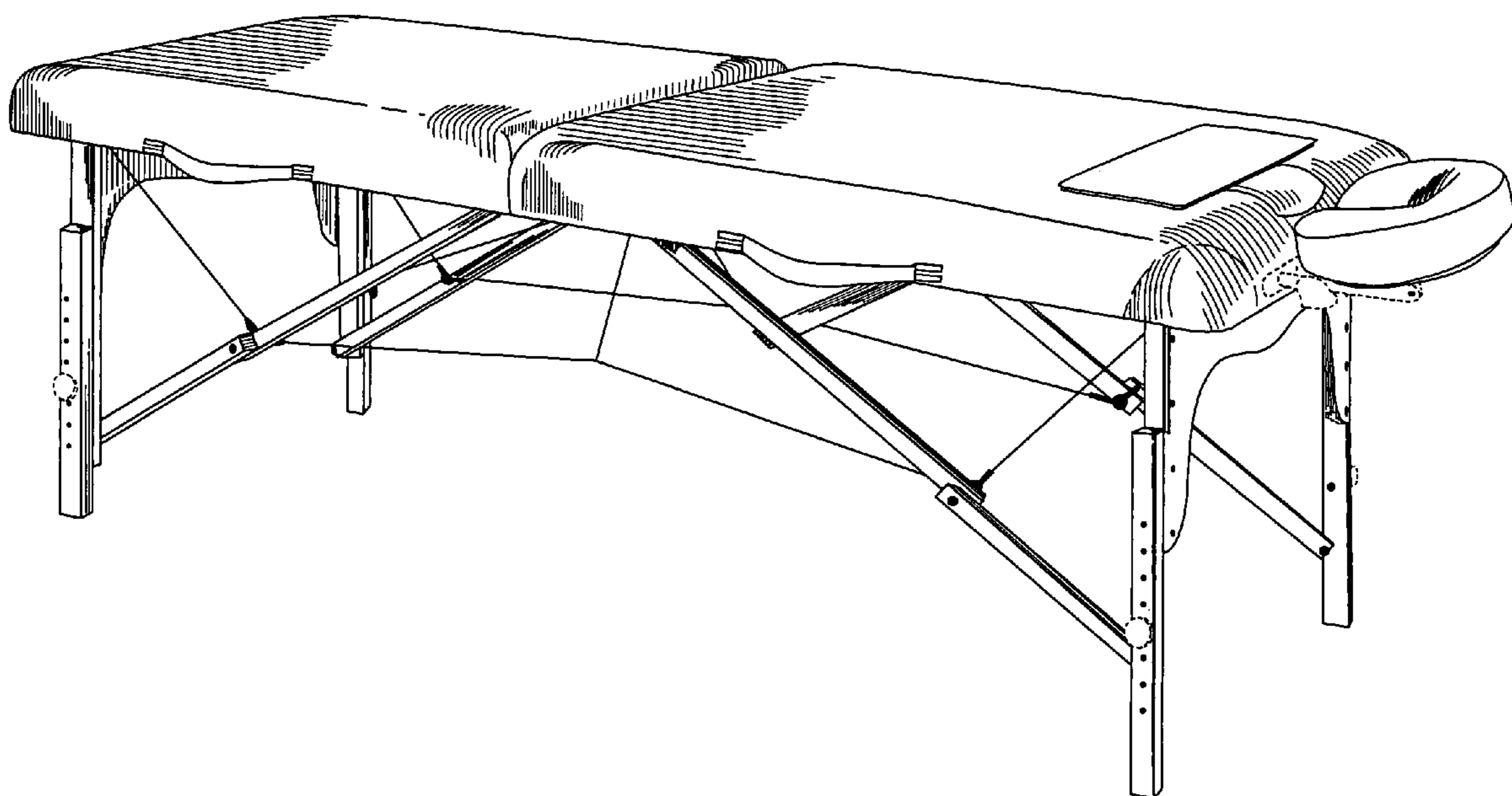
FIG. 6 is a rear elevation view thereof;

FIG. 7 is a perspective view of an alternate embodiment of my design, the rights side, left side, front and rear elevation views being the same as in FIGS. 3 through 6; and,

FIG. 8 is a top plan view of the alternate embodiment of FIG. 7.

The broken lines are included for the purpose of illustrating portions of the massage table that form no part of the claimed design.

**1 Claim, 3 Drawing Sheets**



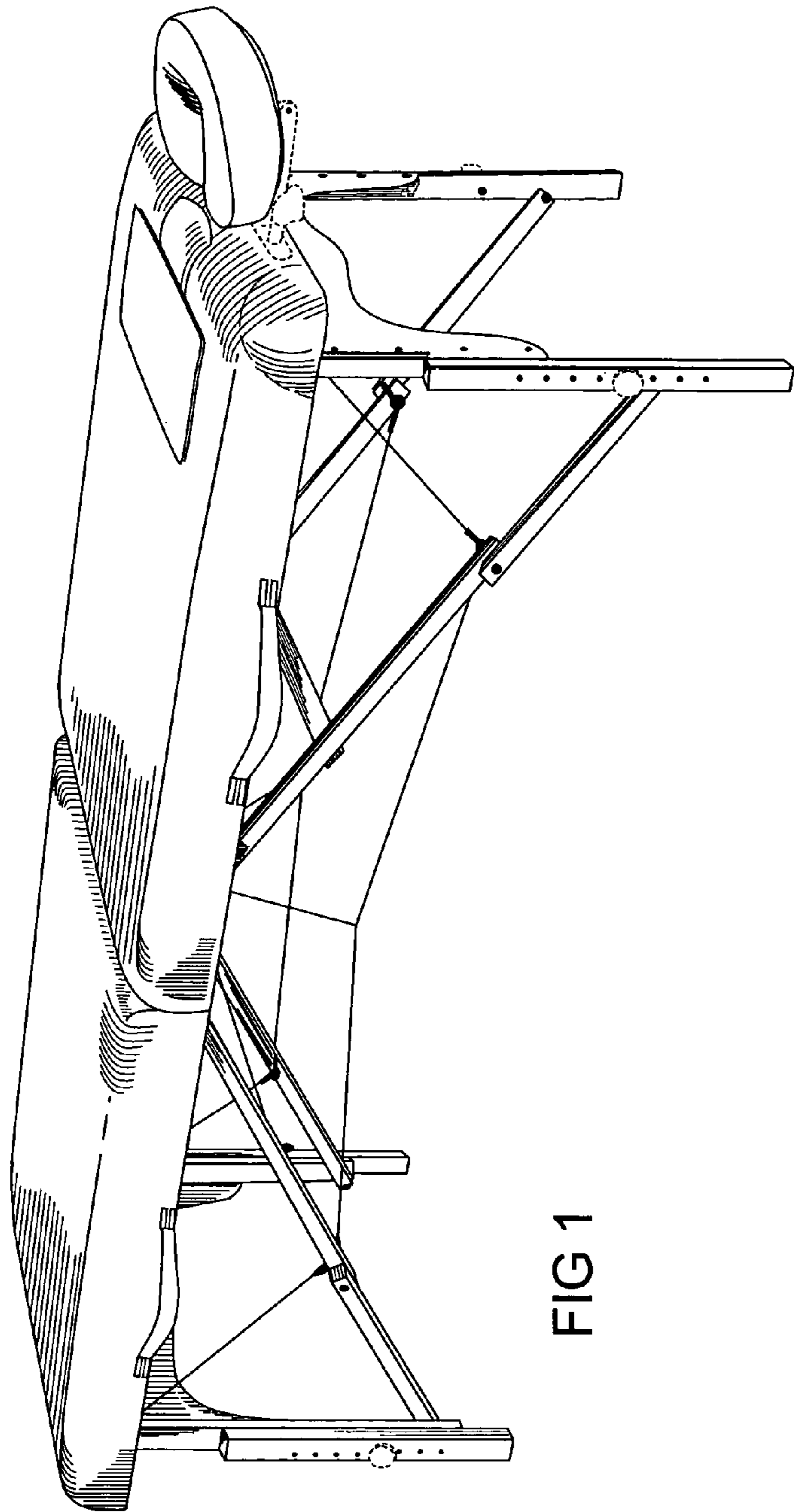


FIG 1

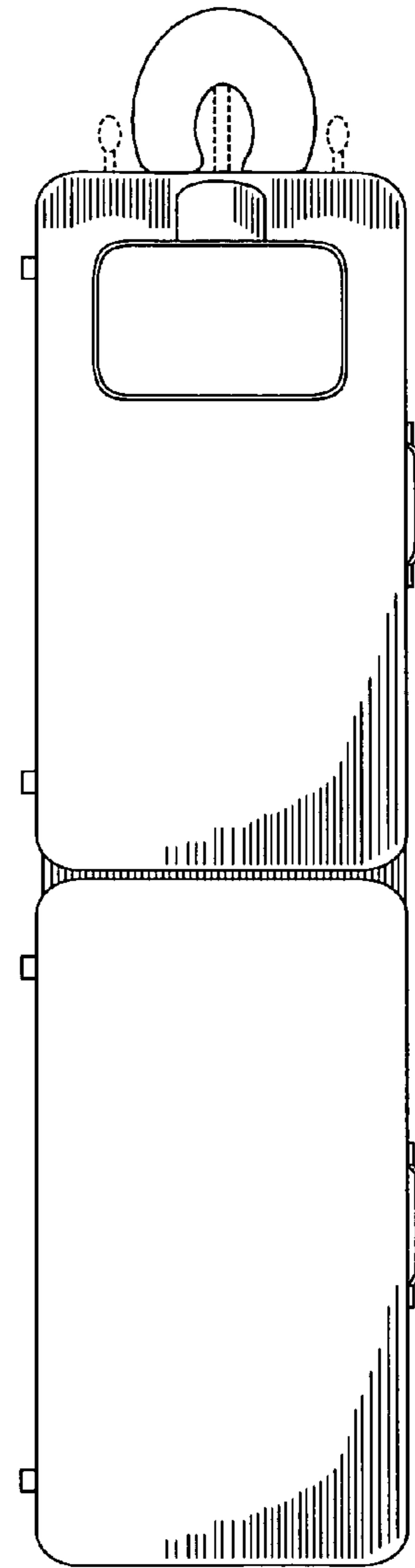


FIG 2

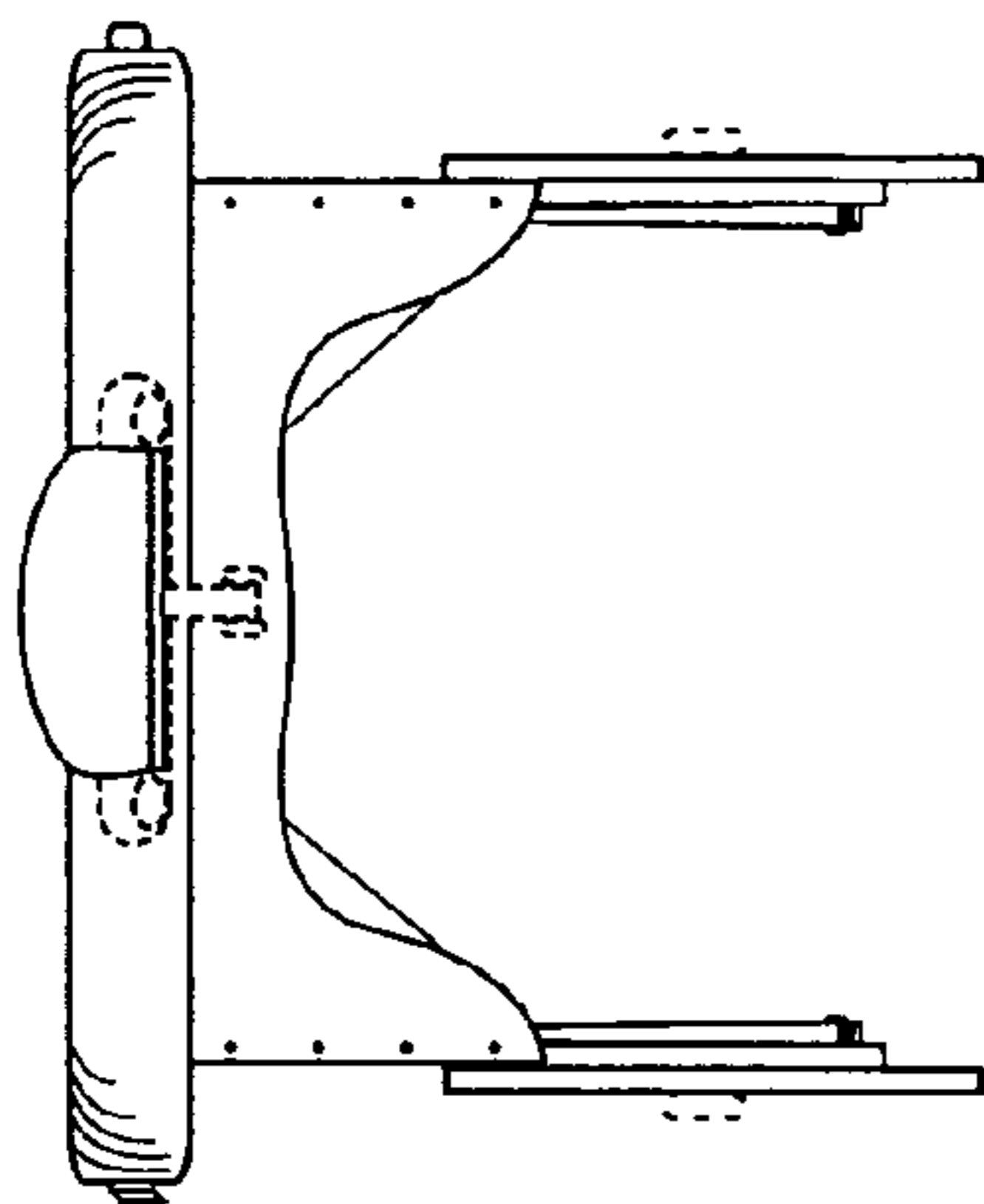


FIG 5

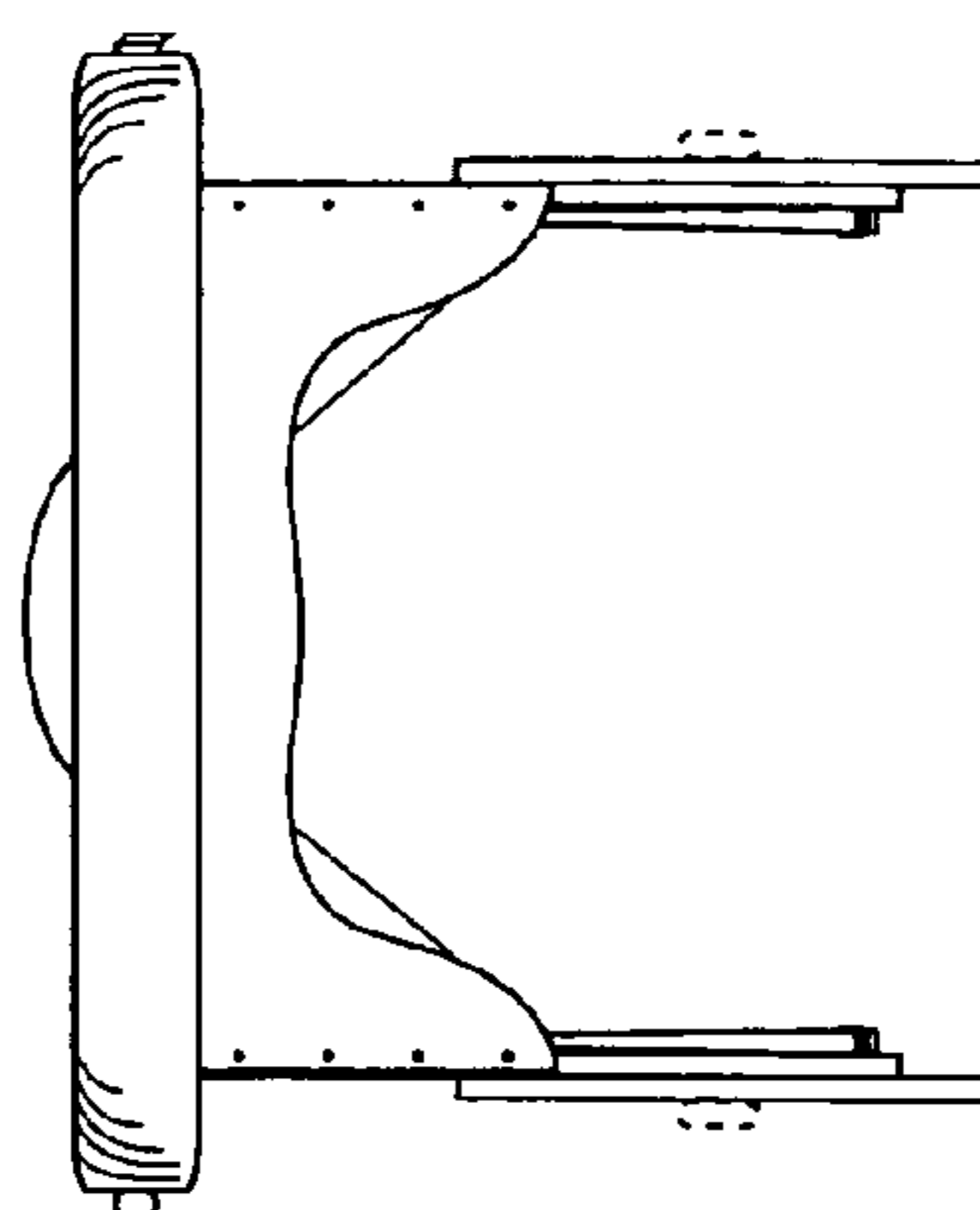


FIG 6

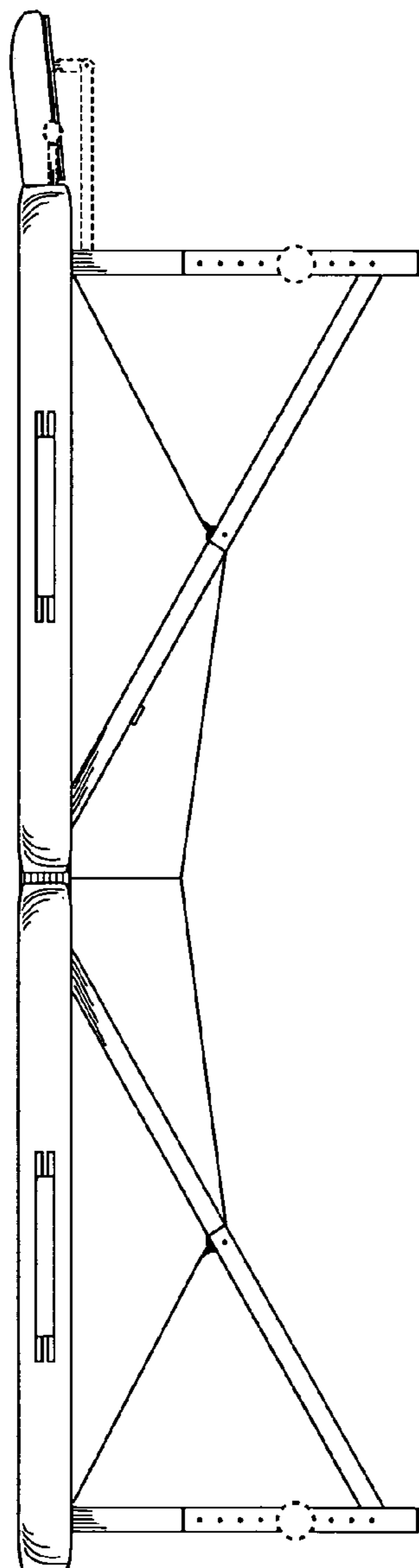


FIG 3

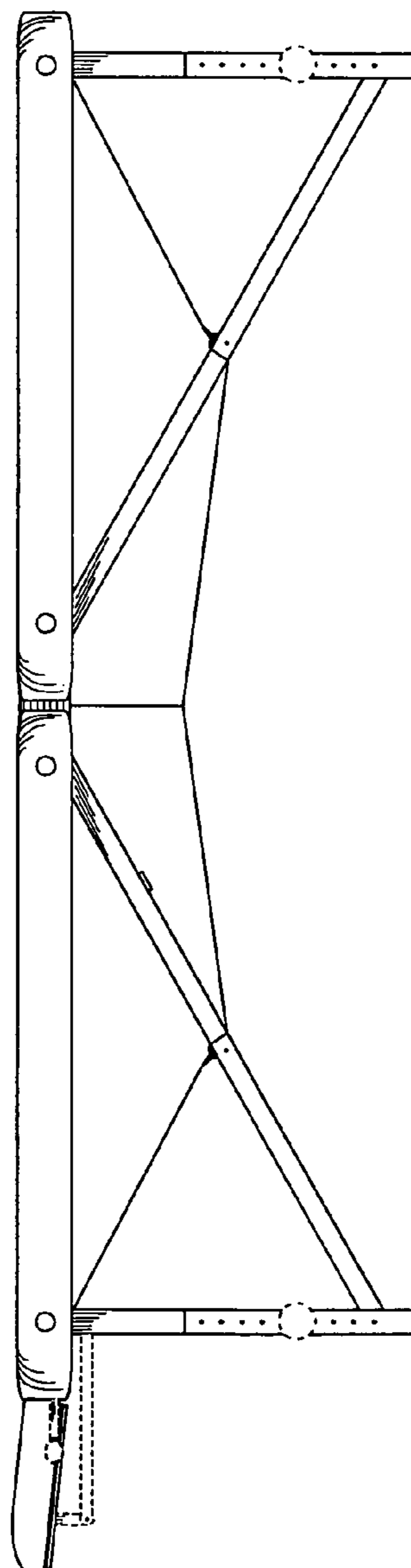


FIG 4

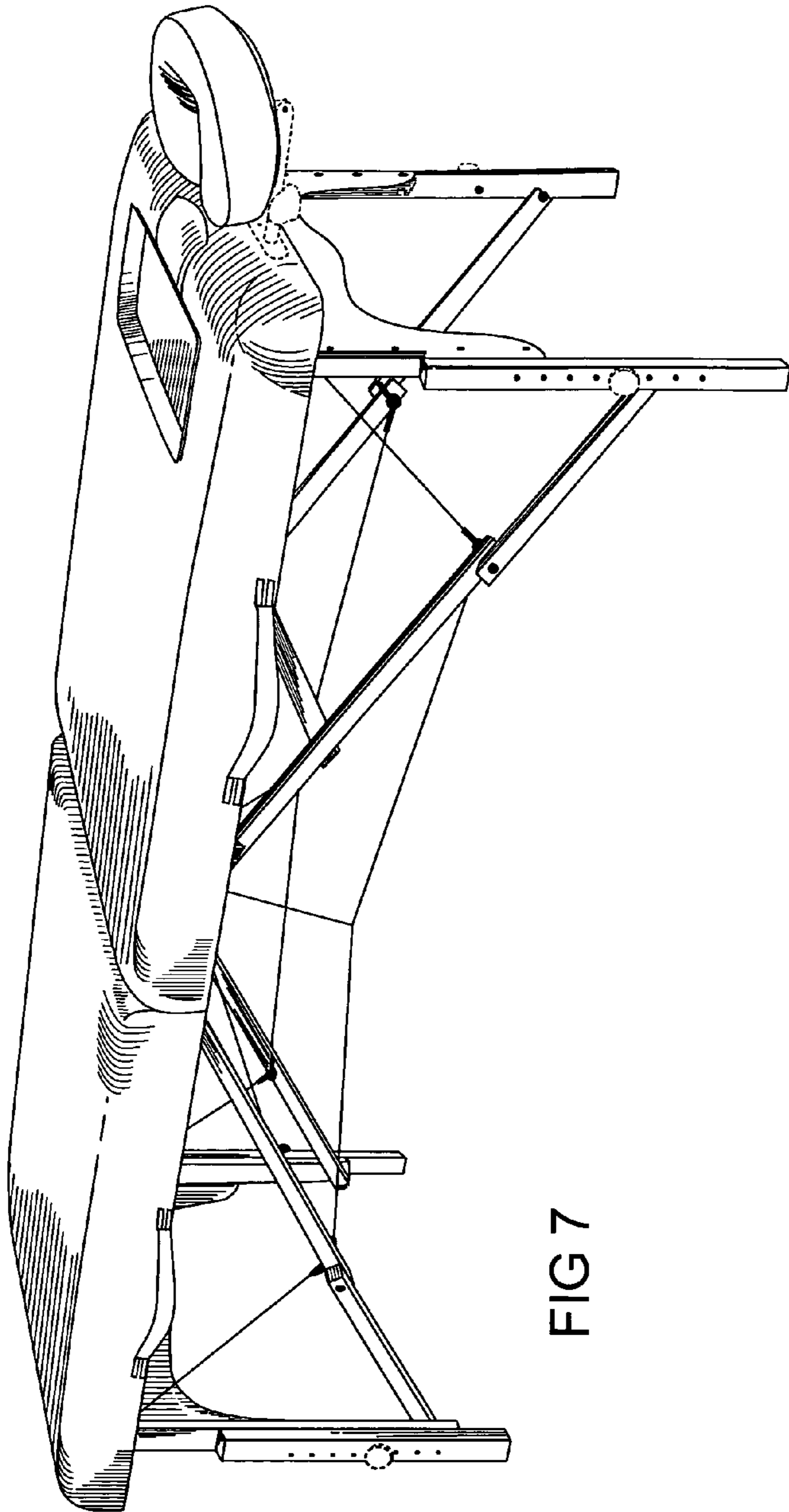


FIG 7

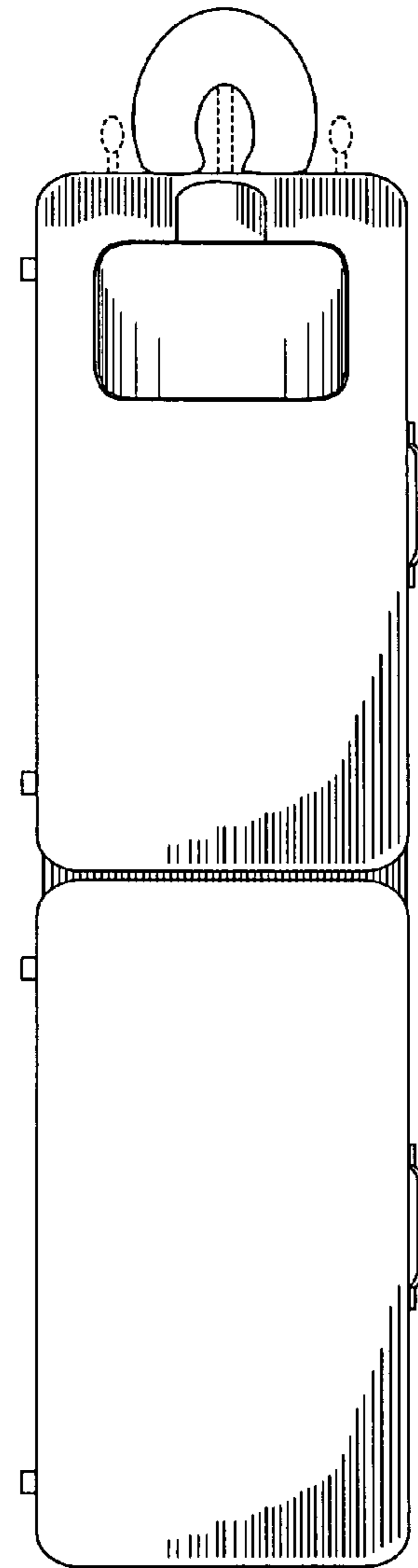


FIG 8

UNITED STATES PATENT AND TRADEMARK OFFICE  
**CERTIFICATE OF CORRECTION**

PATENT NO. : D656,618 S  
APPLICATION NO. : 29/348775  
DATED : March 27, 2012  
INVENTOR(S) : Gorovitz et al.

Page 1 of 1

It is certified that error appears in the above-identified patent and that said Letters Patent is hereby corrected as shown below:

Title Page, Item (12) delete "Gorovitz" and insert --Gorovitz et al.--.

Title Page, Item (75) Inventor, should read

--(75) Inventors: Marvin Gorovitz, Philadelphia, PA (US); Bronwen DuPertuis,  
Conshohocken, PA (US)--.

Signed and Sealed this  
Fifteenth Day of March, 2016



Michelle K. Lee  
*Director of the United States Patent and Trademark Office*