



US00D656617S

(12) **United States Design Patent**
Massad

(10) **Patent No.:** **US D656,617 S**
(45) **Date of Patent:** **** Mar. 27, 2012**

(54) **SLENDER PIN RECEIVER FOR A JAW
RELATION RECORDING DEVICE**

(75) Inventor: **Joseph J. Massad**, Tulsa, OK (US)

(73) Assignee: **Global Dental Impression Trays, Inc.**,
Tulsa, OK (US)

(**) Term: **14 Years**

(21) Appl. No.: **29/401,877**

(22) Filed: **Sep. 16, 2011**

Related U.S. Application Data

(62) Division of application No. 29/382,237, filed on Dec. 30, 2010, now Pat. No. Des. 647,206.

(51) **LOC (9) Cl.** **24-02**

(52) **U.S. Cl.** **D24/181; D24/140**

(58) **Field of Classification Search** D24/140,
D24/152, 156, 180, 181; 433/68, 69, 213,
433/214

See application file for complete search history.

(56) **References Cited**

U.S. PATENT DOCUMENTS

2,183,512 A	12/1939	Brenner
2,863,216 A	12/1958	Lichtman et al.
4,055,896 A	11/1977	Corbett
4,286,947 A	9/1981	Daiberl
4,304,551 A	12/1981	Kawasaki
4,964,769 A	10/1990	Hass
5,007,830 A	4/1991	Joffe
5,186,624 A	2/1993	Gottleben
5,188,529 A	2/1993	Luth
5,336,087 A	8/1994	Vogel et al.

5,722,828 A	3/1998	Halstrom	
5,971,756 A	10/1999	Fjelstad	
5,989,023 A	11/1999	Summer et al.	
6,106,285 A	8/2000	Kwak	
6,152,730 A	11/2000	Wildman	
D642,277 S *	7/2011	Farrell	D24/181
7,988,450 B2 *	8/2011	Ho et al.	433/214
D647,206 S *	10/2011	Massad	D24/181
D649,245 S *	11/2011	Klebs et al.	D24/140
D649,252 S *	11/2011	Spainhower	D24/181
D649,637 S *	11/2011	Penaloza et al.	D24/135
2006/0172254 A1	8/2006	Shindo et al.	

FOREIGN PATENT DOCUMENTS

EP 0950384 10/1999

* cited by examiner

Primary Examiner — Bridget L Eland

(74) *Attorney, Agent, or Firm* — Head, Johnson & Kachigian, P.C.

(57) **CLAIM**

The ornamental design for a slender pin receiver for a jaw relation recording device, as shown and described.

DESCRIPTION

FIG. 1 is a top perspective view of a slender pin receiver for a jaw relation recording device showing my new design;
FIG. 2 is a top view of FIG. 1;
FIG. 3 is a side view of FIG. 1;
FIG. 4 is a bottom view of FIG. 1;
FIG. 5 is a front view of FIG. 1;
FIG. 6 is a rear view of FIG. 1; and,
FIG. 7 is a cross-sectional view along line 7-7 of the slender pin receiver for a jaw relation recording device shown in FIG. 2.

1 Claim, 2 Drawing Sheets

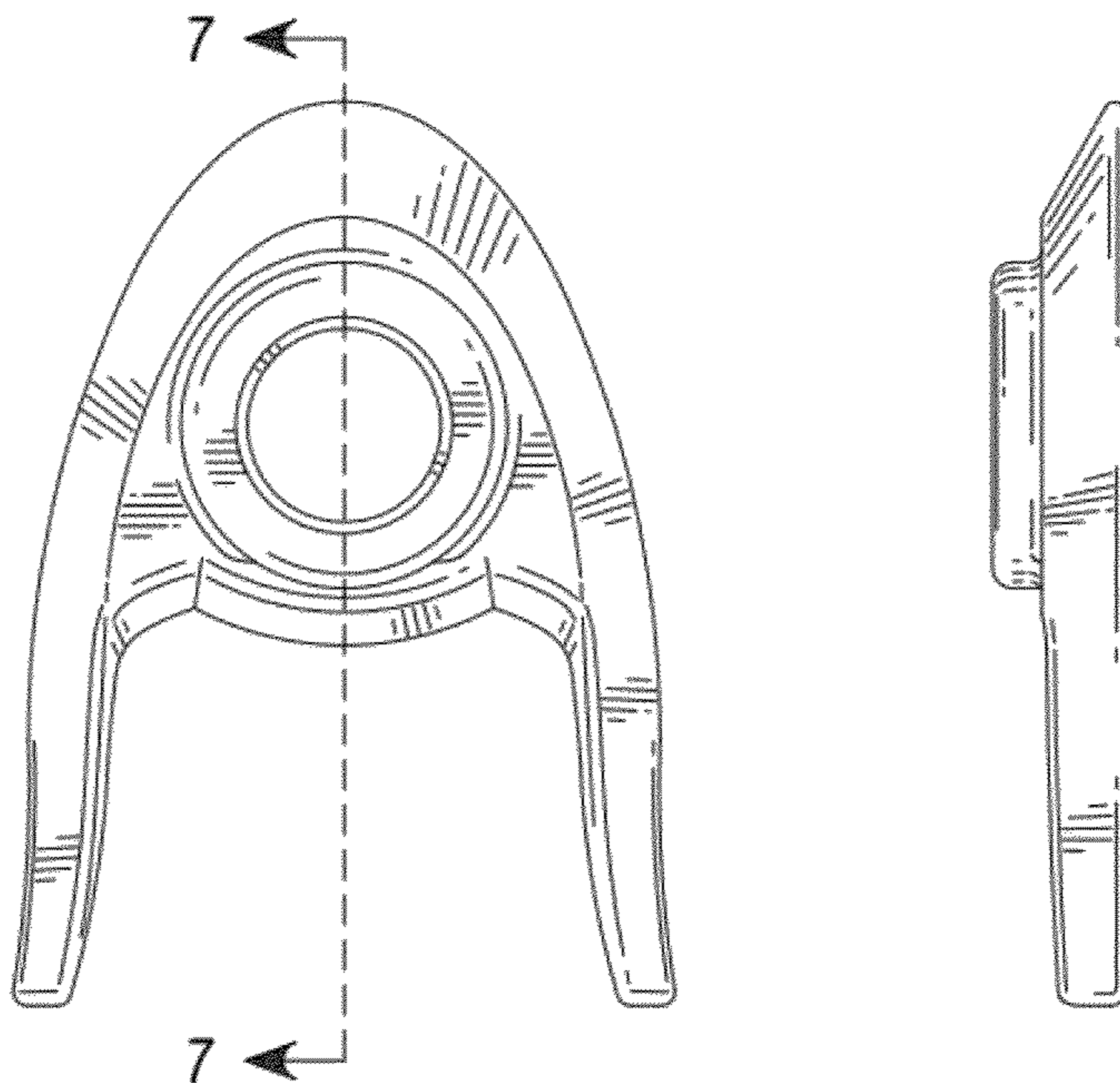


FIG. 1

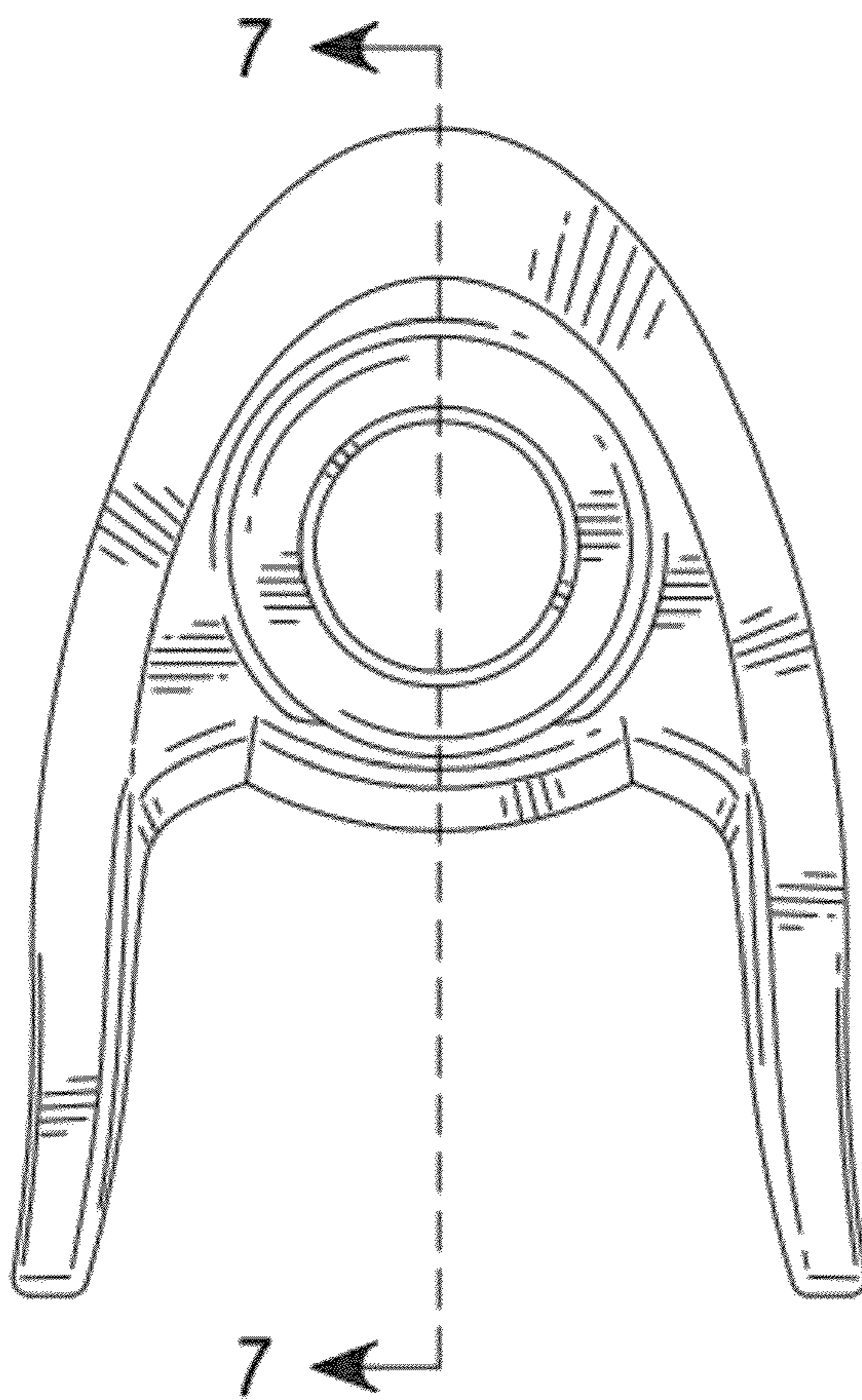
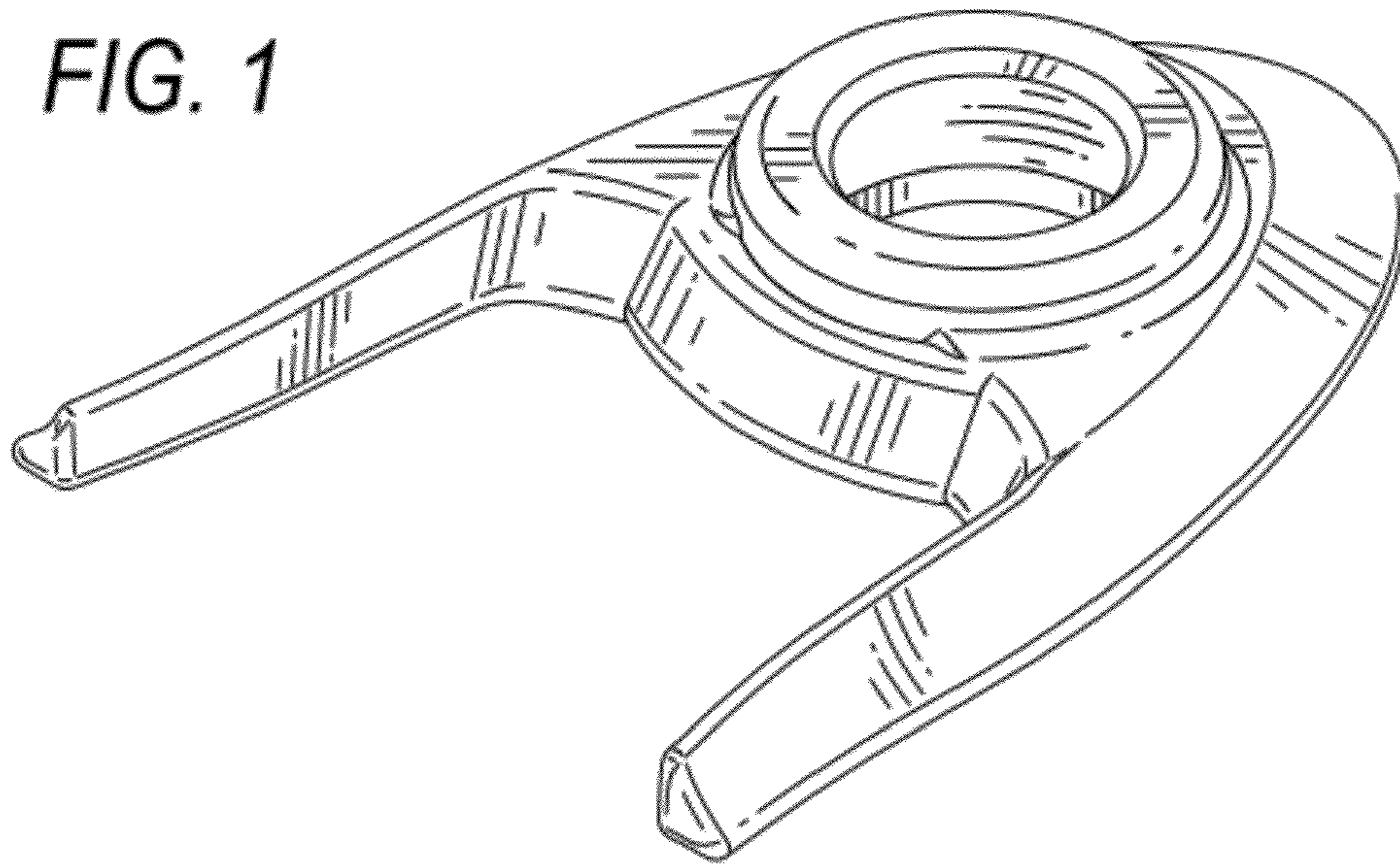


FIG. 2

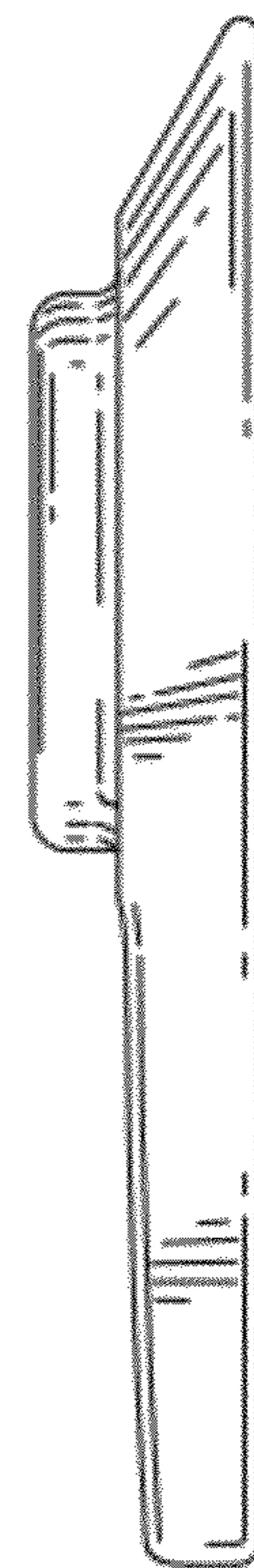


FIG. 3

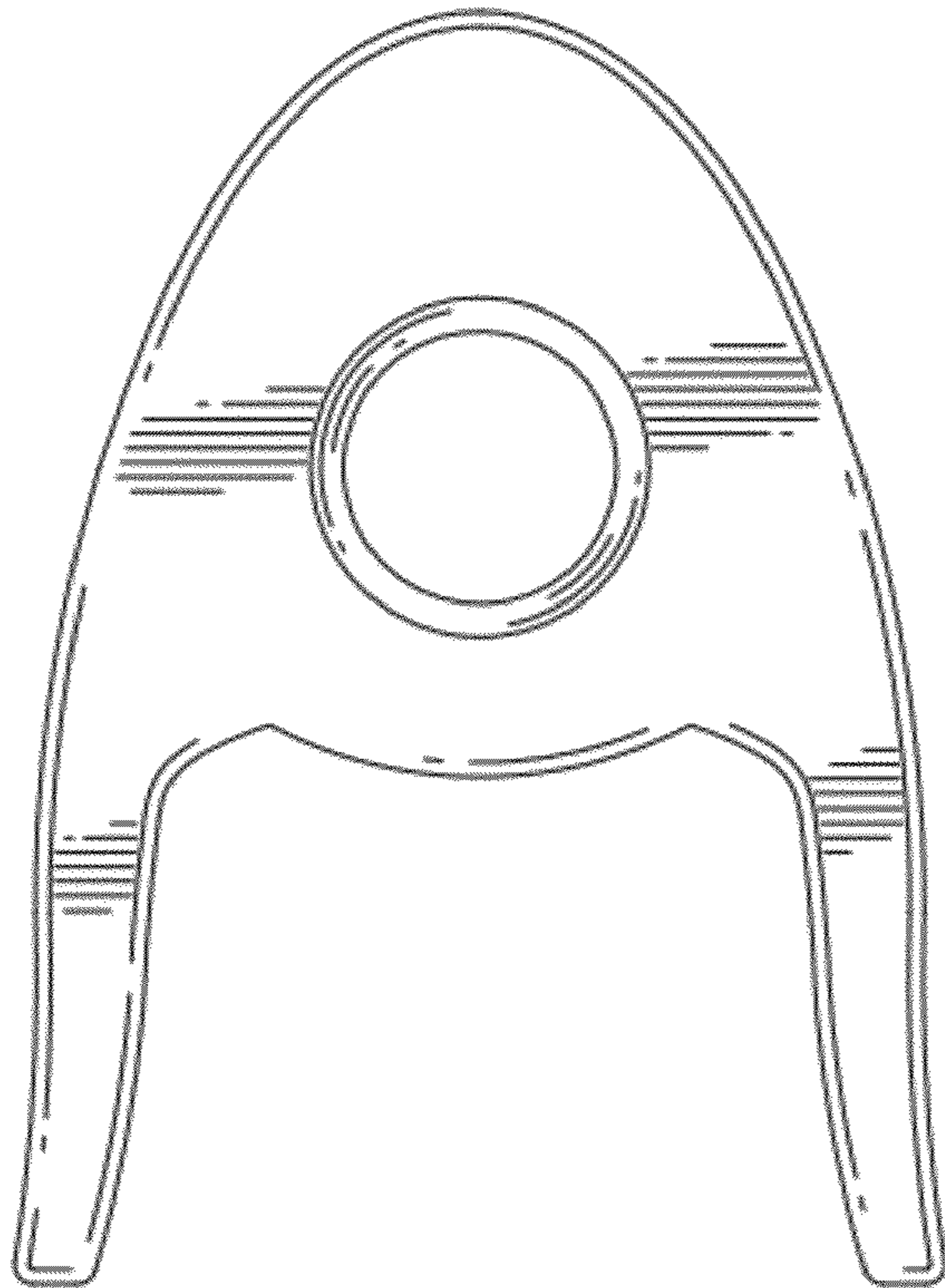


FIG. 4

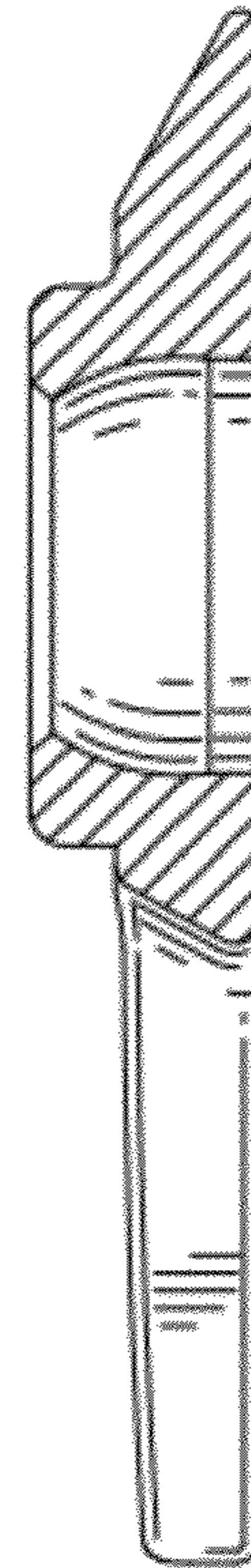


FIG. 7

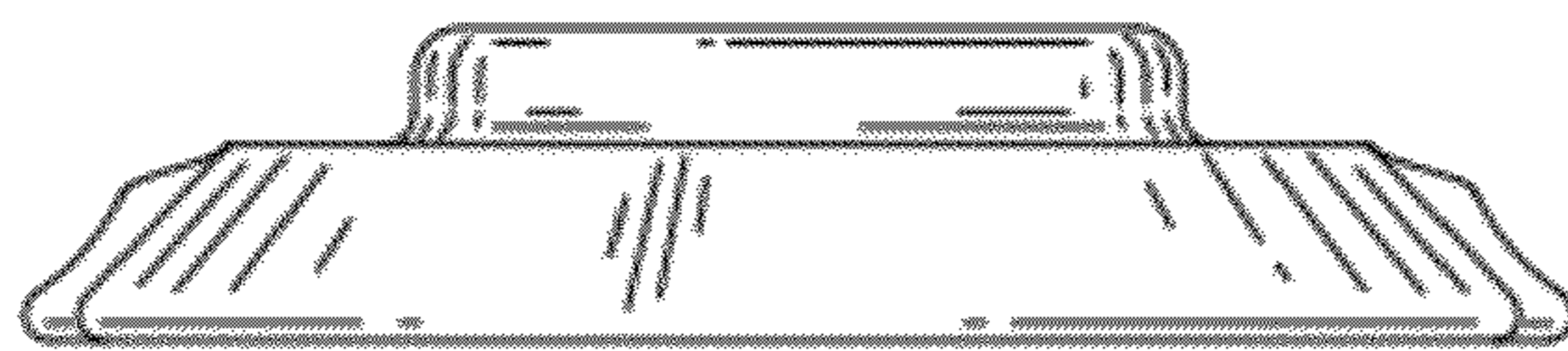


FIG. 5

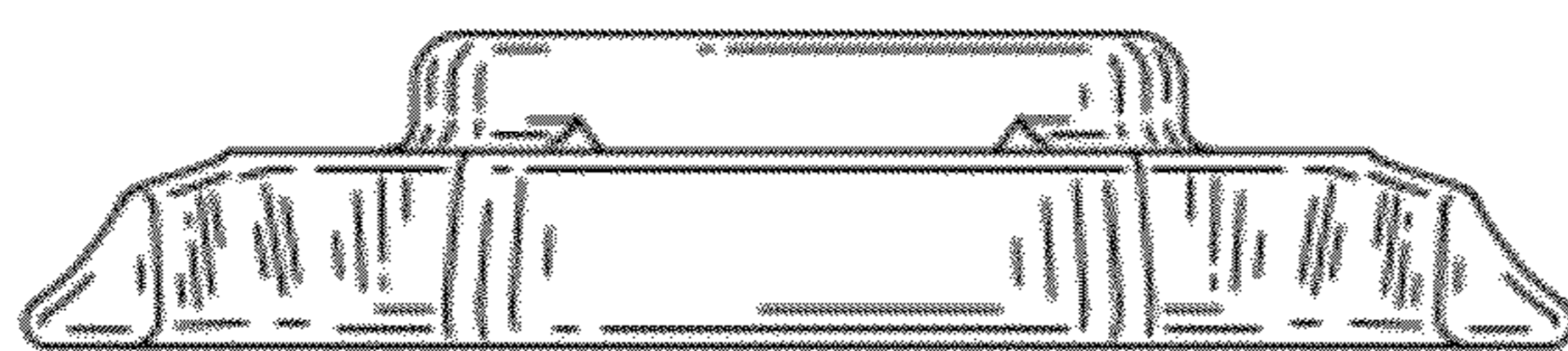


FIG. 6