



US00D656613S

(12) **United States Design Patent**
Garcia et al.

(10) **Patent No.:** **US D656,613 S**
(45) **Date of Patent:** **** Mar. 27, 2012**

(54) **DRIVER BIT FOR A LACTOSORBIC
SURGICAL FASTENER**

(75) Inventors: **Saddy R. Garcia**, Saint Augustine, FL (US); **Bradley Winterroth**, Wesley Chapel, FL (US); **Ryan Nicholas Luby**, Atlantic Beach, FL (US); **Larry Miller**, Ponte Vedra Beach, FL (US); **Christopher C. Dyer**, Overland Park, KS (US); **Benjamin J. Gray**, Kansas City, MO (US); **Allan J. Meredith**, Overland Park, KS (US)

(73) Assignee: **Biomet Microfixation, LLC**, Jacksonville, FL (US)

(**) Term: **14 Years**

(21) Appl. No.: **29/373,891**

(22) Filed: **Jun. 3, 2011**

(51) **LOC (9) Cl.** **24-02**

(52) **U.S. Cl.** **D24/145**

(58) **Field of Classification Search** D24/133, D24/146-147, 140, 149, 152, 155, 145; D8/16, D8/24, 70, 86, 387; D15/139; 81/52, 437, 81/439, 436, 459; 408/153, 214, 220, 225, 408/227; 433/165, 158, 161; 606/96, 98, 606/104, 167, 176, 65, 80, 86 R

See application file for complete search history.

(56) **References Cited**

U.S. PATENT DOCUMENTS

3,063,316	A *	11/1962	Salierno	81/124.1
3,128,768	A *	4/1964	Geistauts	606/80
4,205,444	A *	6/1980	Weissman	433/165
D359,216	S *	6/1995	Kozak	D8/70
5,628,751	A *	5/1997	Sander et al.	606/104
5,645,547	A *	7/1997	Coleman	606/104
7,141,074	B2 *	11/2006	Fanger et al.	606/80
D589,319	S *	3/2009	Peters	D8/70
D616,275	S *	5/2010	Kang	D8/70
7,766,920	B2 *	8/2010	Ciccione et al.	606/104
2002/0049447	A1 *	4/2002	Li	606/73
2008/0215060	A1	9/2008	Garcia et al.	

OTHER PUBLICATIONS

U.S. Appl. No. 29/373,890, Garcia et al., Jun. 3, 2011.
U.S. Appl. No. 29/373,886, Garcia et al., Jun. 3, 2011.
U.S. Appl. No. 13/134,253, Garcia et al., Jun. 2, 2011.

* cited by examiner

Primary Examiner — Wan Laymon

(74) *Attorney, Agent, or Firm* — Warn Partners, P.C.; David L. Ahlersmeyer

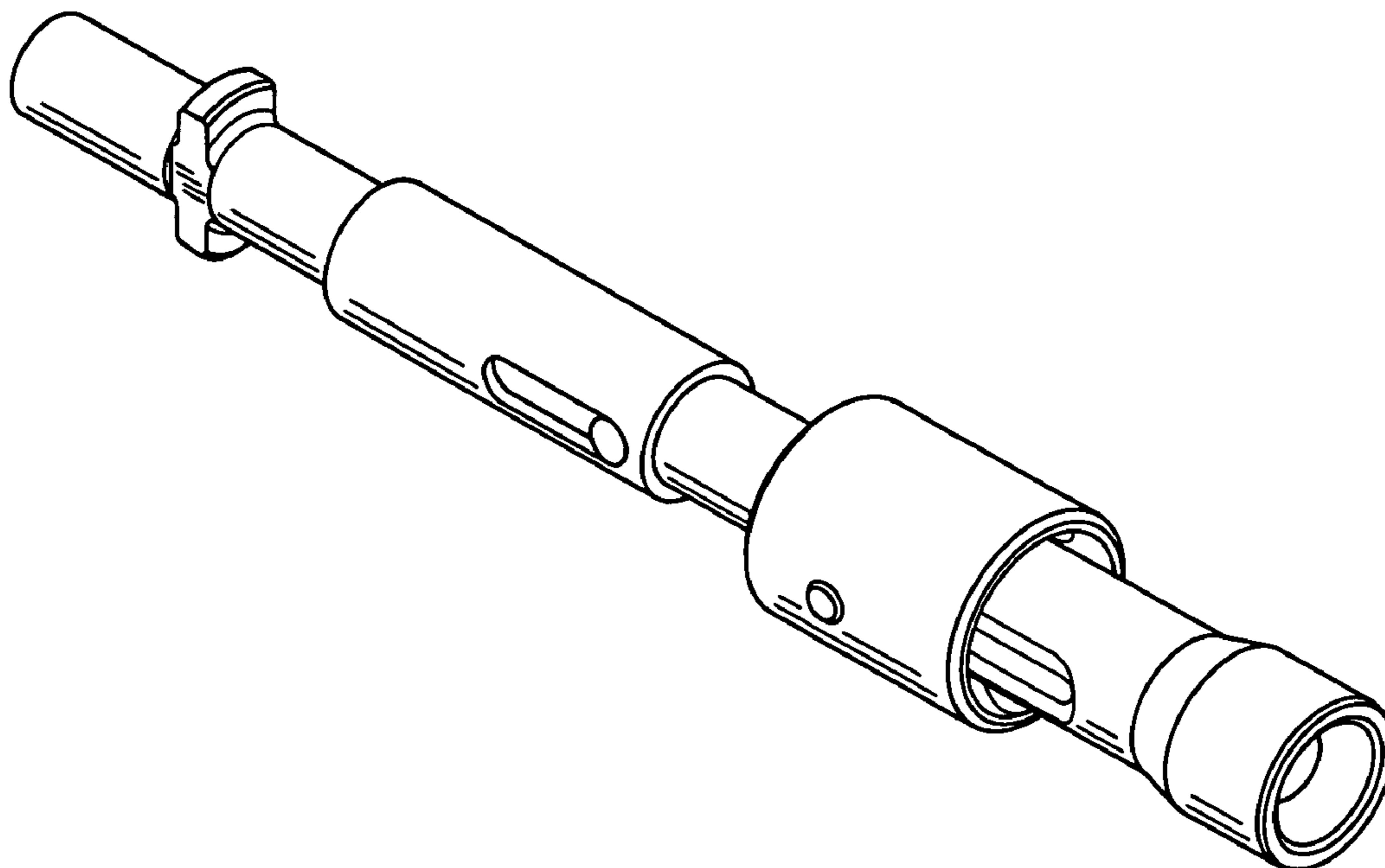
(57) **CLAIM**

The ornamental design for a driver bit for a lactosorbic surgical fastener, as shown and described.

DESCRIPTION

FIG. 1 is a perspective view of a driver bit for a lactosorbic surgical fastener showing our design; FIG. 2 is a side elevational view thereof; FIG. 3 is a top plan view thereof; FIG. 4 is a rear view thereof; and, FIG. 5 is a front view thereof.

1 Claim, 1 Drawing Sheet



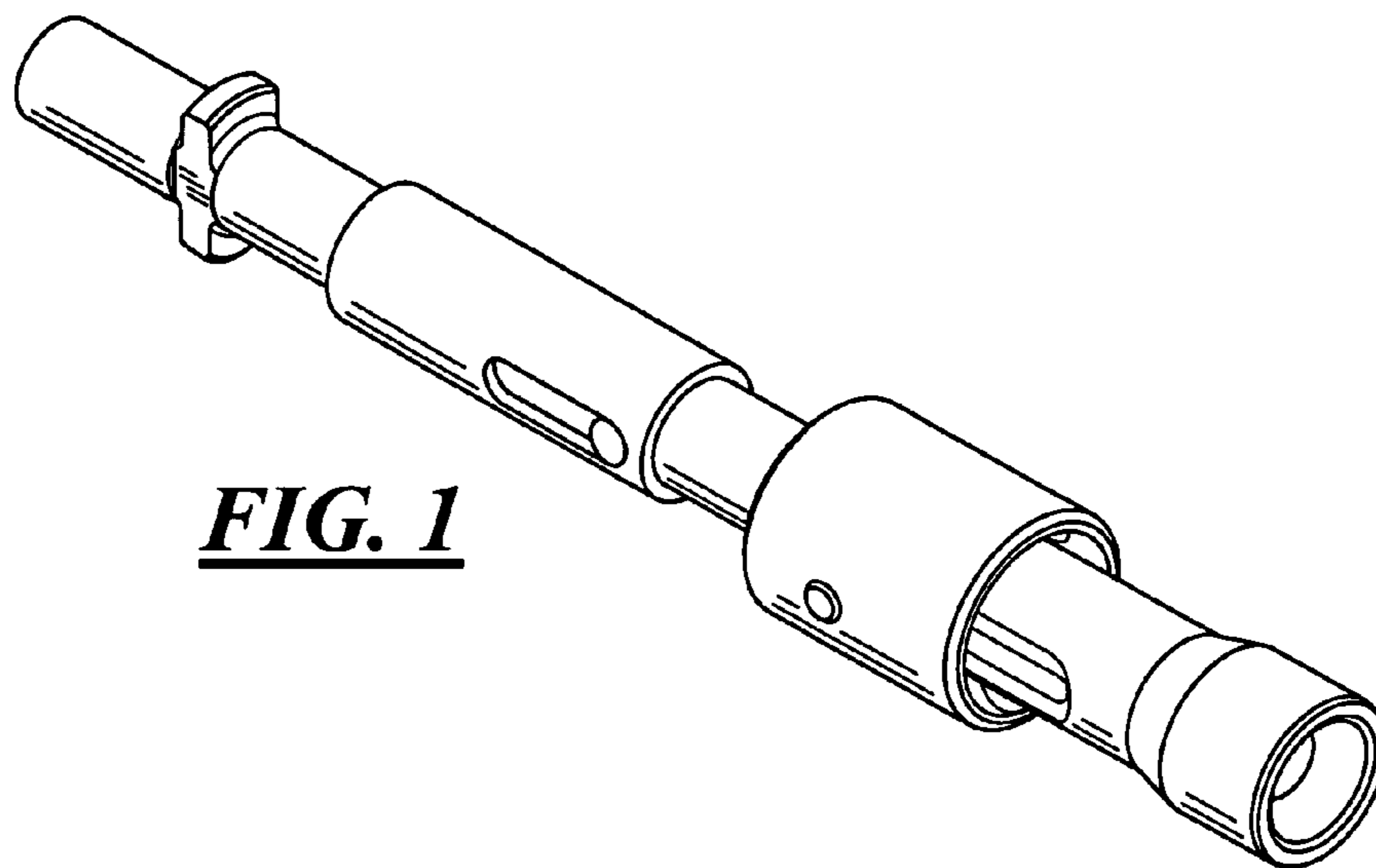


FIG. 1

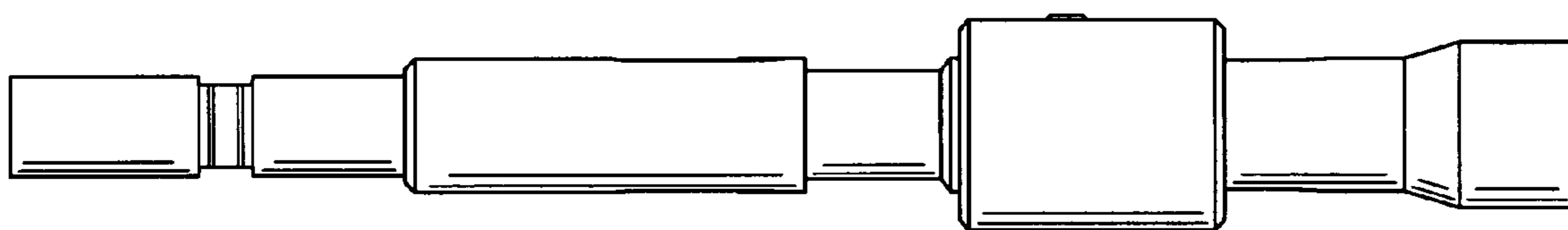


FIG. 3

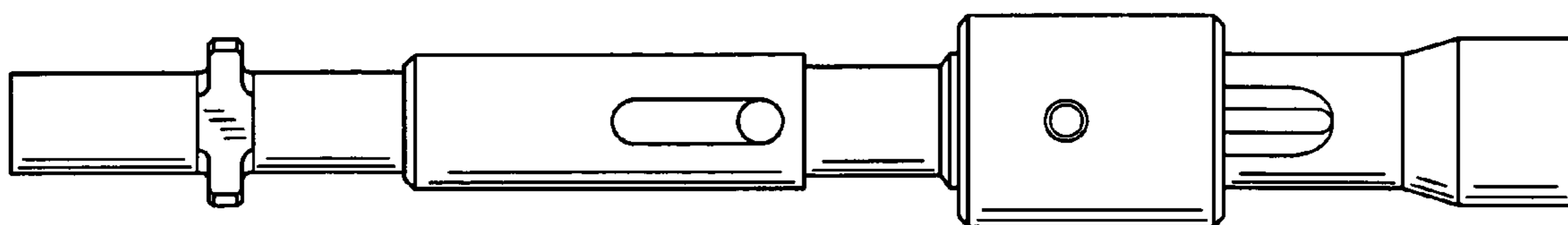


FIG. 2

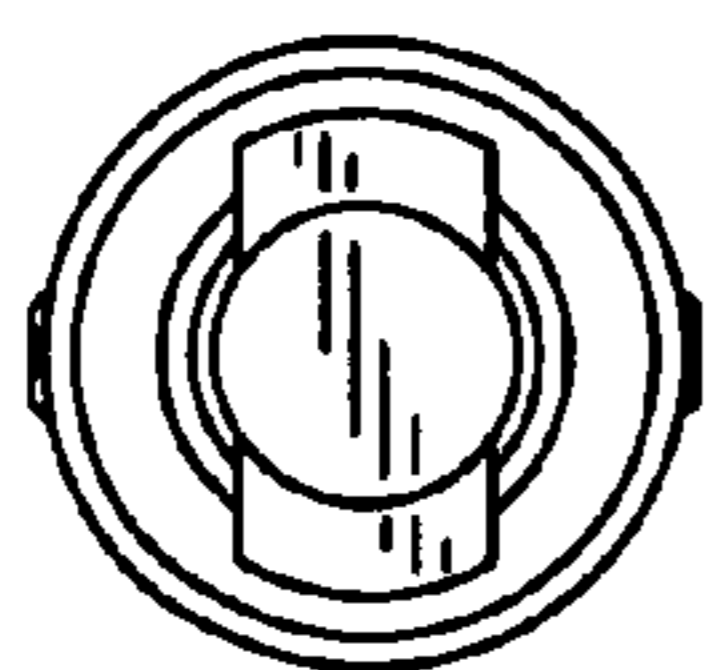


FIG. 4

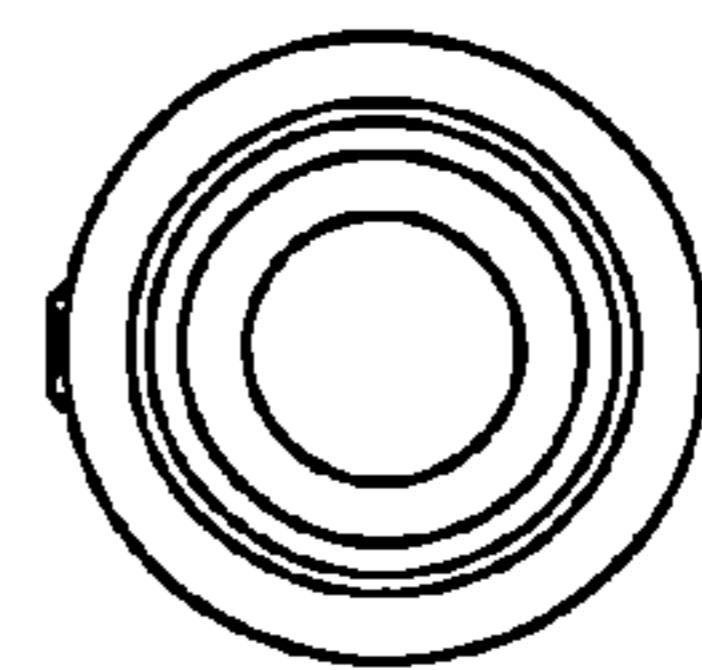


FIG. 5