



US00D656611S

(12) **United States Design Patent**
Garcia et al.

(10) **Patent No.:** **US D656,611 S**
(45) **Date of Patent:** **** Mar. 27, 2012**

- (54) **DRIVER BIT FOR A SURGICAL SCREW**
- (75) Inventors: **Saddy R. Garcia**, Saint Augustine, FL (US); **Bradley Winterroth**, Wesley Chapel, FL (US); **Ryan Nicholas Luby**, Atlantic Beach, FL (US); **Larry Miller**, Ponte Vedra Beach, FL (US); **Christopher C. Dyer**, Overland Park, KS (US); **Benjamin J. Gray**, Kansas City, MO (US); **Allan J. Meredith**, Overland Park, KS (US)
- (73) Assignee: **Biomet Microfixation, LLC**, Jacksonville, FL (US)
- (**) Term: **14 Years**
- (21) Appl. No.: **29/373,886**
- (22) Filed: **Jun. 3, 2011**
- (51) **LOC (9) Cl.** **24-02**
- (52) **U.S. Cl.** **D24/145; D15/139**
- (58) **Field of Classification Search** D24/133, D24/146-147, 140, 149, 152, 155, 145; D8/16, D8/24, 70, 86, 387; D15/139; 81/52, 437, 81/439, 436, 459; 408/153, 214, 220, 225, 408/227; 433/165, 158, 161; 606/96, 98, 606/104, 167, 176, 65, 80, 86 R
See application file for complete search history.

5,645,547	A *	7/1997	Coleman	606/80
D428,027	S *	7/2000	Kouvelis	D15/139
D430,584	S *	9/2000	Kouvelis	D15/139
6,197,031	B1 *	3/2001	Barrette et al.	606/80
D589,319	S *	3/2009	Peters	D8/70
D599,906	S *	9/2009	Petersen	D24/146
7,766,920	B2 *	8/2010	Cicccone et al.	606/104
2002/0049447	A1 *	4/2002	Li	606/73
2008/0215060	A1	9/2008	Garcia et al.		

OTHER PUBLICATIONS

Cranial Drill Bit (attachments), copyright 2011, 1 page, [on line], [retrieved on Nov. 1, 2011]. Retrieved from the Internet <URL: <http://shbojin.en.made-in-china.com/product/aegEPBVrHlhy/China-Cranial-Drill-Bit-Atta...>>.*

Surgical Stainless Steel Cranial Drill Bit, copyright 1999-2010, 2 pages, [on line], [retrieved on Nov. 1, 2011]. Retrieved from the Internet <URL: <http://www.alibaba.com/product-gs/463232708/Surgical-Stainless-Steel-Cranial-Drill-Bi...>>.*

U.S. Appl. No. 29/373,890, Garcia et al., filed Jun. 3, 2011.
U.S. Appl. No. 29/373,891, Garcia et al., filed Jun. 3, 2011.
U.S. Appl. No. 13/134,253, Garcia et al., filed Jun. 2, 2011.

* cited by examiner

Primary Examiner — Wan Laymon
(74) *Attorney, Agent, or Firm* — Warn Partners, P.C.; David L. Ahlersmeyer

(57) **CLAIM**
The ornamental design for a driver bit for a surgical screw, as shown and described.

(56) **References Cited**

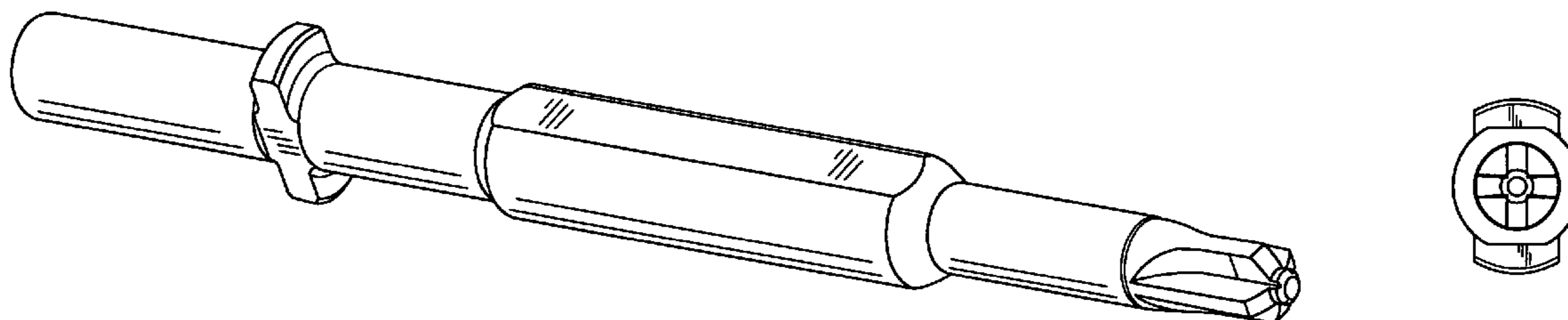
U.S. PATENT DOCUMENTS

3,726,014	A *	4/1973	Weissman	433/165
4,205,444	A *	6/1980	Weissman	433/165
4,830,000	A *	5/1989	Shutt	D24/146
4,844,064	A *	7/1989	Thimsen et al.	D24/147
D345,794	S *	4/1994	Hood et al.	D24/146
5,354,299	A *	10/1994	Coleman	606/916
D359,216	S *	6/1995	Kozak	D8/70
D363,294	S *	10/1995	Ellis	D15/139

DESCRIPTION

FIG. 1 is a perspective view of a driver bit for a surgical screw showing our design;
FIG. 2 is a side view thereof;
FIG. 3 is a top view thereof;
FIG. 4 is a rear view thereof; and,
FIG. 5 is a front view thereof.

1 Claim, 1 Drawing Sheet



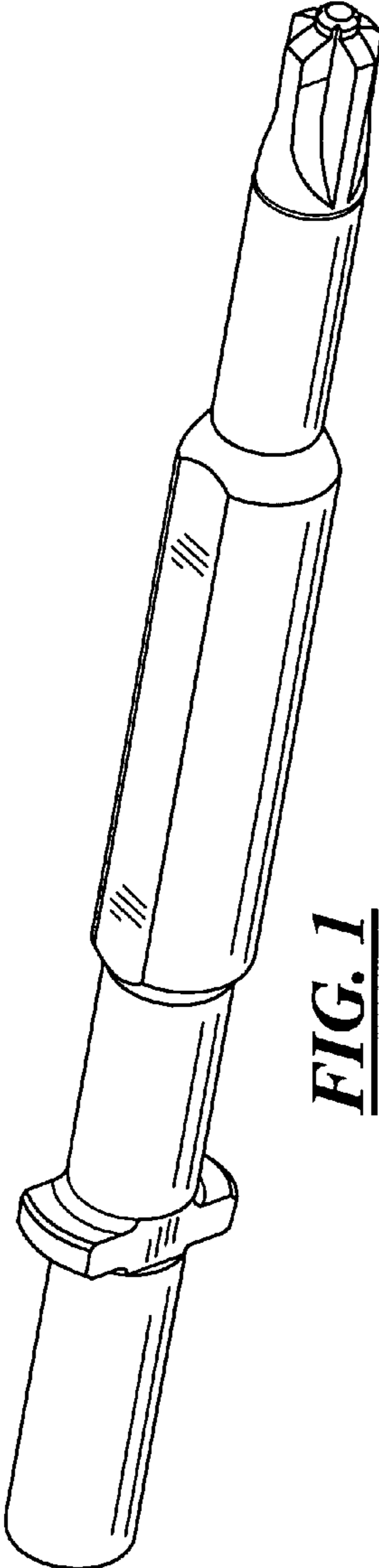


FIG. 1

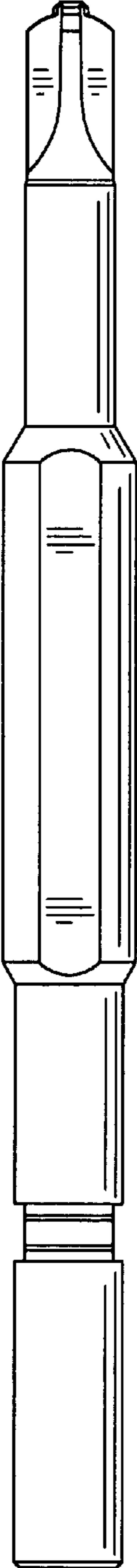


FIG. 3

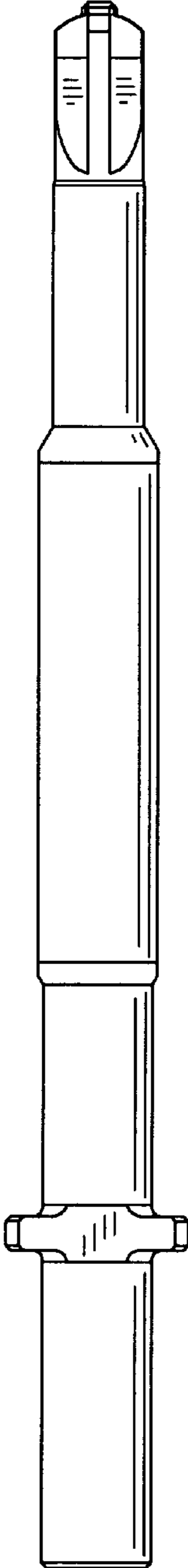


FIG. 2

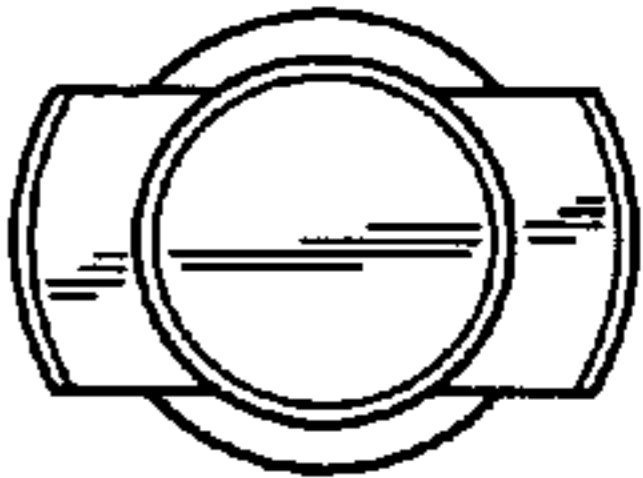


FIG. 4

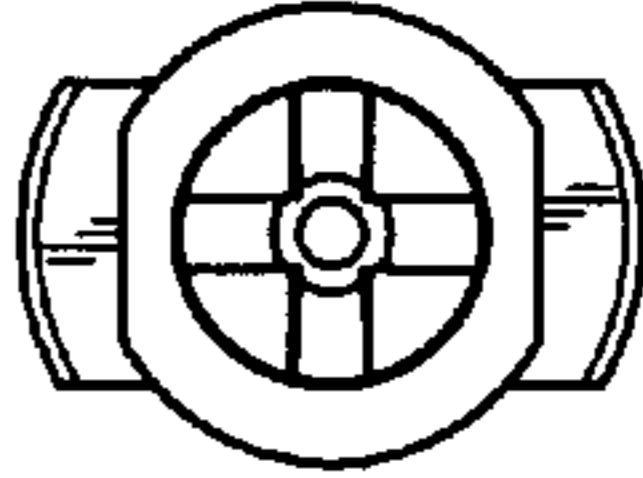


FIG. 5