



US00D656610S

(12) **United States Design Patent**
Kleiner

(10) **Patent No.:** **US D656,610 S**
(45) **Date of Patent:** **** Mar. 27, 2012**

- (54) **SPINAL DISTRACTION INSTRUMENT**
- (76) Inventor: **Jeffrey B. Kleiner**, Denver, CO (US)
- (**) Term: **14 Years**
- (21) Appl. No.: **29/393,737**
- (22) Filed: **Jun. 8, 2011**

- 5,290,295 A 3/1994 Querals et al.
- 5,311,640 A 5/1994 Holland
- 5,312,407 A 5/1994 Carter
- 5,312,417 A 5/1994 Wilk
- 5,324,307 A 6/1994 Jarrett et al.
- 5,329,834 A 7/1994 Wong
- 5,333,812 A 8/1994 Sato
- 5,354,292 A 10/1994 Braeuer et al.
- 5,395,372 A 3/1995 Holt et al.
- 5,431,658 A 7/1995 Moskovich
- D364,462 S 11/1995 Michelson
- 5,520,611 A 5/1996 Rao et al.

(Continued)

Related U.S. Application Data

- (63) Continuation-in-part of application No. 12/367,487, filed on Feb. 6, 2009, now Pat. No. 8,088,163.

- (51) **LOC (9) Cl.** **24-02**
 - (52) **U.S. Cl.** **D24/133**
 - (58) **Field of Classification Search** D24/133,
D24/145, 146, 147; 606/246, 264, 279, 86 A,
606/86 R; 623/17.11
- See application file for complete search history.

FOREIGN PATENT DOCUMENTS

WO WO 2005/037149 4/2005

OTHER PUBLICATIONS

Ray, C., "Facet Joint Disorders and Back Pain," published on Spine-Health, Dec. 10, 2002, available at www.spine-health.com/conditions/arthritis/facet-joint-disorders-and-back-pain, 1 page.

(Continued)

(56) **References Cited**

U.S. PATENT DOCUMENTS

- 3,697,011 A 10/1972 Christensen et al.
- 3,741,496 A 6/1973 Beller
- 3,836,092 A 9/1974 Hull
- 4,039,156 A 8/1977 Abraham
- 4,041,939 A 8/1977 Hall
- 4,047,524 A 9/1977 Hall
- 4,430,062 A 2/1984 Henrichsen et al.
- 4,462,402 A 7/1984 Burgio et al.
- 4,467,478 A 8/1984 Jurgutis
- 4,501,269 A 2/1985 Bagby
- 4,522,270 A 6/1985 Kishi
- 4,570,623 A 2/1986 Ellison et al.
- 4,580,978 A 4/1986 Motola et al.
- 4,592,346 A 6/1986 Jurgutis
- 4,877,399 A 10/1989 Frank et al.
- 4,991,570 A 2/1991 Bullard
- 5,037,422 A 8/1991 Hayhurst
- 5,053,038 A 10/1991 Sheehan
- 5,055,104 A 10/1991 Ray
- 5,058,823 A 10/1991 Emura et al.
- 5,282,744 A 2/1994 Meyer

Primary Examiner — Bridget L Eland

(74) *Attorney, Agent, or Firm* — Sheridan Ross P.C.

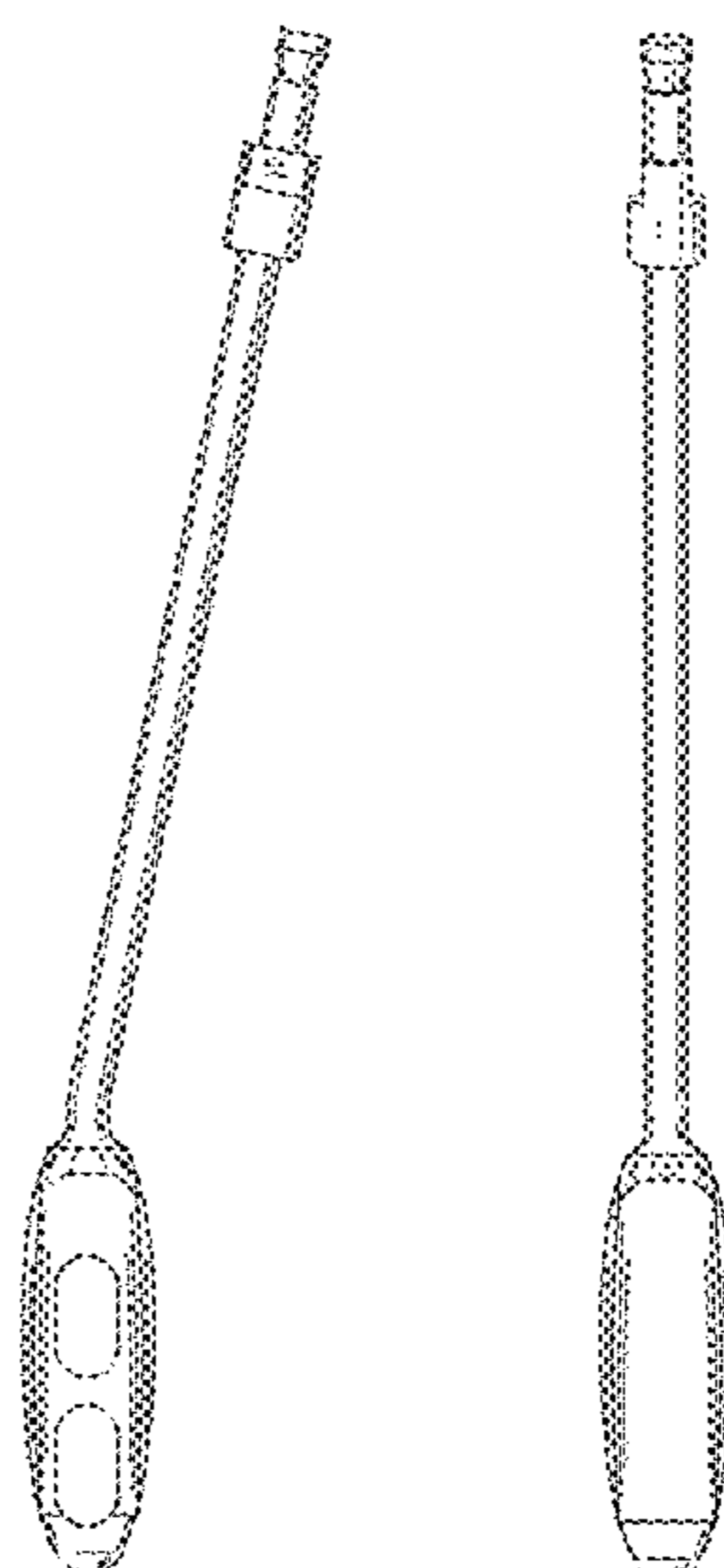
(57) **CLAIM**

The ornamental design for a spinal distraction instrument, as shown and described.

DESCRIPTION

FIG. 1 is a front perspective view of a spinal distraction instrument showing my new design; FIG. 2 is a rear perspective view thereof; FIG. 3 is a front elevation view thereof; FIG. 4 is a rear elevation view thereof; FIG. 5 is a right elevation view thereof; FIG. 6 is a left elevation view thereof; FIG. 7 is a top plan view thereof; and, FIG. 8 is a bottom plan view thereof.

1 Claim, 5 Drawing Sheets



US D656,610 S

U.S. PATENT DOCUMENTS							
5,527,312	A	6/1996	Ray	6,375,635	B1	4/2002	Moutafis et al.
5,541,191	A	7/1996	Skotnicki et al.	6,436,101	B1	8/2002	Hamada
5,549,607	A	8/1996	Olson et al.	6,451,017	B1	9/2002	Moutafis et al.
5,558,674	A	9/1996	Heggeness et al.	6,454,806	B1	9/2002	Cohen et al.
D374,283	S	10/1996	Michelson	6,467,556	B2	10/2002	Alsrue
5,562,661	A	10/1996	Yoshimi et al.	6,500,206	B1	12/2002	Bryan
5,569,246	A	10/1996	Ojima et al.	6,511,493	B1	1/2003	Moutafis et al.
5,586,989	A	12/1996	Bray	6,520,976	B1	2/2003	Gage
5,601,557	A	2/1997	Hayhurst	6,524,318	B1	2/2003	Longhini et al.
D378,409	S	3/1997	Michelson	6,565,574	B2	5/2003	Michelson
5,611,800	A	3/1997	Davis et al.	6,616,669	B2	9/2003	Ogilvie et al.
5,634,925	A	6/1997	Urbanski	6,620,356	B1	9/2003	Wong et al.
5,653,763	A	8/1997	Errico et al.	6,641,613	B2	11/2003	Sennett
5,662,655	A	9/1997	Laboureau et al.	6,648,915	B2	11/2003	Sazy
5,665,122	A	9/1997	Kambin	6,652,533	B2	11/2003	O'Neil
5,688,285	A	11/1997	Yamada	6,669,710	B2	12/2003	Moutafis et al.
5,697,932	A	12/1997	Smith et al.	6,673,113	B2	1/2004	Ralph et al.
5,704,892	A	1/1998	Adair	6,679,887	B2	1/2004	Nicholson et al.
5,741,253	A	4/1998	Michelson	6,699,288	B2	3/2004	Moret
5,762,629	A	6/1998	Kambin	6,709,438	B2	3/2004	Dixon et al.
5,779,642	A	7/1998	Nightengale	6,719,760	B2	4/2004	Dorchak et al.
5,782,919	A	7/1998	Zdeblick et al.	6,719,795	B1	4/2004	Cornwall et al.
5,797,918	A	8/1998	McGuire et al.	6,730,125	B1	5/2004	Lin
5,836,948	A	11/1998	Zucherman et al.	6,743,257	B2	6/2004	Castro
5,836,958	A	11/1998	Ralph	6,764,491	B2	7/2004	Frey et al.
5,860,977	A	1/1999	Zucherman et al.	6,773,437	B2	8/2004	Ogilvie et al.
5,865,746	A	2/1999	Murugesan et al.	6,800,093	B2	10/2004	Nicholson et al.
5,865,846	A	2/1999	Bryan et al.	6,824,565	B2	11/2004	Muhanna et al.
5,871,462	A	2/1999	Yoder et al.	6,830,574	B2	12/2004	Heckele et al.
5,888,228	A	3/1999	Knothe et al.	6,899,712	B2	5/2005	Moutafis et al.
5,904,689	A	5/1999	Jonjic	6,923,792	B2	8/2005	Staid et al.
5,925,051	A	7/1999	Mikhail	6,929,646	B2	8/2005	Gambale
5,944,658	A	8/1999	Koros et al.	6,942,665	B2	9/2005	Gambale
5,944,686	A	8/1999	Patterson et al.	6,960,182	B2	11/2005	Moutafis et al.
5,947,972	A	9/1999	Gage et al.	6,962,592	B2	11/2005	Gatturna et al.
5,976,146	A	11/1999	Ogawa et al.	6,969,523	B1	11/2005	Mattern et al.
5,989,257	A	11/1999	Tidwell et al.	6,974,480	B2	12/2005	Messerli et al.
5,997,895	A	12/1999	Narotam et al.	7,004,946	B2	2/2006	Parker et al.
6,004,191	A	12/1999	Schur et al.	7,008,431	B2	3/2006	Simonson
6,004,326	A	12/1999	Castro et al.	7,014,640	B2	3/2006	Kemppainen et al.
6,013,028	A	1/2000	Jho et al.	7,025,742	B2	4/2006	Rubenstein et al.
6,019,765	A	2/2000	Thornhill et al.	7,025,769	B1	4/2006	Ferree
6,030,356	A	2/2000	Carlson et al.	7,033,317	B2	4/2006	Pruitt
6,030,388	A	2/2000	Yoshimi et al.	7,041,136	B2	5/2006	Goble et al.
6,030,390	A	2/2000	Mehdizadeh	7,066,961	B2	6/2006	Hichelson
6,030,401	A	2/2000	Marino	7,077,864	B2	7/2006	Byrd, III et al.
6,033,408	A	3/2000	Gage et al.	7,094,257	B2	8/2006	Mujwid et al.
6,045,555	A	4/2000	Smith et al.	7,122,017	B2	10/2006	Moutafis et al.
6,090,143	A	7/2000	Meriwether et al.	7,128,760	B2*	10/2006	Michelson 623/17.15
6,096,080	A	8/2000	Nicholson et al.	7,135,043	B2	11/2006	Nakahara et al.
6,113,602	A	9/2000	Sand	7,182,782	B2	2/2007	Kirschman
6,120,503	A	9/2000	Michelson	7,204,825	B2	4/2007	Cimino et al.
6,136,001	A	10/2000	Michelson	7,207,992	B2	4/2007	Ritland
6,142,998	A	11/2000	Smith et al.	7,211,112	B2	5/2007	Baynham et al.
6,146,420	A	11/2000	McKay	7,214,186	B2	5/2007	Ritland
6,149,096	A	11/2000	Hartley	7,223,292	B2	5/2007	Messerli et al.
6,152,871	A	11/2000	Foley et al.	7,232,463	B2	6/2007	Falahee
6,159,245	A	12/2000	Meriwether et al.	7,238,203	B2	7/2007	Bagga et al.
6,180,085	B1	1/2001	Achilefu	7,255,703	B2	8/2007	Mujwid et al.
6,209,886	B1	4/2001	Estes et al.	7,267,691	B2	9/2007	Keller et al.
6,216,573	B1	4/2001	Moutafis et al.	7,288,093	B2	10/2007	Michelson
6,224,599	B1	5/2001	Baynham et al.	7,337,538	B2	3/2008	Moutafis et al.
6,235,805	B1	5/2001	Chang et al.	7,341,590	B2	3/2008	Ferree
6,238,397	B1	5/2001	Zucherman et al.	7,341,591	B2	3/2008	Grinberg
6,241,733	B1	6/2001	Nicholson et al.	7,357,284	B2	4/2008	Jauvin
6,241,769	B1	6/2001	Nicholson et al.	7,357,804	B2	4/2008	Binder, Jr. et al.
6,245,108	B1	6/2001	Biscup	7,361,178	B2	4/2008	Hearn et al.
6,258,094	B1	7/2001	Nicholson et al.	7,371,239	B2	5/2008	Dec et al.
6,261,293	B1	7/2001	Nicholson et al.	7,377,923	B2	5/2008	Purcell et al.
6,261,295	B1	7/2001	Nicholson et al.	7,387,643	B2	6/2008	Michelson
6,261,296	B1	7/2001	Aebi et al.	7,399,041	B2	7/2008	Prentner et al.
6,290,724	B1	9/2001	Marino	D574,495	S	8/2008	Petersen
6,299,613	B1	10/2001	Ogilvie et al.	7,406,775	B2	8/2008	Funk et al.
6,309,395	B1	10/2001	Smith et al.	7,410,334	B2	8/2008	McGrew
6,325,805	B1	12/2001	Ogilvie et al.	7,410,478	B2	8/2008	Yang
6,328,738	B1	12/2001	Suddaby	7,413,065	B2	8/2008	Gauthier
6,336,928	B1	1/2002	Guerin et al.	7,421,772	B2	9/2008	Gao et al.
6,364,880	B1	4/2002	Michelson	7,429,270	B2	9/2008	Baumgartner et al.
				7,430,945	B2	10/2008	Gauthier et al.

US D656,610 S

7,431,711 B2	10/2008	Moutafis et al.	7,769,422 B2	8/2010	DiSilvestro et al.
7,442,208 B2	10/2008	Mathieu et al.	7,771,143 B2	8/2010	Bharadwaj et al.
7,455,157 B2	11/2008	Kimes et al.	7,771,475 B2	8/2010	Michelson
7,461,803 B2	12/2008	Boerner	7,771,476 B2	8/2010	Justis et al.
7,473,255 B2	1/2009	McGarity et al.	7,771,479 B2	8/2010	Humphreys et al.
7,476,226 B2	1/2009	Weikel et al.	7,776,040 B2	8/2010	Markworth et al.
7,478,577 B1	1/2009	Wheeler	7,776,046 B2	8/2010	Boyd et al.
7,481,766 B2	1/2009	Lee et al.	7,776,047 B2	8/2010	Fanger et al.
7,481,813 B1	1/2009	Purcell	7,776,049 B1	8/2010	Curran et al.
7,485,145 B2	2/2009	Purcell	7,776,075 B2	8/2010	Bruneau et al.
D589,626 S	3/2009	Petersen	7,776,090 B2	8/2010	Winslow et al.
7,501,073 B2	3/2009	Wen et al.	7,776,091 B2	8/2010	Mastrorio et al.
7,503,933 B2	3/2009	Michelson	7,776,094 B2	8/2010	McKinley et al.
7,503,934 B2	3/2009	Eisermann et al.	7,776,095 B2	8/2010	Peterman et al.
7,503,936 B2	3/2009	Trieu	7,776,594 B2	8/2010	Bays et al.
D590,943 S	4/2009	Petersen	7,780,707 B2	8/2010	Johnson et al.
D593,202 S	5/2009	Petersen	7,794,396 B2	9/2010	Gattani et al.
7,531,003 B2	5/2009	Reindel	7,794,501 B2	9/2010	Edie et al.
7,534,270 B2	5/2009	Ball	7,799,034 B2	9/2010	Johnson et al.
7,553,320 B2	6/2009	Molz, IV et al.	7,799,036 B2	9/2010	Davison et al.
7,578,820 B2	8/2009	Moore et al.	7,799,053 B2	9/2010	Haid et al.
7,582,058 B1	9/2009	Miles et al.	7,799,054 B2	9/2010	Kwak et al.
7,582,107 B2	9/2009	Trail et al.	7,799,055 B2	9/2010	Lim
D603,502 S	11/2009	Petersen	7,799,056 B2	9/2010	Sankaran
7,618,423 B1	11/2009	Valentine et al.	7,799,076 B2	9/2010	Sybert et al.
7,625,374 B2	12/2009	Branch et al.	7,799,078 B2	9/2010	Embry et al.
7,632,276 B2	12/2009	Fishbein	7,799,083 B2	9/2010	Smith et al.
7,655,027 B2	2/2010	Michelson	7,806,901 B2	10/2010	Stad et al.
7,658,766 B2	2/2010	Melkent et al.	7,811,327 B2	10/2010	Hansell et al.
7,674,297 B2	3/2010	Falahee	7,811,329 B2	10/2010	Ankney et al.
7,677,418 B2	3/2010	Henniges et al.	7,815,681 B2	10/2010	Ferguson
7,686,805 B2	3/2010	Michelson	7,819,801 B2	10/2010	Miles et al.
7,691,133 B2	4/2010	Partin et al.	D627,460 S *	11/2010	Horton D24/133
7,693,562 B2	4/2010	Marino et al.	7,824,328 B2	11/2010	Gattani et al.
7,708,761 B2	5/2010	Petersen	7,824,332 B2	11/2010	Fakhrai
7,717,685 B2	5/2010	Moutafis et al.	7,824,410 B2	11/2010	Simonson et al.
7,722,530 B2	5/2010	Davison	7,828,804 B2	11/2010	Li et al.
7,722,613 B2	5/2010	Sutterlin et al.	7,828,845 B2	11/2010	Estes et al.
7,728,868 B2	6/2010	Razzaque et al.	7,828,849 B2	11/2010	Lim
7,730,563 B1	6/2010	Sklar et al.	7,837,713 B2	11/2010	Petersen
7,734,327 B2	6/2010	Colquhoun	7,837,732 B2	11/2010	Zucherman et al.
7,740,634 B2	6/2010	Orbay et al.	D629,896 S *	12/2010	Horton D24/133
7,740,661 B2	6/2010	Baratz et al.	7,846,210 B2	12/2010	Perez-Cruet et al.
7,744,555 B2	6/2010	DiMauro et al.	7,850,733 B2	12/2010	Baynham et al.
7,744,637 B2	6/2010	Johnson et al.	7,850,735 B2	12/2010	Eisermann et al.
7,744,973 B2	6/2010	Schoenle et al.	7,850,736 B2	12/2010	Heinz
7,749,231 B2	7/2010	Bonvallet et al.	7,905,840 B2	3/2011	Pimenta et al.
7,749,253 B2	7/2010	Zucherman et al.	7,927,361 B2	4/2011	Oliver et al.
7,749,269 B2	7/2010	Peterman et al.	7,935,124 B2	5/2011	Frey et al.
7,749,273 B2	7/2010	Cauthen et al.	7,951,107 B2	5/2011	Staid et al.
7,749,274 B2	7/2010	Razian	D642,268 S *	7/2011	Qureshi D24/155
7,749,276 B2	7/2010	Fitz	7,985,256 B2	7/2011	Grotz et al.
7,749,279 B2	7/2010	Twomey et al.	8,088,163 B1 *	1/2012	Kleiner 623/17.11
7,751,865 B2	7/2010	Jascob et al.	2003/0083748 A1	5/2003	Lee et al.
7,753,911 B2	7/2010	Ray et al.	2004/0024466 A1	2/2004	Heerklotz et al.
7,753,914 B2	7/2010	Ruhling et al.	2004/0087956 A1	5/2004	Weikel et al.
7,753,938 B2	7/2010	Aschmann et al.	2004/0133217 A1 *	7/2004	Watschke 606/148
7,753,940 B2	7/2010	Veldman et al.	2004/0143330 A1	7/2004	Sazy
7,753,962 B2	7/2010	Melder	2004/0153158 A1	8/2004	Errico et al.
7,758,501 B2	7/2010	Frasier et al.	2004/0176853 A1	9/2004	Sennett et al.
7,758,616 B2	7/2010	LeHuec et al.	2004/0230211 A1	11/2004	Moutafis et al.
7,758,617 B2	7/2010	Iott et al.	2005/0124993 A1	6/2005	Chappuis
7,758,644 B2	7/2010	Trieu	2005/0124994 A1	6/2005	Berger et al.
7,758,648 B2	7/2010	Castleman et al.	2005/0149035 A1	7/2005	Pimenta et al.
7,763,025 B2	7/2010	Assell et al.	2005/0149192 A1	7/2005	Zucherman et al.
7,763,035 B2	7/2010	Melkent et al.	2005/0159765 A1	7/2005	Moutafis et al.
7,763,055 B2	7/2010	Foley	2005/0165405 A1 *	7/2005	Tsou 606/86
7,763,078 B2	7/2010	Peterman et al.	2005/0216002 A1	9/2005	Simonson
7,763,080 B2	7/2010	Southworth	2005/0216018 A1	9/2005	Sennett
D621,509 S	8/2010	Lovell	2005/0283150 A1	12/2005	Moutafis et al.
D622,395 S	8/2010	Iott et al.	2006/0004367 A1	1/2006	Alamin et al.
D622,843 S *	8/2010	Horton D24/133	2006/0045367 A1	3/2006	Chao et al.
D622,851 S *	8/2010	Horton D24/147	2006/0100304 A1	5/2006	Vresilovic et al.
7,766,914 B2	8/2010	McCormack et al.	2006/0111779 A1	5/2006	Petersen
7,766,918 B2	8/2010	Allard et al.	2006/0111780 A1	5/2006	Petersen
7,766,930 B2	8/2010	DiPoto et al.	2006/0122597 A1 *	6/2006	Jones et al. 606/61
7,766,940 B2	8/2010	Kwak et al.	2006/0155170 A1	7/2006	Hanson et al.
7,766,967 B2	8/2010	Francis	2006/0167461 A1	7/2006	Hawkins et al.
7,766,969 B2	8/2010	Justin et al.	2006/0190081 A1	8/2006	Kraus

2006/0229550	A1	10/2006	Staid et al.	2010/0145391	A1	6/2010	Kleiner
2006/0247650	A1	11/2006	Yerby et al.	2010/0145452	A1	6/2010	Blaylock et al.
2006/0264808	A1	11/2006	Staid et al.	2010/0145461	A1	6/2010	Landry et al.
2007/0003598	A1	1/2007	Trieu	2010/0160923	A1	6/2010	Sand et al.
2007/0073110	A1	3/2007	Larson et al.	2010/0160982	A1	6/2010	Justis et al.
2007/0073294	A1*	3/2007	Chin et al. 606/61	2010/0161062	A1	6/2010	Foley et al.
2007/0172790	A1	7/2007	Doucette, Jr. et al.	2010/0161074	A1	6/2010	Mckay
2007/0208423	A1	9/2007	Messerli et al.	2010/0168755	A1	7/2010	Reiley et al.
2007/0213596	A1	9/2007	Hamada	2010/0168862	A1	7/2010	Edie et al.
2007/0213717	A1	9/2007	Trieu	2010/0174326	A1	7/2010	Selover et al.
2007/0213718	A1	9/2007	Trieu	2010/0191334	A1	7/2010	Keller
2007/0213822	A1	9/2007	Trieu	2010/0191337	A1	7/2010	Zamani et al.
2007/0242869	A1	10/2007	Luo et al.	2010/0198140	A1	8/2010	Lawson
2007/0250166	A1	10/2007	McKay	2010/0199483	A1	8/2010	Justis et al.
2007/0270951	A1	11/2007	Davis et al.	2010/0204798	A1	8/2010	Gerbec et al.
2007/0276406	A1	11/2007	Mahoney et al.	2010/0217398	A1	8/2010	Keller
2007/0288007	A1	12/2007	Burkus et al.	2010/0222784	A1	9/2010	Schwab et al.
2008/0003255	A1	1/2008	Kerr et al.	2010/0222824	A1	9/2010	Simonson
2008/0009929	A1	1/2008	Harris et al.	2010/0228294	A1	9/2010	LeHuec et al.
2008/0033440	A1	2/2008	Moskowitz et al.	2010/0228351	A1	9/2010	Ankney et al.
2008/0058606	A1	3/2008	Miles et al.	2010/0234848	A1	9/2010	Sutterlin et al.
2008/0147191	A1	6/2008	Lopez et al.	2010/0234957	A1	9/2010	Zdeblick et al.
2008/0154375	A1	6/2008	Serhan et al.	2010/0256767	A1	10/2010	Melkent
2008/0154377	A1	6/2008	Voellmicke	2010/0256768	A1	10/2010	Lim et al.
2008/0195058	A1	8/2008	Moutafis et al.	2010/0262241	A1	10/2010	Eisermann et al.
2008/0255564	A1	10/2008	Michelson	2010/0286778	A1	11/2010	Eisermann et al.
2008/0269904	A1	10/2008	Voorhies	2010/0286784	A1	11/2010	Curran et al.
2009/0043312	A1	2/2009	Koullisis	2010/0298938	A1	11/2010	Humphreys et al.
2009/0076440	A1	3/2009	Moutafis et al.	2010/0312103	A1	12/2010	Gorek et al.
2009/0076556	A1	3/2009	McGarity et al.	2010/0312290	A1	12/2010	McKinley et al.
2009/0088765	A1	4/2009	Butler et al.	2010/0312347	A1	12/2010	Arramon et al.
2009/0098184	A1	4/2009	Govil et al.	2011/0071536	A1	3/2011	Kleiner
2009/0124860	A1	5/2009	Miles et al.	2011/0093005	A1*	4/2011	Strokosz et al. 606/205
2009/0125066	A1	5/2009	Kraus et al.	2011/0144755	A1	6/2011	Baynham et al.
2009/0192350	A1	7/2009	Mejia				
2009/0192403	A1	7/2009	Gharib et al.				
2009/0198245	A1	8/2009	Phan				
2009/0198249	A1	8/2009	Ziegler				
2009/0198337	A1	8/2009	Phan				
2009/0198338	A1	8/2009	Phan				
2009/0198339	A1	8/2009	Kleiner et al.				
2009/0203967	A1	8/2009	Branch et al.				
2009/0204148	A1	8/2009	Lenke				
2009/0204159	A1	8/2009	Justis et al.				
2009/0204220	A1	8/2009	Trieu				
2009/0222011	A1	9/2009	Lehuc et al.				
2009/0248163	A1*	10/2009	King et al. 623/17.16				
2009/0259108	A1	10/2009	Miles et al.				
2009/0275995	A1	11/2009	Truckai				
2009/0299477	A1	12/2009	Clayton et al.				
2009/0306692	A1	12/2009	Barrington et al.				
2010/0010367	A1	1/2010	Foley et al.				
2010/0010524	A1	1/2010	Barrington et al.				
2010/0016903	A1	1/2010	Matityahu et al.				
2010/0016972	A1	1/2010	Jansen et al.				
2010/0016973	A1	1/2010	De Villiers et al.				
2010/0030065	A1	2/2010	Farr et al.				
2010/0036226	A9	2/2010	Marino et al.				
2010/0036442	A1	2/2010	Laurysen et al.				
2010/0042221	A1	2/2010	Boyd				
2010/0057208	A1	3/2010	Dryer				
2010/0063516	A1	3/2010	Parmer et al.				
2010/0063554	A1	3/2010	Branch et al.				
2010/0076335	A1	3/2010	Gharib et al.				
2010/0076445	A1	3/2010	Pagano				
2010/0076446	A1	3/2010	Gorek				
2010/0082036	A1	4/2010	Reiley et al.				
2010/0087875	A1	4/2010	McGahan et al.				
2010/0100141	A1	4/2010	De Villiers et al.				
2010/0105986	A1	4/2010	Miles et al.				
2010/0105987	A1	4/2010	Miles et al.				
2010/0121365	A1	5/2010	O'Sullivan et al.				
2010/0121453	A1	5/2010	Peterman				
2010/0125333	A1	5/2010	Zdeblick et al.				
2010/0125338	A1	5/2010	Fitz				
2010/0131020	A1	5/2010	Heinz et al.				
2010/0137690	A1	6/2010	Miles et al.				
2010/0137923	A1	6/2010	Greenhalgh et al.				
2010/0145390	A1	6/2010	McCarthy et al.				

OTHER PUBLICATIONS

Stahler, R., "Spine Surgery for a Cervical Herniated Disc," published on Spine-Health, Jun. 12, 2002, available at www.spine-health.com/conditions/herniated-disc/spine-surgery-a-cervical-herniated-disc, 2 pages.

Stahler, R., "Summary of Cervical Herniated Disc Treatment Options," published on Spine-Health, Jun. 12, 2002, available at www.spine-health.com/conditions/herniated-disc/summary-cervical-herniated-disc-treatment-options, 1 page.

Ullrich, P.F., "Anterior Cervical Spinal Fusion Surgery," published on Spine-Health, Oct. 7, 2005, available at www.spine-health.com/treatment/back-surgery/anterior-cervical-spinal-fusion-surgery, 2 pages.

Ullrich, P.F., "Cervical Spinal Instrumentation," published on Spine-Health, Oct. 7, 2005, available at www.spine-health.com/treatment/back-surgery/cervical-spinal-instrumentation, 2 pages.

Wascher, T.M., "Anterior cervical decompression and spine fusion procedure," published on Spine-Health, Aug. 29, 2001, available at www.spine-health.com/treatment/spinal-fusion/anterior-cervical-decompression-and-spine-fusion-procedure, 2 pages.

"Bak®/Proximity™ (BP®) Cage", Zimmer Website, as early as Oct. 23, 2007, available at <http://www.zimmer.com/z/ctl/op/global/action/1/id/7930/template/MP/prcat/M6/prod/y>, printed on Jun. 8, 2009, 1 page.

"Bak® Vista® Radiolucent Interbody Fusion System", Zimmer Website, as early as Oct. 25, 2005, available at <http://www.zimmerindia.com/z/ctl/op/global/action/1/id/7809/template/MP/prcat/M6/prod/y>, printed on Jun. 8, 2009, pp. 1-2.

"Facet Joint Syndrome," The Cleveland Clinic Foundation, copyright 1995-2008, printed Nov. 19, 2008, available at http://my.clevelandclinic.org/disorders/facet_joint_syndrome/hic_facet_joint_syndrome.aspx, 2 pages.

"Screws, Cages or Both", Spine Universe Website, as early as Aug. 18, 2002, available at <http://www.spineuniverse.com/displayarticle.php/article1363.html>, printed on Jun. 8, 2009, pp. 1-13.

"University of Maryland Spine Program: A Patient's Guide to Anterior Lumbar Interbody Fusion with Intervertebral Cages", University of Maryland Medical Center website, as early as 2003, available at

US D656,610 S

Page 5

http://www.umm.edu/spinecenter/education/anterior_lumbar_interbody_fusion_with_intervertebral_cages.htm, printed on Jun. 8, 2009, pp. 1-4.

“Vertebral column,” from Wikipedia, the free encyclopedia, printed May 19, 2009, retrieved from http://en.wikipedia.org/wiki/Vertebral_column, 6 pages.

“Zygapophysial joint,” from Wikipedia, the free encyclopedia, printed May 19, 2009, retrieved from http://en.wikipedia.org/wiki/Zygapophysial_joint, 2 pages.

Official Action for U.S. Appl. No. 12/367,487, mailed Aug. 3, 2011
10 pages.

* cited by examiner

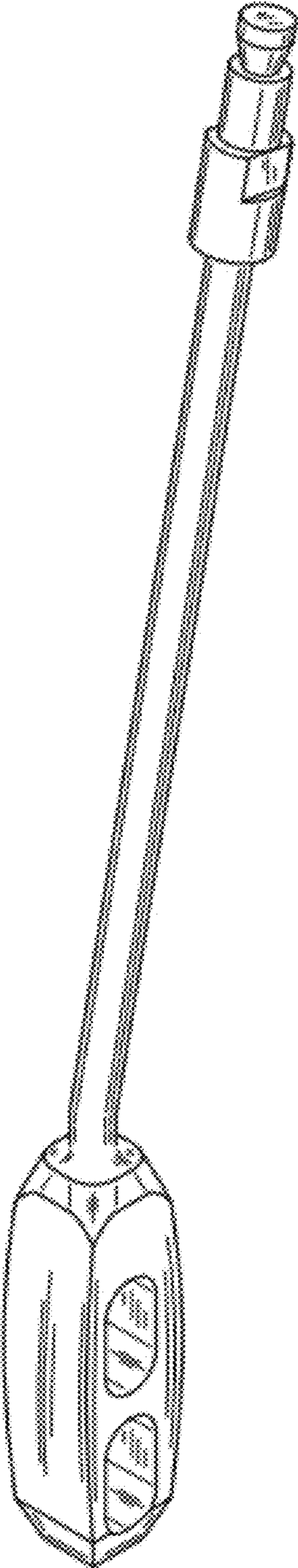


FIG. 1

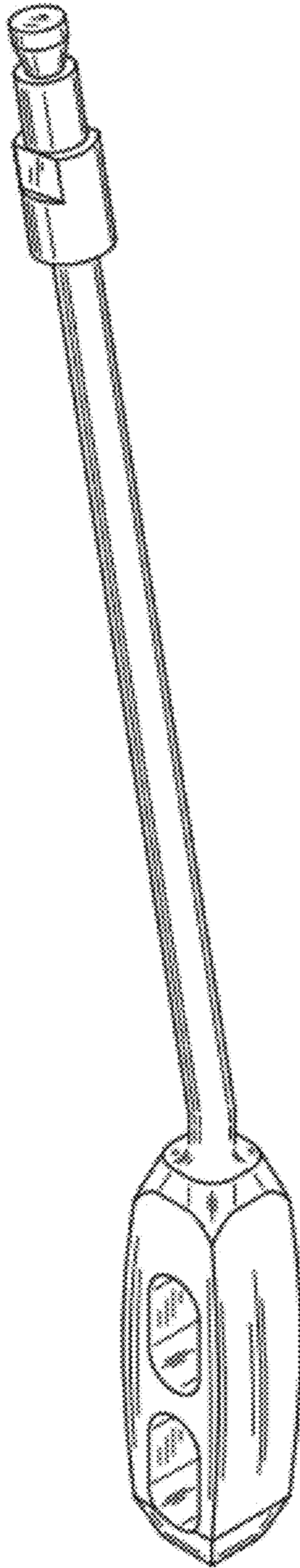


FIG.2

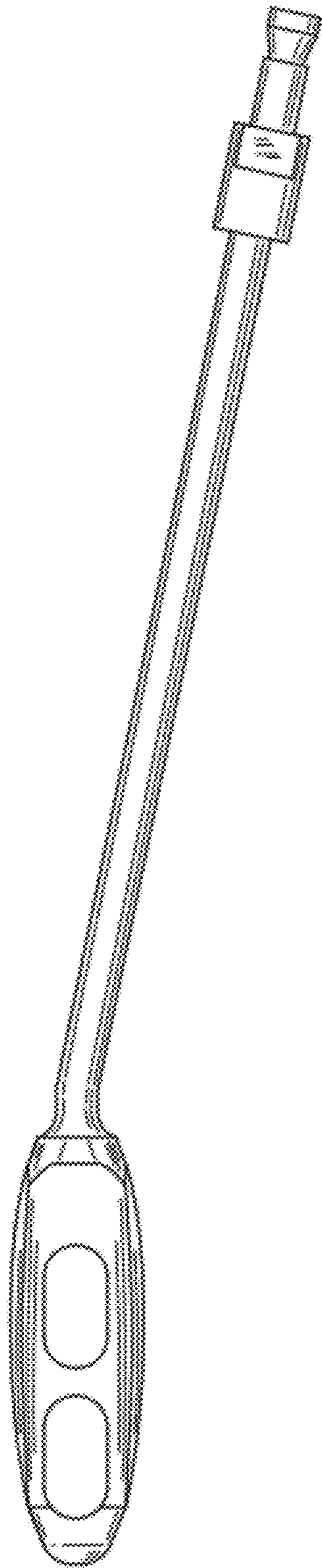


FIG. 3

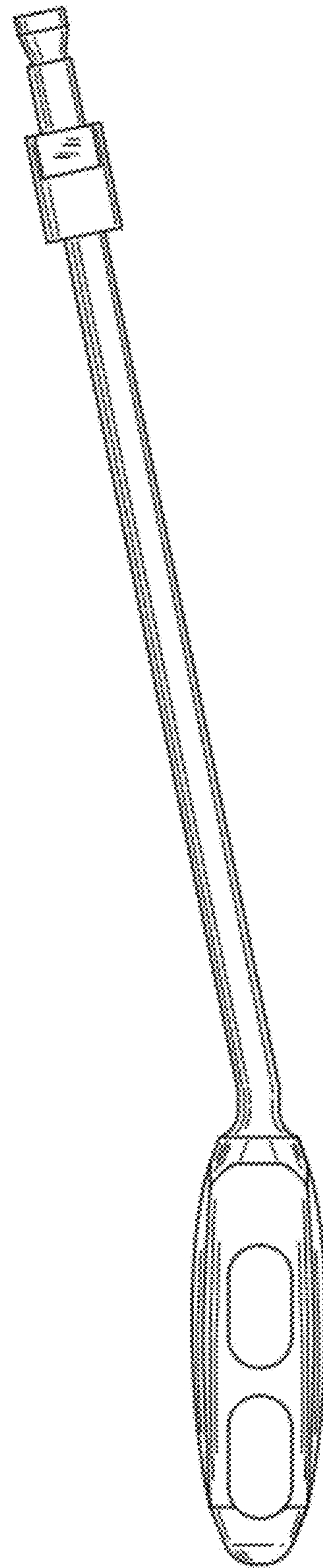


FIG. 4

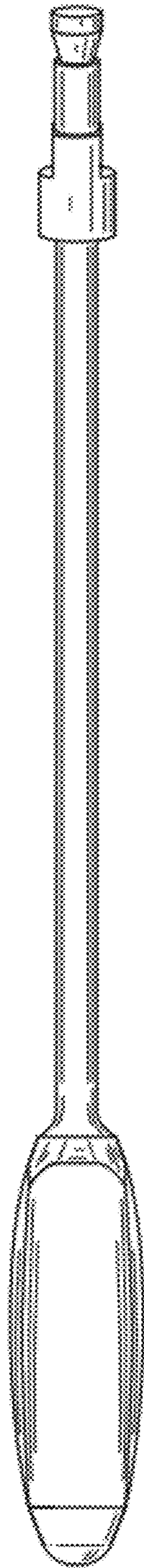


FIG. 5

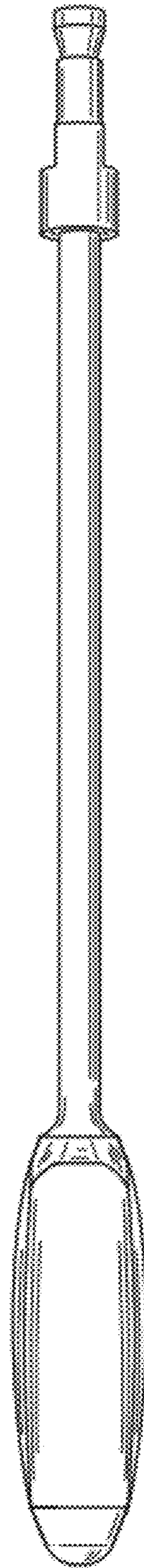


FIG. 6

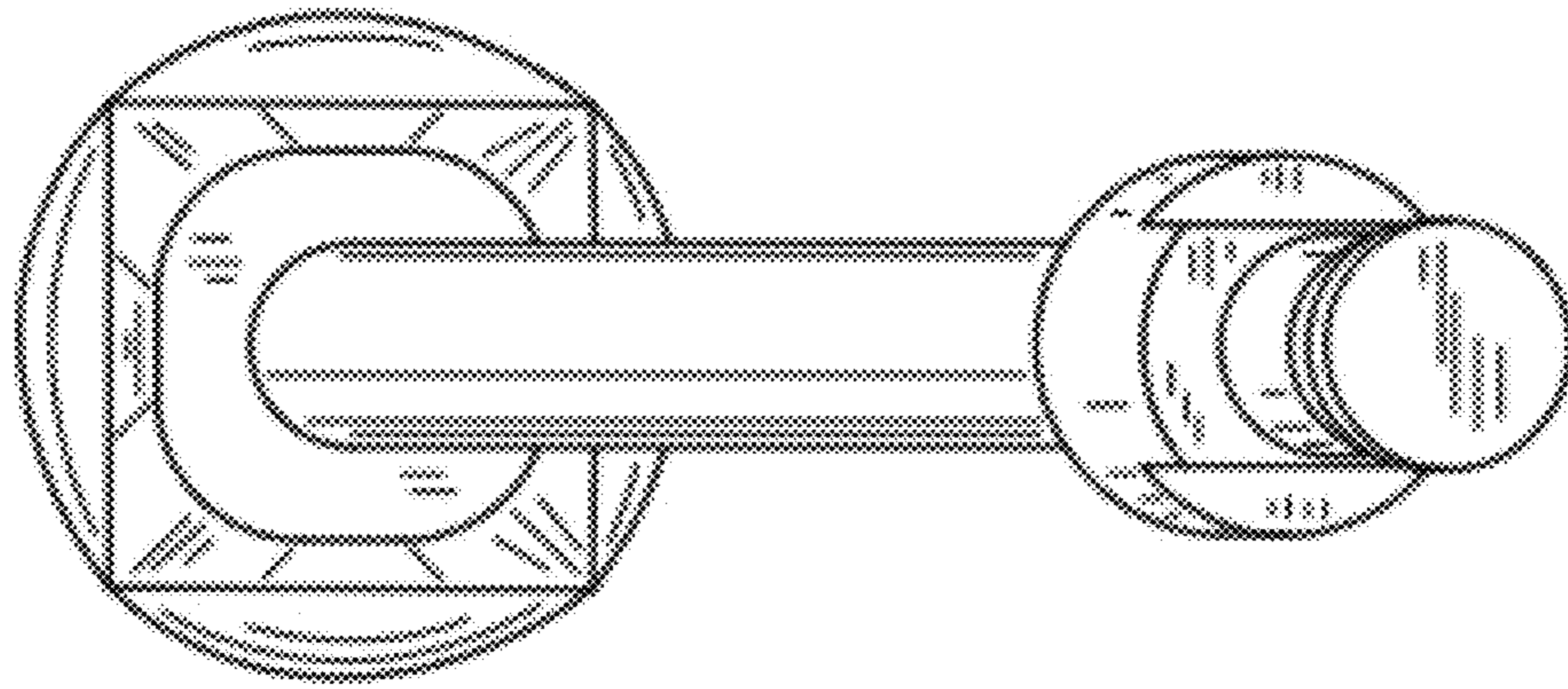


FIG. 7

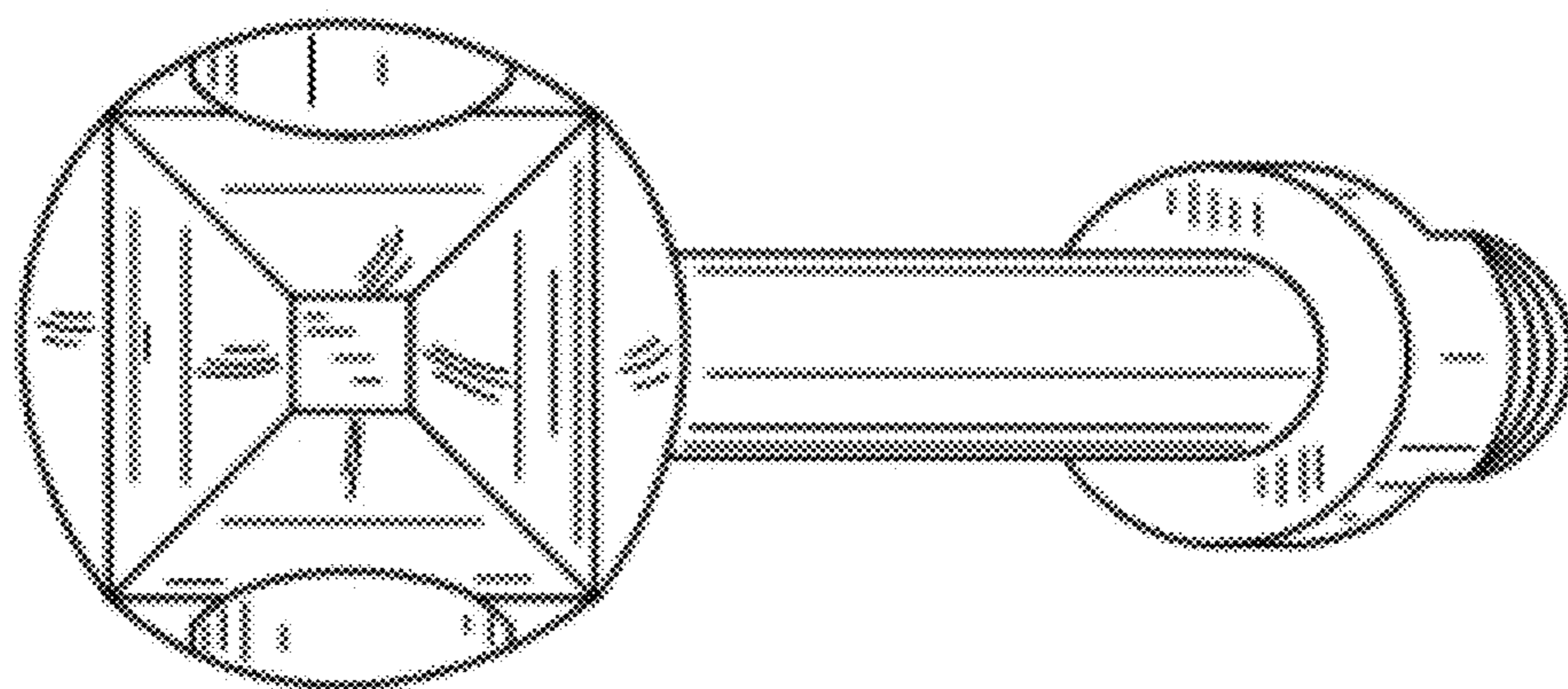


FIG. 8