



US00D656606S

(12) **United States Design Patent**
Palmer-Felgate et al.

(10) **Patent No.:** **US D656,606 S**
(45) **Date of Patent:** **** Mar. 27, 2012**

(54) **INHALER**

(75) Inventors: **John Palmer-Felgate**, Horsham (GB);
Steven Dudley, Horsham (GB); **Shimi Barr**, Randwick (AU)

(73) Assignee: **Novartis AG**, Basel (CH)

(**) Term: **14 Years**

(21) Appl. No.: **29/394,724**

(22) Filed: **Jun. 21, 2011**

D613,396 S * 4/2010 Nakao et al. D24/110
D613,397 S * 4/2010 Nakao et al. D24/110
D646,780 S * 10/2011 Lulla et al. D24/110

* cited by examiner

Primary Examiner — Ian Simmons

Assistant Examiner — Christopher Lee

(74) *Attorney, Agent, or Firm* — Design IP

(57) **CLAIM**

The ornamental design for an inhaler, as shown and described.

Related U.S. Application Data

(63) Continuation of application No. 29/388,051, filed on Mar. 23, 2011.

(51) **LOC (9) Cl.** **29-02**

(52) **U.S. Cl.** **D24/110**

(58) **Field of Classification Search** D24/110;
128/203.15, 203.21, 200.14, 200.23, 205.24
See application file for complete search history.

(56) **References Cited**

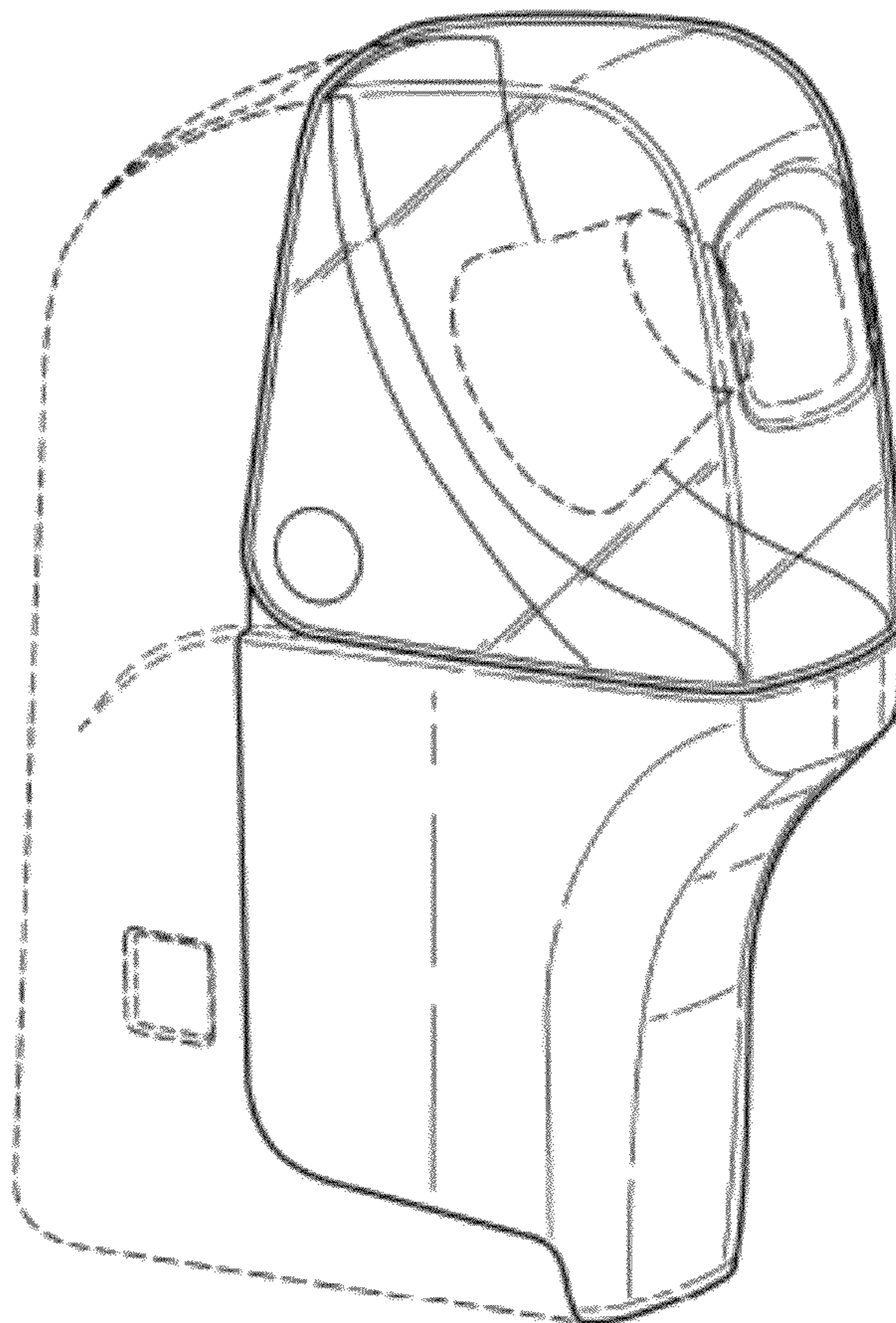
U.S. PATENT DOCUMENTS

D499,802 S * 12/2004 Pinon et al. D24/110
D613,395 S * 4/2010 Nakao et al. D24/110

DESCRIPTION

FIG. 1 is a perspective view of our new design; FIG. 2 is a left side orthographic view thereof; FIG. 3 is a right side orthographic view thereof; FIG. 4 is a front orthographic view thereof; FIG. 5 is a rear orthographic view thereof; FIG. 6 is a top orthographic view thereof; and, FIG. 7 is a bottom orthographic view thereof. The broken lines shown in FIGS. 1-7 are included for the purpose of illustrating environmental elements only and form no part of the claimed design.

1 Claim, 2 Drawing Sheets



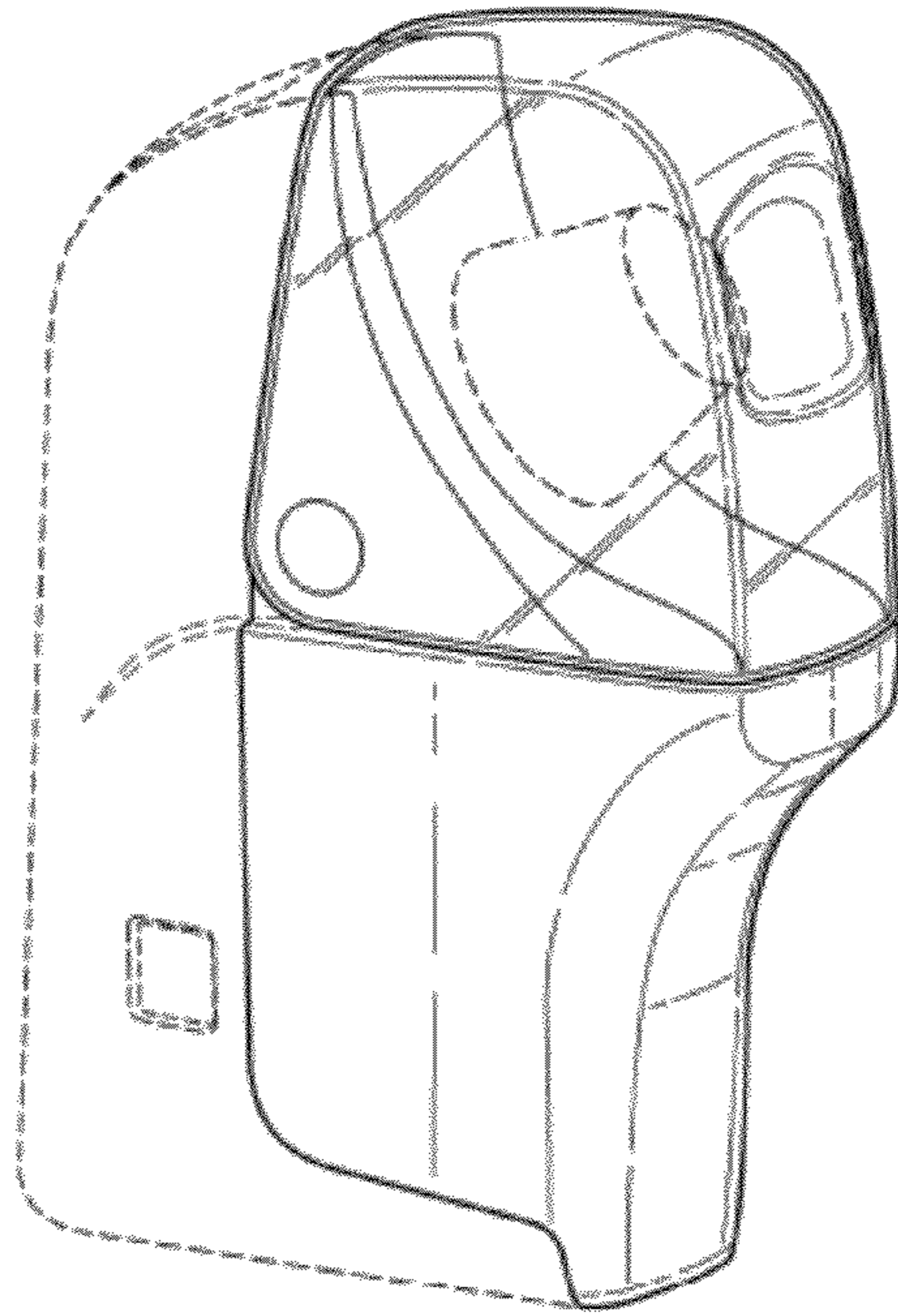


Fig. 1

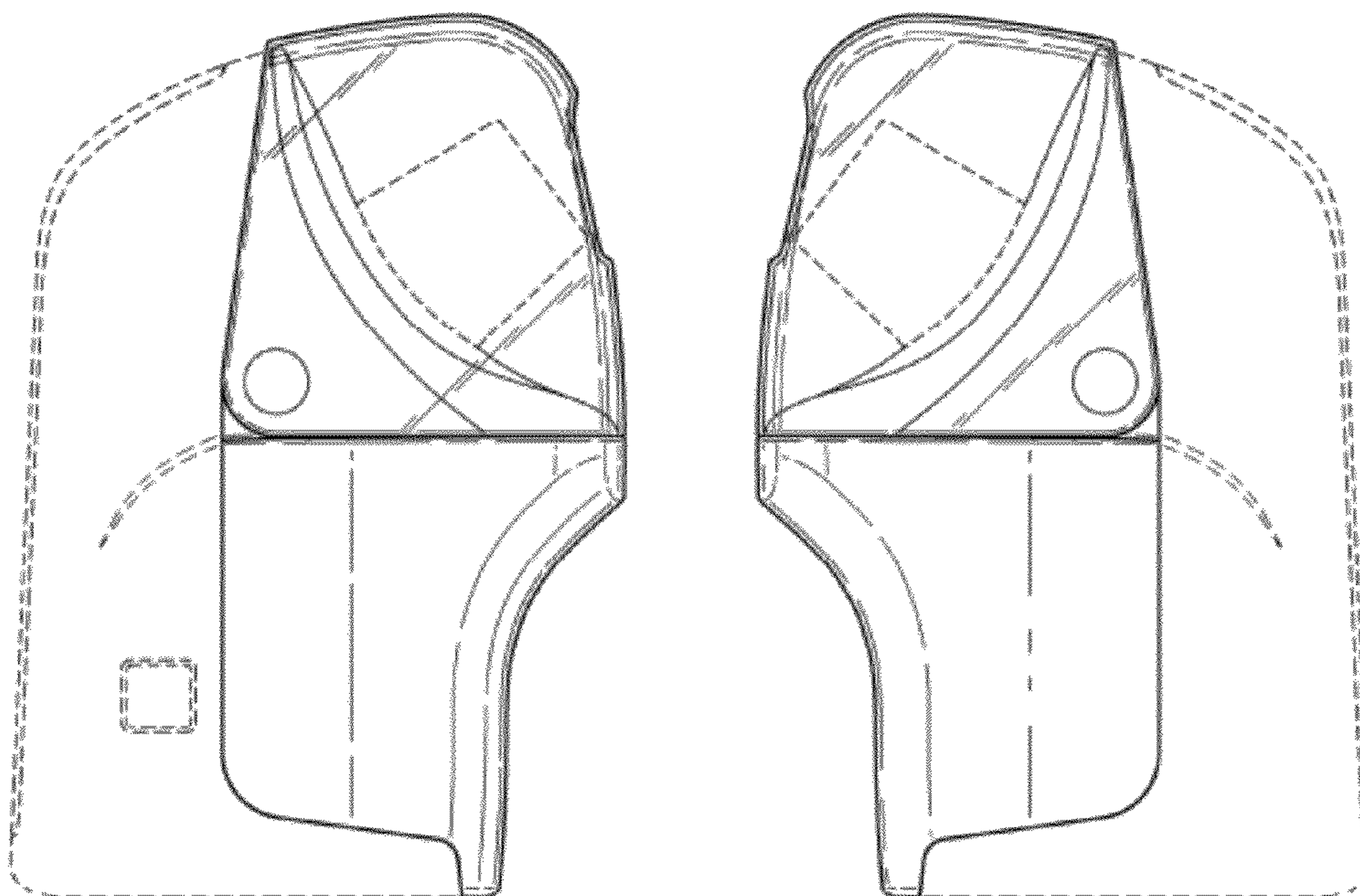


Fig. 2

Fig. 3

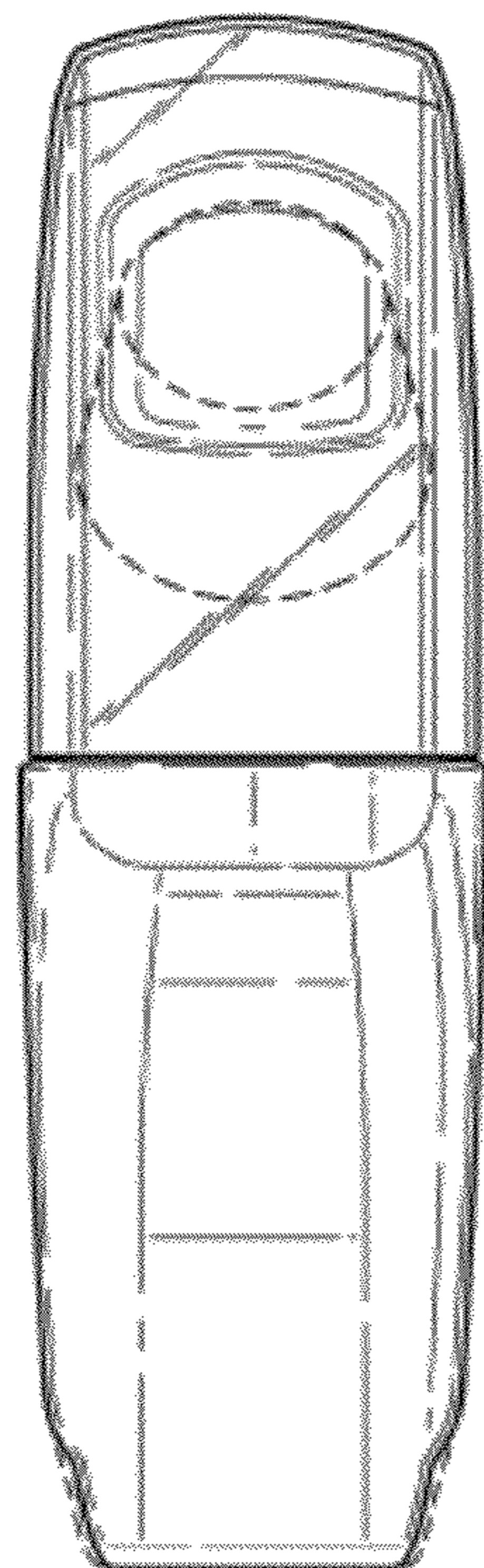


Fig. 4

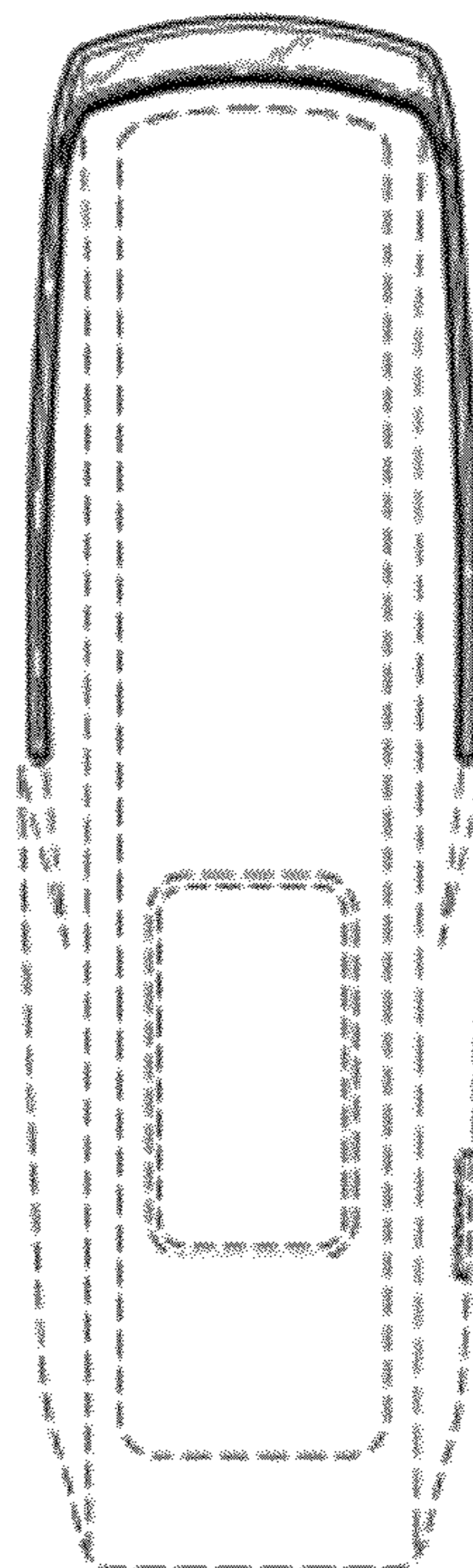


Fig. 5

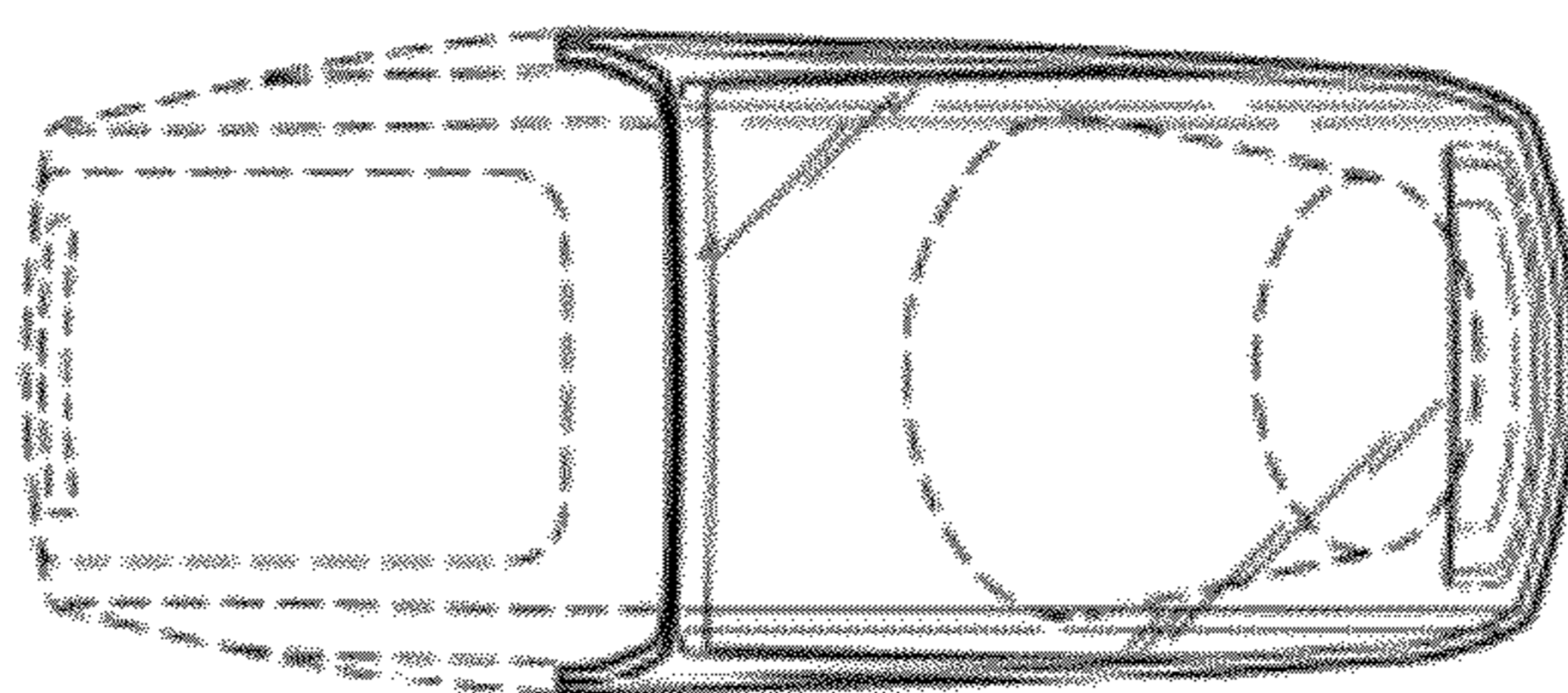


Fig. 6



Fig. 7