



US00D656603S

(12) **United States Design Patent**
Egan et al.

(10) **Patent No.:** **US D656,603 S**
(45) **Date of Patent:** **** Mar. 27, 2012**

(54) **TRIM BEAD FOR A BUILDING WALL**

(75) Inventors: **William F. Egan**, Ponte Vedra Beach, FL
(US); **David A. Smith**, Middleburg, FL
(US)

(73) Assignee: **Construction Research & Technology
GmbH** (DE)

(**) Term: **14 Years**

(21) Appl. No.: **29/400,920**

(22) Filed: **Sep. 2, 2011**

Related U.S. Application Data

(63) Continuation of application No. 29/378,660, filed on
Nov. 8, 2010, now abandoned.

(51) **LOC (9) Cl.** **23-04**

(52) **U.S. Cl.** **D23/393; D25/136; D25/55**

(58) **Field of Classification Search** D25/136,
D25/55; 52/255, 242, 275, 279, 241, 273,
52/798.1, 799.1, 800.1, 287.1, 290, 448,
52/420, 796.12, 796.1, 802.1, 95; D23/393
See application file for complete search history.

(56) **References Cited**

U.S. PATENT DOCUMENTS

4,912,899	A *	4/1990	Plasker et al.	52/241
5,966,891	A *	10/1999	Fagan et al.	52/656.9
D425,999	S *	5/2000	Belk	D25/55
6,145,255	A *	11/2000	Allaster	52/95
6,189,273	B1 *	2/2001	Larson	52/255
6,282,851	B1 *	9/2001	Beaton	52/204.1
D459,007	S	6/2002	Campacci	
6,421,971	B1 *	7/2002	Gembala	52/302.6
6,526,707	B2 *	3/2003	Tucker	52/211

D503,227	S *	3/2005	Rodolfo et al.	D23/393
D503,469	S *	3/2005	Rodolfo et al.	D23/393
2002/0005023	A1 *	1/2002	Ford	52/514

OTHER PUBLICATIONS

DurRock—Track product description Published Jan. 2007, (1 page).

* cited by examiner

Primary Examiner — Doris Clark

(74) *Attorney, Agent, or Firm* — Curatolo Sidoti Co., LPA;
Joseph G. Curatolo; Salvatore A. Sidoti

(57) **CLAIM**

The ornamental design for a trim bead vent for a building
wall, as shown and described.

DESCRIPTION

FIG. 1 is a front view of the trim bead vent for a building
wall. FIG. 2 is a right side view of the trim bead vent for a building
wall.

FIG. 3 is a left side view of the trim bead vent for a building
wall.

FIG. 4 is a rear view of the trim bead vent for a building
wall.

FIG. 5 is a top plan view of the trim bead vent for a building
wall.

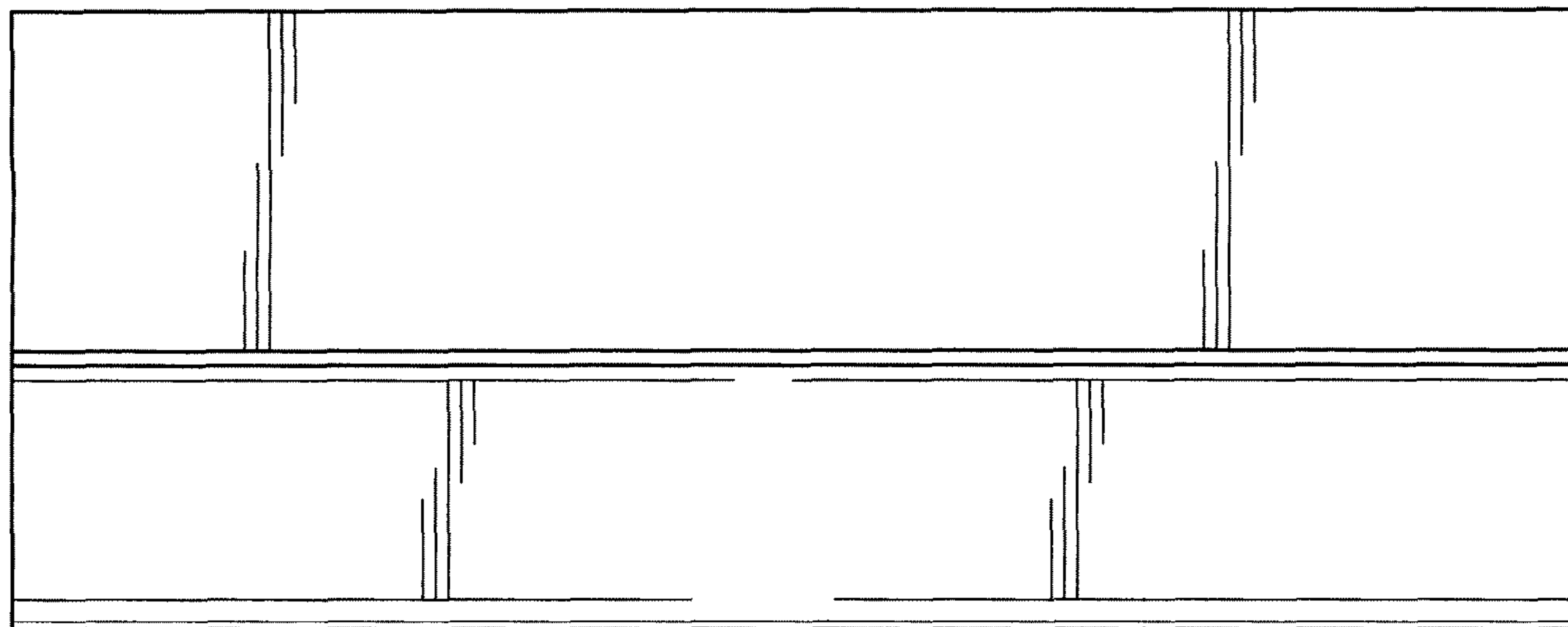
FIG. 6 is a bottom plan view of the trim bead vent for a
building wall.

FIG. 7 is a top perspective view of the trim bead vent for a
building wall; and,

FIG. 8 is a bottom perspective view of the trim bead vent for
a building wall.

The broken lines are for illustrative purposes only and form
no part of the claimed design.

1 Claim, 3 Drawing Sheets



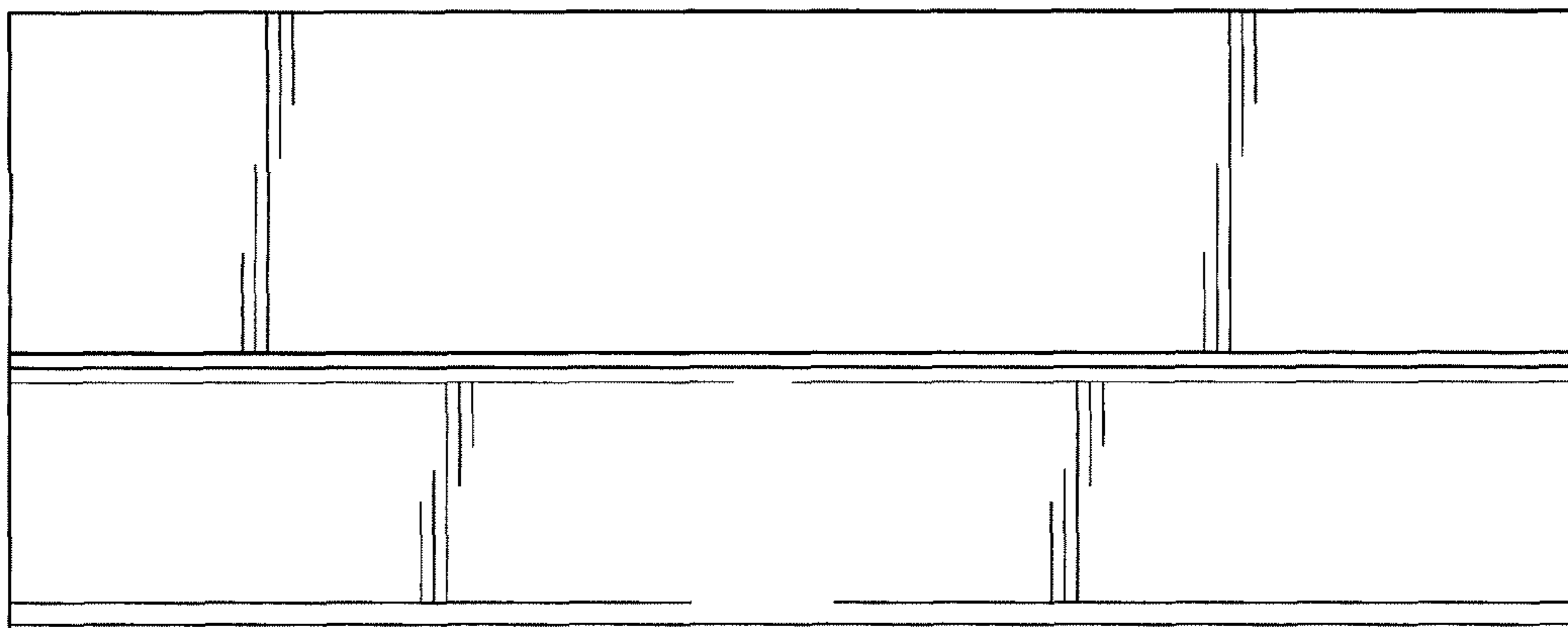


FIG. 1

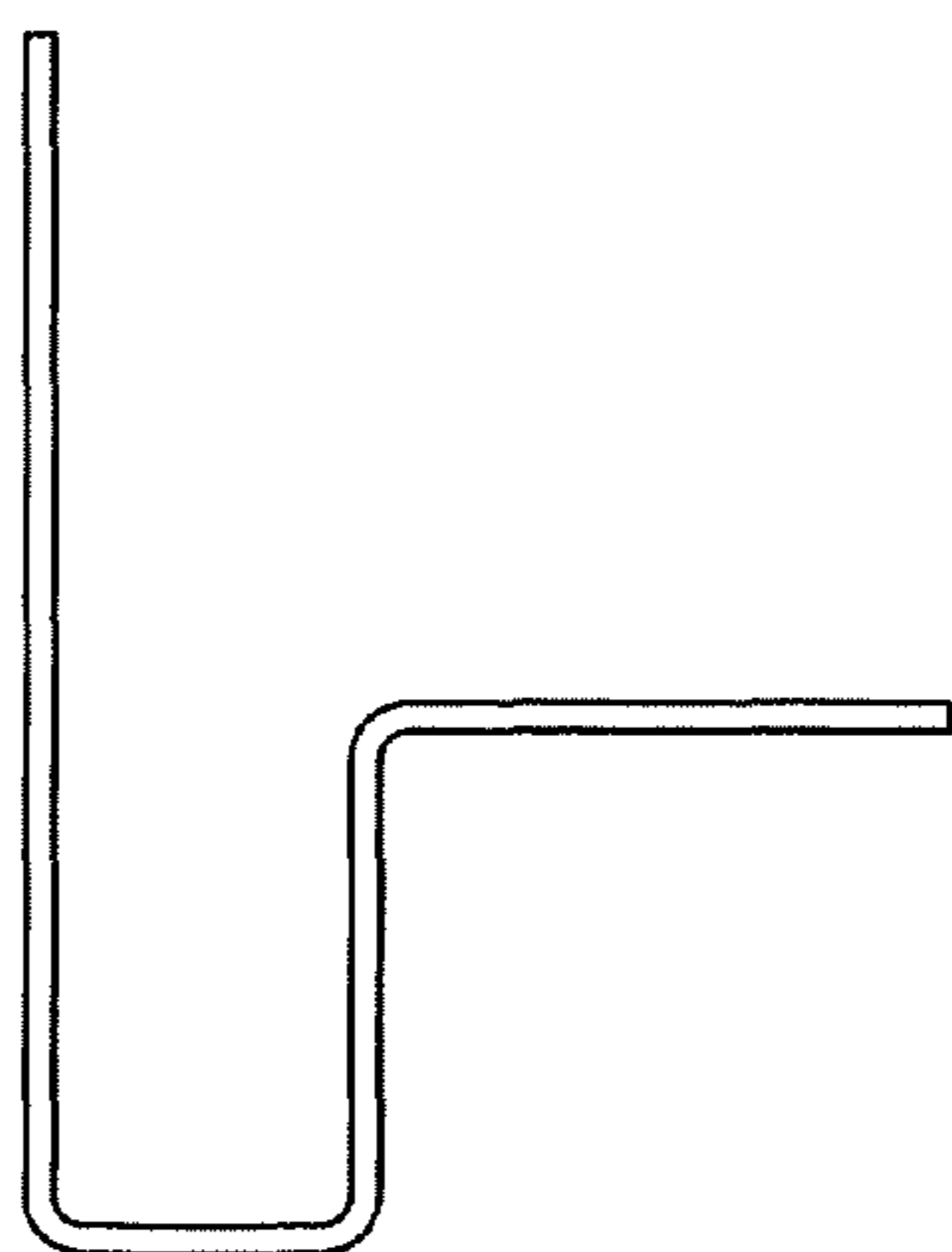


FIG. 2

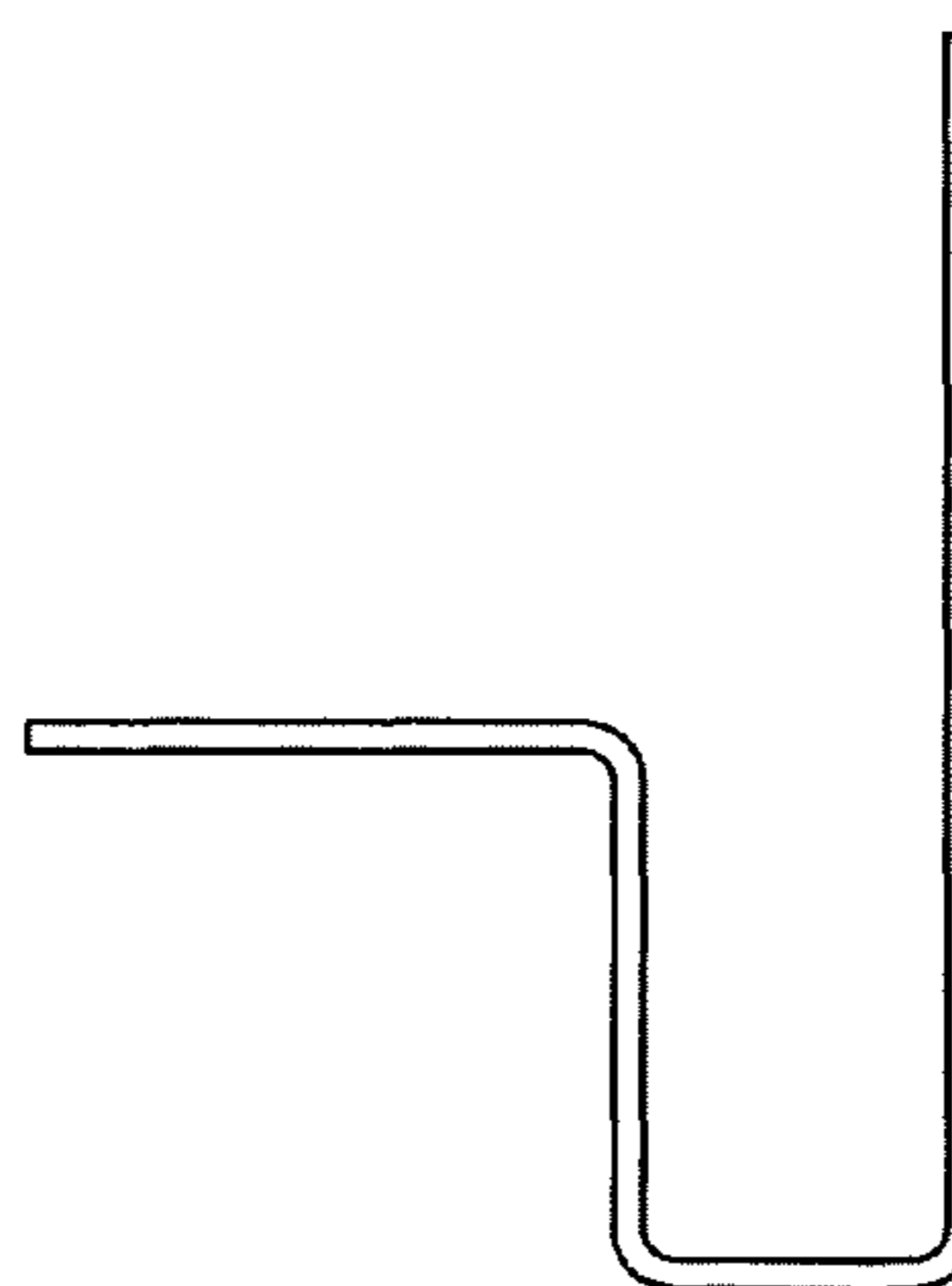


FIG. 3

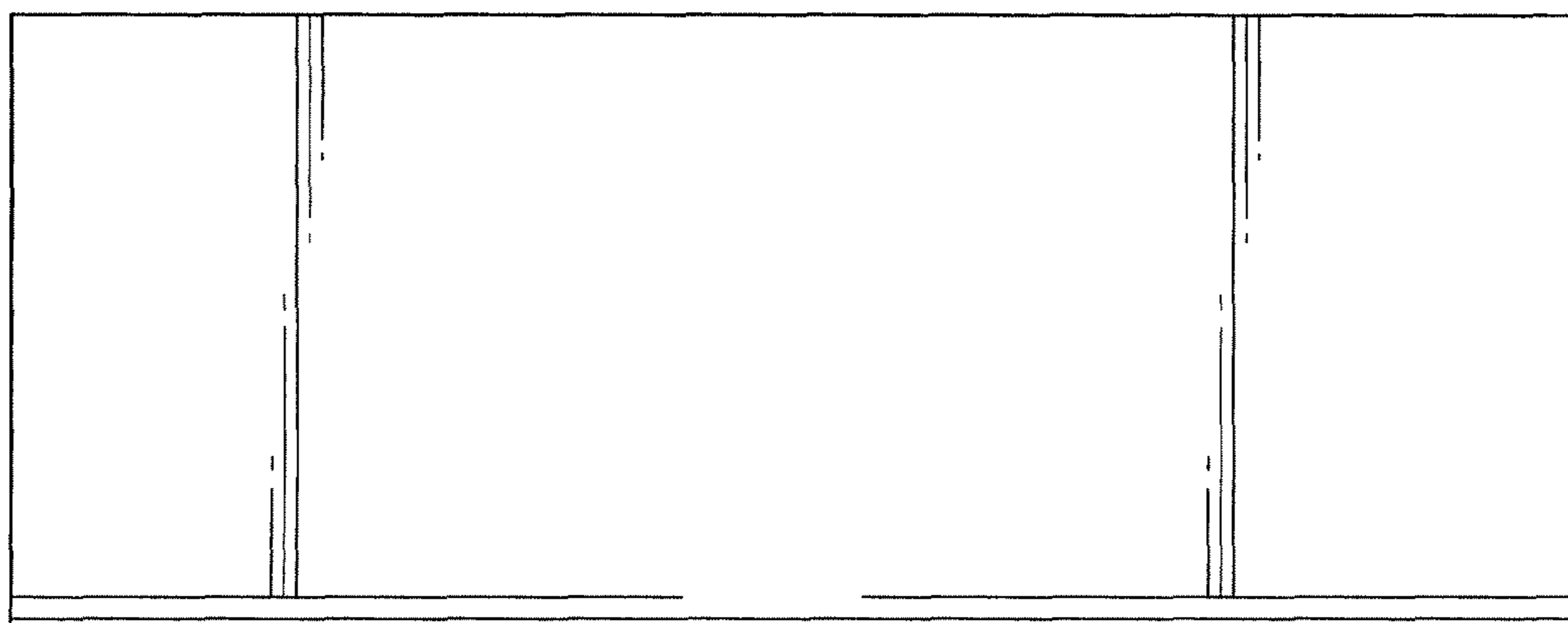


FIG. 4

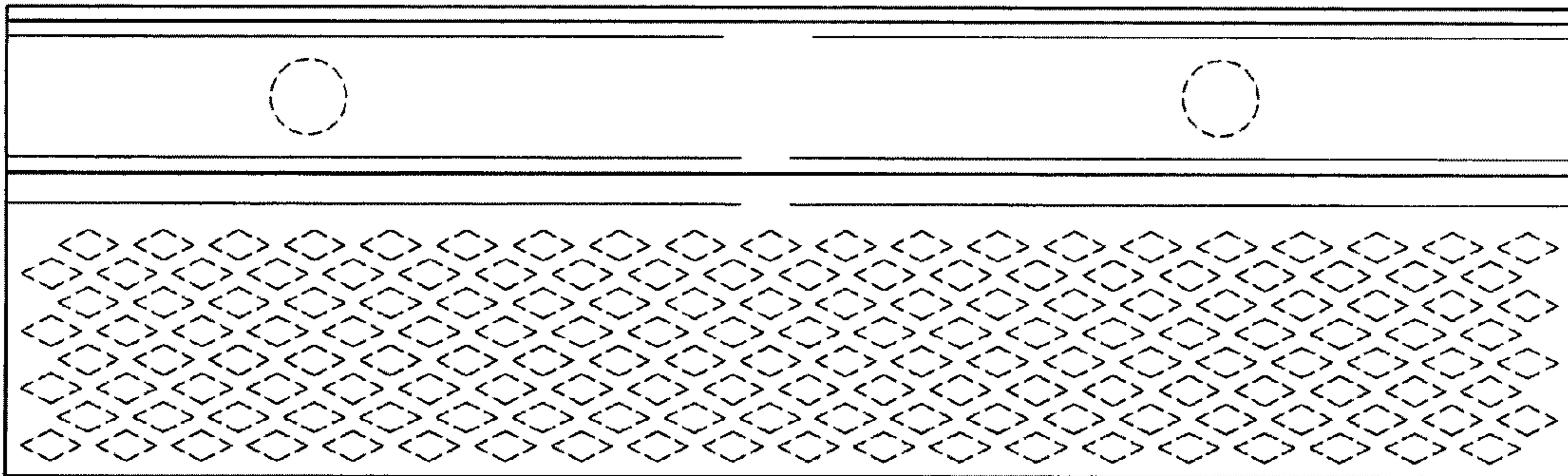


FIG. 5

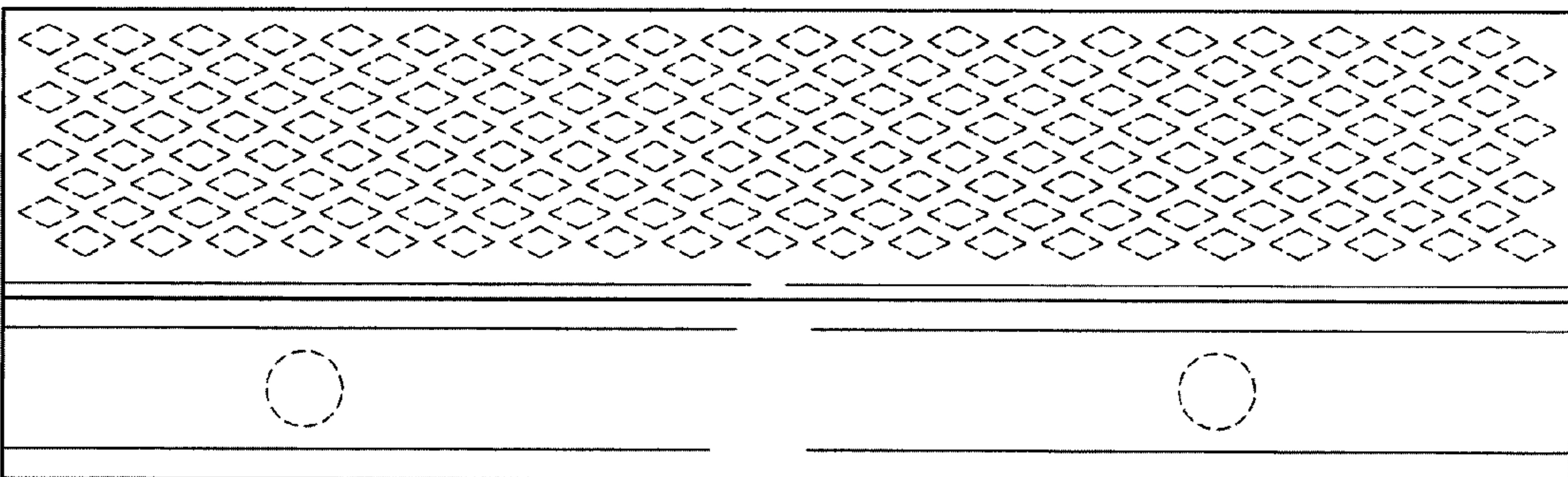


FIG. 6

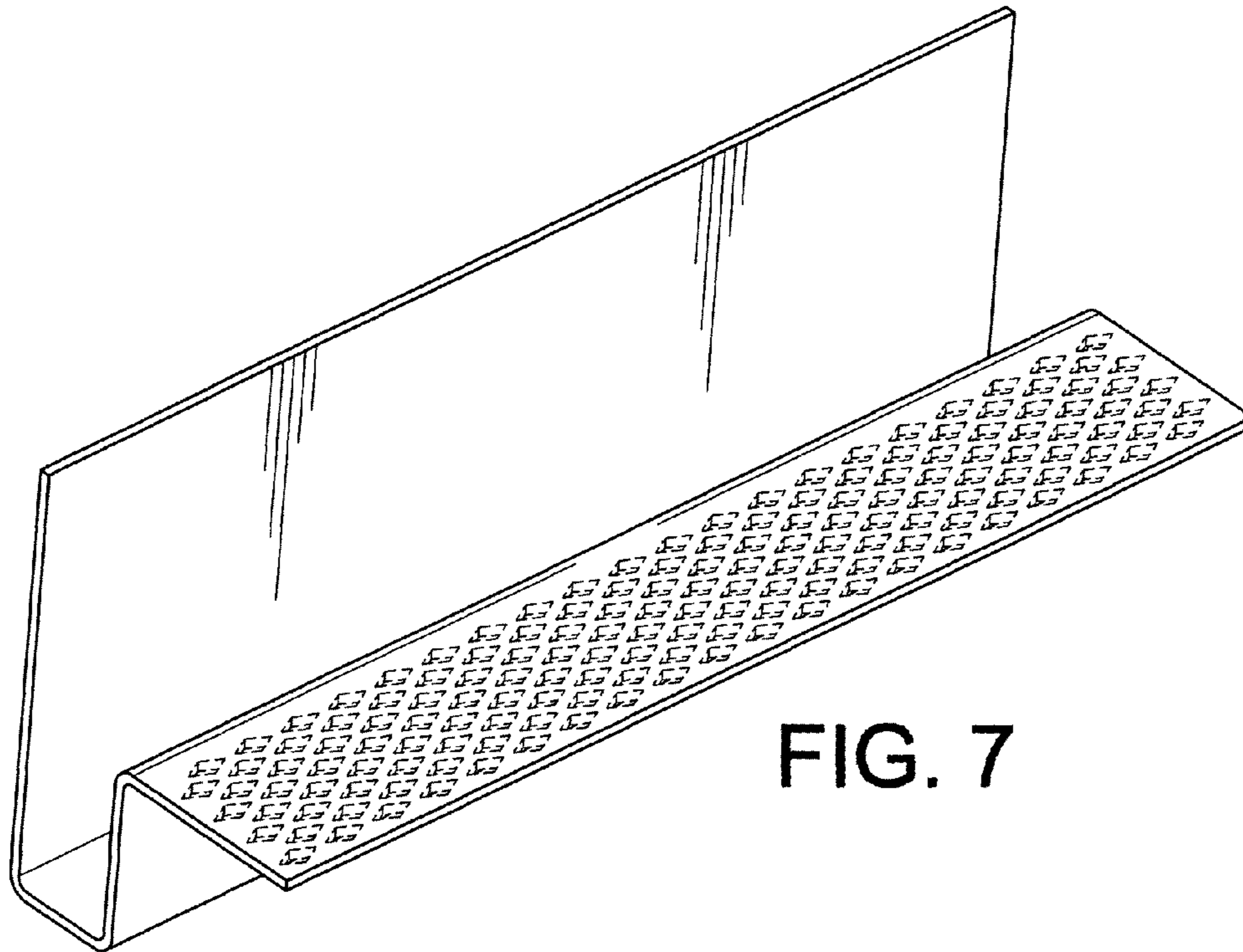


FIG. 7

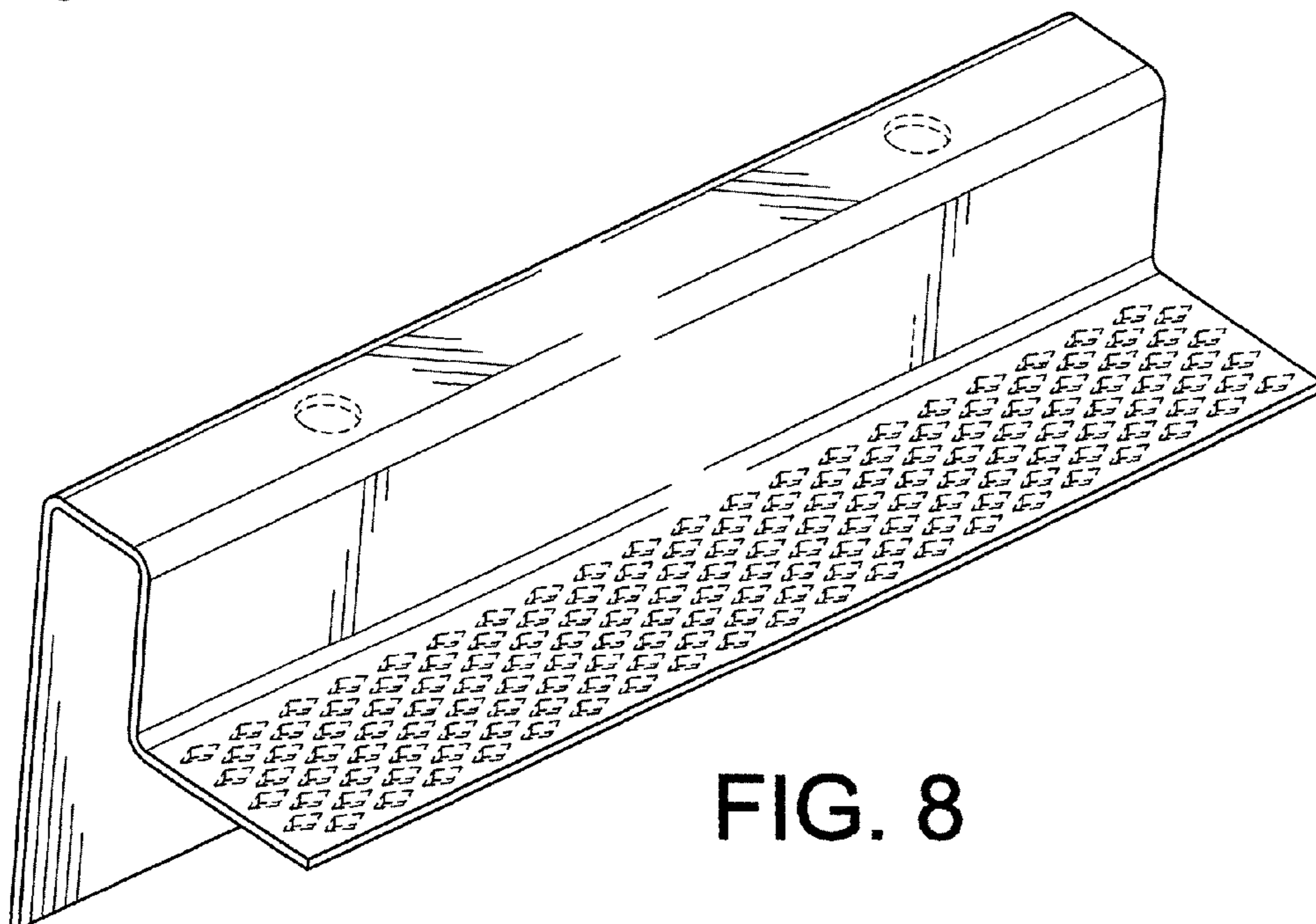


FIG. 8