

US00D656602S

(12) **United States Design Patent**  
**Wildfang**

(10) **Patent No.:** **US D656,602 S**  
(45) **Date of Patent:** **\*\* Mar. 27, 2012**

(54) **FLOW REGULATOR**

(75) Inventor: **Fabian Wildfang**, Badenweiler (DE)

(73) Assignee: **Neoperl GmbH**, Mullheim (DE)

(\*\*) Term: **14 Years**

(21) Appl. No.: **29/340,837**

(22) Filed: **Jul. 27, 2009**

(30) **Foreign Application Priority Data**

Feb. 4, 2009 (EM) ..... 001081764-0003  
Feb. 4, 2009 (EM) ..... 001081764-0004

(51) **LOC (9) Cl.** ..... **23-04**

(52) **U.S. Cl.** ..... **D23/388**

(58) **Field of Classification Search** ..... D23/249,  
D23/259-262, 269, 393, 388, 390, 213; 137/67;  
239/428.5; D8/382; 411/180  
See application file for complete search history.

(56) **References Cited**

**U.S. PATENT DOCUMENTS**

D290,166 S \* 6/1987 Jacuzzi ..... D23/261  
D344,325 S \* 2/1994 Chalberg ..... D23/261  
D461,233 S \* 8/2002 Whalen ..... D23/261  
D504,809 S \* 5/2005 Sato et al. .... D8/382  
7,112,025 B2 \* 9/2006 Ward et al. .... 411/180

D577,416 S \* 9/2008 Buttgen ..... D23/213  
D612,911 S \* 3/2010 Grether ..... D23/249  
D613,829 S \* 4/2010 Griffin et al. .... D23/260  
D622,355 S \* 8/2010 Grether ..... D23/249  
D629,875 S \* 12/2010 Sears ..... D23/261  
D641,834 S \* 7/2011 Blum ..... D23/249  
D641,840 S \* 7/2011 Grether ..... D23/249  
2006/0011748 A1 \* 1/2006 Ferrari ..... 239/428.5

\* cited by examiner

*Primary Examiner* — David Muller

(74) *Attorney, Agent, or Firm* — Volpe and Koenig, P.C.

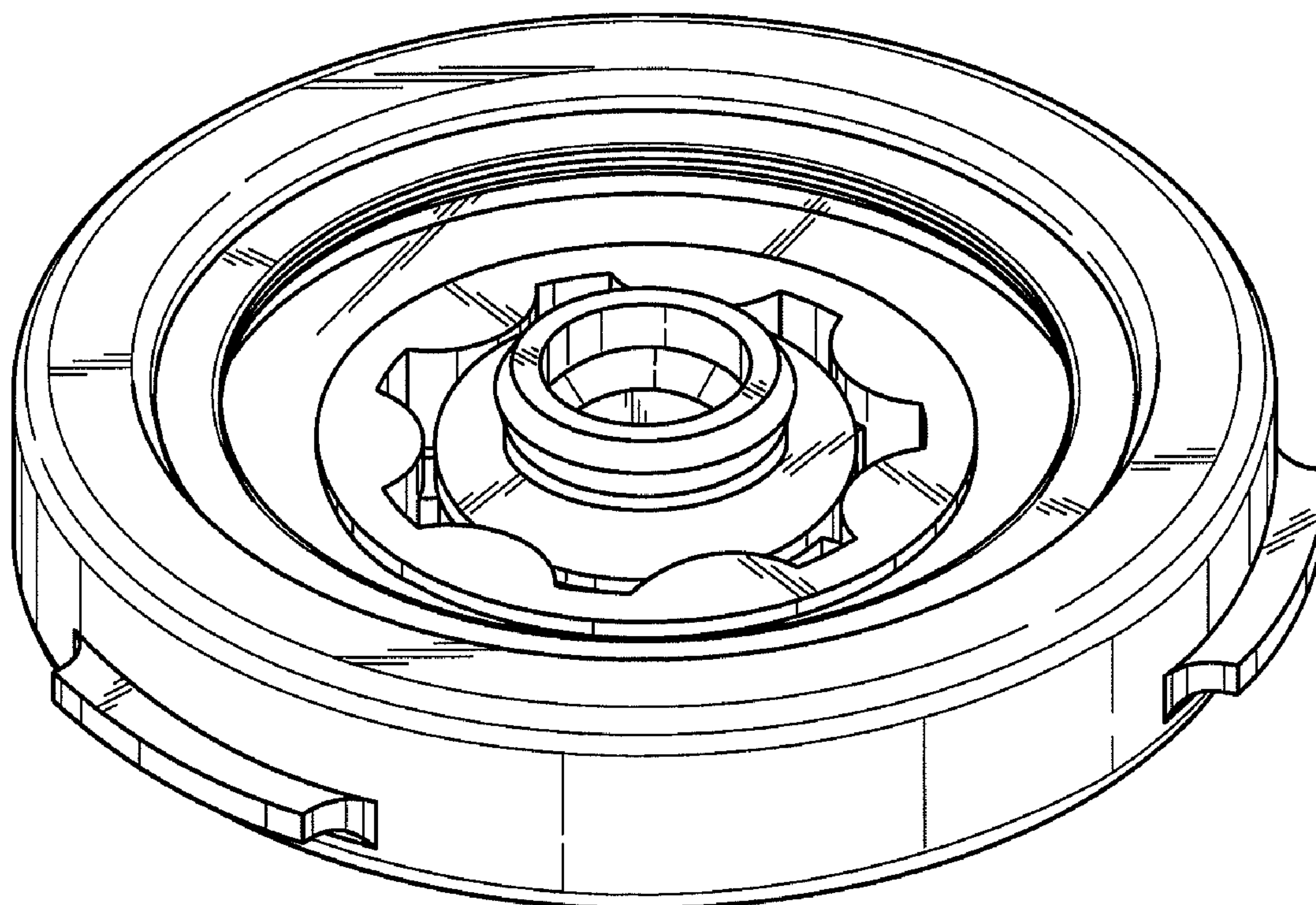
(57) **CLAIM**

I claim the design for a flow regulator, as shown and described.

**DESCRIPTION**

FIG. 1 is a top, left, front perspective view of a first embodiment of a flow regulator according to my design;  
FIG. 2 is a bottom, left, front perspective view thereof;  
FIG. 3 is a top plan view thereof;  
FIG. 4 is a bottom view thereof  
FIG. 5 is a front elevation view thereof, the rear elevation view being a mirror image thereof;  
FIG. 6 is a right side elevation view thereof; and,  
FIG. 7 is a left side elevation view thereof.

**1 Claim, 7 Drawing Sheets**



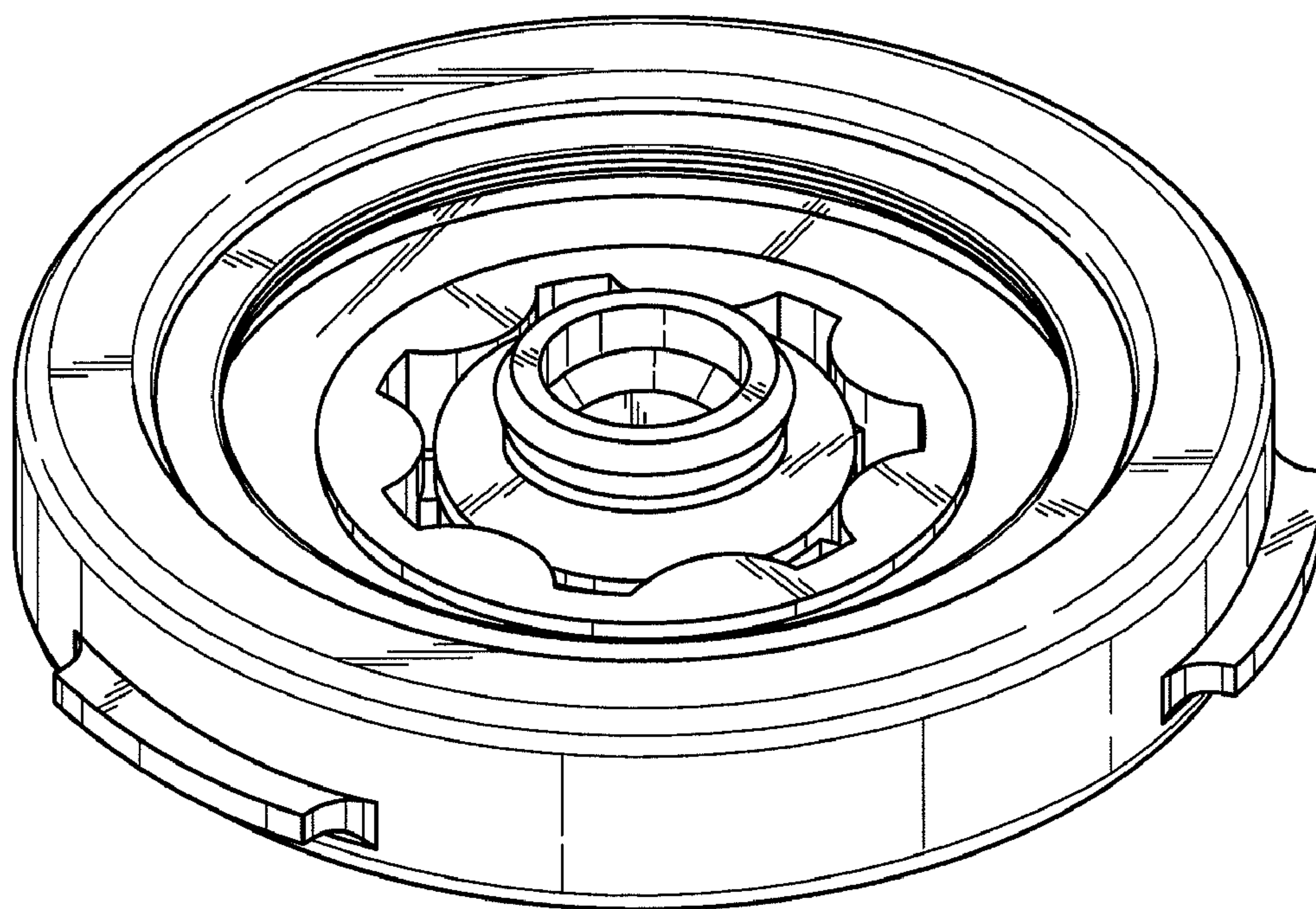


FIG. 1

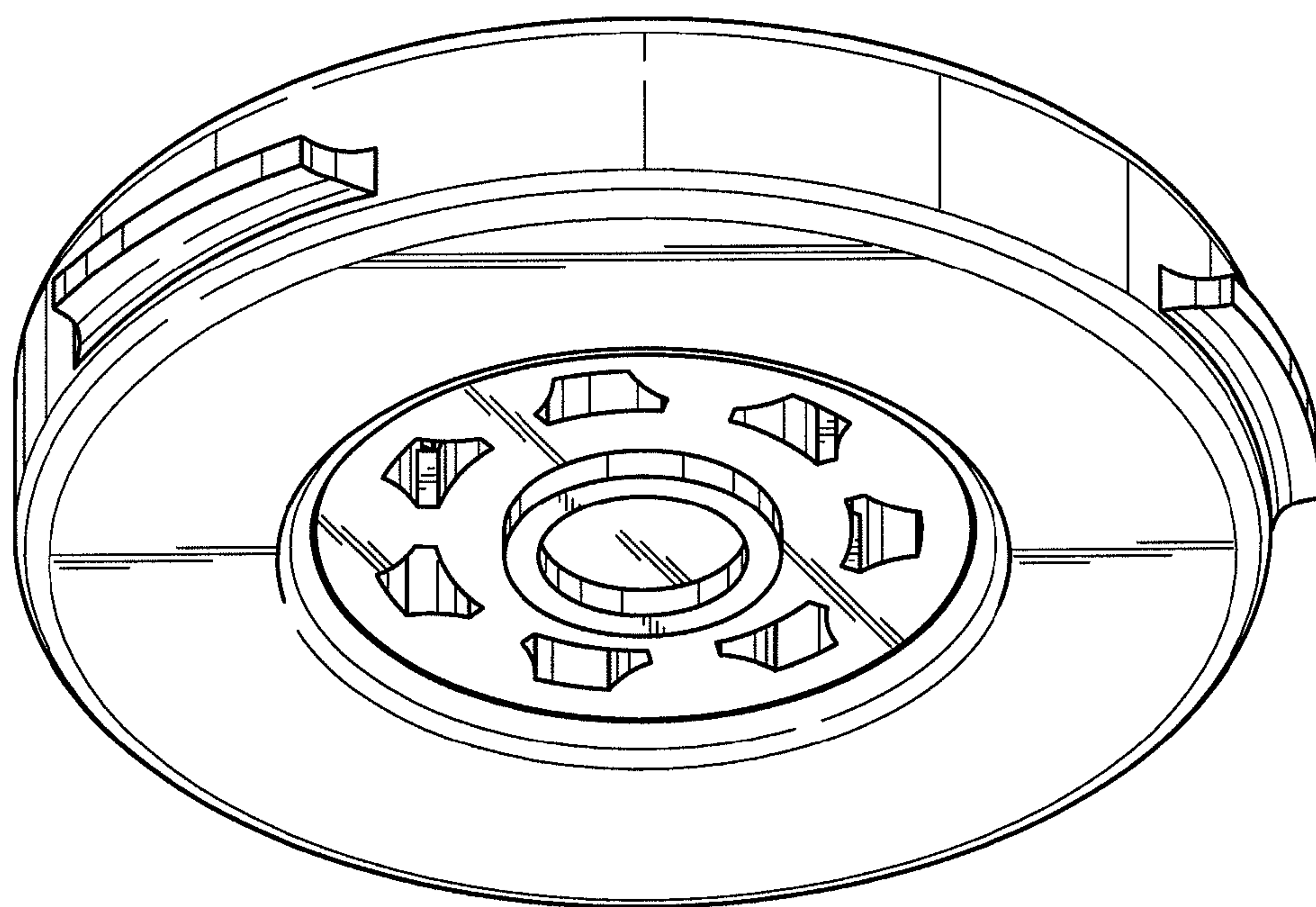


FIG. 2



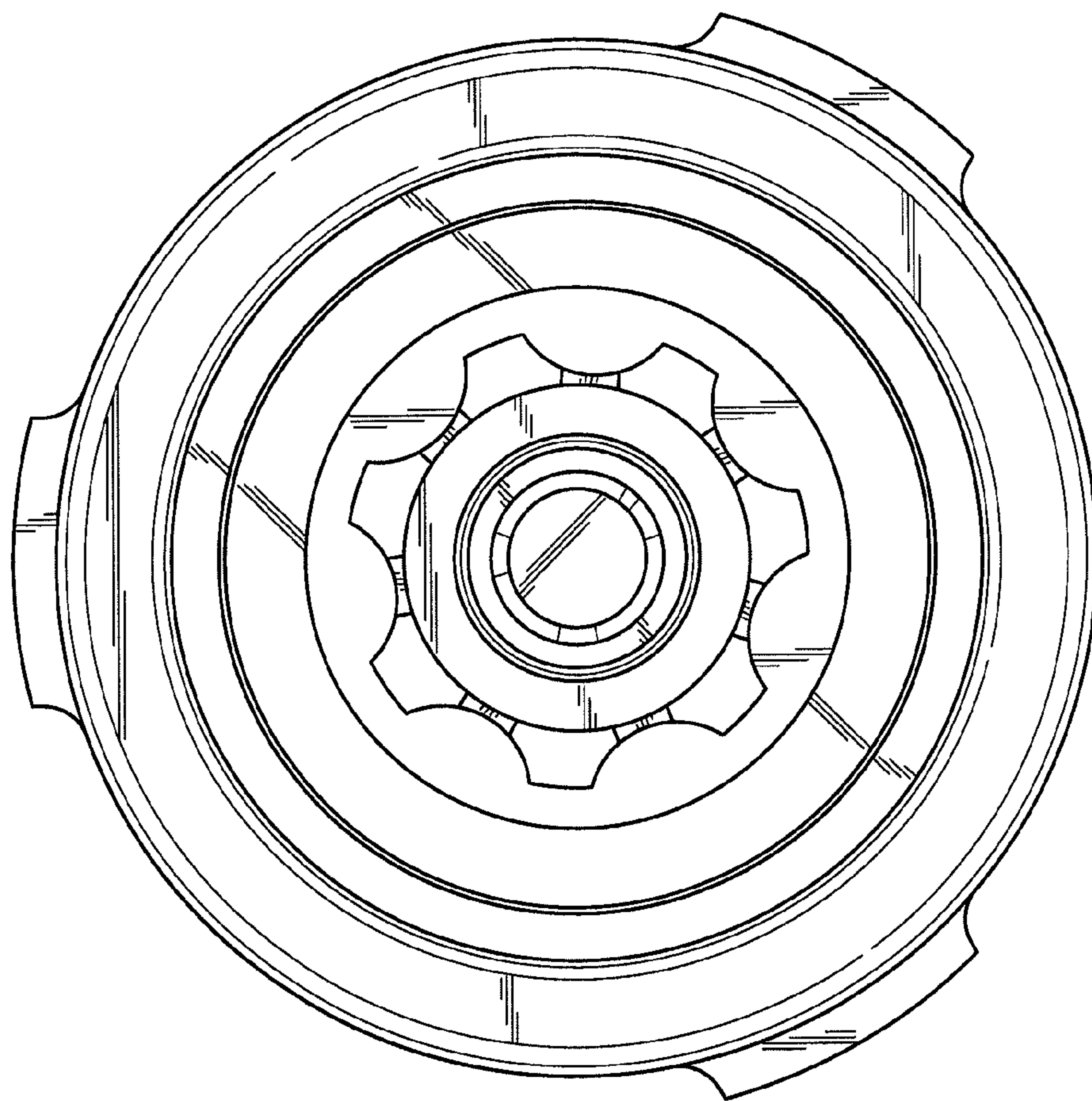


FIG. 3

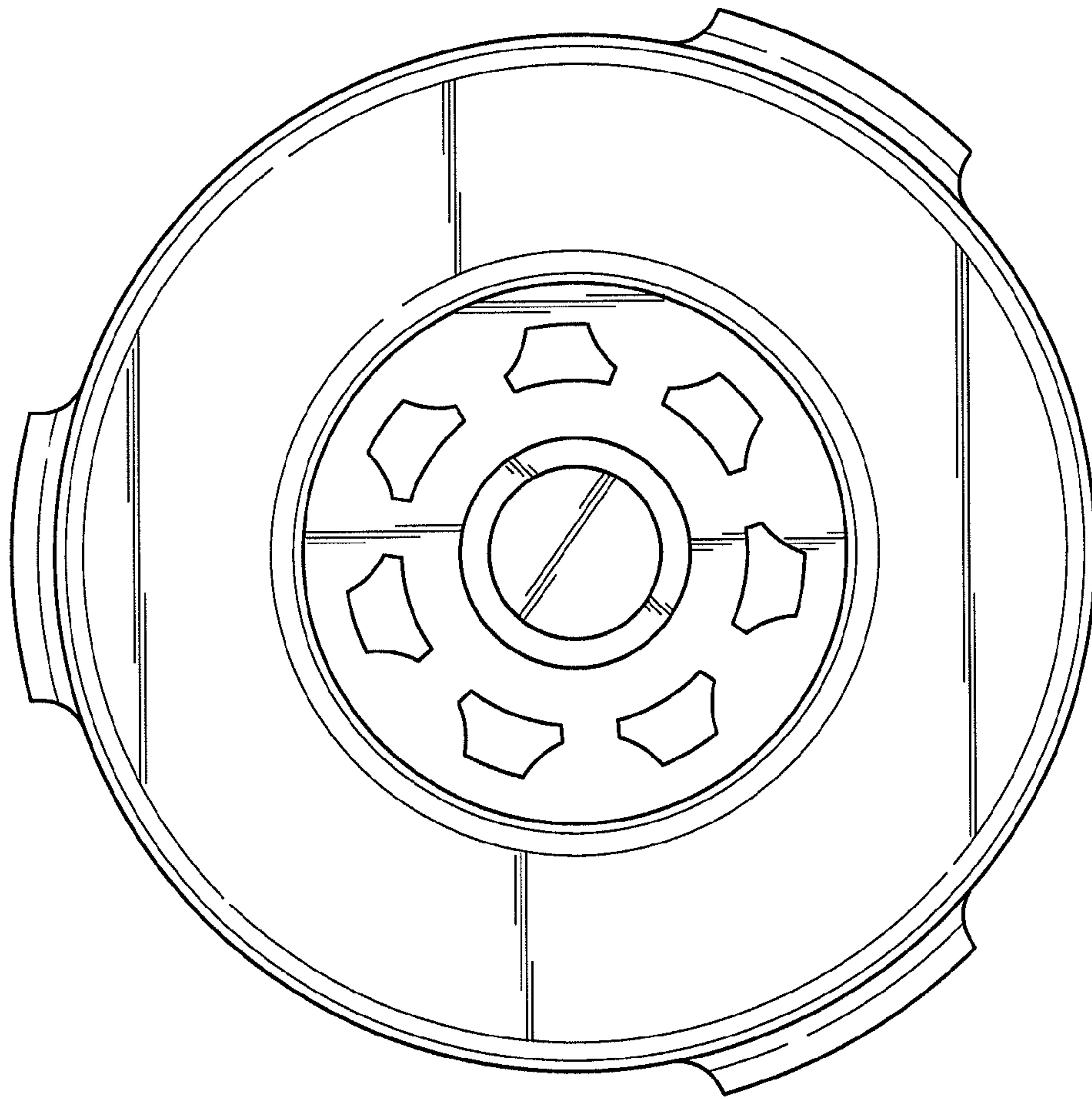


FIG. 4

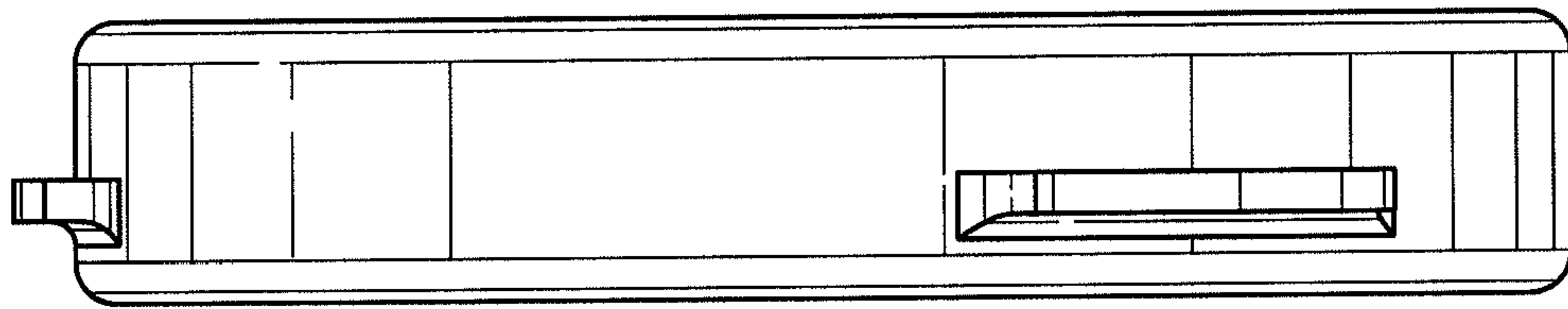


FIG. 5

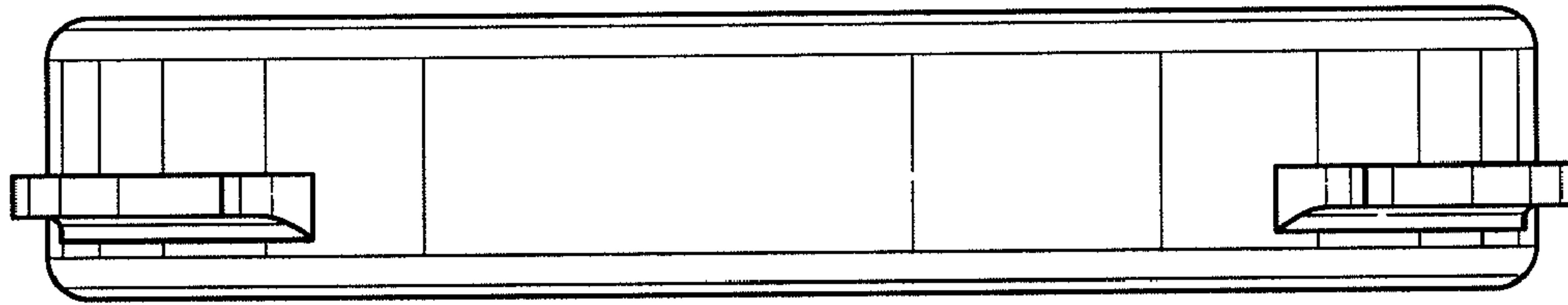


FIG. 6

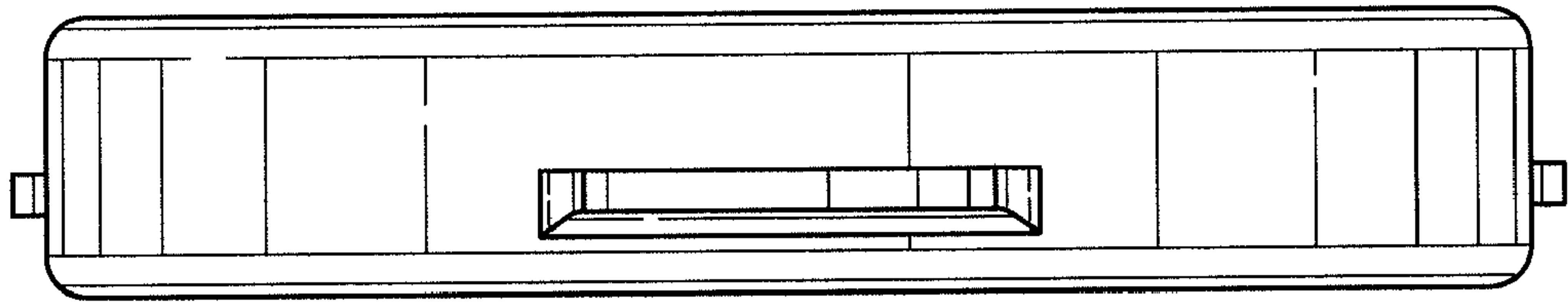


FIG. 7