



(12) **United States Design Patent**
Browder

(10) **Patent No.:** **US D656,600 S**
(45) **Date of Patent:** **** Mar. 27, 2012**

(54) **HEATING PLATE**

(75) **Inventor:** **John Browder**, Argyle, TX (US)

(73) **Assignee:** **IDC Enchanted Lighting Company, LLC**, Roanoke, TX (US)

(**) **Term:** **14 Years**

(21) **Appl. No.:** **29/405,477**

(22) **Filed:** **Nov. 2, 2011**

(51) **LOC (9) Cl.** **28-99**

(52) **U.S. Cl.** **D23/366**

(58) **Field of Classification Search** D23/355-369;
D28/5, 6; 261/DIG. 17, DIG. 42, DIG. 65,
261/DIG. 88, DIG. 89; 392/386, 390, 391,
392/392, 393, 394, 395; 239/34, 35, 44-47,
239/50, 53, 56, 60, 145, 326

See application file for complete search history.

(56) **References Cited**

U.S. PATENT DOCUMENTS

4,849,606	A *	7/1989	Martens et al.	392/390
6,037,574	A *	3/2000	Lanham et al.	219/544
6,141,496	A *	10/2000	Sundberg et al.	392/390
6,289,176	B1 *	9/2001	Martter et al.	392/392
D520,129	S *	5/2006	Sevy	D23/367
D565,164	S *	3/2008	Duston et al.	D23/366
7,398,013	B2 *	7/2008	He et al.	392/394
D589,471	S *	3/2009	Komatsu	D13/182
D610,666	S *	2/2010	Furner et al.	D23/366

OTHER PUBLICATIONS

Co-pending U.S. Appl. No. 29/405,474 to John Browder, filed Nov. 2, 2011, titled "Fragrance Disk."

Co-pending U.S. Appl. No. 13/171,730 to Matthew Kowalec et al., filed Jun. 29, 2011, titled "Fragrance Producing Lighting Device."

Co-pending U.S. Appl. No. 13/280,055 to John Browder et al., filed Oct. 24, 2011, titled "Fragrance Producing Lighting Device."

* cited by examiner

Primary Examiner — Sandra Snapp

(74) *Attorney, Agent, or Firm* — Brian Harris

(57) **CLAIM**

The ornamental design for a heating plate, as shown and described.

DESCRIPTION

FIG. 1 is a perspective view of a heating plate showing my new design;

FIG. 2 is a second perspective view thereof;

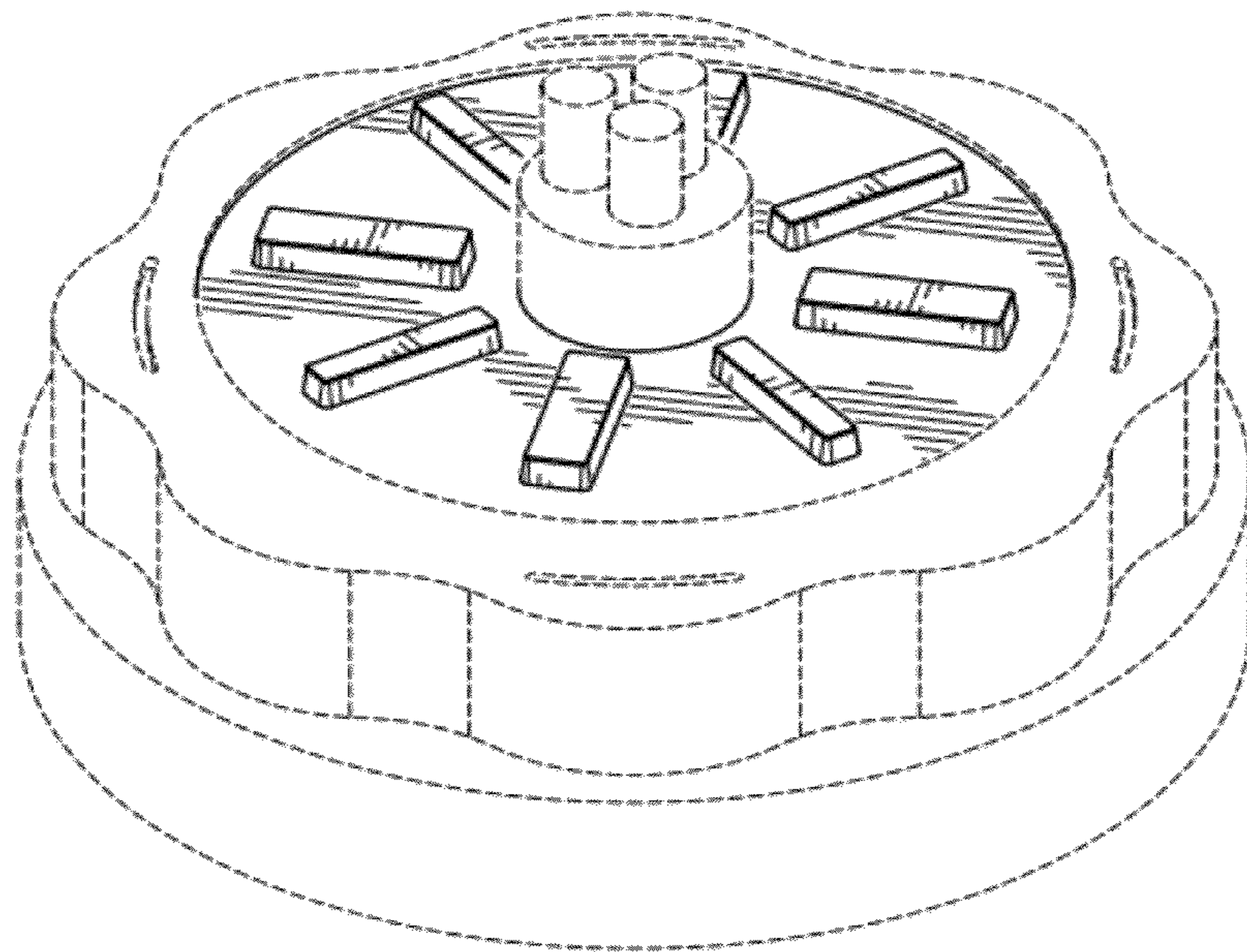
FIG. 3 is a top view thereof;

FIG. 4 is a front view thereof, the back, left side, and right side views being identical thereto; and,

FIG. 5 is a side view thereof rotated about its central vertical axis approximately 45 degrees from the position shown in FIG. 4.

The appearance of the bottom side forms no part of the claimed design. The broken lines in FIGS. 2, 4, and 5 represent unclaimed boundaries of the design. The broken lines in FIG. 1 are for environmental purposes only and form no part of the claimed design.

1 Claim, 2 Drawing Sheets



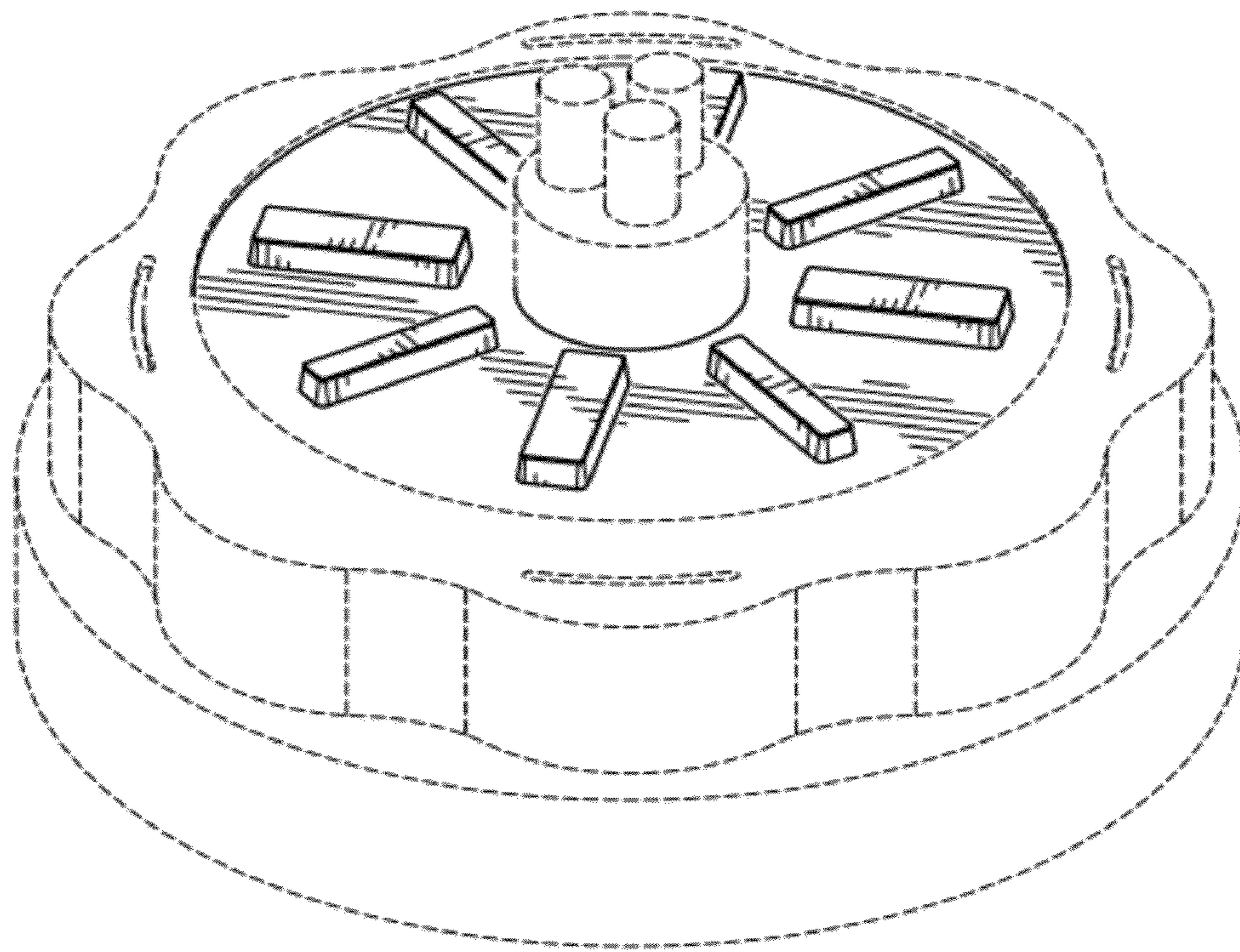


FIG. 1

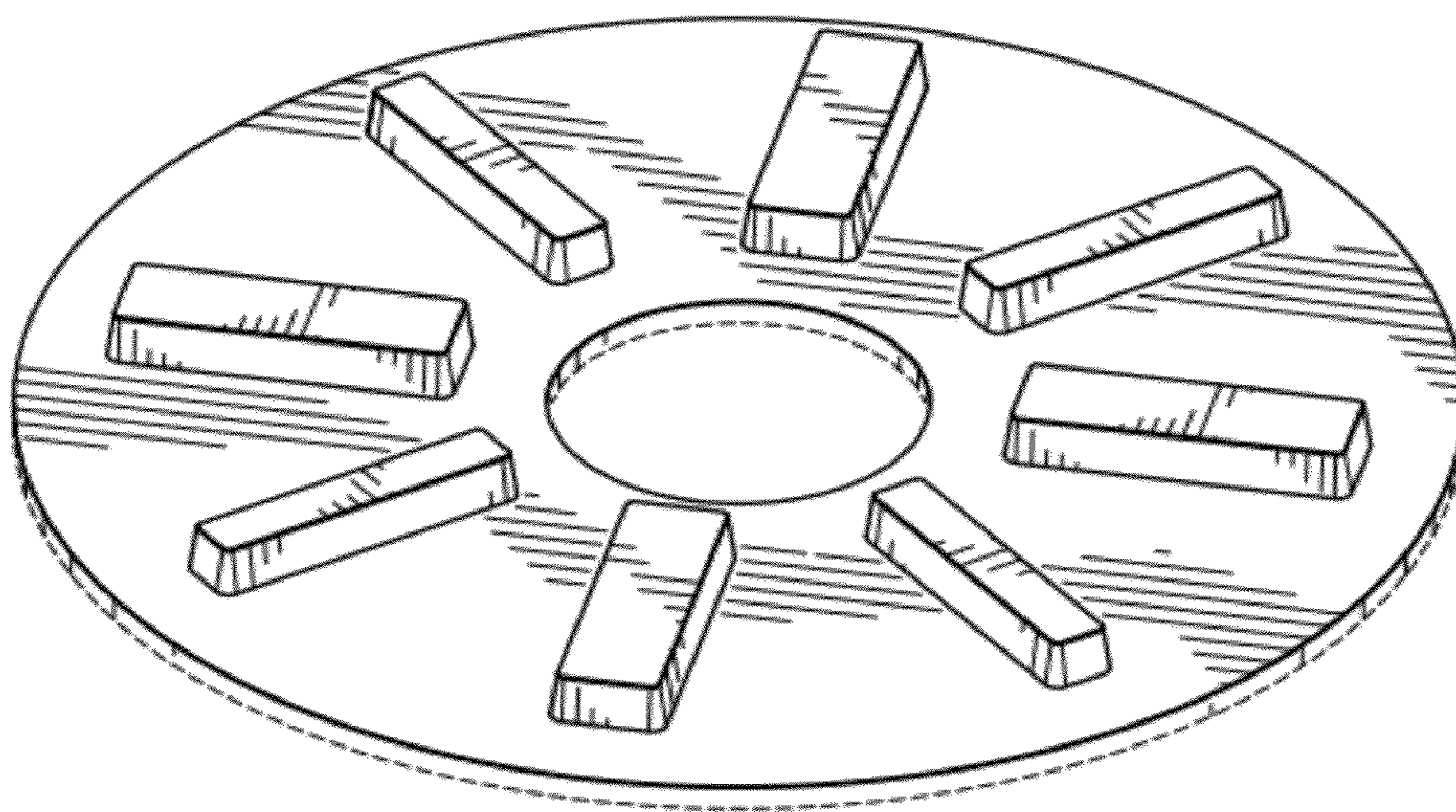


FIG. 2

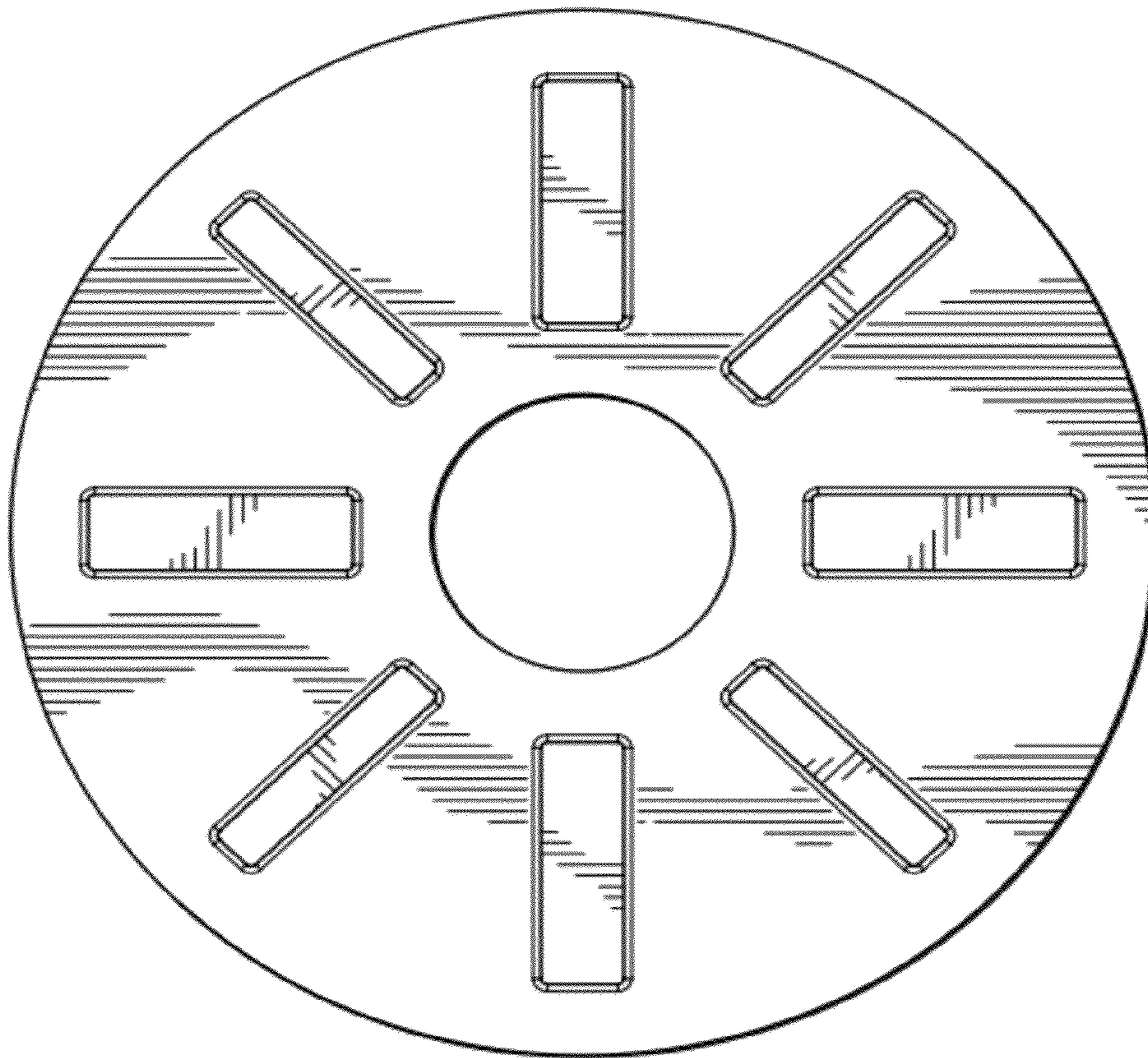


FIG. 3

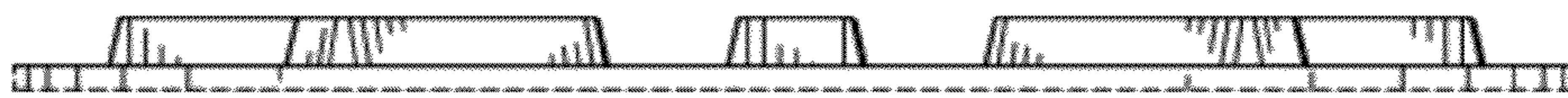


FIG. 4



FIG. 5