



US00D656599S

(12) **United States Design Patent**  
**Browder**

(10) **Patent No.:** **US D656,599 S**

(45) **Date of Patent:** **\*\* Mar. 27, 2012**

(54) **FRAGRANCE DISK**

(75) Inventor: **John Browder**, Argyle, TX (US)

(73) Assignee: **IDC Enchanted Lighting Company, LLC**, Roanoke, TX (US)

(\*\*) Term: **14 Years**

(21) Appl. No.: **29/405,474**

(22) Filed: **Nov. 2, 2011**

(51) **LOC (9) Cl.** ..... **28-99**

(52) **U.S. Cl.** ..... **D23/366**

(58) **Field of Classification Search** ..... D23/355-369;  
D28/5, 6; 261/DIG. 17, DIG. 42, DIG. 65,  
261/DIG. 88, DIG. 89; 392/386, 390, 391,  
392/392, 393, 394, 395; 239/34, 35, 44-47,  
239/50, 53, 56, 60, 145, 326

See application file for complete search history.

(56) **References Cited**

**U.S. PATENT DOCUMENTS**

|               |         |                           |         |
|---------------|---------|---------------------------|---------|
| D289,919 S *  | 5/1987  | O'Neil, Jr. ....          | D23/366 |
| D291,242 S *  | 8/1987  | Harden et al. ....        | D23/386 |
| 4,944,898 A * | 7/1990  | Glaser .....              | 261/84  |
| D315,202 S *  | 3/1991  | Kunze .....               | D23/366 |
| D354,344 S *  | 1/1995  | Fritz et al. ....         | D23/366 |
| D512,496 S *  | 12/2005 | Harbutt et al. ....       | D23/366 |
| D513,433 S *  | 1/2006  | Lemaire .....             | D23/366 |
| D514,212 S *  | 1/2006  | Harbutt et al. ....       | D23/366 |
| D514,213 S *  | 1/2006  | Harbutt et al. ....       | D23/366 |
| D520,130 S *  | 5/2006  | Miro .....                | D23/368 |
| D525,352 S *  | 7/2006  | Lemaire .....             | D23/366 |
| D532,891 S *  | 11/2006 | Buthier et al. ....       | D23/366 |
| D536,082 S *  | 1/2007  | Pugh .....                | D23/366 |
| D540,454 S *  | 4/2007  | Ruiz Ballesteros et al. . | D23/366 |

|              |         |                           |         |
|--------------|---------|---------------------------|---------|
| D550,829 S * | 9/2007  | Buthier et al. ....       | D23/367 |
| D582,535 S * | 12/2008 | Nickel et al. ....        | D23/366 |
| D585,129 S * | 1/2009  | Huang .....               | D23/366 |
| D596,731 S * | 7/2009  | Garcia Fabrega et al. ... | D23/366 |
| D599,898 S * | 9/2009  | Nickel et al. ....        | D23/366 |
| D611,589 S * | 3/2010  | Ko et al. ....            | D23/366 |
| D612,039 S * | 3/2010  | Ko et al. ....            | D23/366 |
| D614,153 S * | 4/2010  | Fondurulia et al. ....    | D13/182 |
| D620,572 S * | 7/2010  | Moreno et al. ....        | D23/366 |
| D630,311 S * | 1/2011  | Chiou .....               | D23/366 |
| D640,358 S * | 6/2011  | Irvin .....               | D23/366 |

**OTHER PUBLICATIONS**

Co-pending U.S. Appl. No. 29/405,477 to John Browder, filed Nov. 2, 2011, titled "Heating Plate."

Co-pending U.S. Appl. No. 13/171,730 to Matthew Kowalec et al., filed Jun. 29, 2011, titled "Fragrance Producing Lighting Device."

Co-pending U.S. Appl. No. 13/280,055 to John Browder et al., filed Oct. 24, 2011, titled "Fragrance Producing Lighting Device."

\* cited by examiner

*Primary Examiner* — Sandra Snapp

(74) *Attorney, Agent, or Firm* — Brian Harris

(57) **CLAIM**

The ornamental design for a fragrance disk, as shown and described.

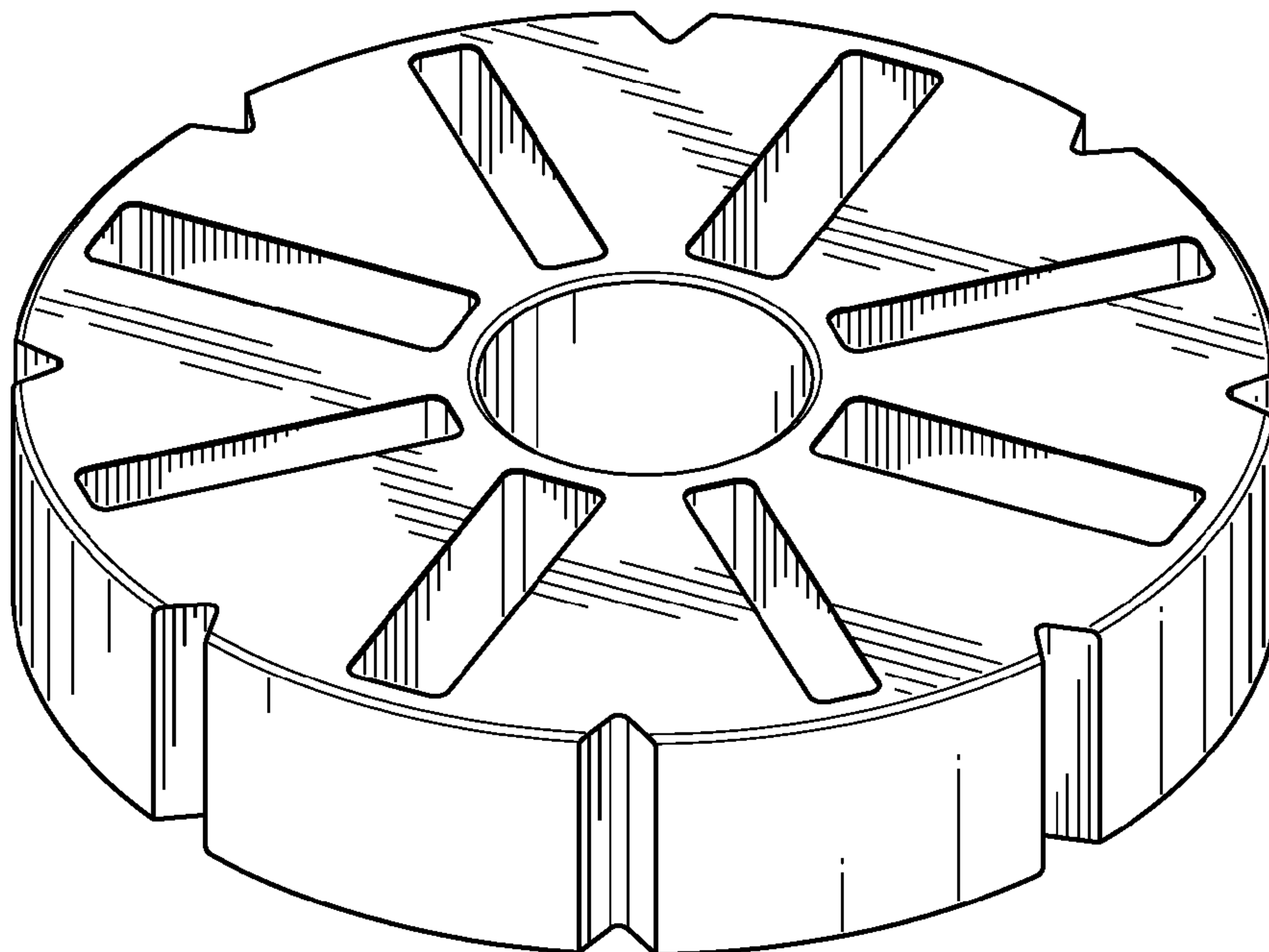
**DESCRIPTION**

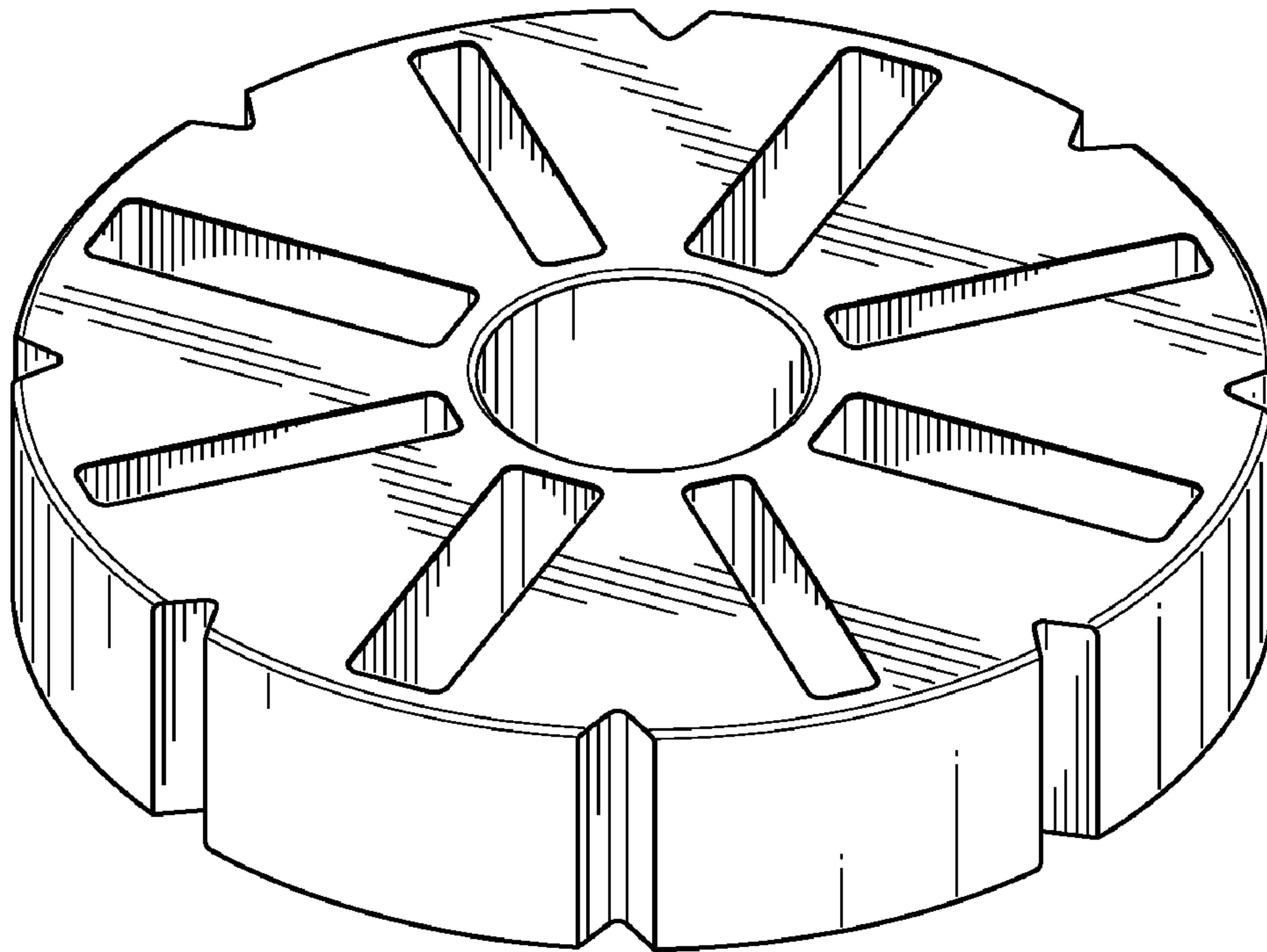
FIG. 1 is a perspective view of a fragrance disk showing my new design;

FIG. 2 is a front view thereof, the back side, left side, and right side views being identical thereto; and,

FIG. 3 is a top view thereof, the bottom view being identical thereto.

**1 Claim, 2 Drawing Sheets**

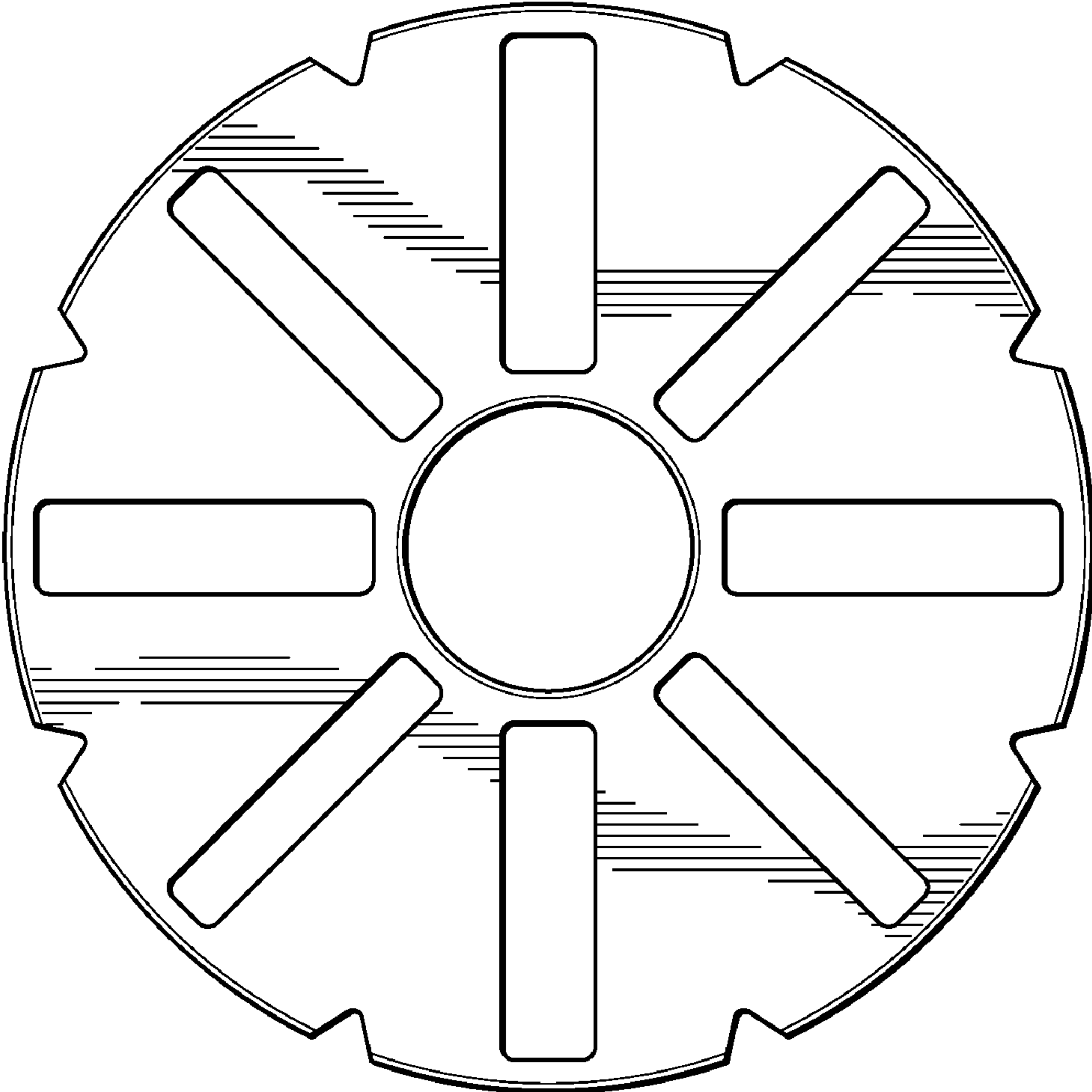




*FIG. 1*



*FIG. 2*



*FIG. 3*