



US00D656598S

(12) **United States Design Patent**  
**Motylinski et al.**

(10) **Patent No.:** **US D656,598 S**  
(45) **Date of Patent:** **\*\* Mar. 27, 2012**

(54) **SPILL-PROOF AERATOR FOR LOW VOLATILE COMPOUND SOLUTIONS**

(75) Inventors: **Nathan Motylinski**, Raleigh, NC (US);  
**Ali Alexandre Mehfar**, Raleigh, NC (US)

(73) Assignee: **Le Cherche Midi**, Raleigh, NC (US)

(\*\*) Term: **14 Years**

(21) Appl. No.: **29/335,691**

(22) Filed: **Apr. 20, 2009**

(51) **LOC (9) Cl.** ..... **28-99**

(52) **U.S. Cl.** ..... **D23/366**

(58) **Field of Classification Search** ..... D23/355-369;  
D28/5, 6; 261/DIG. 17, DIG. 42, DIG. 65,  
261/DIG. 88, DIG. 89; 392/386, 390, 391,  
392/392, 393, 394, 395; 239/34, 35, 44-47,  
239/50, 53, 56, 60, 145, 326

See application file for complete search history.

(56) **References Cited**

**U.S. PATENT DOCUMENTS**

1,123,036	A	12/1914	Tiemann	
1,129,897	A	3/1915	Owen, Jr.	
2,283,028	A	5/1942	Bailey	
3,587,968	A	6/1971	Hennart et al.	
4,286,754	A	9/1981	Jones	
4,413,779	A *	11/1983	Santini	239/45
4,419,326	A *	12/1983	Santini	422/4
4,615,486	A *	10/1986	Konicek	239/274
4,739,928	A *	4/1988	O'Neil	239/45
4,915,301	A	4/1990	Munteanu	
D318,912	S	8/1991	von Philipp et al.	
D380,538	S	7/1997	Muller et al.	
5,967,412	A *	10/1999	Lee	239/57
D434,481	S *	11/2000	Bornstein et al.	D23/360
6,938,833	B2 *	9/2005	Chen	239/44
D515,682	S *	2/2006	LaBlaine	D23/366
7,000,852	B1	2/2006	Chiu	

7,032,831	B2 *	4/2006	Duston et al.	239/44
7,055,764	B1 *	6/2006	Martinez et al.	239/145
7,244,398	B2 *	7/2007	Kotary et al.	422/124
7,252,244	B2	8/2007	Martins, III	
7,281,670	B2 *	10/2007	Lakatos et al.	239/44
7,303,143	B2 *	12/2007	Davis et al.	239/44
7,309,024	B2 *	12/2007	Hansen et al.	239/4

(Continued)

**FOREIGN PATENT DOCUMENTS**

FR 2857137 A1 3/2006

(Continued)

*Primary Examiner* — Sandra Snapp

(74) *Attorney, Agent, or Firm* — Fay Sharpe LLP

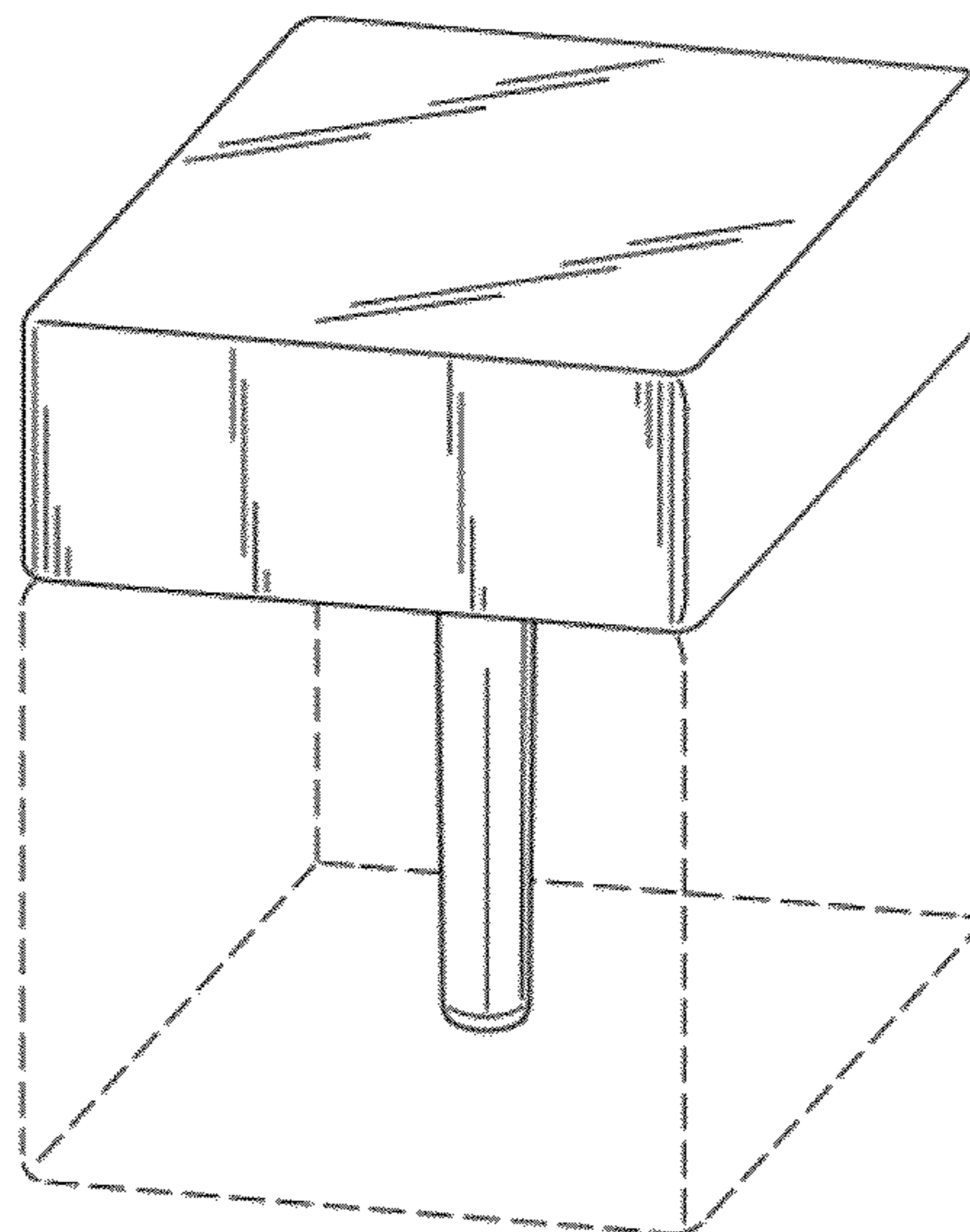
(57) **CLAIM**

The ornamental design for a spill-proof aerator for low volatile compound solutions, as shown and described.

**DESCRIPTION**

FIG. 1 is a front corner perspective view of a spill-proof aerator for low volatile compound solutions;  
 FIG. 2 is a front elevation view thereof;  
 FIG. 3 is a front corner perspective view of a diffuser top and wick assembly;  
 FIG. 4 is a bottom plan view of a diffuser top having a concentric hole and a wick disposed therein;  
 FIG. 5 is an inverted front perspective view of the bottom of the diffuser top with three wicks disposed therein;  
 FIG. 6 is an inverted front perspective view of the bottom of the diffuser top with two wicks disposed therein;  
 FIG. 7 is an inverted front perspective view of the bottom of the diffuser top with four wicks disposed therein; and,  
 FIG. 8 is an enlarged inverted front perspective view of the bottom of the diffuser top with one wick disposed therein.  
 The portions shown in broken lines are for illustrative purposes only, and form no part of the claimed design.

**1 Claim, 4 Drawing Sheets**



# US D656,598 S

Page 2

---

## U.S. PATENT DOCUMENTS

7,379,662 B2 \* 5/2008 Caserta et al. .... 392/395  
7,469,842 B2 \* 12/2008 Martens, III ..... 239/44  
7,481,380 B2 \* 1/2009 Kvietok et al. .... 239/301  
D605,746 S \* 12/2009 Butler et al. .... D23/366  
D620,574 S \* 7/2010 Jorgensen ..... D23/366  
2003/0098362 A1 \* 5/2003 Chuang ..... 239/44  
2005/0167521 A1 \* 8/2005 Glasser ..... 239/34  
2005/0199742 A1 9/2005 Maat  
2006/0231641 A1 \* 10/2006 Uchiyama et al. .... 239/34

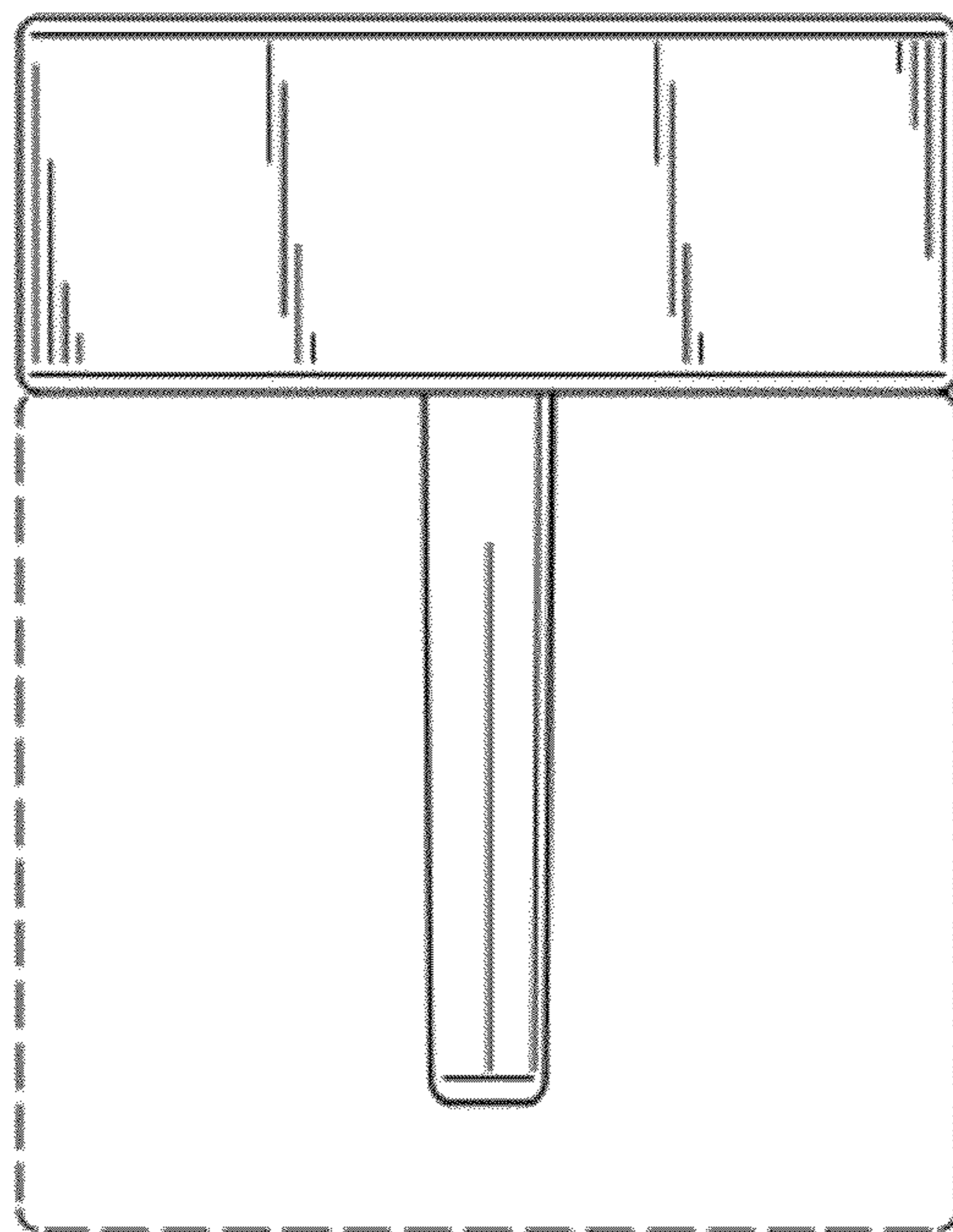
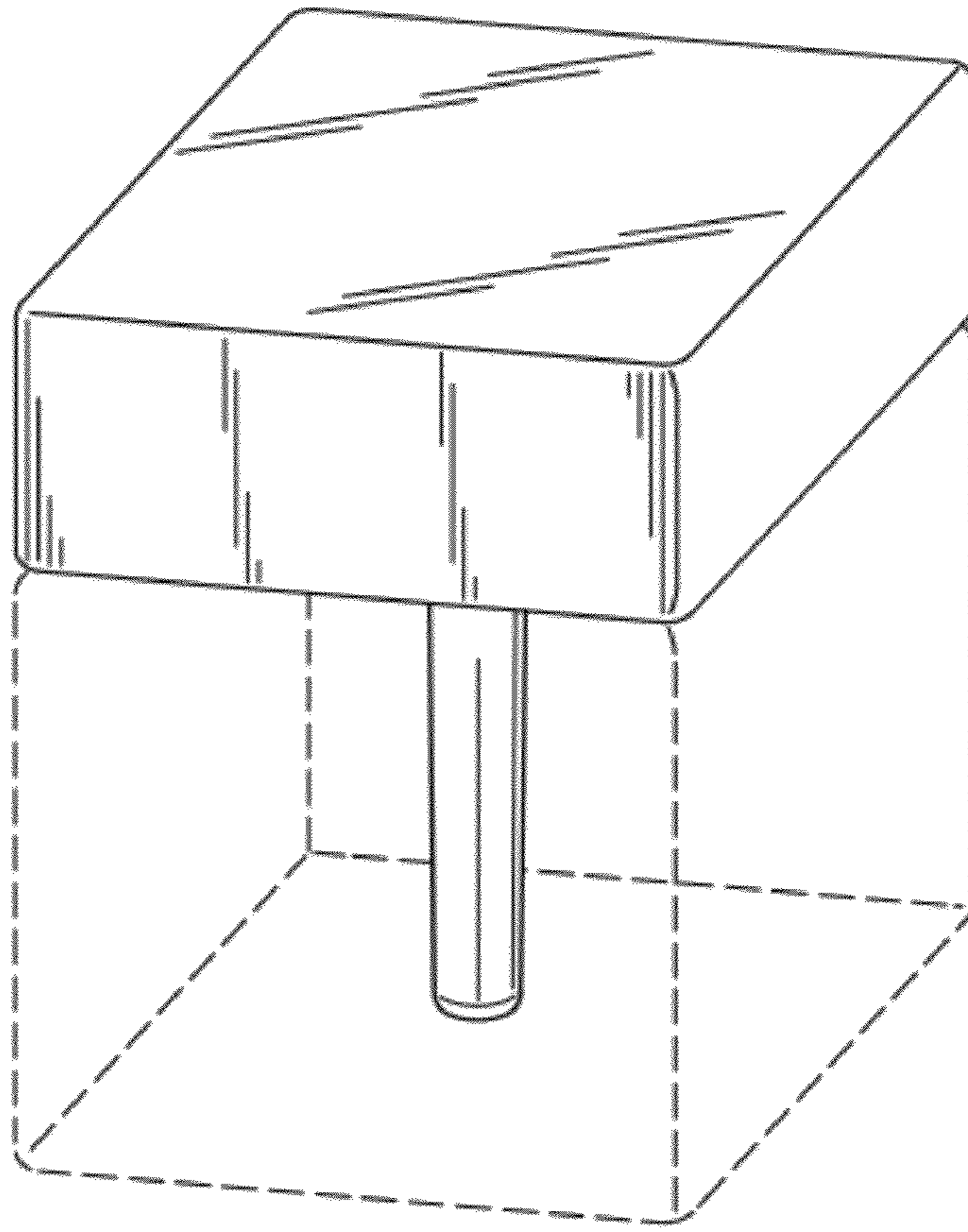
2006/0233538 A1 \* 10/2006 Tollens et al. .... 392/390  
2007/0122306 A1 5/2007 Brown et al.  
2007/0125874 A1 6/2007 Alexander  
2008/0093475 A1 4/2008 Belongia et al.  
2008/0267832 A1 10/2008 Chen  
2008/0308648 A1 \* 12/2008 Pesu ..... 239/44

## FOREIGN PATENT DOCUMENTS

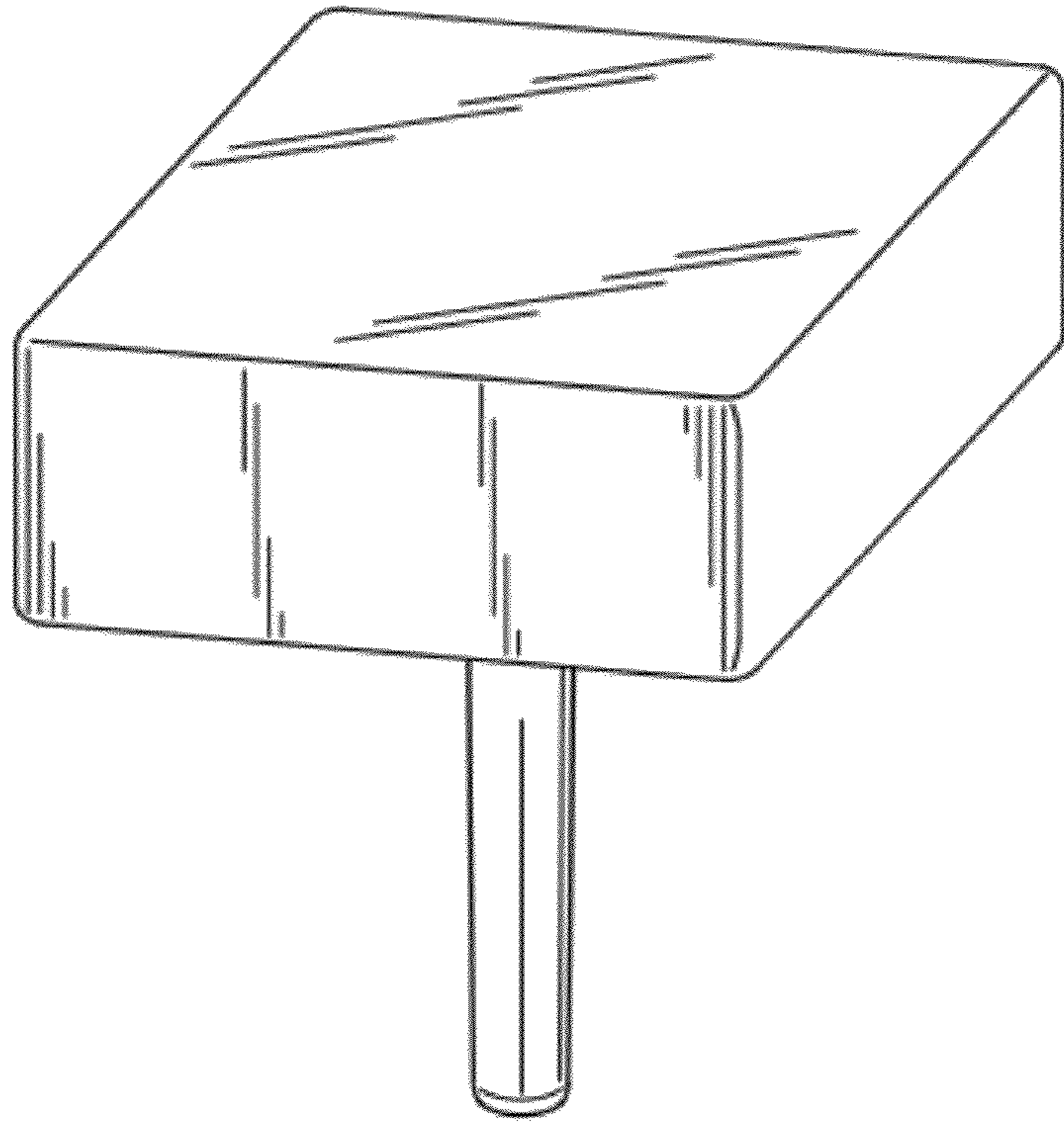
JP 404327854 A 11/1992

\* cited by examiner

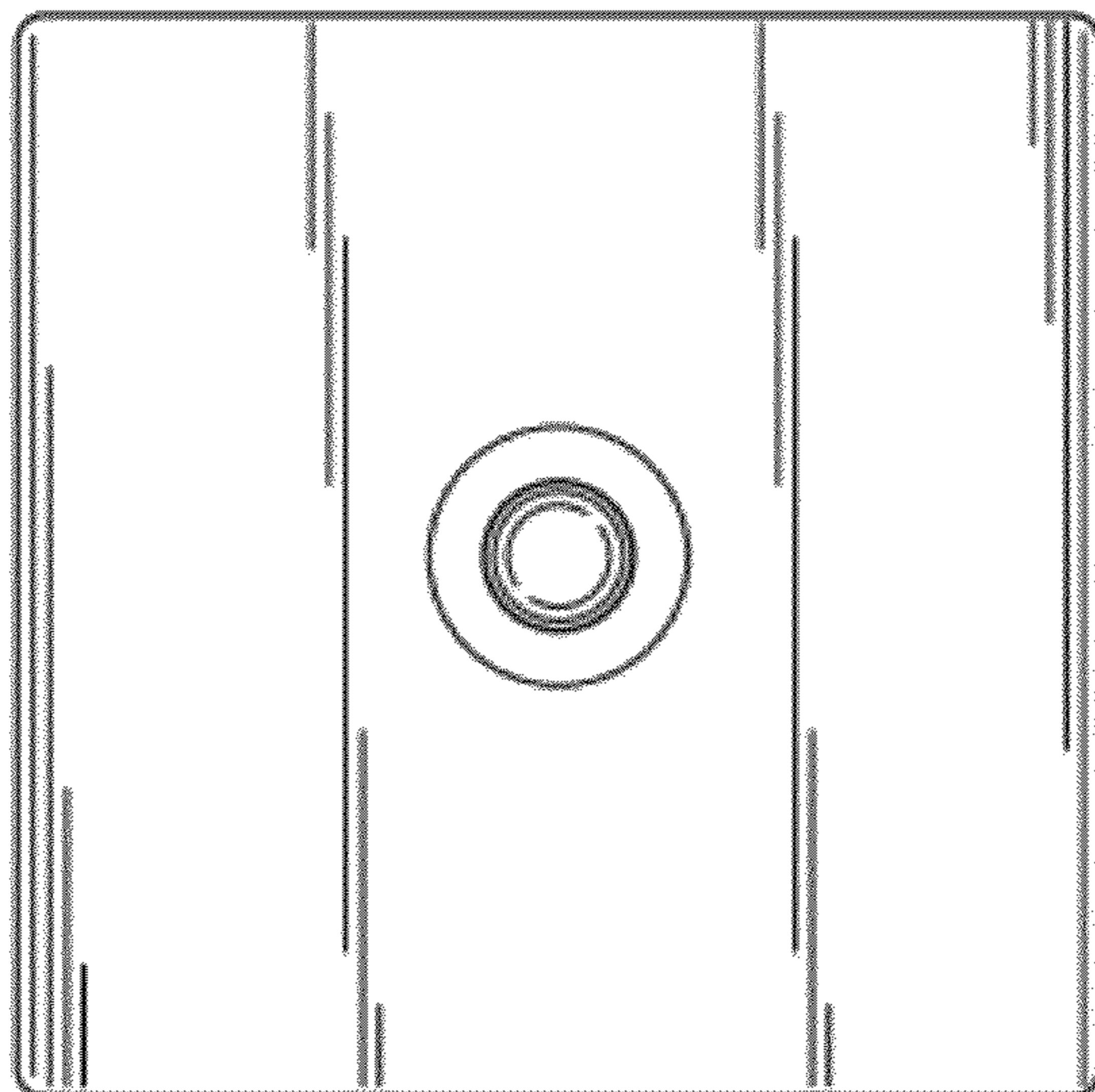
**FIG. 1**



**FIG. 2**

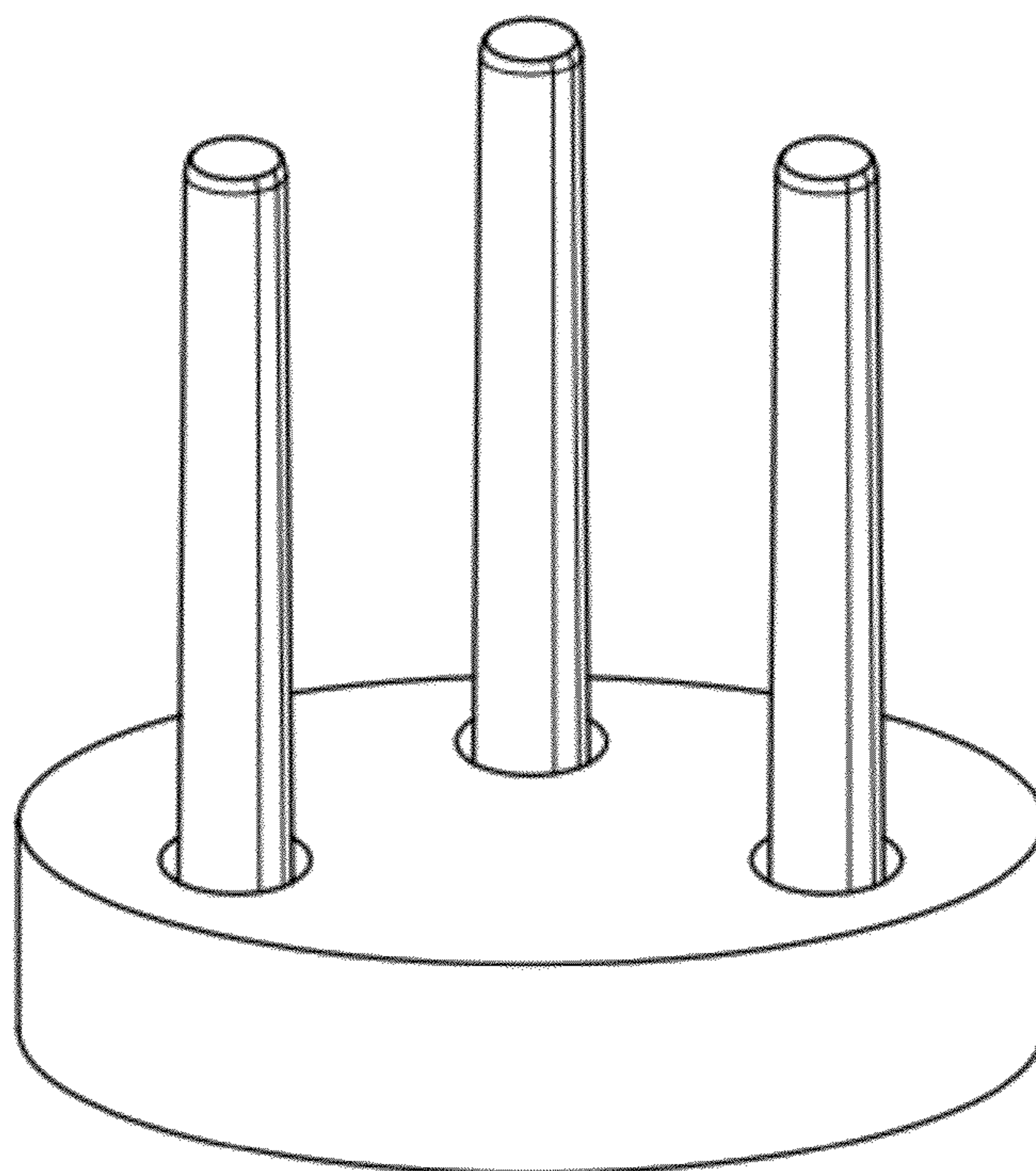


**FIG. 3**

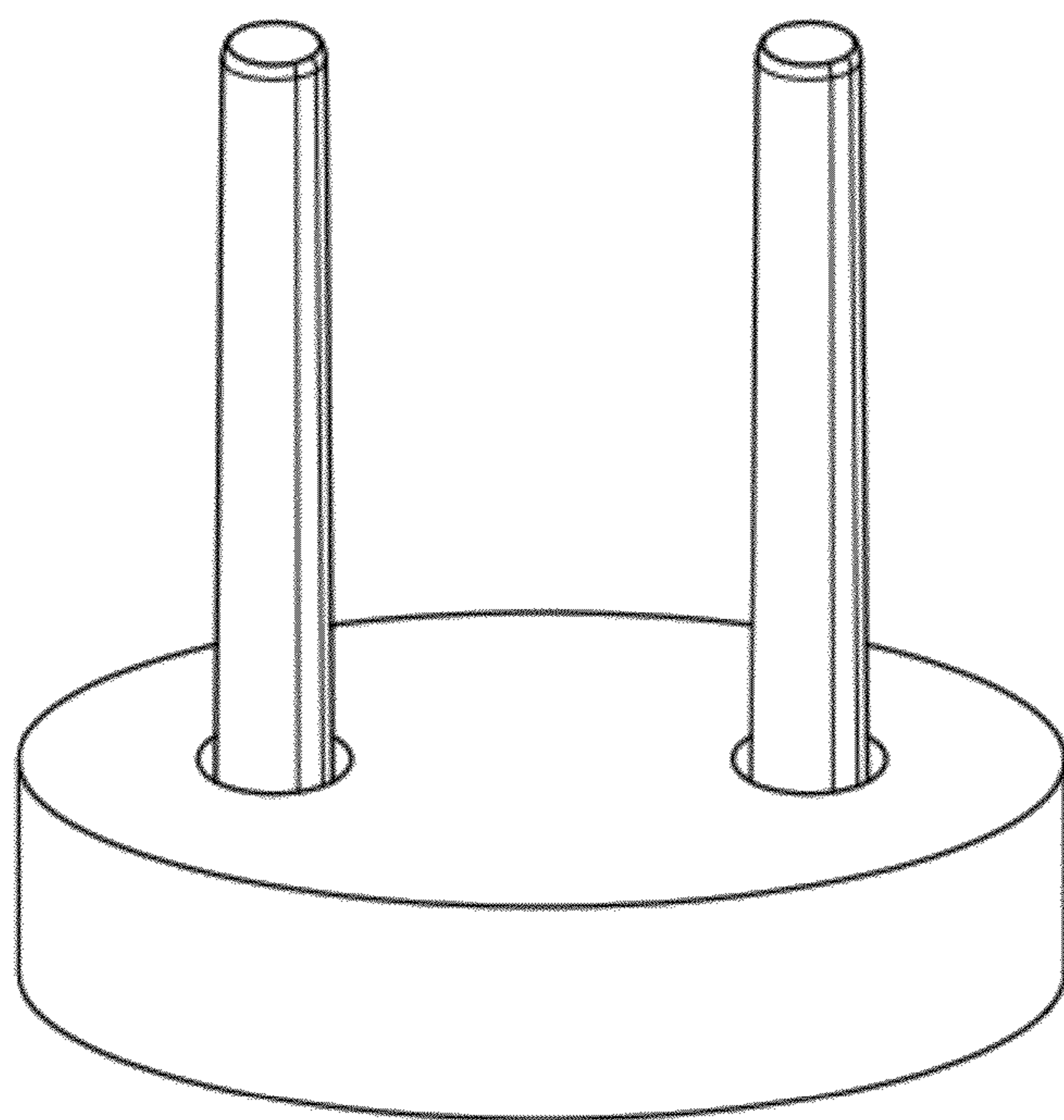


**FIG. 4**

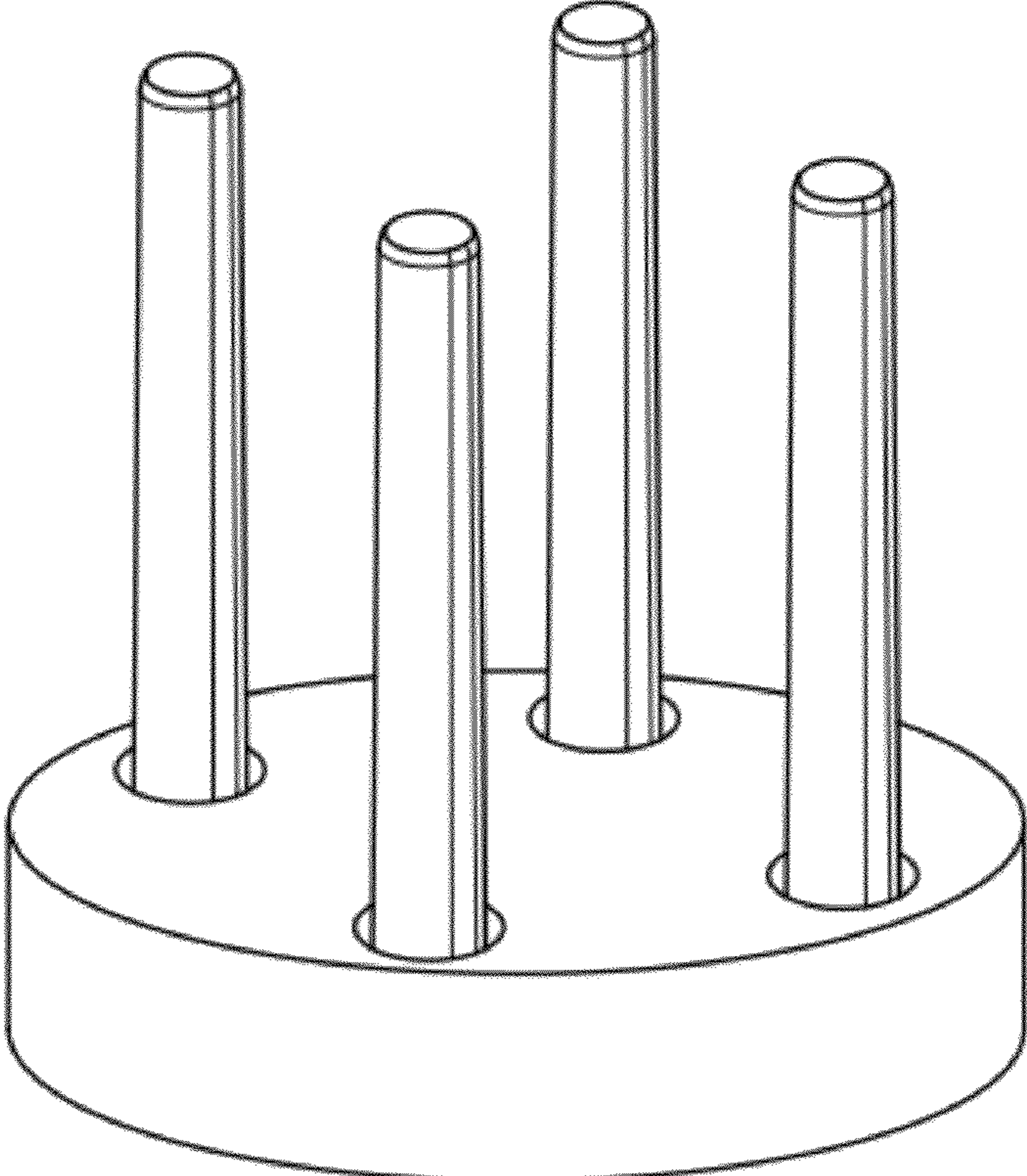
**FIG. 5**



**FIG. 6**



**FIG. 7**



**FIG. 8**

