



US00D656597S

(12) **United States Design Patent**
Liu et al.

(10) **Patent No.:** **US D656,597 S**
(45) **Date of Patent:** **** Mar. 27, 2012**

(54) **HUMIDIFIER**

(75) Inventors: **Chao Liu**, Guangdong Province (CN);
Hui Wang, Guangdong Province (CN);
Jie Xu, Guangdong Province (CN);
Yaoping Ai, Guangdong Province (CN)

(73) Assignee: **Midea Group Co., Ltd.**, Guangdong Province (CN)

(**) Term: **14 Years**

(21) Appl. No.: **29/386,141**

(22) Filed: **Feb. 25, 2011**

(30) **Foreign Application Priority Data**

Oct. 13, 2010 (CN) 2010 3 0562884

(51) **LOC (9) Cl.** **23-04**

(52) **U.S. Cl.** **D23/356**

(58) **Field of Classification Search** D23/355-366,
D23/352, 369, 332, 333, 335, 336, 342, 351;
422/120, 122; 55/356, 473, 504; 96/97;
D14/188, 170, 172; 261/DIG. 17, DIG. 65,
261/DIG. 88, DIG. 31; D18/34.6
See application file for complete search history.

(56) **References Cited**

U.S. PATENT DOCUMENTS

D453,560 S * 2/2002 Van Brunt D23/355
D456,887 S * 5/2002 Zlotnik D23/366
D460,167 S * 7/2002 Murray et al. D23/364
D572,351 S * 7/2008 Lewis D23/332

D580,039 S * 11/2008 Zlotnik et al. D23/366
D582,531 S * 12/2008 Israel et al. D23/356
D596,281 S * 7/2009 Schwartz et al. D23/366
D604,820 S * 11/2009 Cypress D23/332
D605,745 S * 12/2009 Chun et al. D23/359
D606,642 S * 12/2009 Weggelaar D23/366
D614,275 S * 4/2010 Davis et al. D23/363
D632,377 S * 2/2011 Blachford et al. D23/366
D636,478 S * 4/2011 Pininfarina D23/366

* cited by examiner

Primary Examiner — David Muller

(57) **CLAIM**

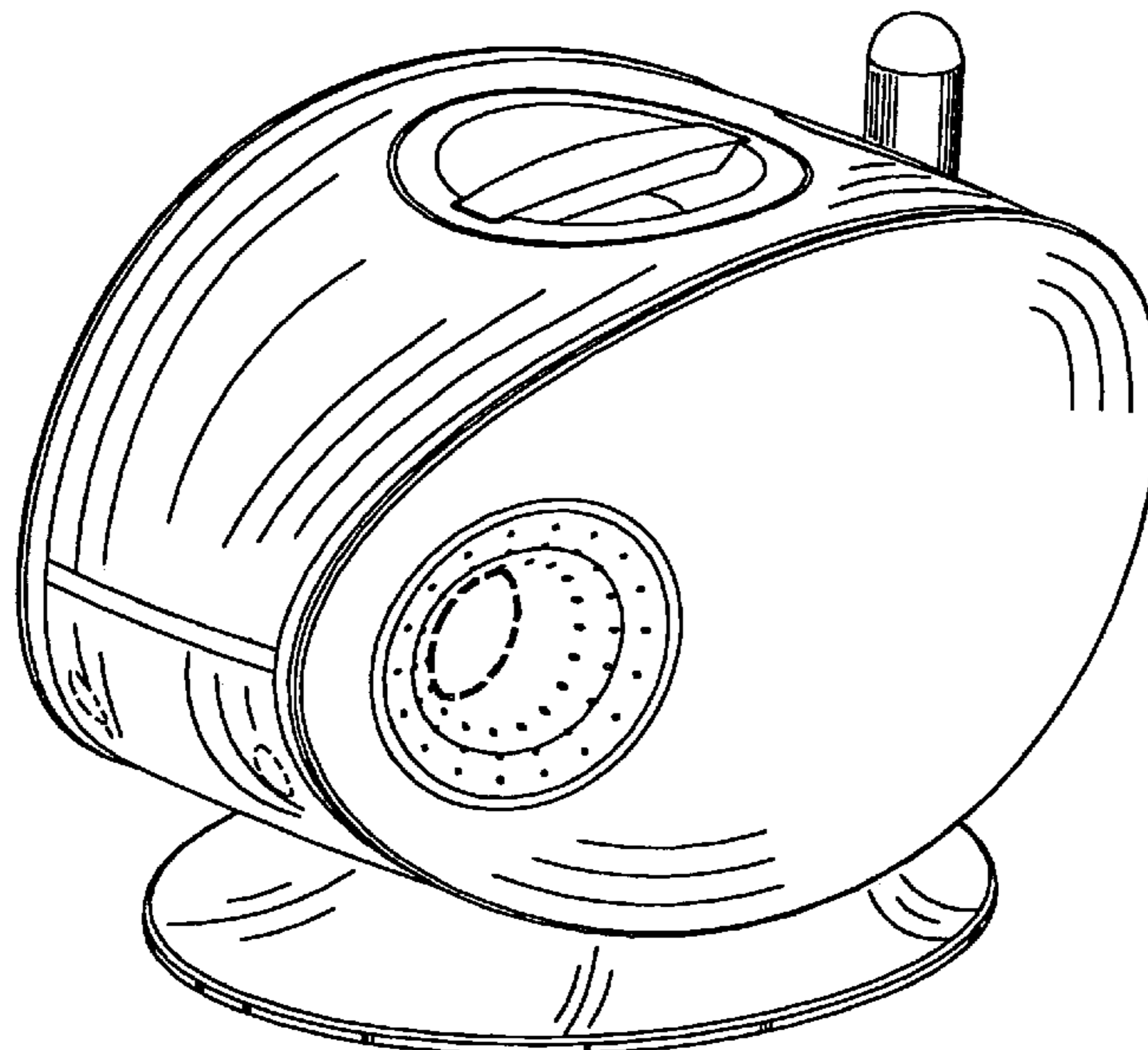
The ornamental design for a humidifier, as shown and described.

DESCRIPTION

FIG. 1 is a front elevational view of a humidifier showing my new design;
FIG. 2 is a rear elevational view thereof;
FIG. 3 is a left side view thereof;
FIG. 4 is a right side view thereof;
FIG. 5 is a top plan view thereof;
FIG. 6 is a bottom plan view thereof; and,
FIG. 7 is a perspective view thereof.

The dashed lines immediately adjacent to the claimed outside perimeter of the bottom of the base in FIG. 6 represent the boundaries of the claimed design. The dashed lines in the figures illustrate the portions of the design that form no part of the claimed design. None of the broken lines form any part of the claimed design.

1 Claim, 4 Drawing Sheets



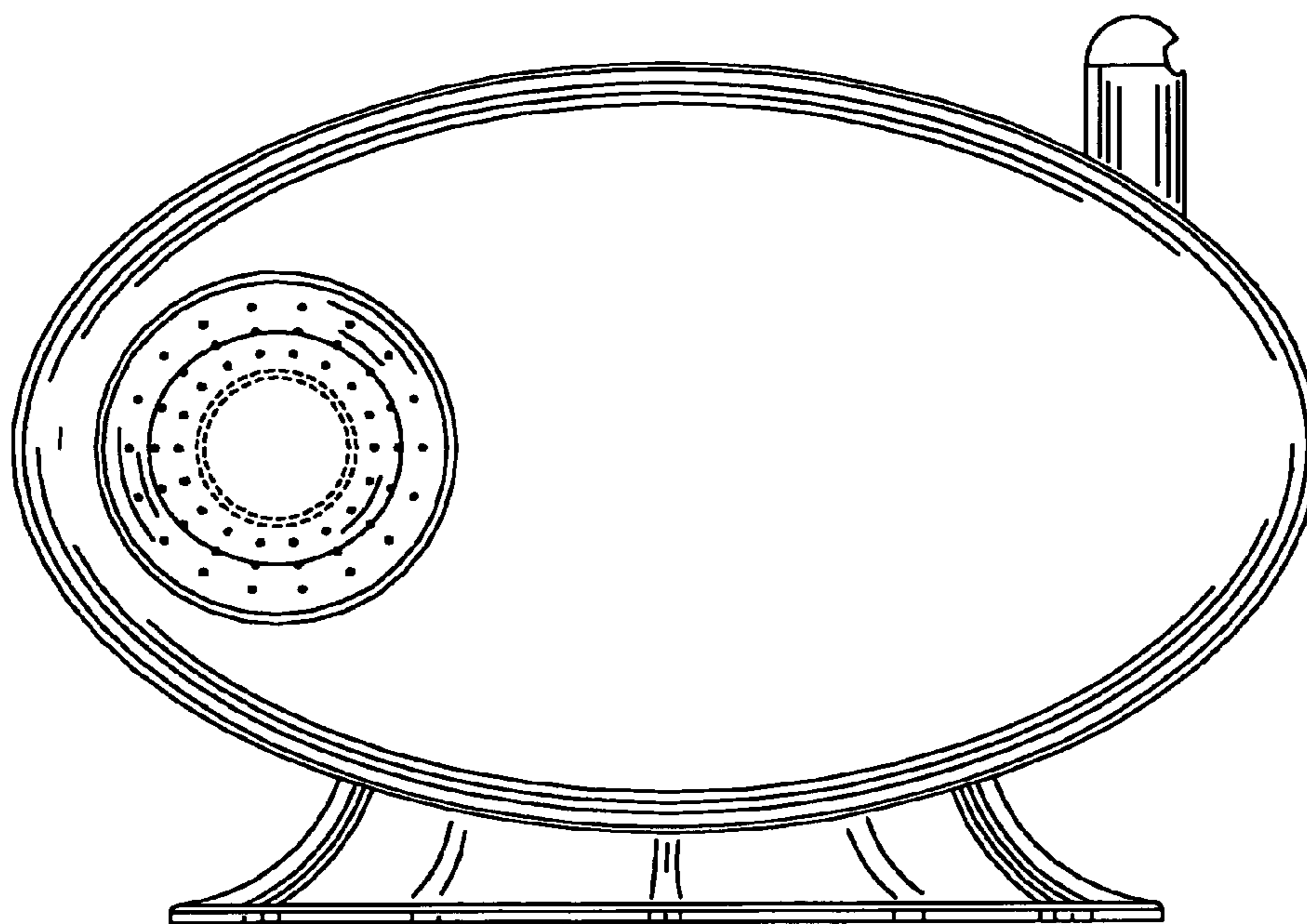


FIG. 1

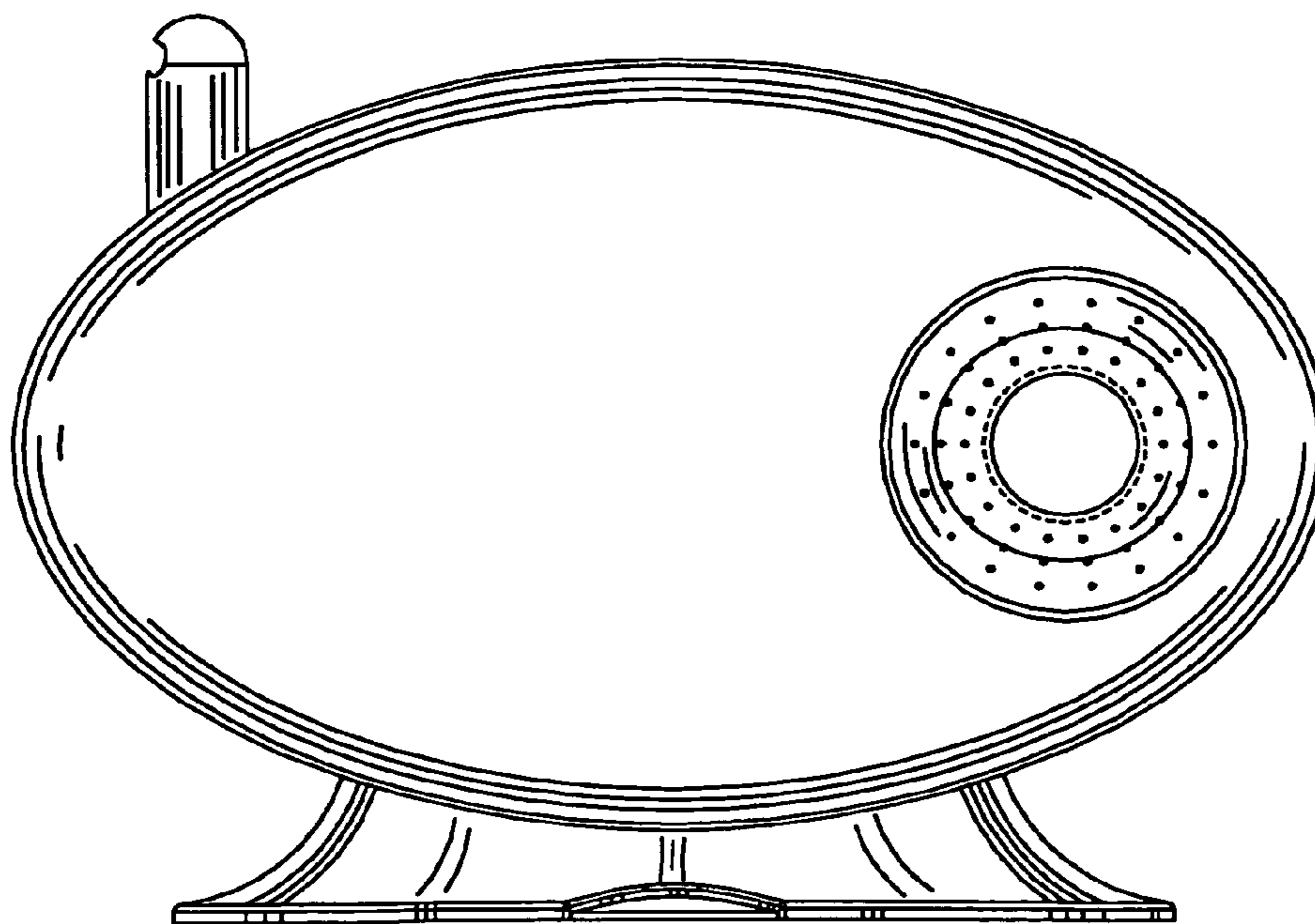


FIG. 2

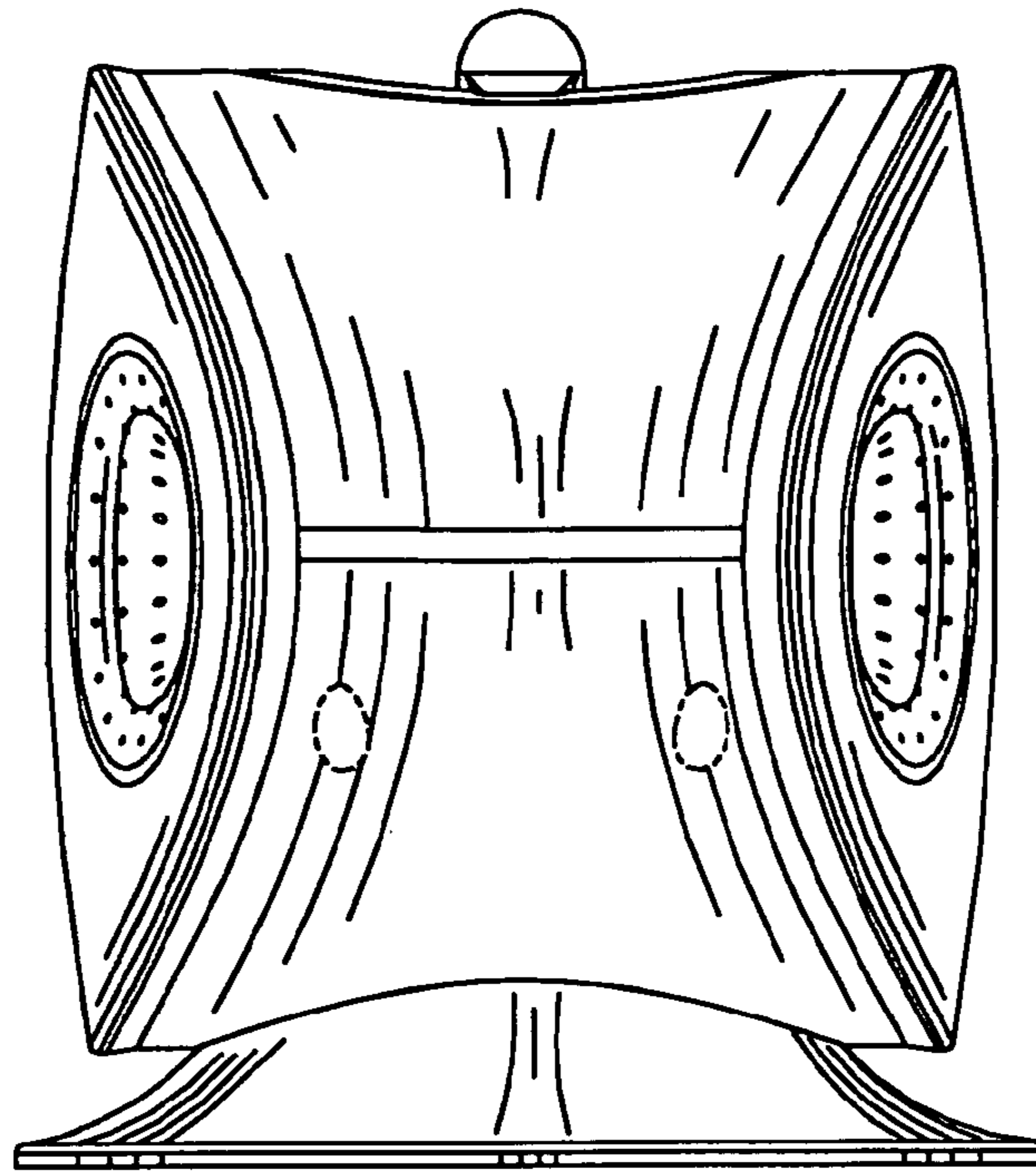


FIG. 3

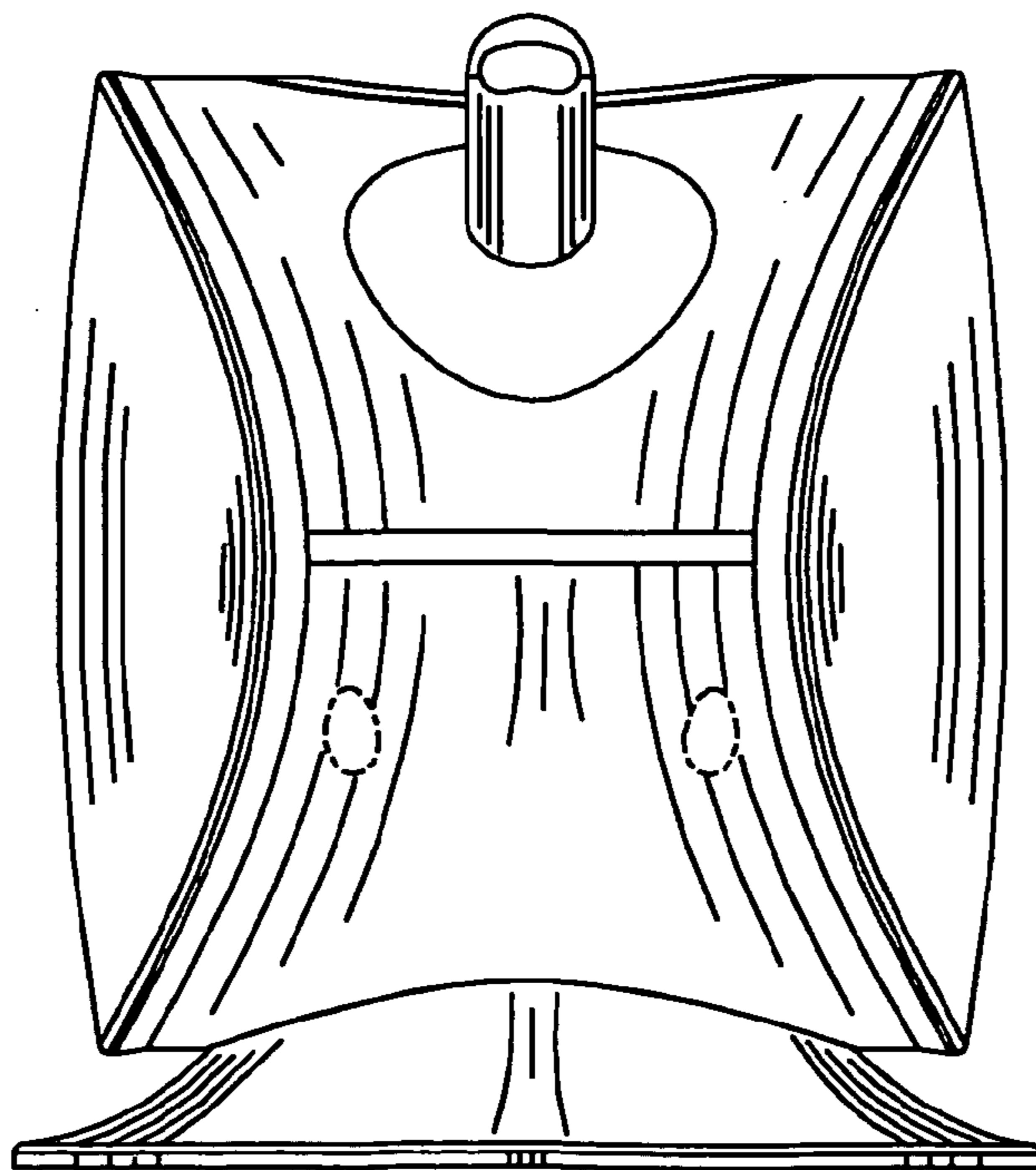


FIG. 4

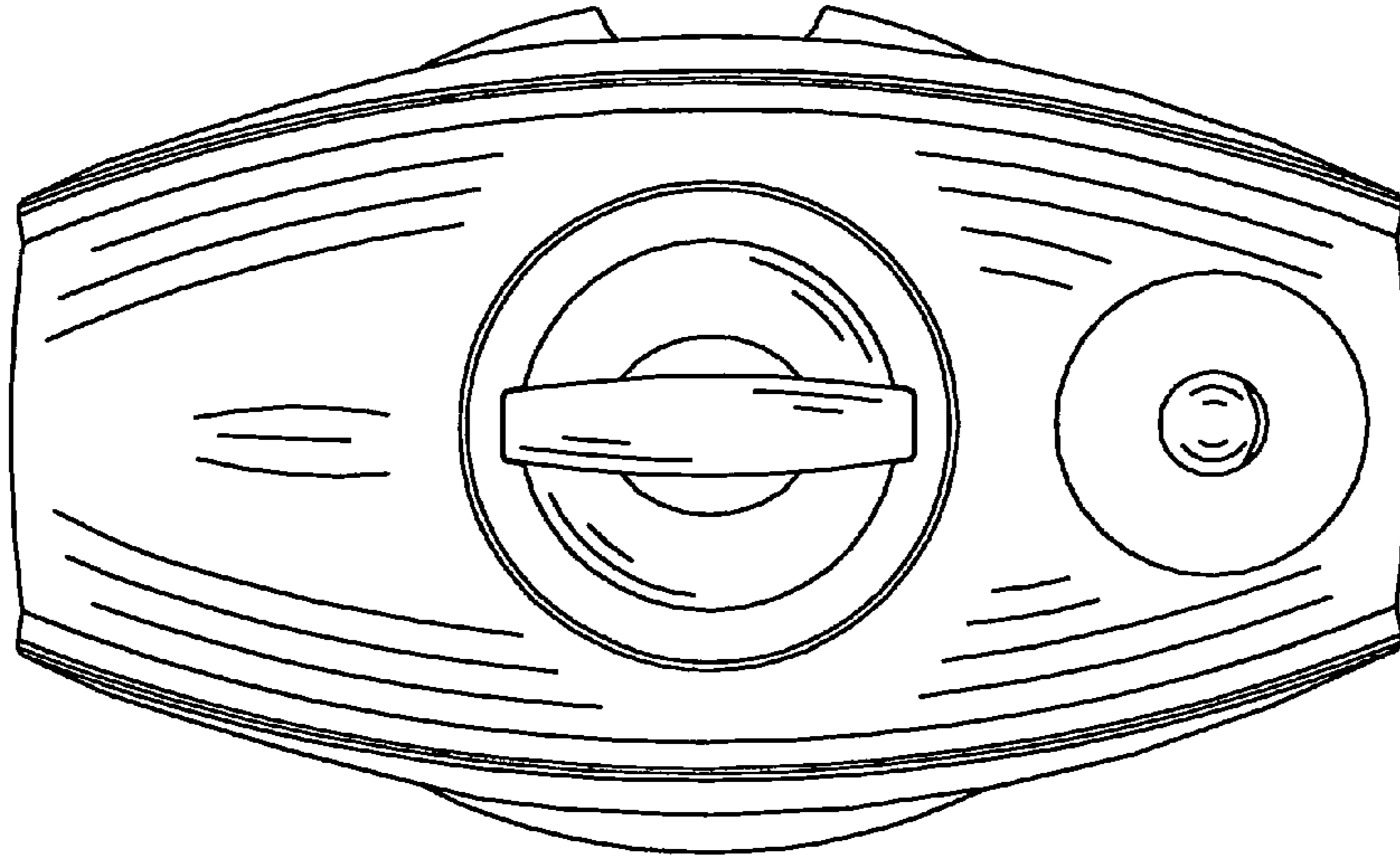


FIG. 5

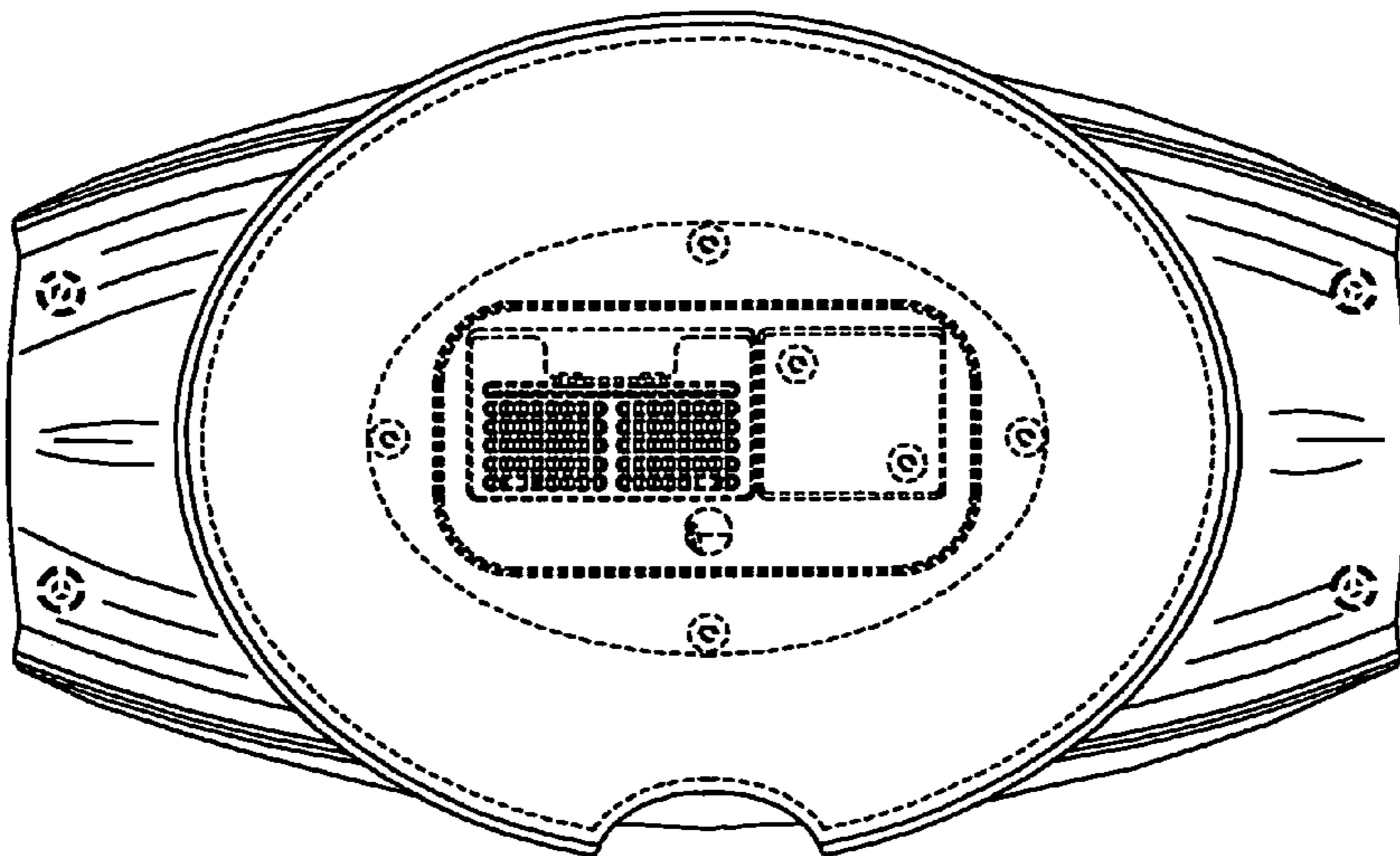


FIG. 6

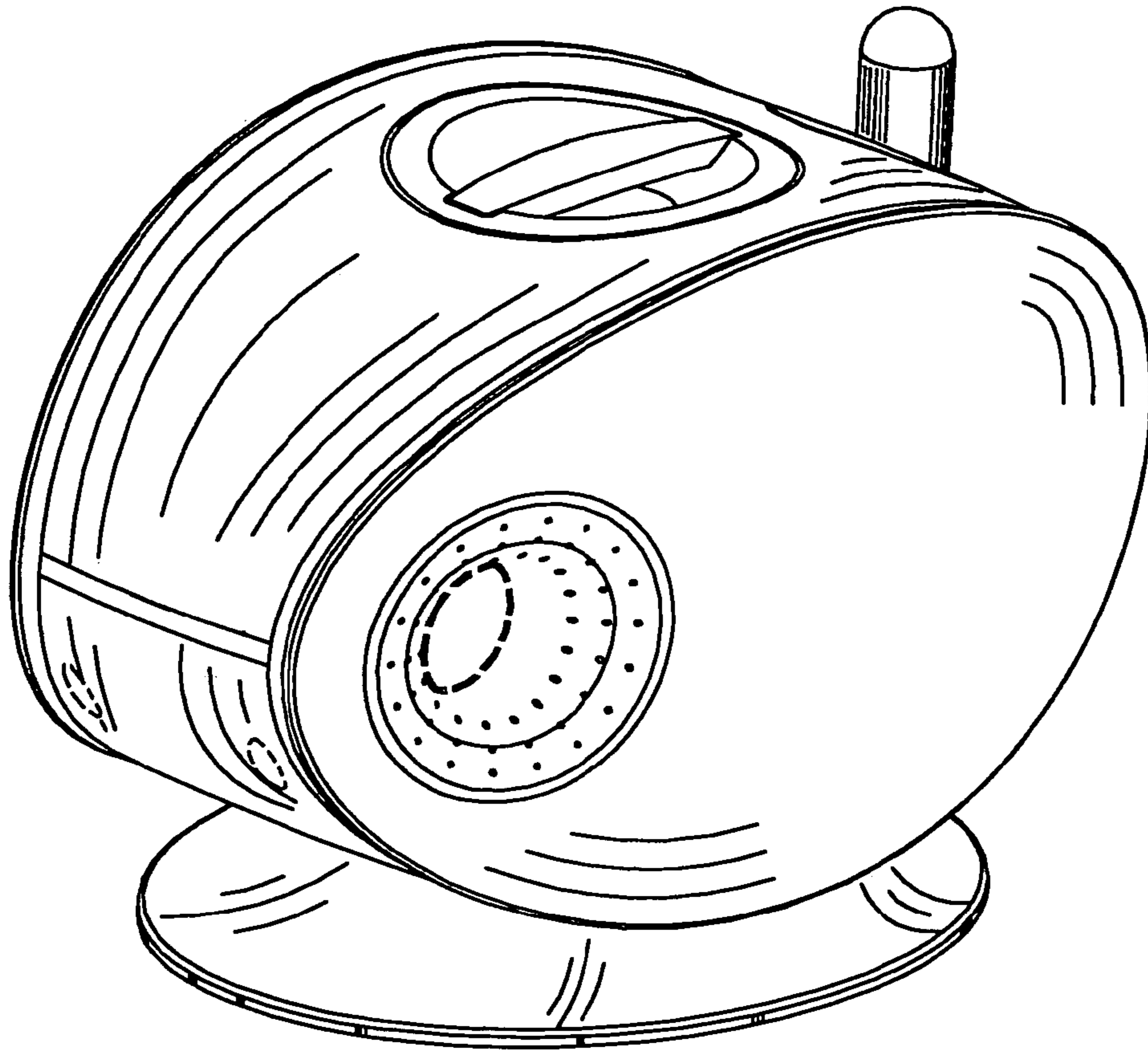


FIG. 7