



US00D656596S

(12) **United States Design Patent**
Kim et al.

(10) **Patent No.:** **US D656,596 S**
(45) **Date of Patent:** **** Mar. 27, 2012**

(54) **AIR CONDITIONER**

(75) Inventors: **Taeil Kim**, Seoul (KR); **Seungho Baek**, Seoul (KR); **Gangui Cho**, Seoul (KR); **Sehwan Bae**, Gyeonggi-do (KR); **Joogyeon Kim**, Seoul (KR); **Hyein Jung**, Seoul (KR); **Jaewon Jeong**, Seoul (KR)

(73) Assignee: **LG Electronics Inc.**, Seoul (KR)

(**) Term: **14 Years**

(21) Appl. No.: **29/407,521**

(22) Filed: **Nov. 30, 2011**

(30) **Foreign Application Priority Data**

Jun. 1, 2011 (KR) 30-2011-0022449

(51) **LOC (9) Cl.** **23-04**

(52) **U.S. Cl.** **D23/351**

(58) **Field of Classification Search** D23/351-354, D23/385, 355, 357, 361; 312/236; 62/259.1, 62/259.4, 262-263, 304; 454/330-331, 349-350
See application file for complete search history.

(56) **References Cited**

U.S. PATENT DOCUMENTS

D566,254 S * 4/2008 Lim D23/351
D580,534 S * 11/2008 Oh et al. D23/351

D584,806 S * 1/2009 Oh et al. D23/351
D605,266 S * 12/2009 Nakamura et al. D23/351
D613,842 S * 4/2010 Yamashita D23/351
D641,848 S * 7/2011 Seki D23/351
D642,250 S * 7/2011 Chouji D23/351
D648,012 S * 11/2011 Baek et al. D23/351
D648,014 S * 11/2011 Baek et al. D23/351

* cited by examiner

Primary Examiner — Brian N Vinson

(74) *Attorney, Agent, or Firm* — Morgan, Lewis & Bockius LLP

(57) **CLAIM**

The ornamental design for an air conditioner, as shown and described.

DESCRIPTION

FIG. 1 is a perspective view of an air conditioner showing our new design;

FIG. 2 is a front view thereof;

FIG. 3 is a rear view thereof;

FIG. 4 is a left side view thereof;

FIG. 5 is a right side view thereof;

FIG. 6 is a top plan view thereof;

FIG. 7 is a bottom plan view thereof;

FIG. 8 is a perspective view thereof showing the state of operating; and,

FIG. 9 is a bottom perspective view of FIG. 8.

1 Claim, 8 Drawing Sheets

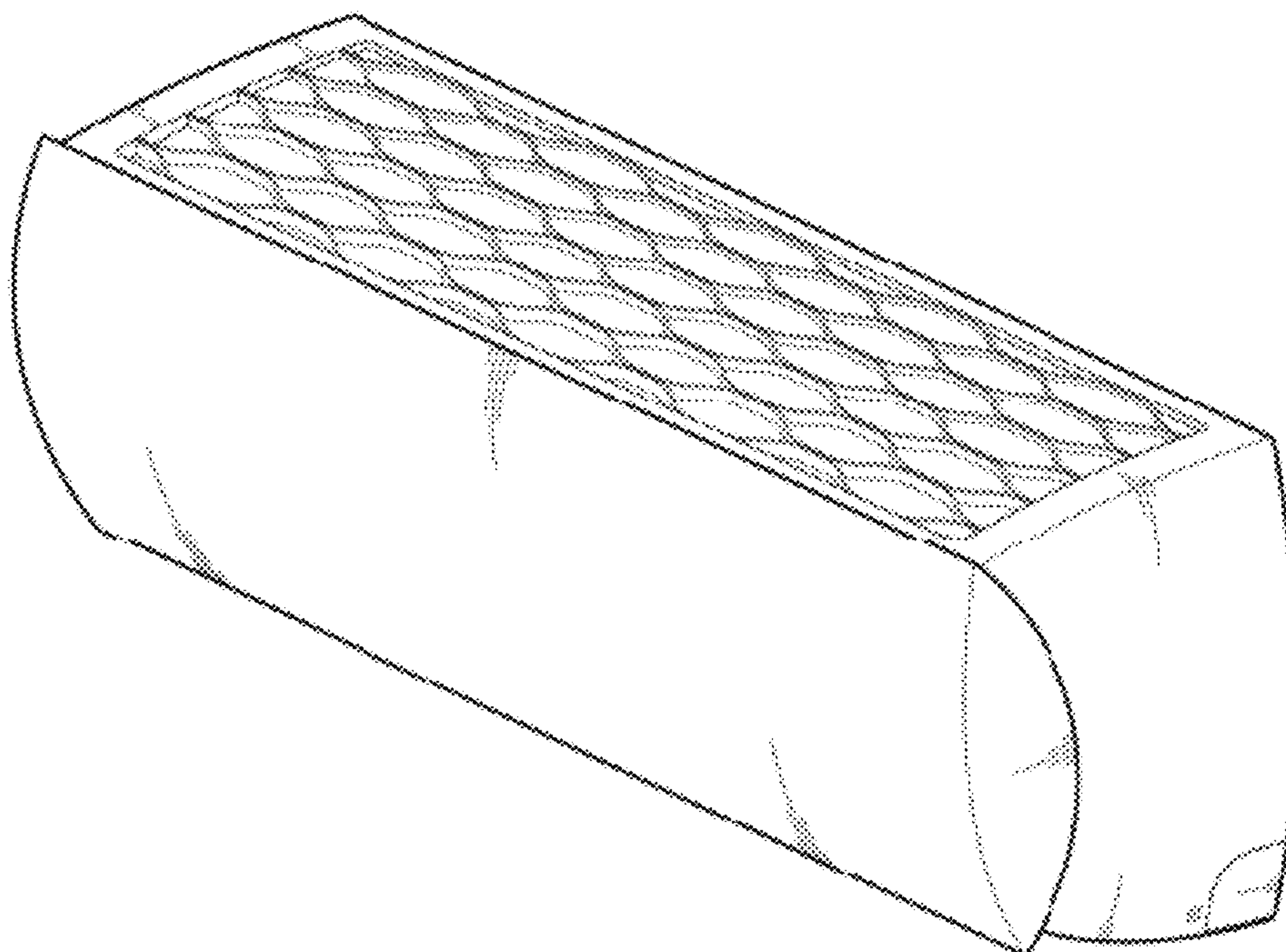


FIG. 1

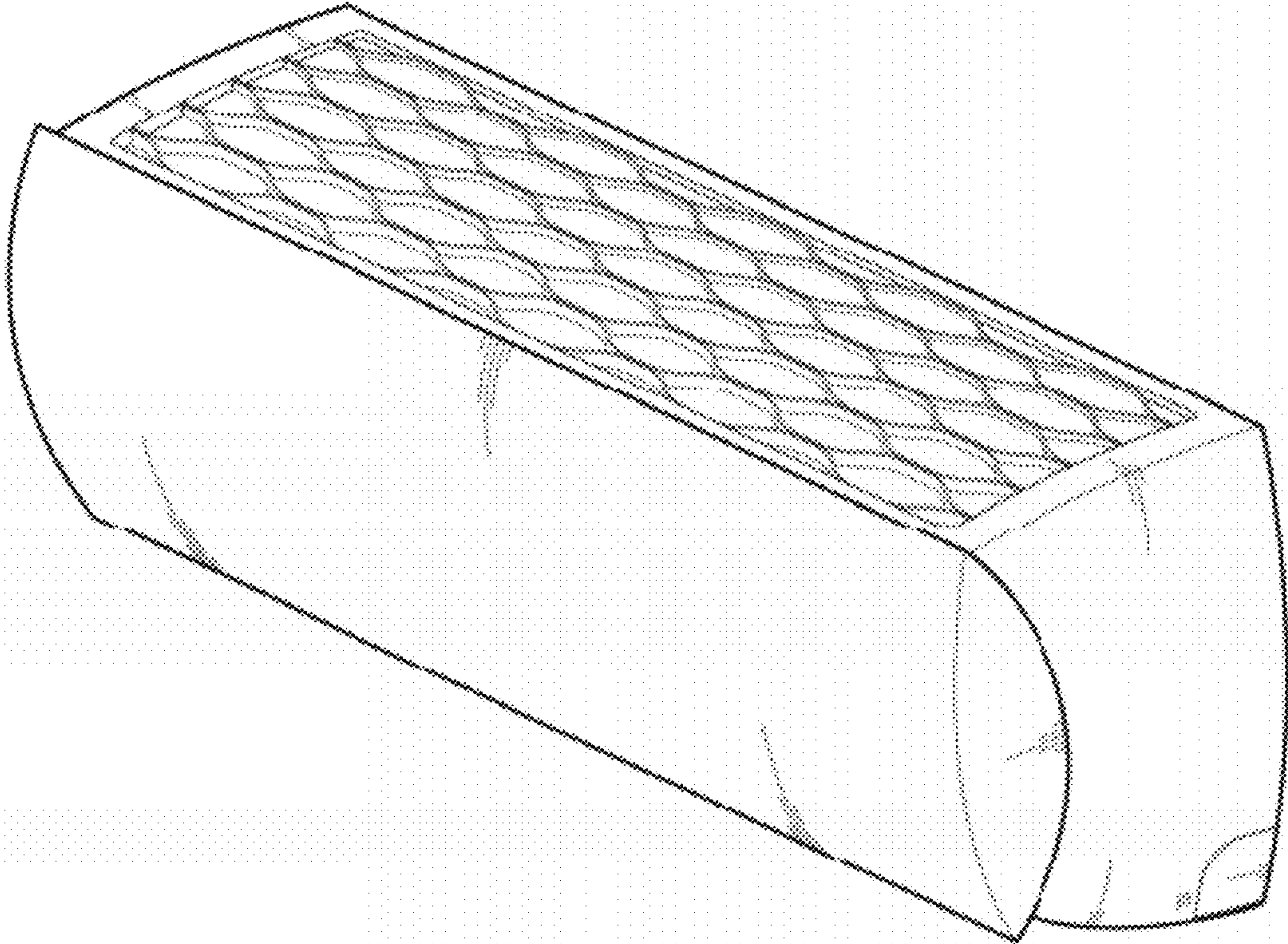


FIG. 2

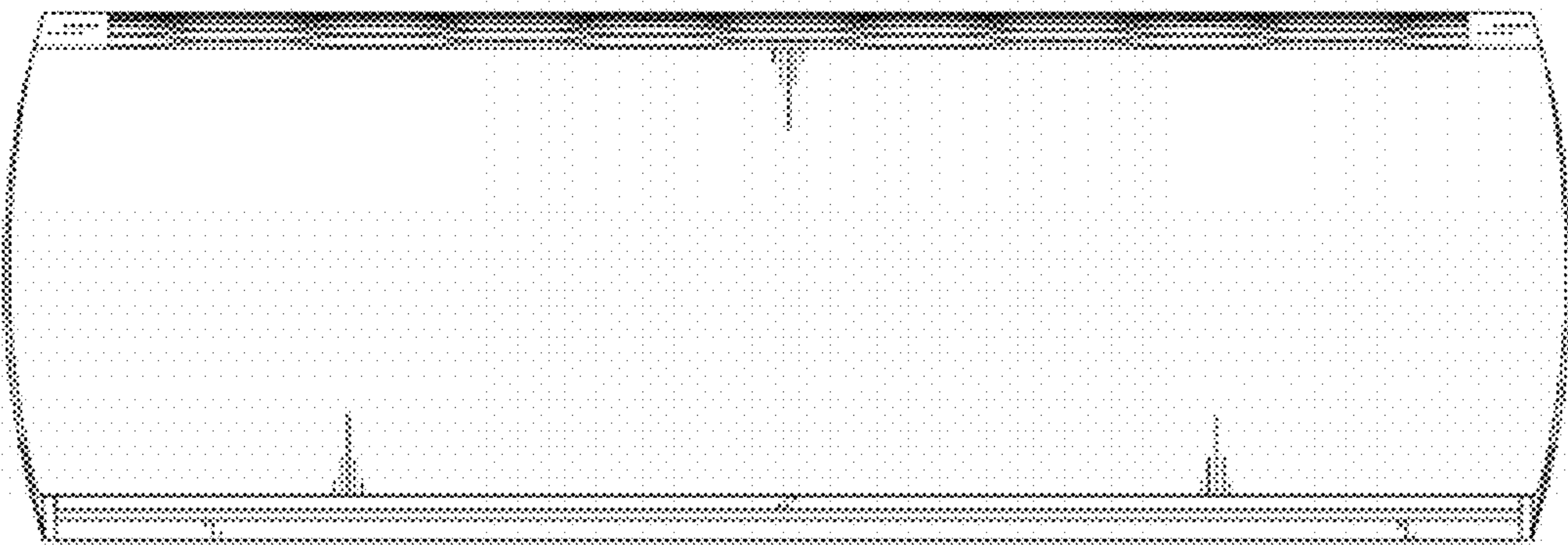


FIG. 3

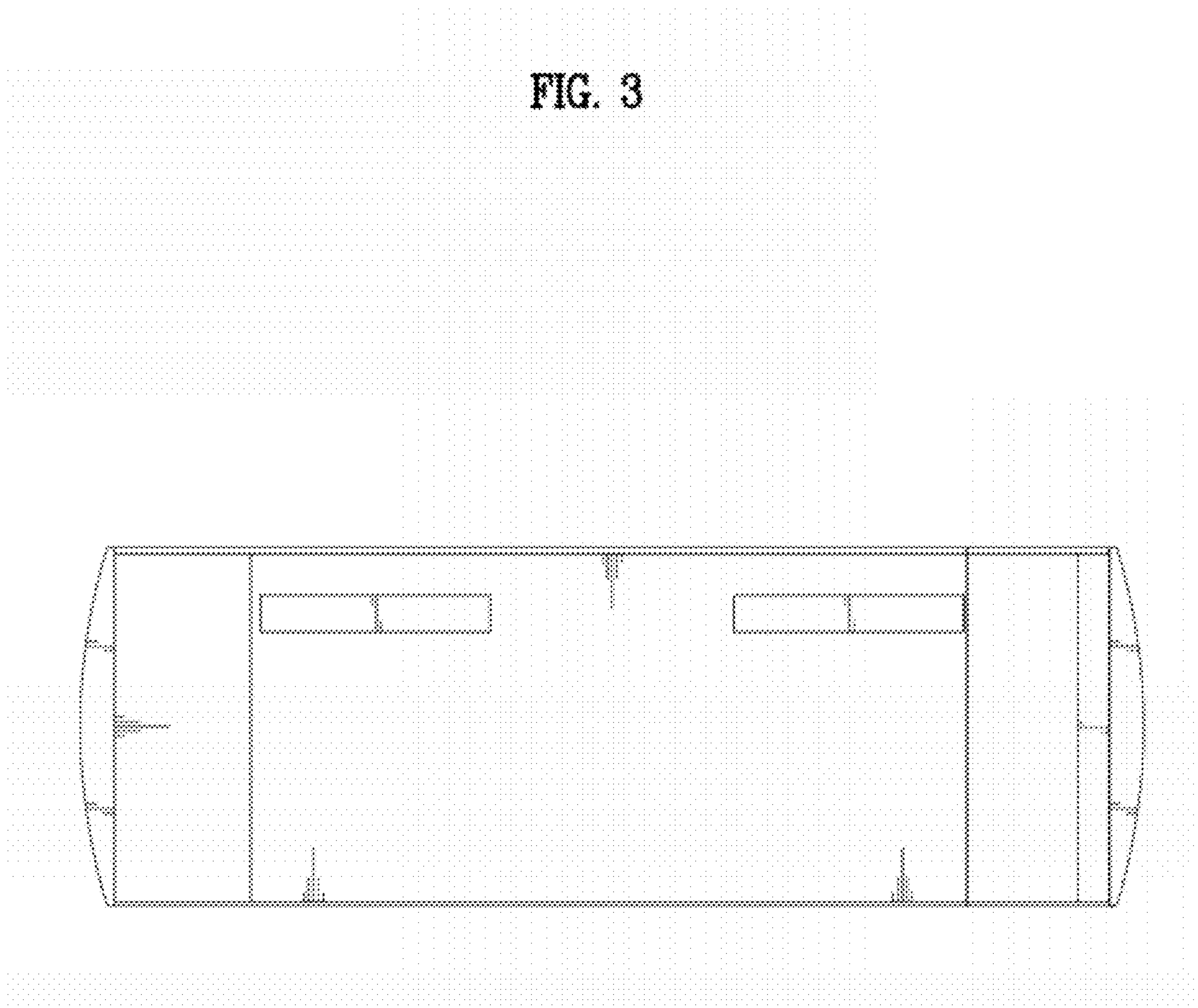


FIG. 4

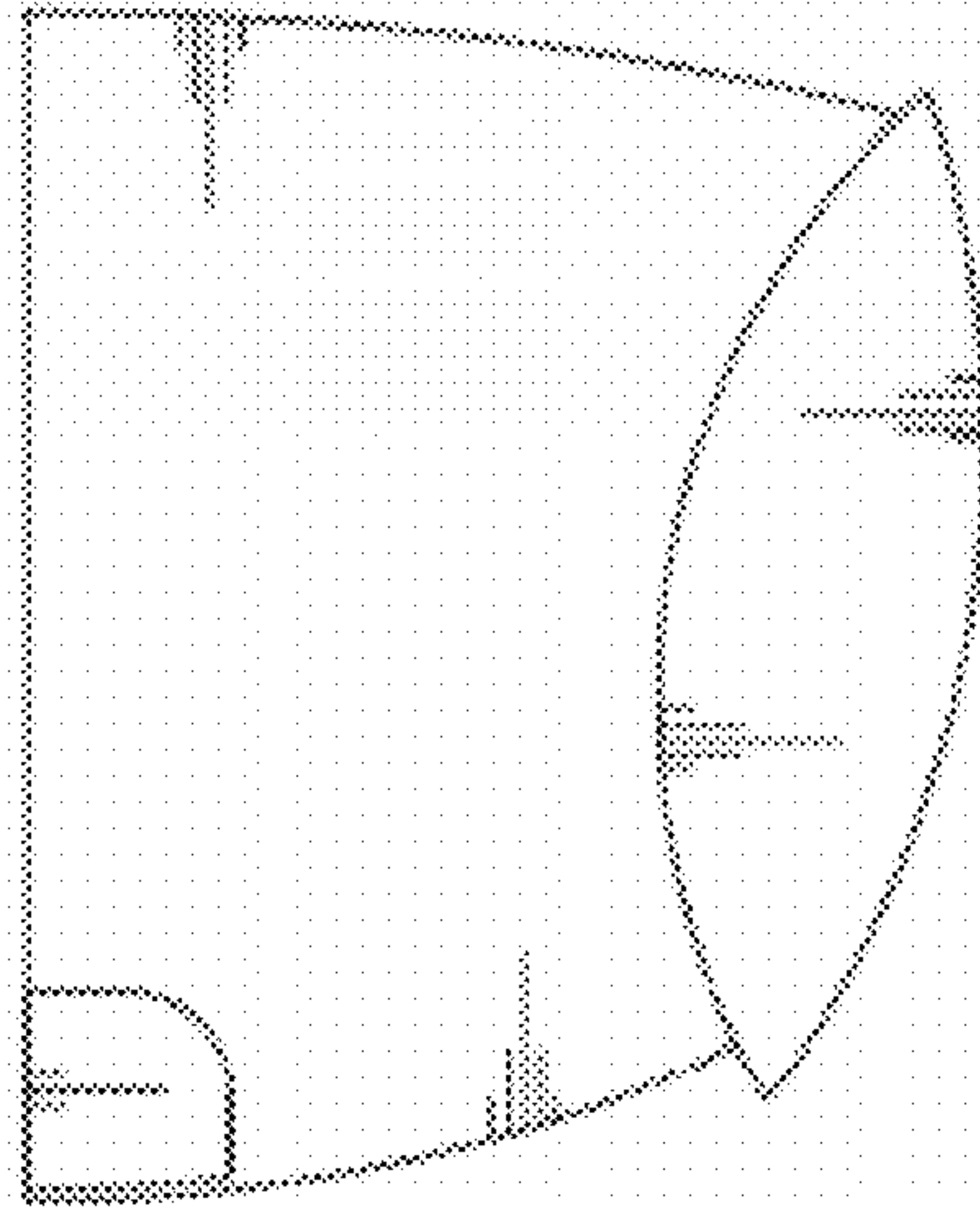


FIG. 5

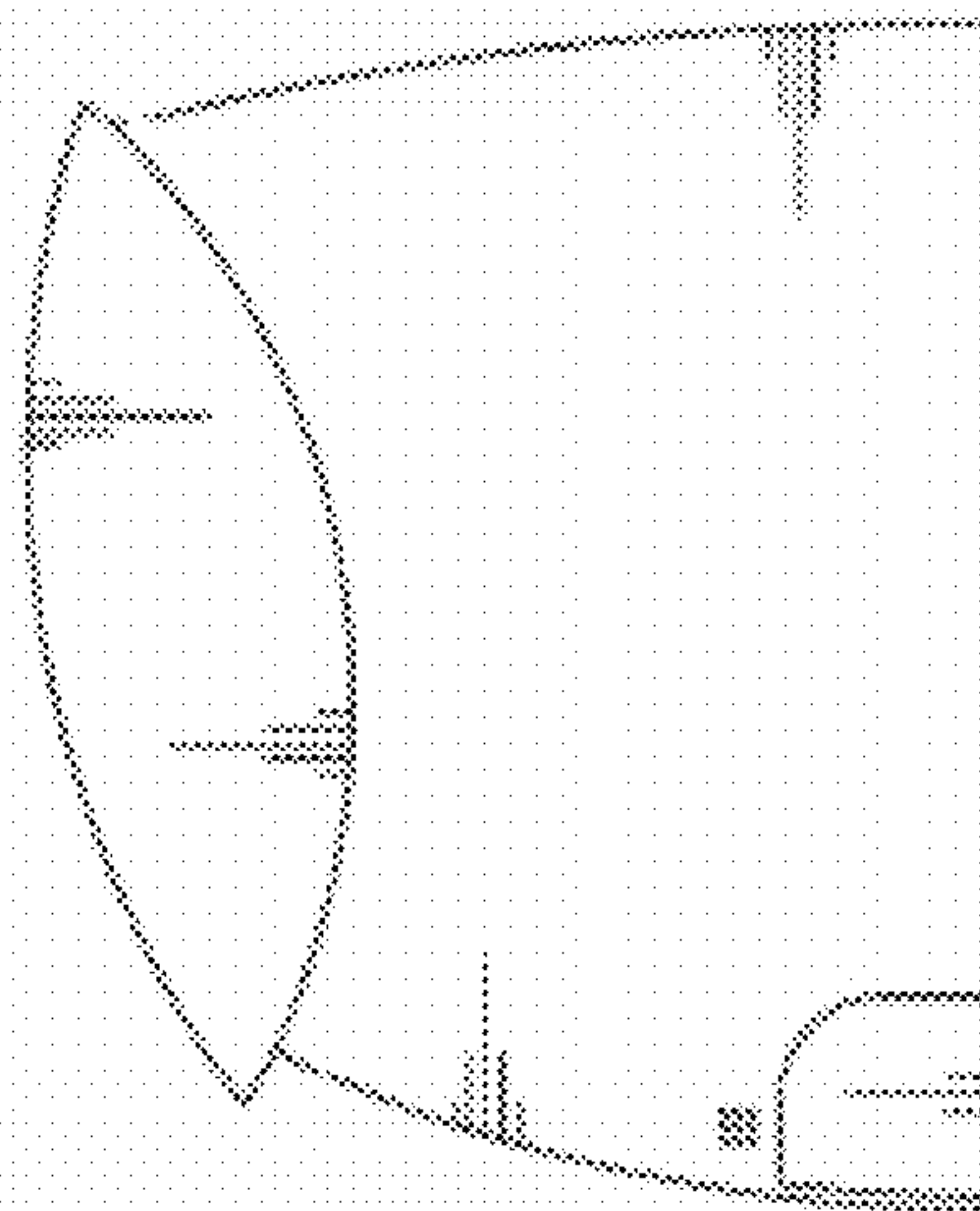


FIG. 6

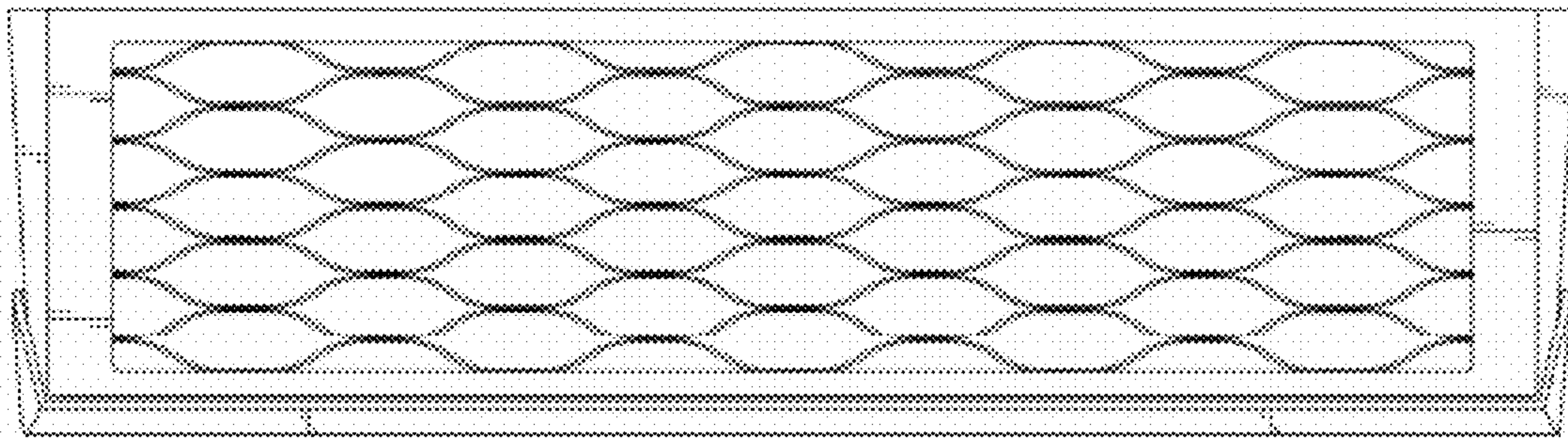


FIG. 7

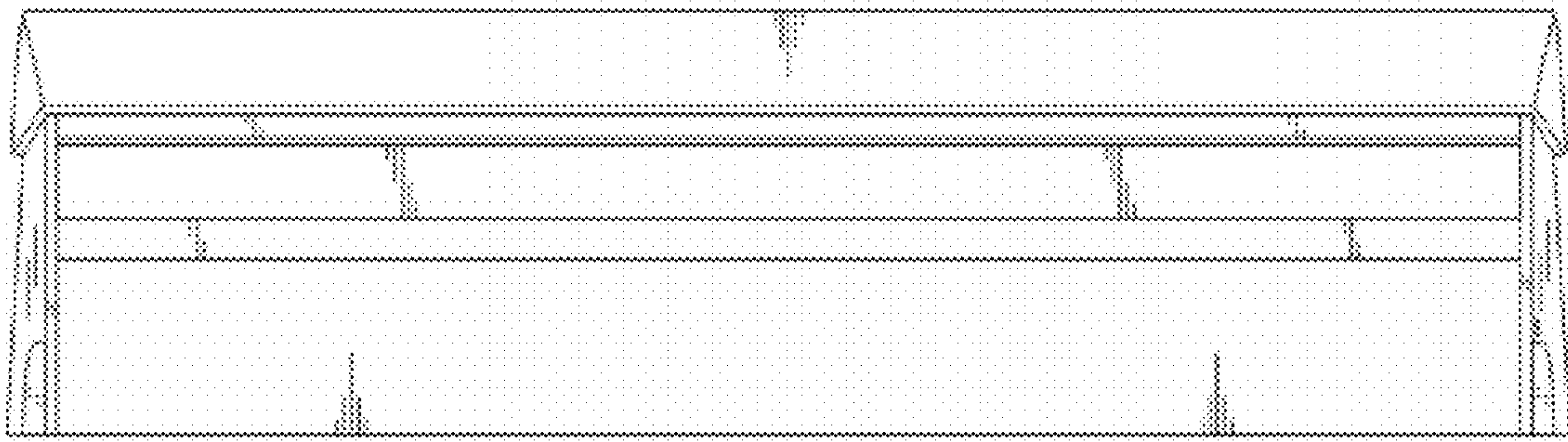


FIG. 8

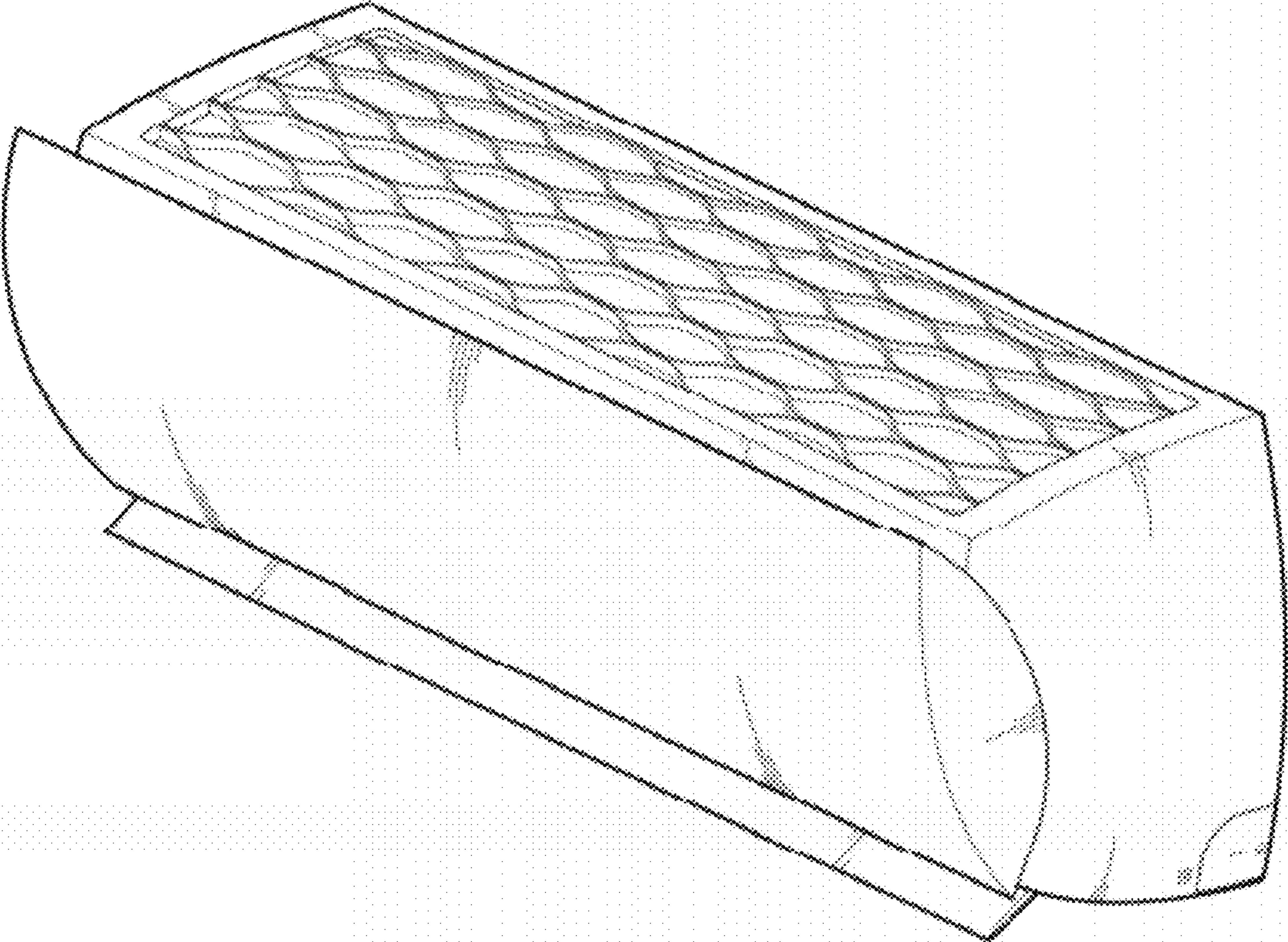


FIG. 9

