

US00D656595S

(12) **United States Design Patent**
Yen

(10) **Patent No.:** **US D656,595 S**
(45) **Date of Patent:** **** Mar. 27, 2012**

(54) **FUEL HEATER**

(75) Inventor: **Wen Chang Yen**, Kaohsiung (TW)

(73) Assignee: **Allgreen Designs Co., Ltd.**, Kaohsiung (TW)

(**) Term: **14 Years**

(21) Appl. No.: **29/391,978**

(22) Filed: **May 16, 2011**

(30) **Foreign Application Priority Data**

Mar. 9, 2011 (TW) 100301114

(51) **LOC (9) Cl.** **23-03**

(52) **U.S. Cl.** **D23/332**

(58) **Field of Classification Search** D23/317,
D23/314, 332, 333, 334, 335, 337, 342, 351,
D23/355, 378, 370, 381, 364, 336, 341, 318,
D23/319, 322, 329; 416/244 R, 247 R, 53.1-53.3;
392/365, 367

See application file for complete search history.

(56) **References Cited**

U.S. PATENT DOCUMENTS

D25,213 S * 3/1896 Fish D23/319
D342,124 S * 12/1993 Svendsen et al. D23/319

D382,951 S * 8/1997 Deines et al. D23/336
D502,767 S * 3/2005 Blateri D23/336
D504,941 S * 5/2005 Blateri D23/335
2005/0196719 A1 * 9/2005 Mills et al. 431/344
2009/0120925 A1 * 5/2009 Lasko 219/386

* cited by examiner

Primary Examiner — T. Chase Nelson

Assistant Examiner — Ania Aman

(74) *Attorney, Agent, or Firm* — Kirschstein, et al.

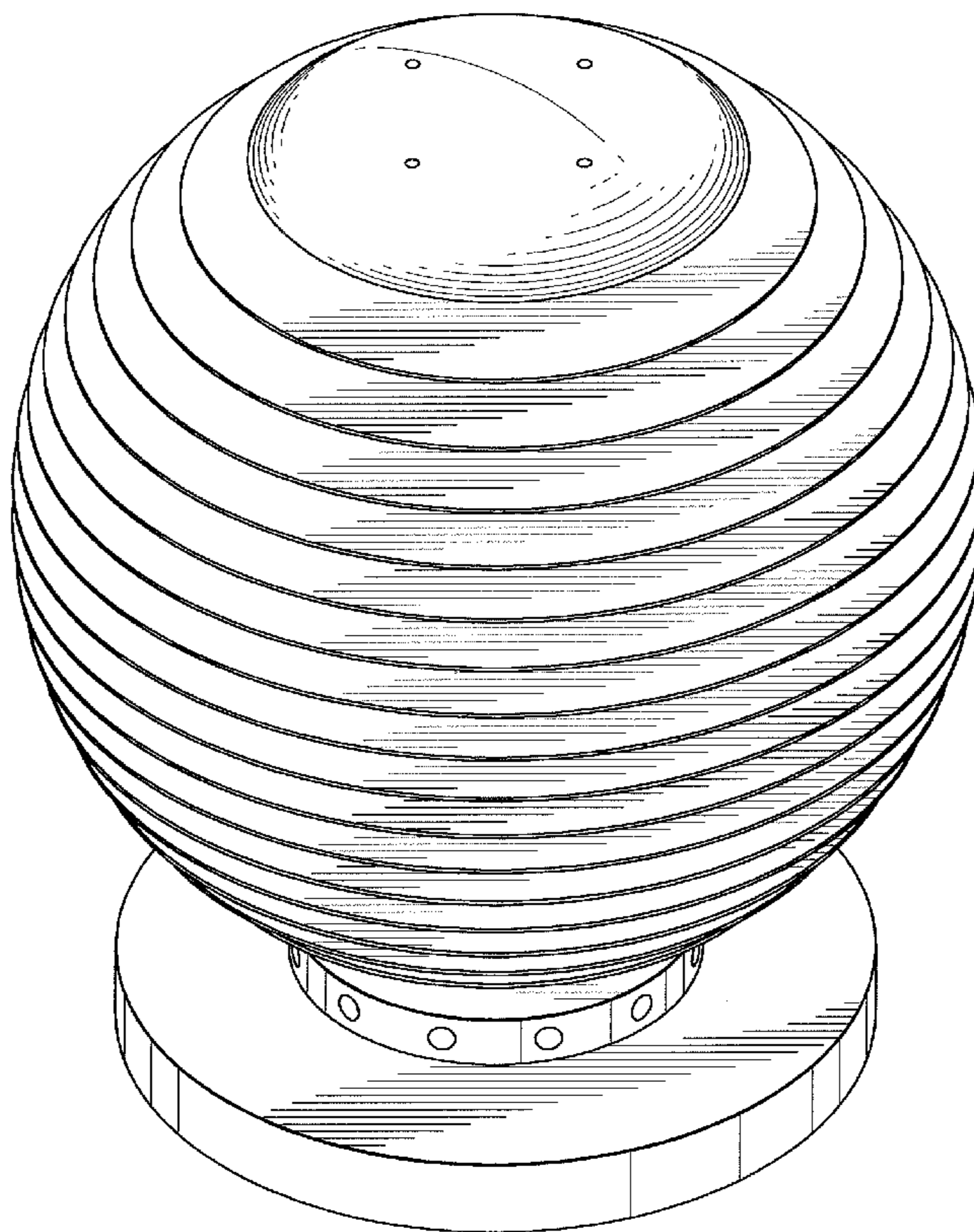
(57) **CLAIM**

The ornamental design for fuel heater, as shown and described.

DESCRIPTION

FIG. 1 is a perspective view of fuel heater showing my new design;
FIG. 2 is a front elevational view thereof;
FIG. 3 is a top plan view thereof;
FIG. 4 is a bottom plan view thereof; and,
FIG. 5 is a perspective view in use.
The portions shown in dashed lines are for illustrative purposes only and form no part of the claimed design.

1 Claim, 5 Drawing Sheets



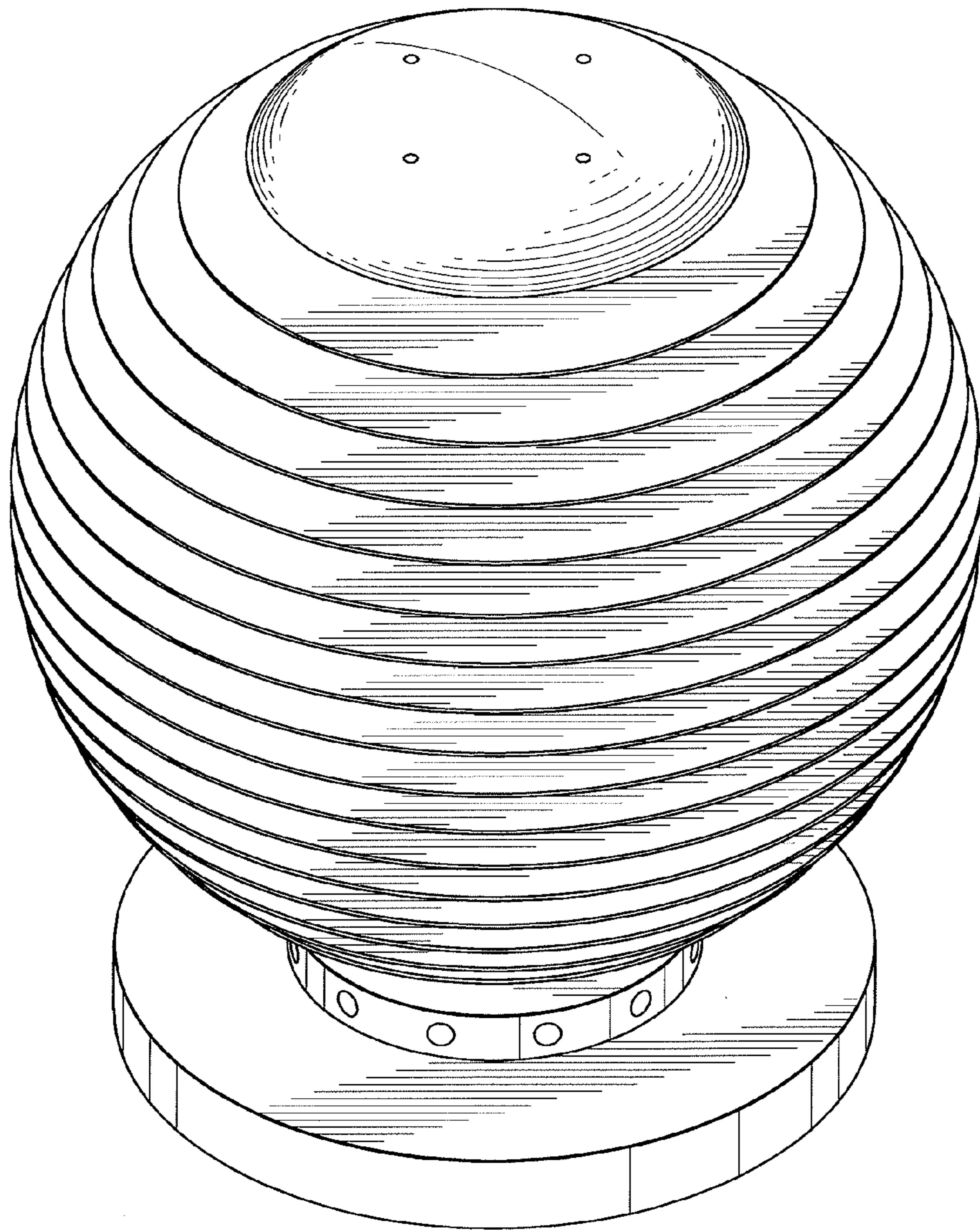


FIG. 1

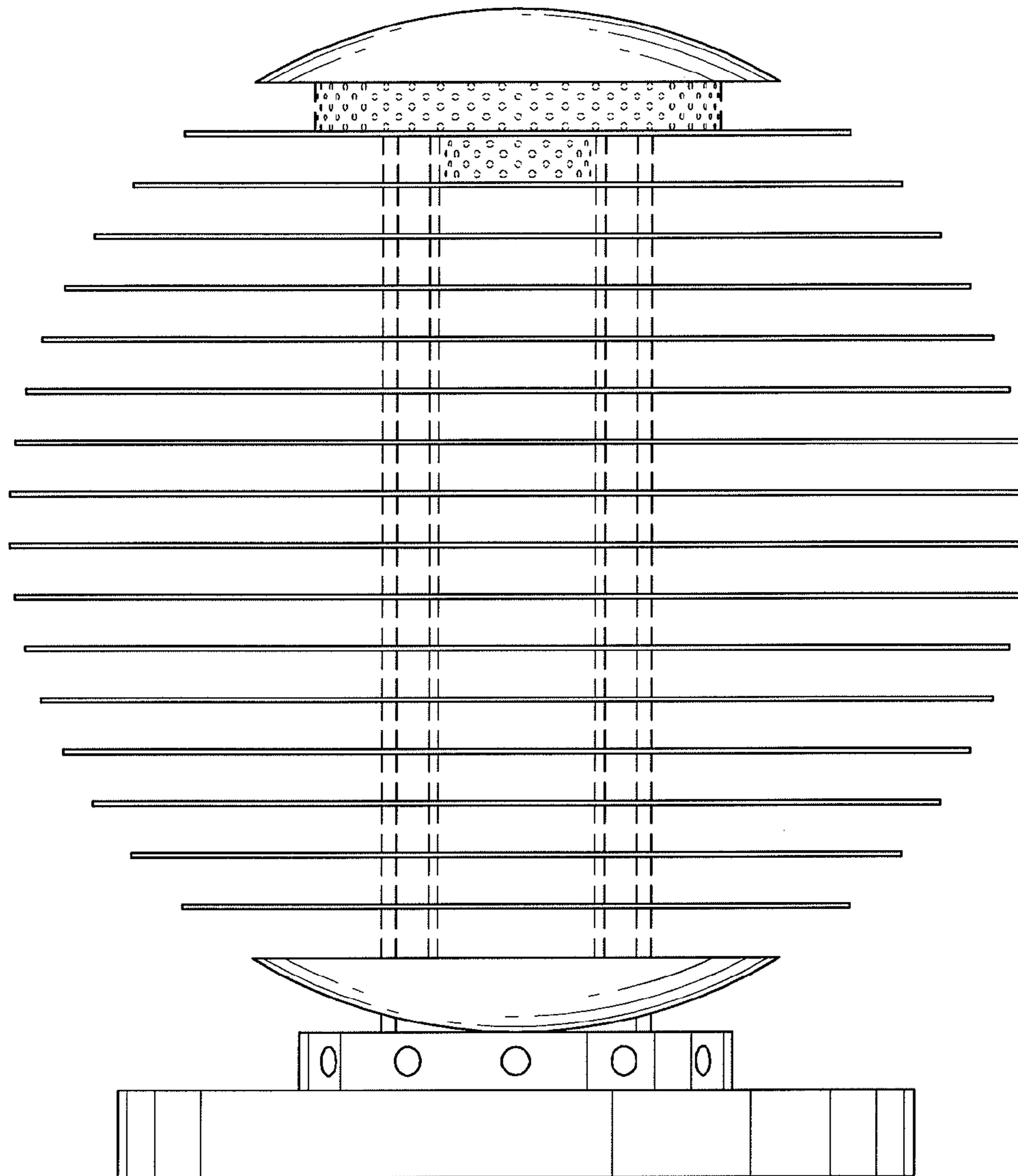


FIG. 2

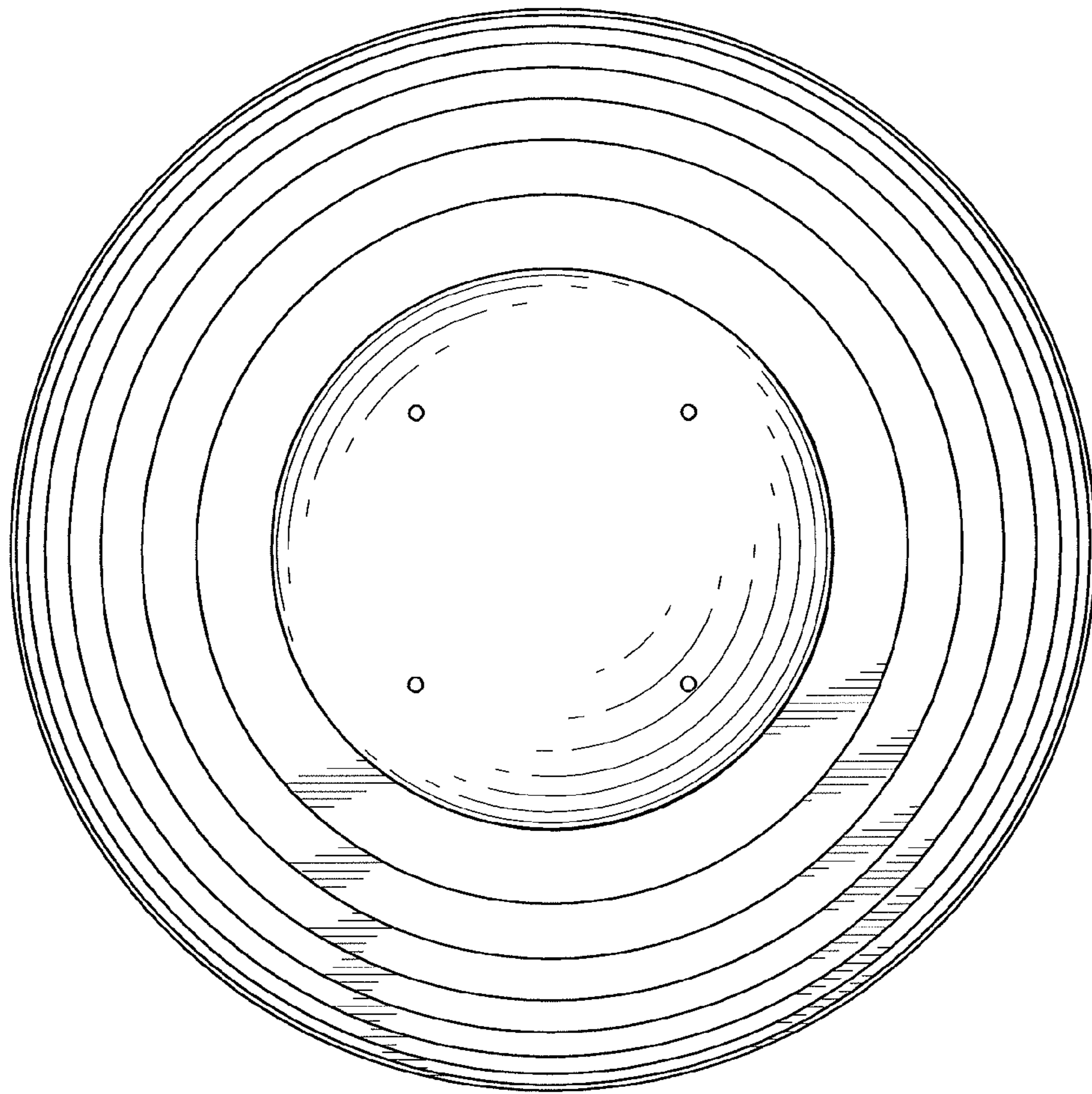


FIG. 3

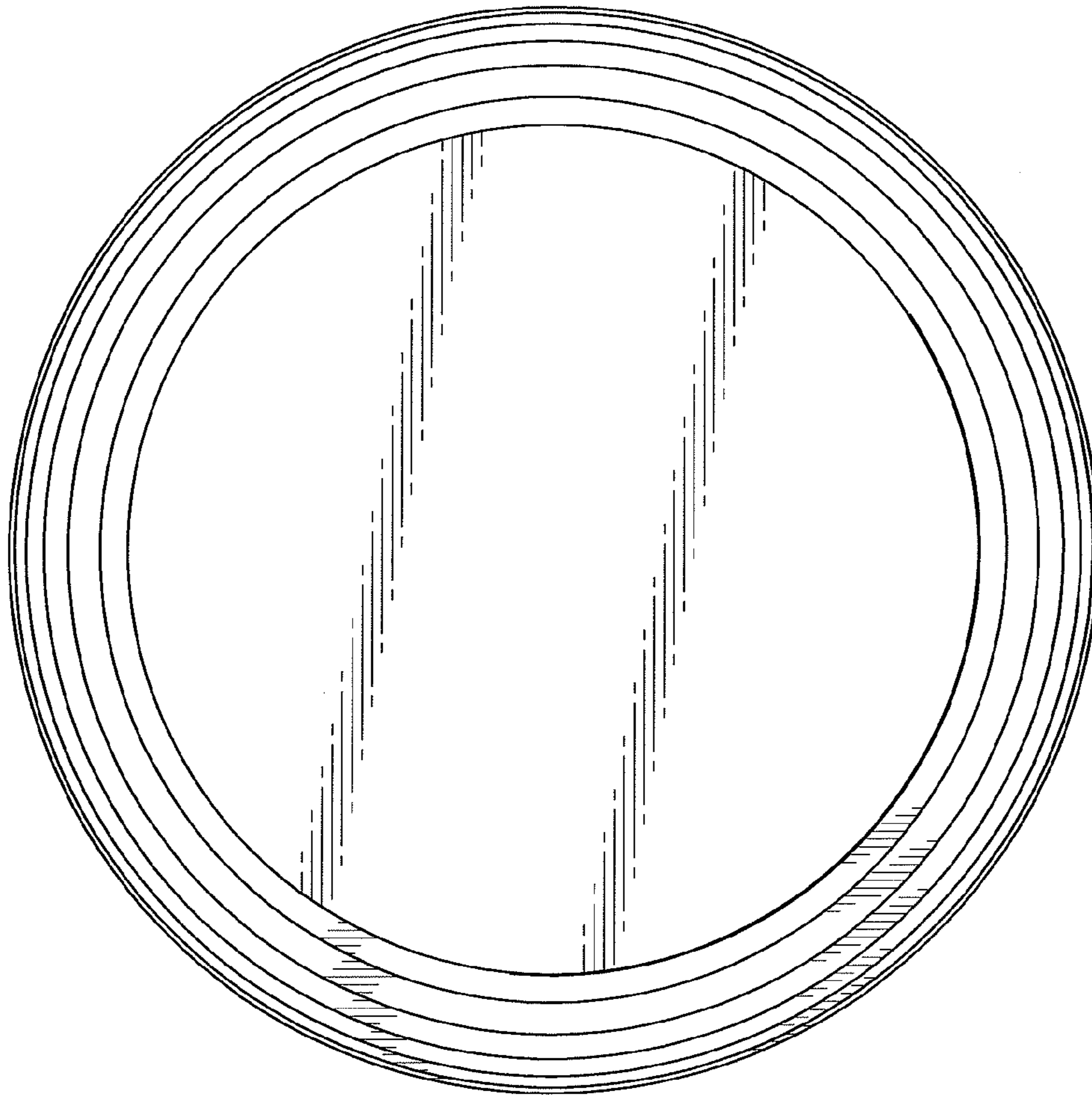


FIG. 4

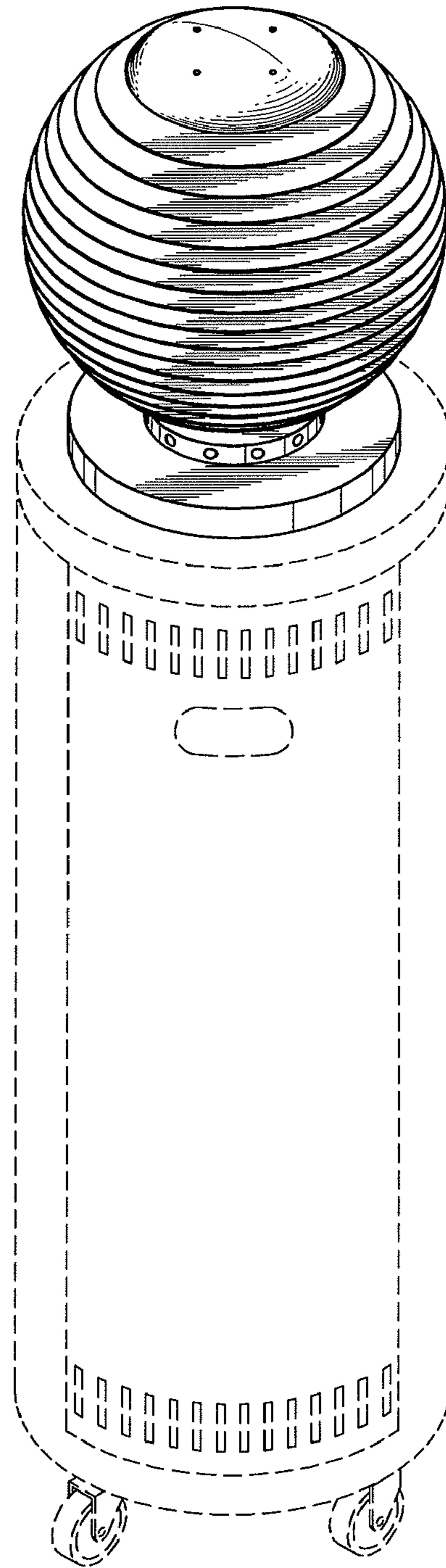


FIG. 5