



US00D656592S

(12) **United States Design Patent**  
**Vanderheyden et al.**

(10) **Patent No.:** **US D656,592 S**  
(45) **Date of Patent:** **\*\* Mar. 27, 2012**

(54) **LAVATORY**

(75) Inventors: **Jacob P. Vanderheyden**, Sheboygan, WI (US); **Jacob Lusson**, Clayton, MO (US); **Nicholas Paterson**, Whitefish Bay, WI (US)

(73) Assignee: **Kohler Co.**, Kohler, WI (US)

(\*\*) Term: **14 Years**

(21) Appl. No.: **29/385,781**

(22) Filed: **Feb. 18, 2011**

(51) **LOC (9) Cl.** ..... **23-02**

(52) **U.S. Cl.** ..... **D23/293.1**

(58) **Field of Classification Search** ..... D23/284,  
D23/286, 291, 292, 293.1, 308, 303; 4/619  
See application file for complete search history.

(56) **References Cited**

U.S. PATENT DOCUMENTS

D222,541 S	*	11/1971	Ruggles	.....	D23/293.1
D399,935 S	*	10/1998	Nagato	.....	D23/293.1
D470,930 S	*	2/2003	Tani	.....	D23/293.1
D521,616 S	*	5/2006	Bates	.....	D23/293.1

\* cited by examiner

*Primary Examiner* — Robert Delehanty

(74) *Attorney, Agent, or Firm* — Foley & Lardner LLP

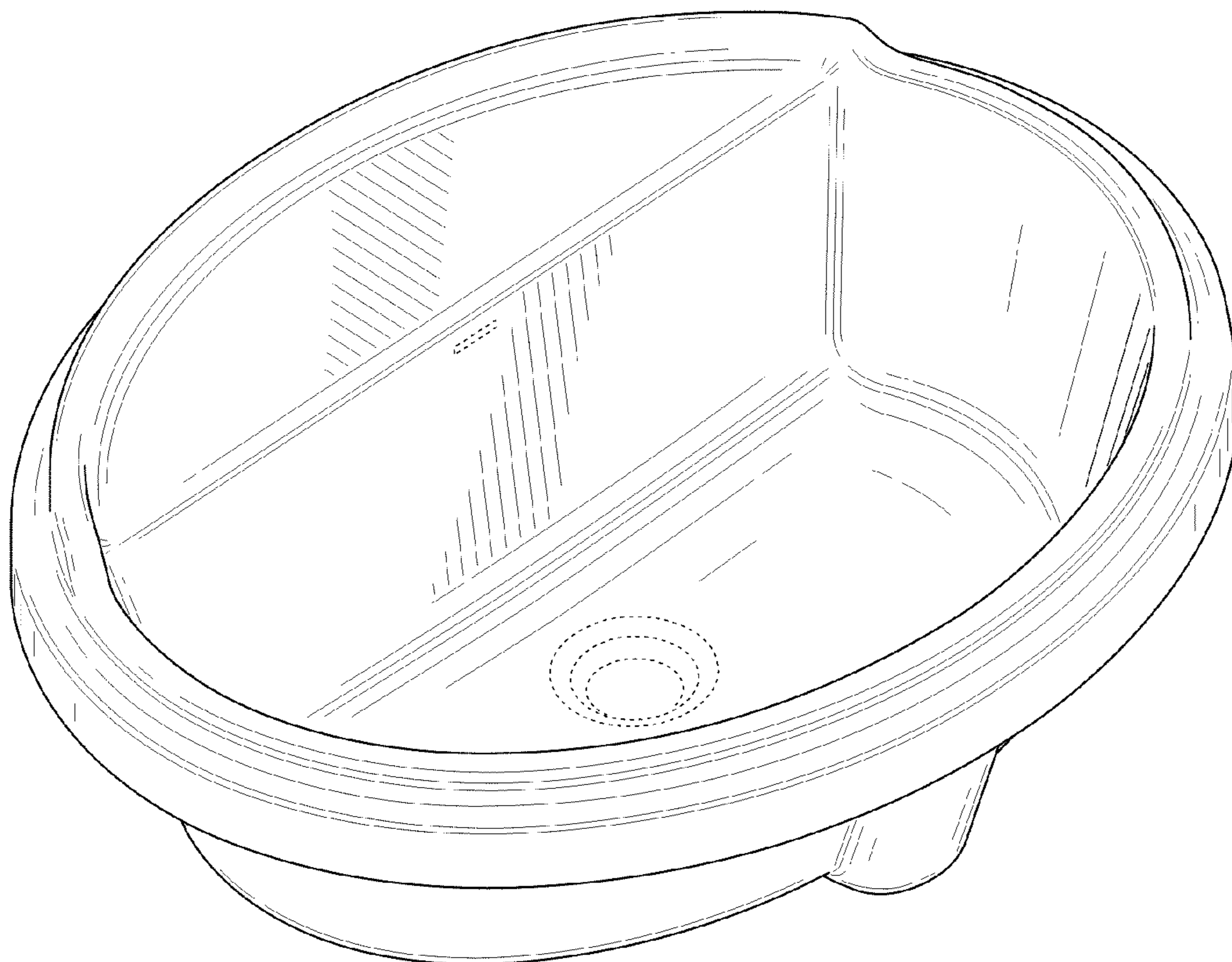
(57) **CLAIM**

We claim the ornamental design for a lavatory, as shown and described.

**DESCRIPTION**

FIG. 1 is a top perspective view of an embodiment of the claimed design;  
FIG. 2 is a front elevation view of the claimed design of FIG. 1;  
FIG. 3 is a rear elevation view of the claimed design of FIG. 1;  
FIG. 4 is a right-side elevation view of the claimed design of FIG. 1;  
FIG. 5 is a top plan view of the claimed design of FIG. 1; and, FIG. 6 is a bottom plan view of the claimed design of FIG. 1. The ornamental design which is claimed is shown in solid lines in the drawings. The broken lines in the drawings are for illustrative purposes only and form no part of the claimed design.

**1 Claim, 4 Drawing Sheets**



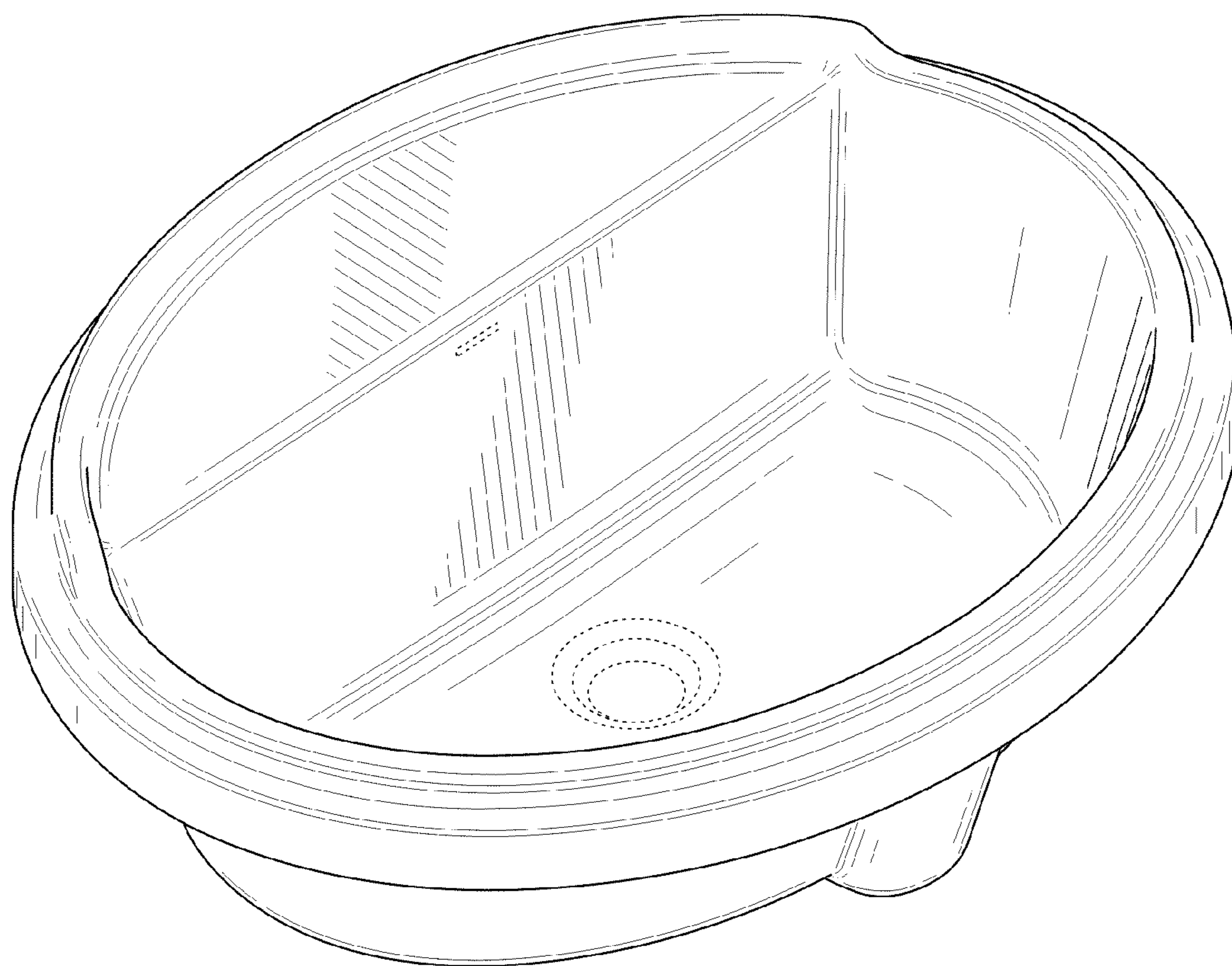
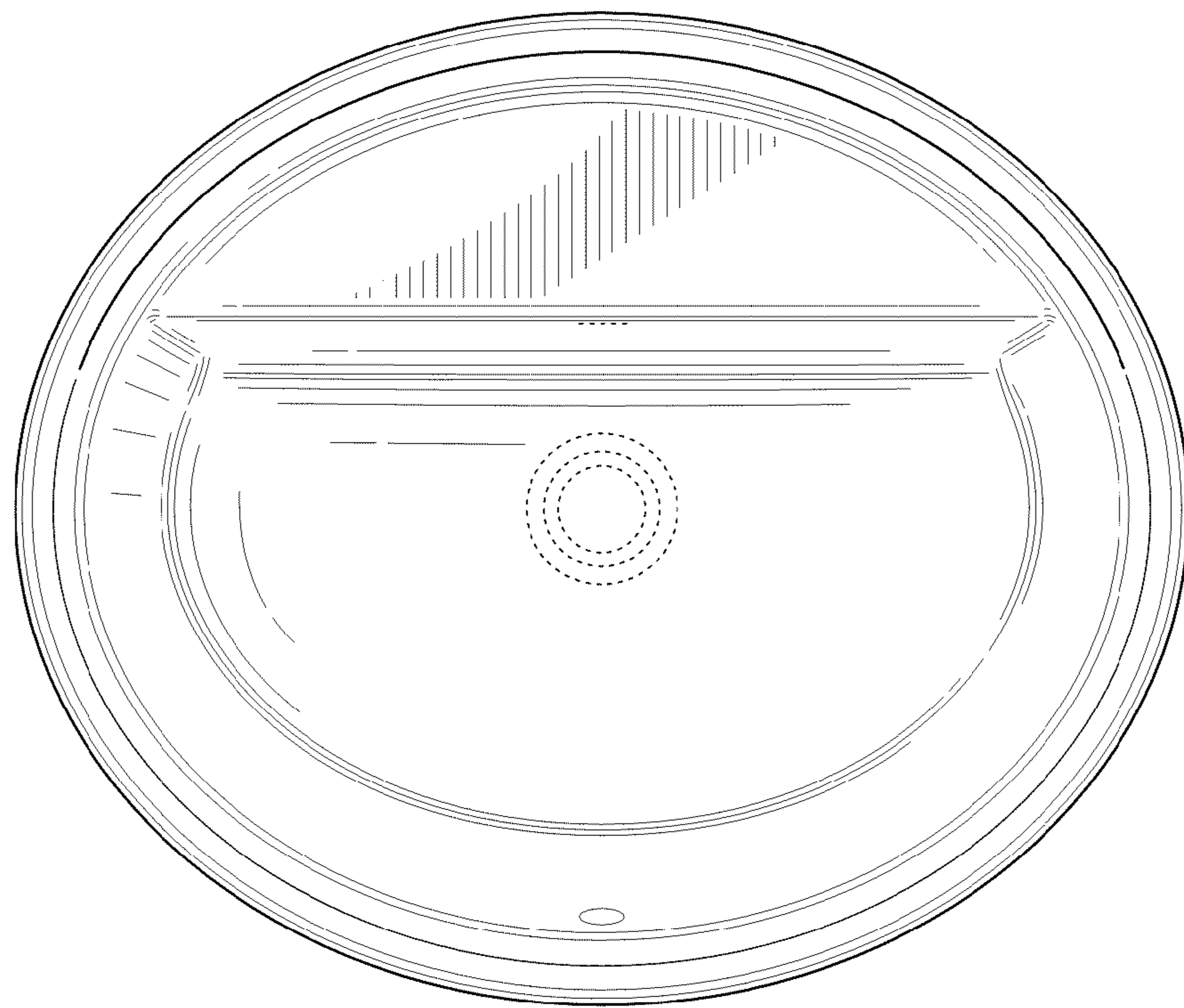
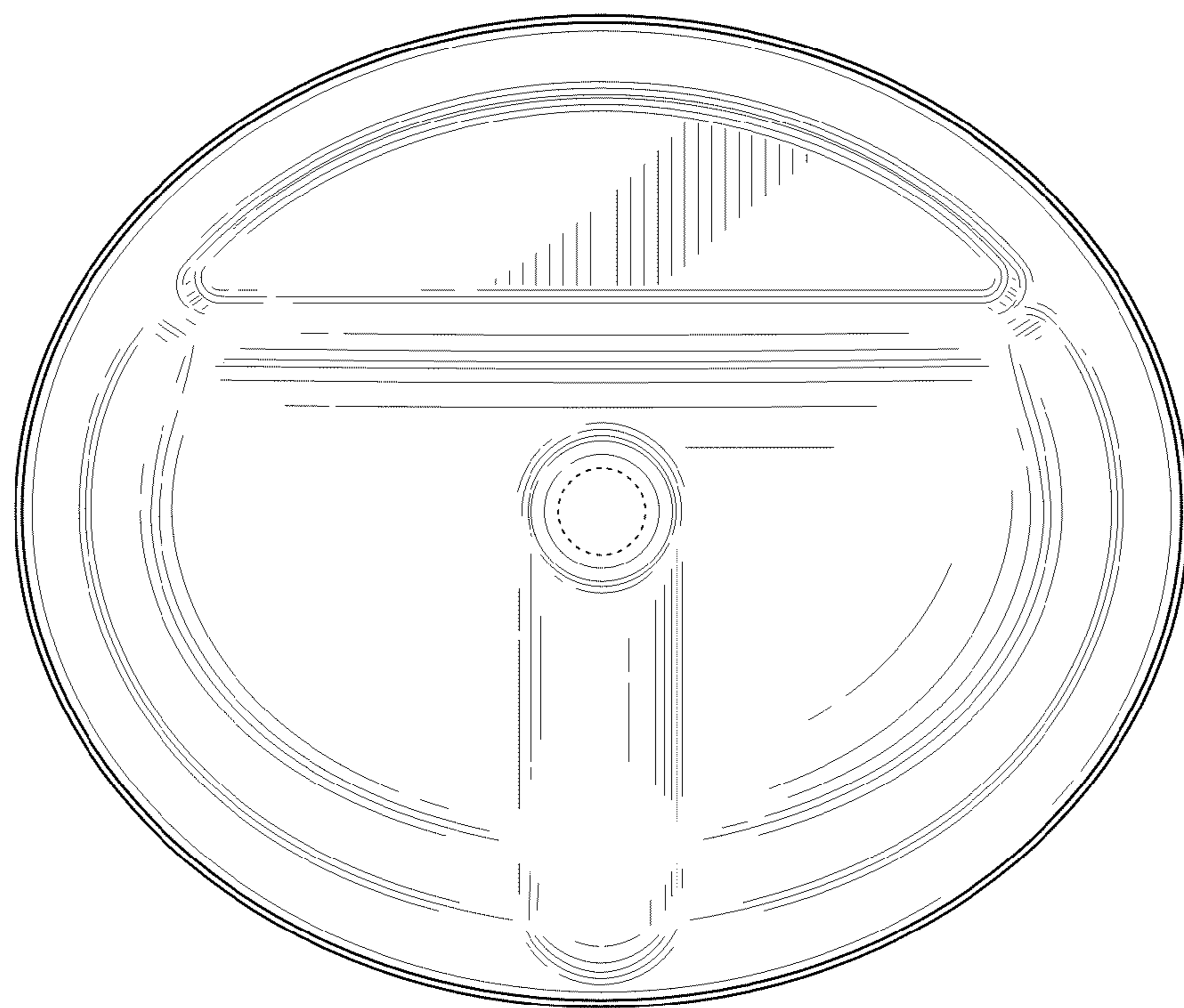


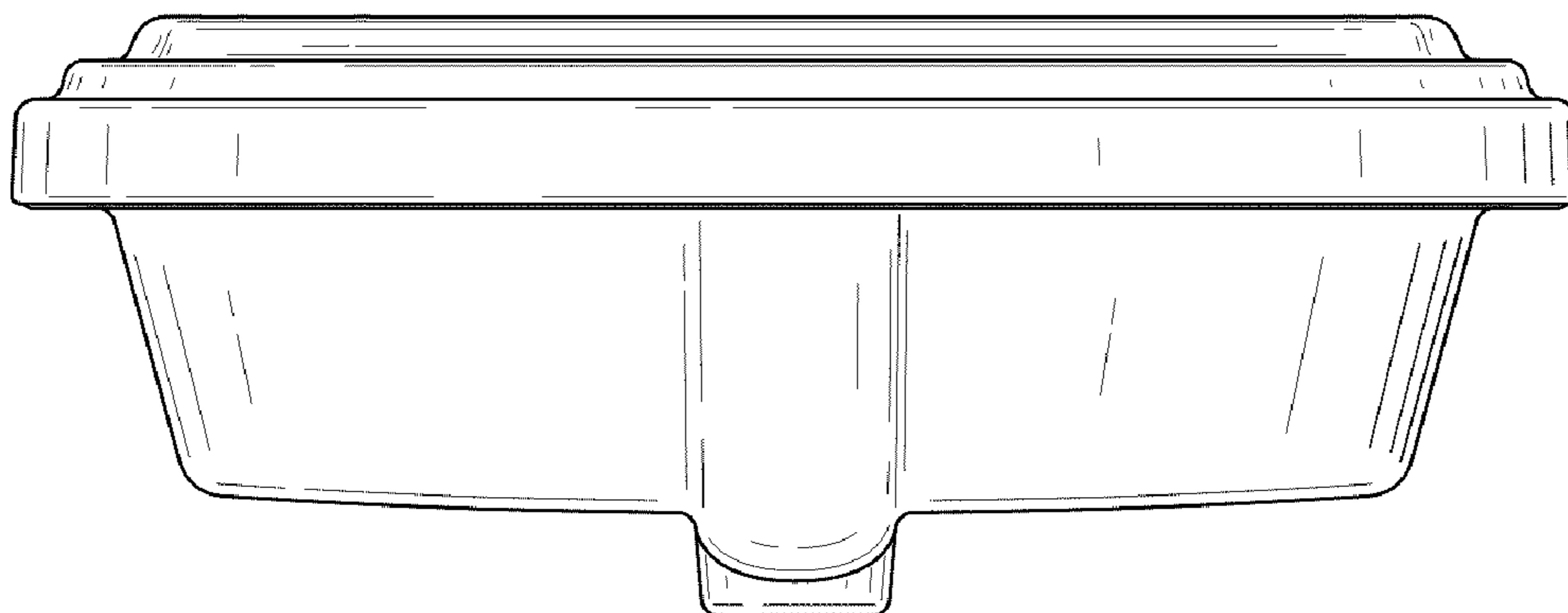
FIG. 1



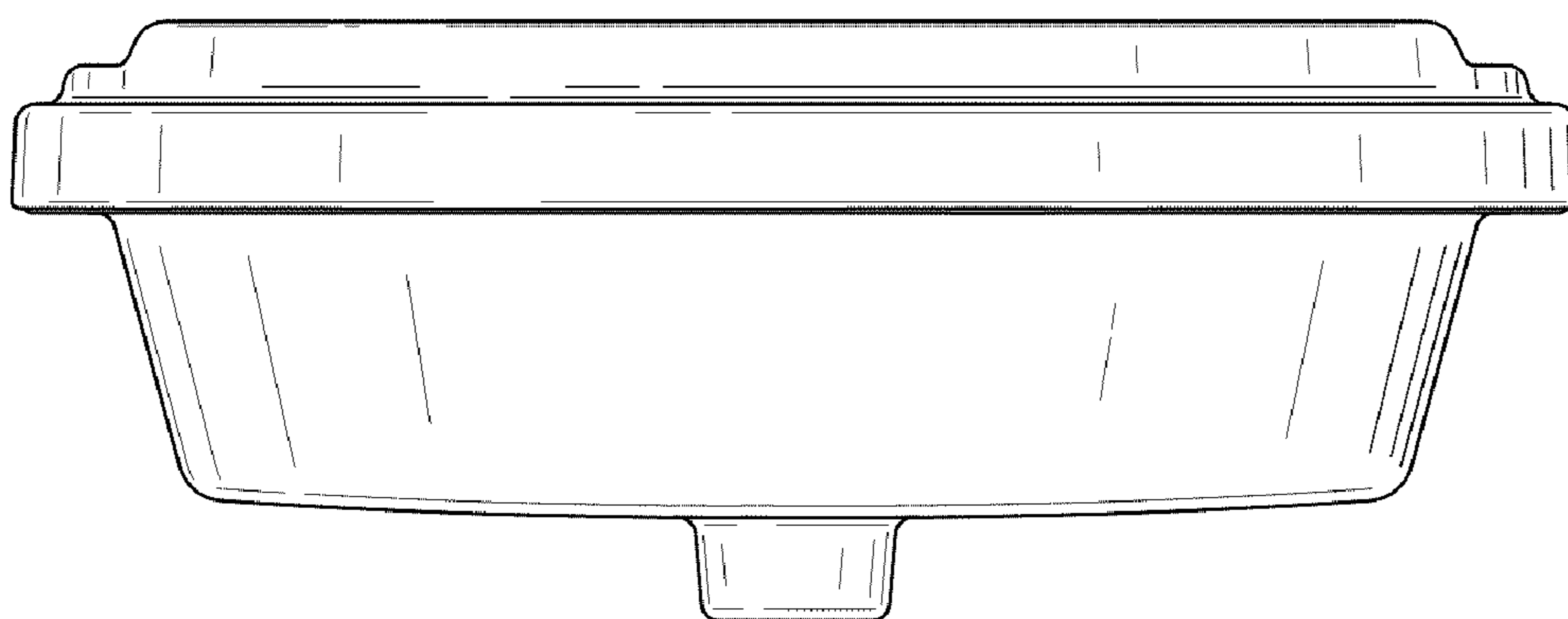
**FIG. 2**



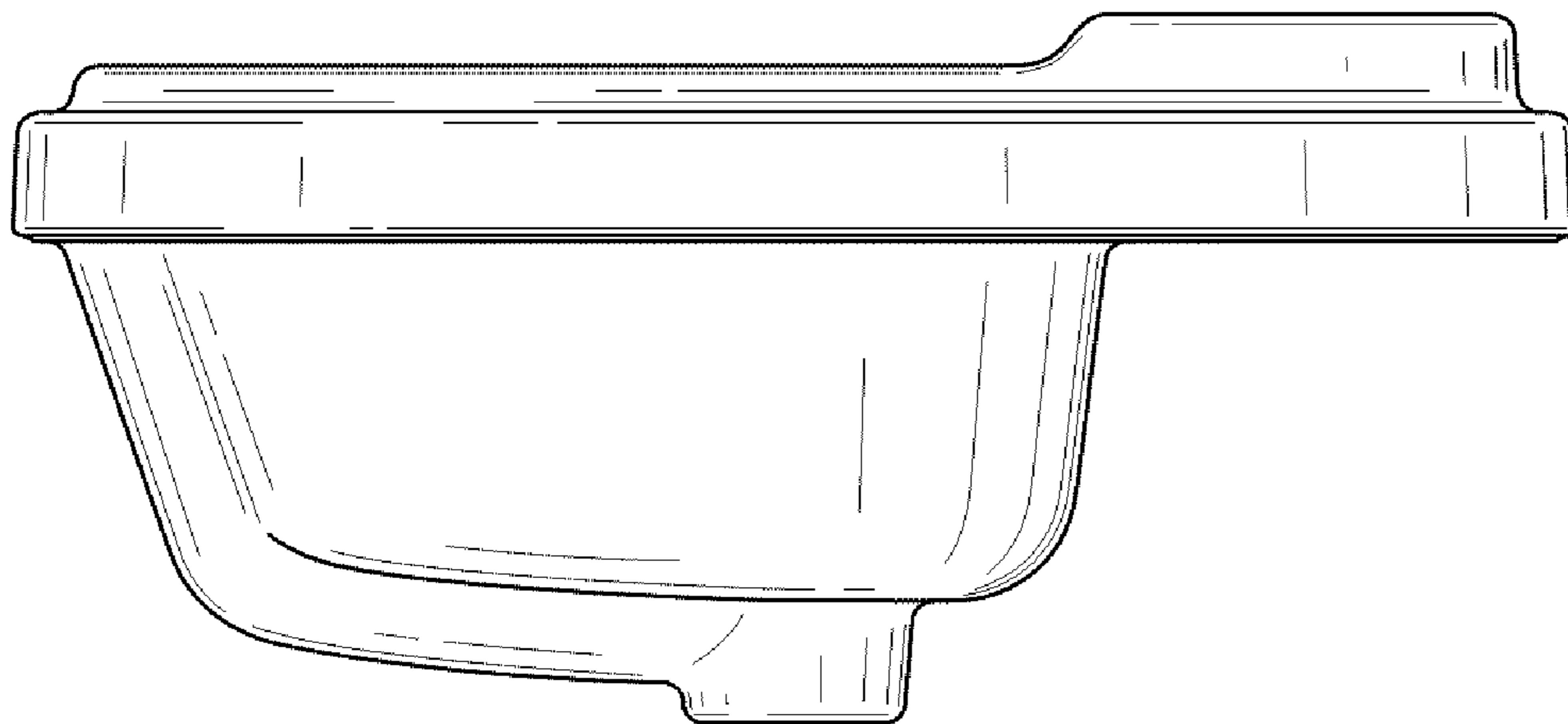
**FIG. 3**



**FIG. 4**



**FIG. 5**



**FIG. 6**