



US00D656591S

(12) **United States Design Patent**
Miller et al.

(10) **Patent No.:** **US D656,591 S**
(45) **Date of Patent:** **** Mar. 27, 2012**

(54) **WAX-LESS INTEGRAL SKIN TOILET GASKET**

(75) Inventors: **Jody Dale Miller**, Indianapolis, IN (US);
Robert Martin Grimmer, Indianapolis, IN (US)

(73) Assignee: **Sani Seal LLC**, Indianapolis, IN (US)

(**) Term: **14 Years**

(21) Appl. No.: **29/358,715**

(22) Filed: **Mar. 31, 2010**

(51) **LOC (9) Cl.** **23-01**

(52) **U.S. Cl.** **D23/269**

(58) **Field of Classification Search** D23/259-269;
4/252.4, 252.5, 252.6; 277/606

See application file for complete search history.

(56) **References Cited**

U.S. PATENT DOCUMENTS

2,338,686	A *	1/1944	Gredell	277/606
3,821,820	A	7/1974	Thompson		
D276,556	S *	11/1984	Haggard	D25/133
4,482,161	A	11/1984	Izzi, Sr.		
6,327,717	B1 *	12/2001	Johnson et al.	4/252.4
D465,061	S *	10/2002	Guthrie	D26/138
6,691,331	B2 *	2/2004	Gallacher et al.	4/252.5
D644,306	S *	8/2011	Douglass, III	D23/269
2002/0020007	A1 *	2/2002	Johnson et al.	4/252.5
2003/0126676	A1 *	7/2003	Gallacher et al.	4/252.5

2011/0162133	A1 *	7/2011	DeWitt et al.	4/252.6
2011/0185487	A1 *	8/2011	Miller et al.	4/252.5
2011/0185488	A1 *	8/2011	Miller et al.	4/252.6

* cited by examiner

Primary Examiner — T. Chase Nelson

Assistant Examiner — Eric Goodman

(74) *Attorney, Agent, or Firm* — George R. Reardon

(57) **CLAIM**

The ornamental design for a wax-less integral skin toilet gasket, as shown and described.

DESCRIPTION

FIG. 1 is a perspective view of a wax-less integral skin toilet gasket, showing my new design;

FIG. 2 is a bottom perspective view thereof;

FIG. 3 is a top plan view thereof;

FIG. 4 is a bottom plan view thereof;

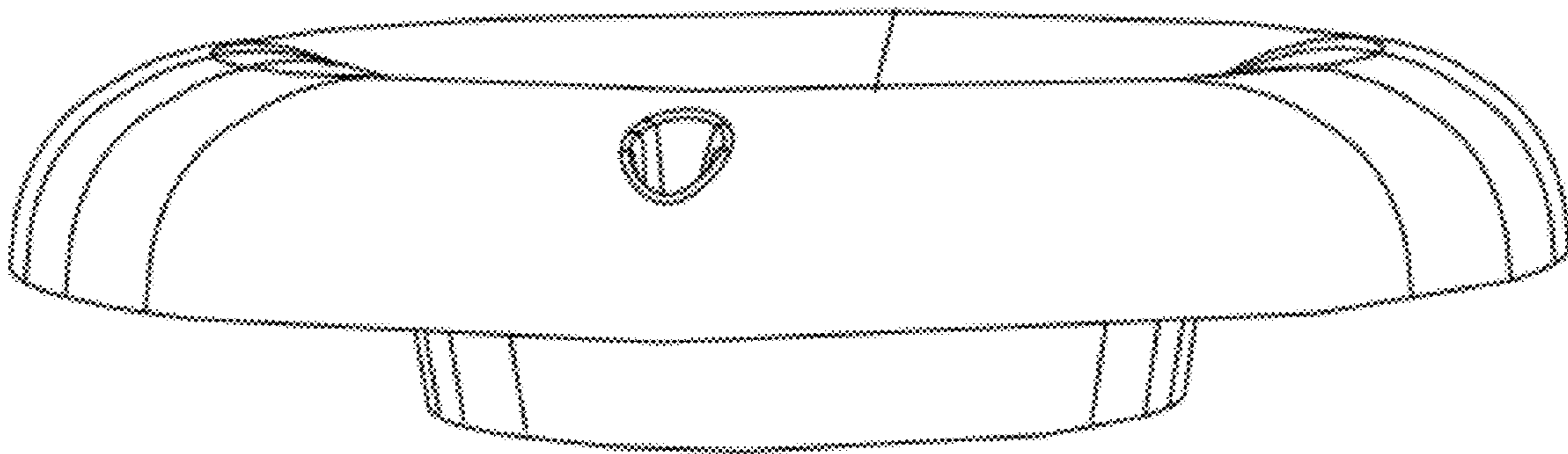
FIG. 5 is a front elevation view thereof;

FIG. 6 is a side elevation view thereof;

FIG. 7 is an exploded view of the wax-less integral skin toilet gasket, incorporating the present invention positioned between a toilet flange attached to a floor drain and a toilet outlet base, the broken lines are included for the purpose of illustrating environment and form no part of the claimed design; and,

FIG. 8 is a cross-sectional view taken along the line 8-8 of FIG. 7 and viewed in the direction of the arrows, the broken lines are included for the purpose of illustrating environment and form no part of the claimed design.

1 Claim, 8 Drawing Sheets



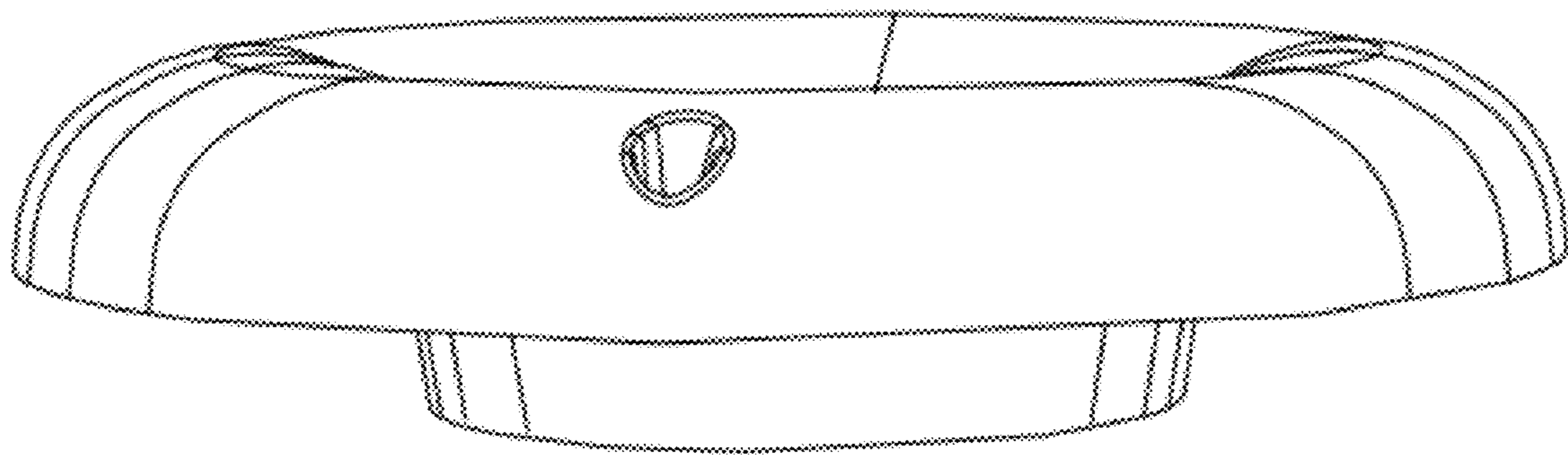


FIG. 1

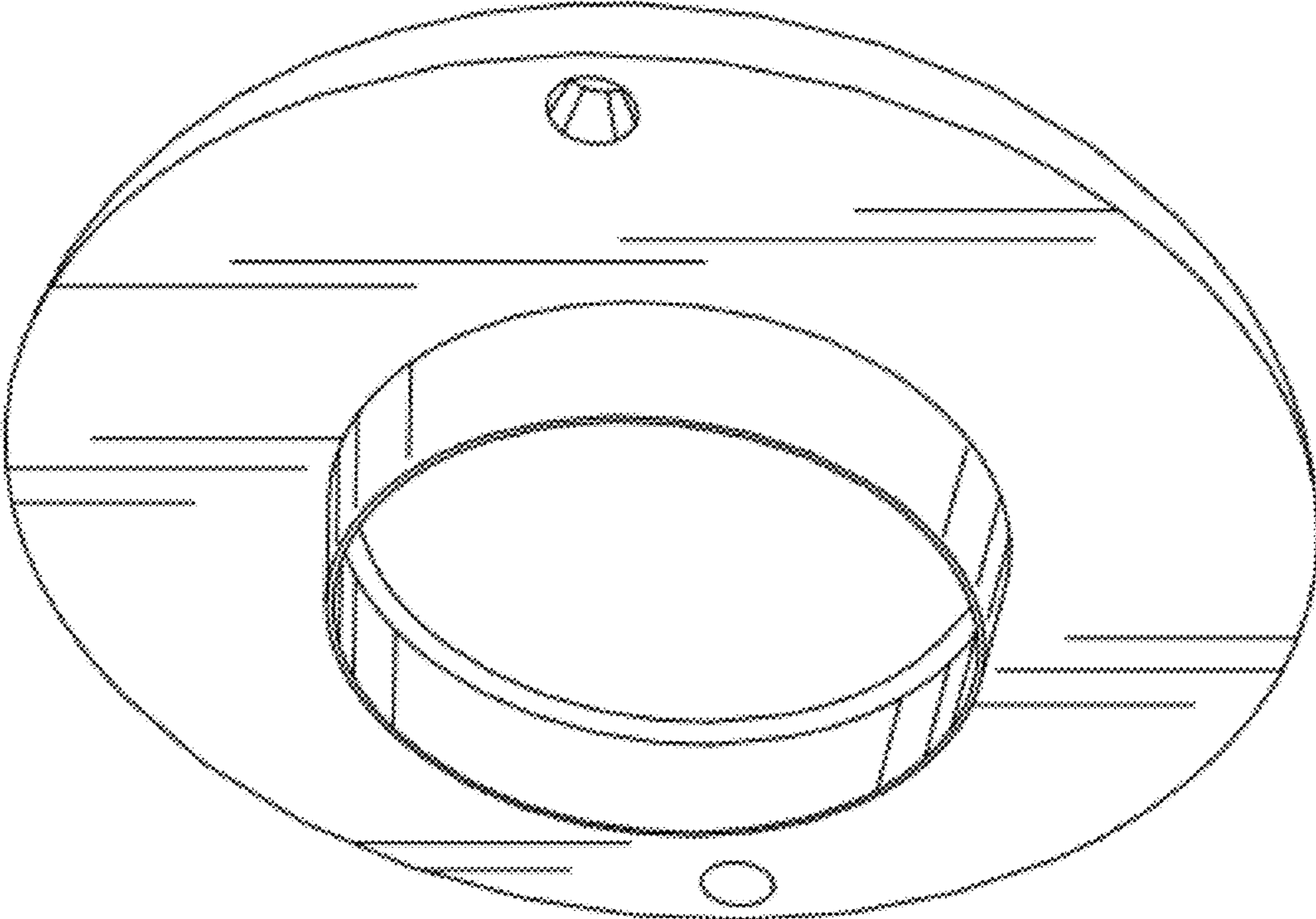


FIG. 2

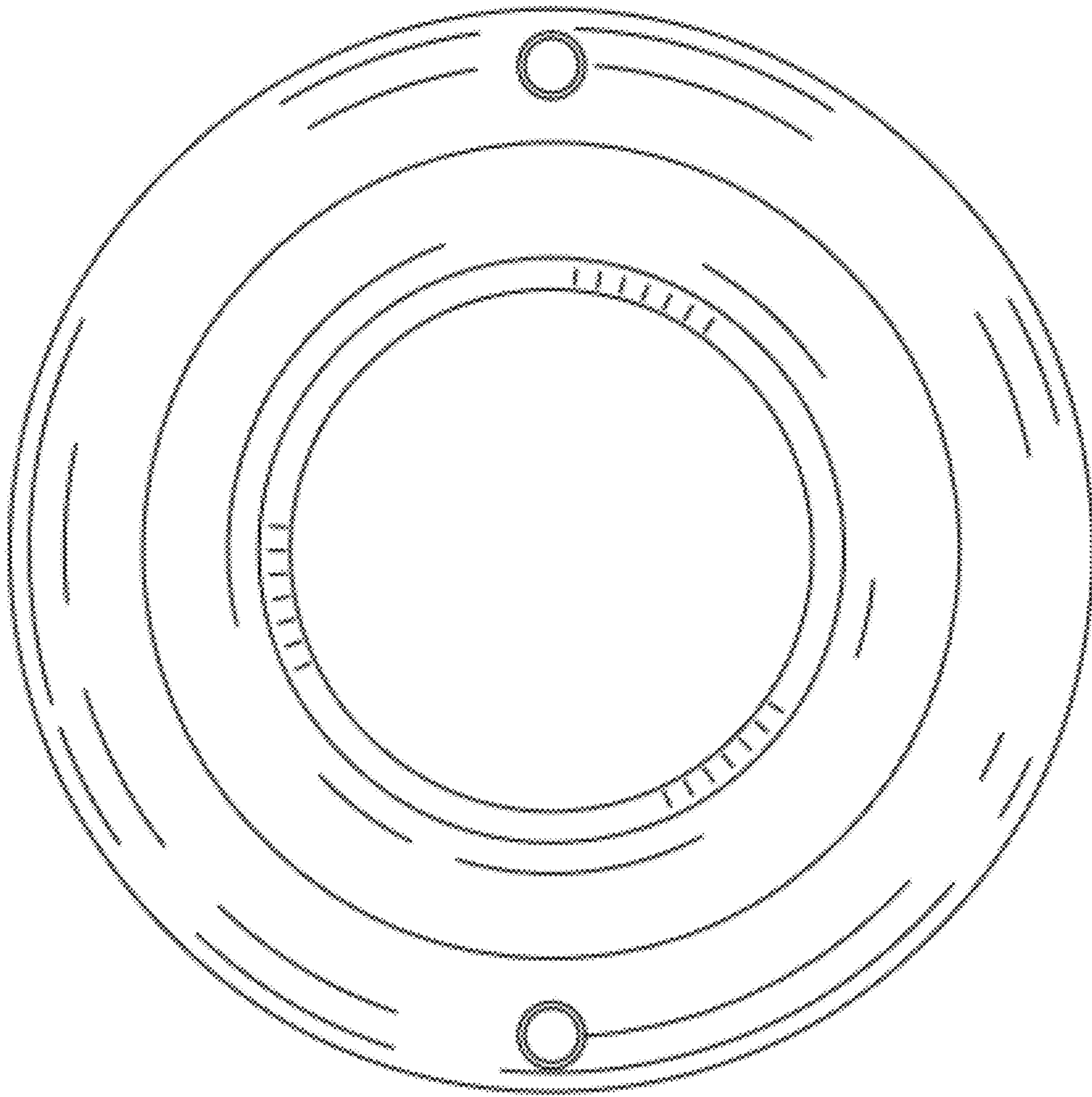


FIG. 3

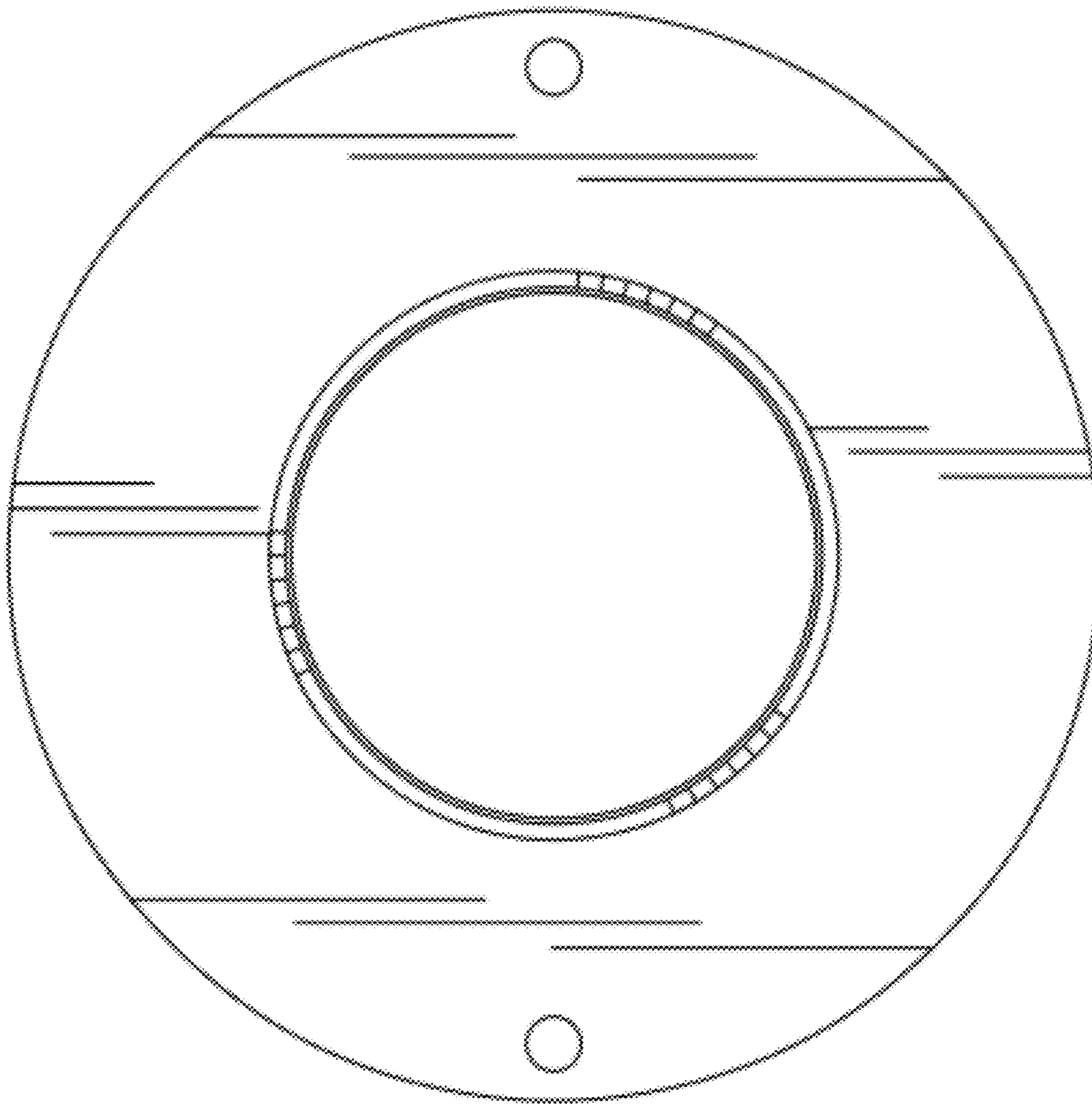


FIG. 4

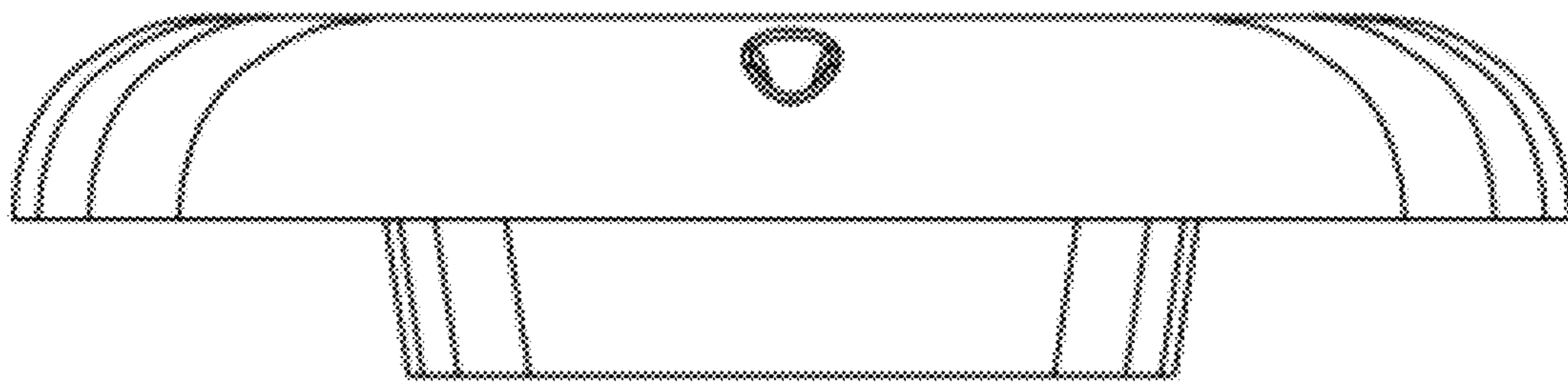


FIG. 5

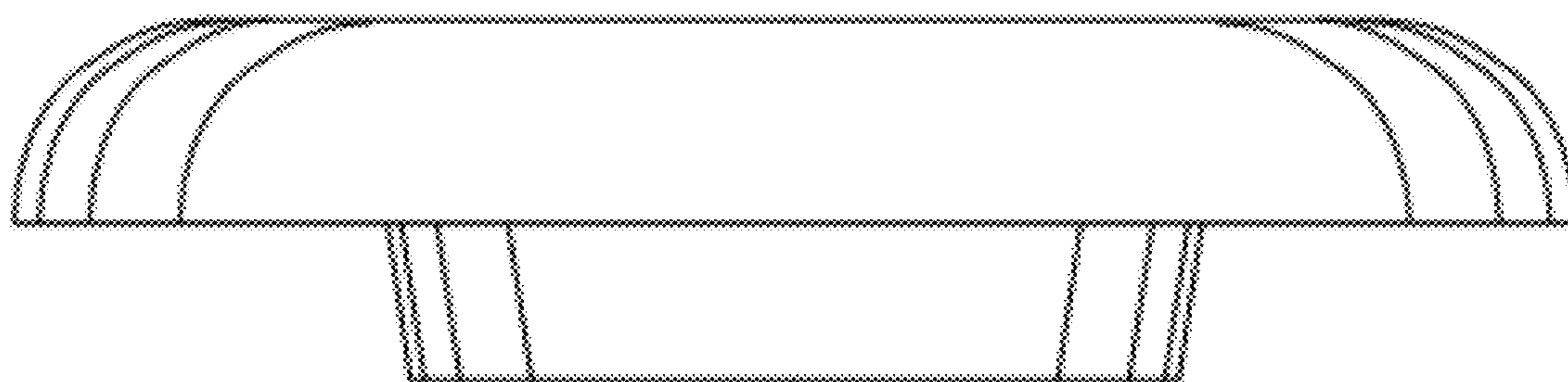


FIG. 6

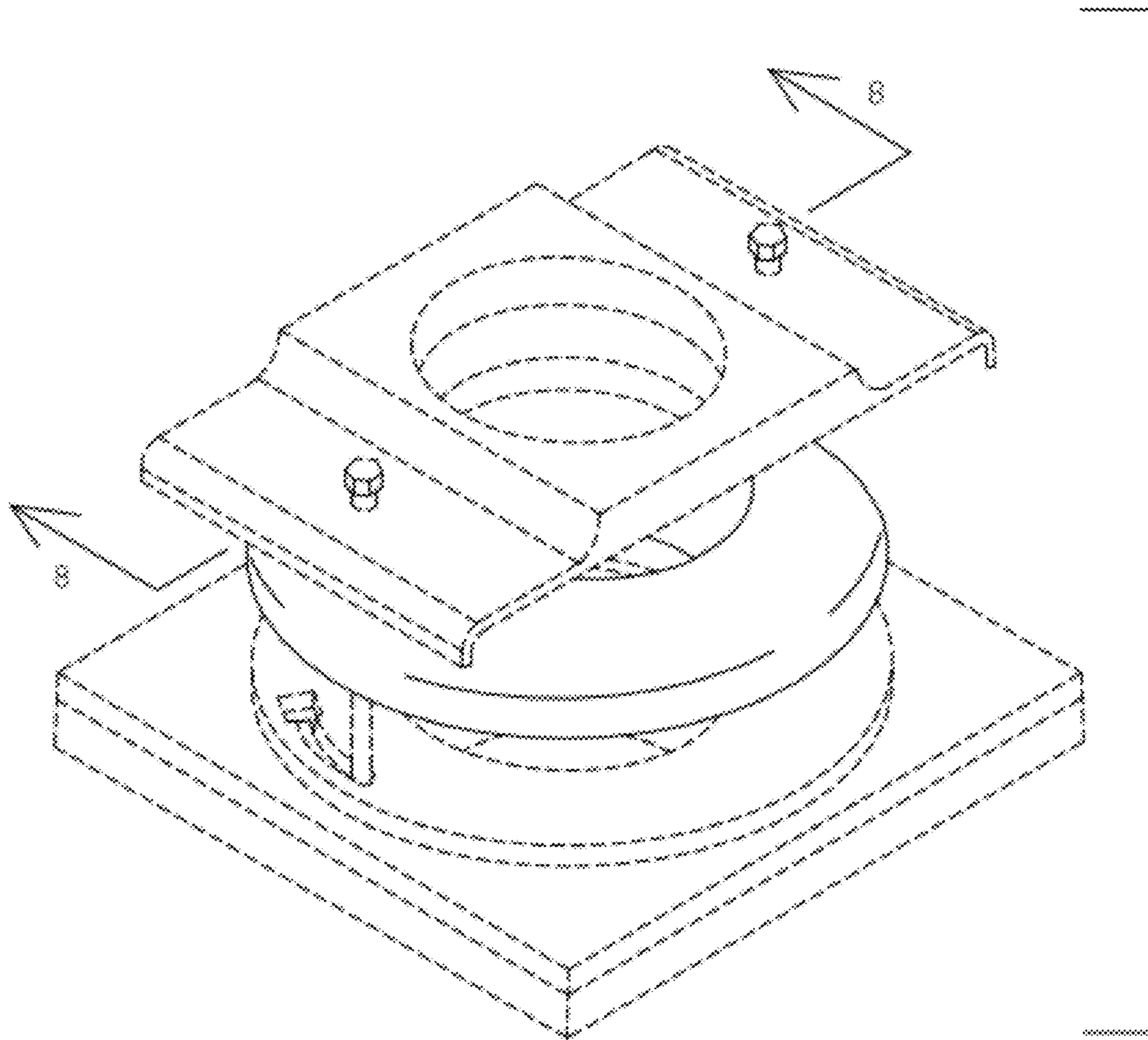


FIG. 7

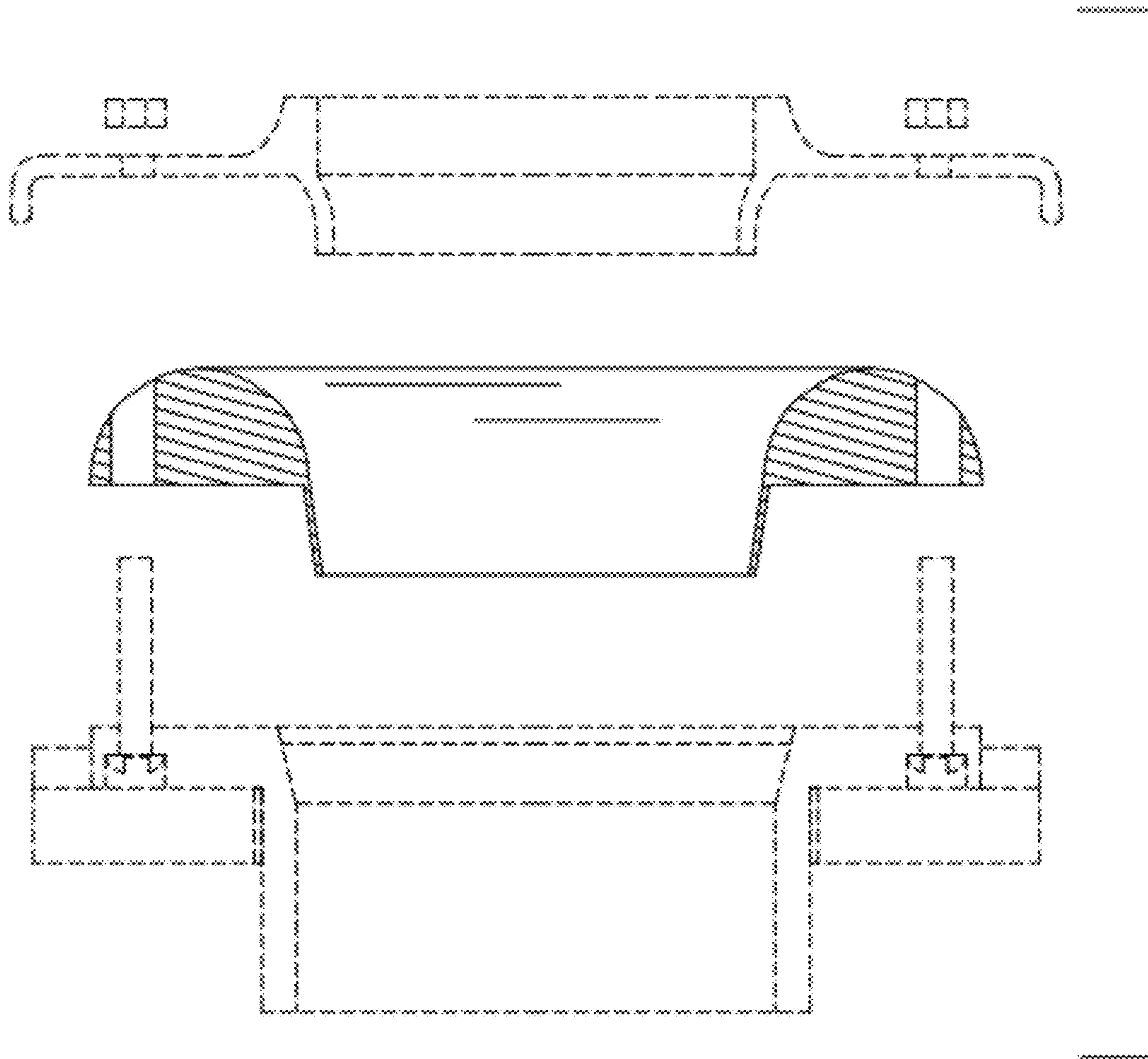


FIG. 8