



US00D656589S

(12) **United States Design Patent**
Flowers et al.

(10) **Patent No.:** **US D656,589 S**

(45) **Date of Patent:** **** Mar. 27, 2012**

(54) **VALVE**

(75) Inventors: **Paul Flowers**, Duesseldorf (DE); **Jochen Allard**, Menden (DE)

(73) Assignee: **Grohe AG**, Hemer (DE)

(**) Term: **14 Years**

(21) Appl. No.: **29/388,350**

(22) Filed: **Mar. 28, 2011**

(51) **LOC (9) Cl.** **23-01**

(52) **U.S. Cl.** **D23/249**

(58) **Field of Classification Search** D23/233–250,
D23/252, 254; D8/308, 350–353; 4/676–677;
137/350–353

See application file for complete search history.

(56) **References Cited**

U.S. PATENT DOCUMENTS

D345,004 S * 3/1994 Bengtson D23/254
D568,446 S * 5/2008 Tsai D23/249
D574,061 S * 7/2008 Rexach D23/254

D587,345 S * 2/2009 Montgomery et al. D23/254
D622,819 S * 8/2010 Tippens et al. D23/252
2011/0115215 A1* 5/2011 Cronje et al. 285/129.1

* cited by examiner

Primary Examiner — Cathron C. Brooks

Assistant Examiner — Maurice Stevens

(74) *Attorney, Agent, or Firm* — Muncy, Geissler, Olds & Lowe, PLLC

(57) **CLAIM**

The ornamental design for a valve, as shown and described.

DESCRIPTION

FIG. 1 is a left side elevational view of the valve of the present invention, the right side elevational view being a mirror image thereof.

FIG. 2 is a front elevational view of the valve of FIG. 1.

FIG. 3 is a rear elevation view of the valve of FIG. 1.

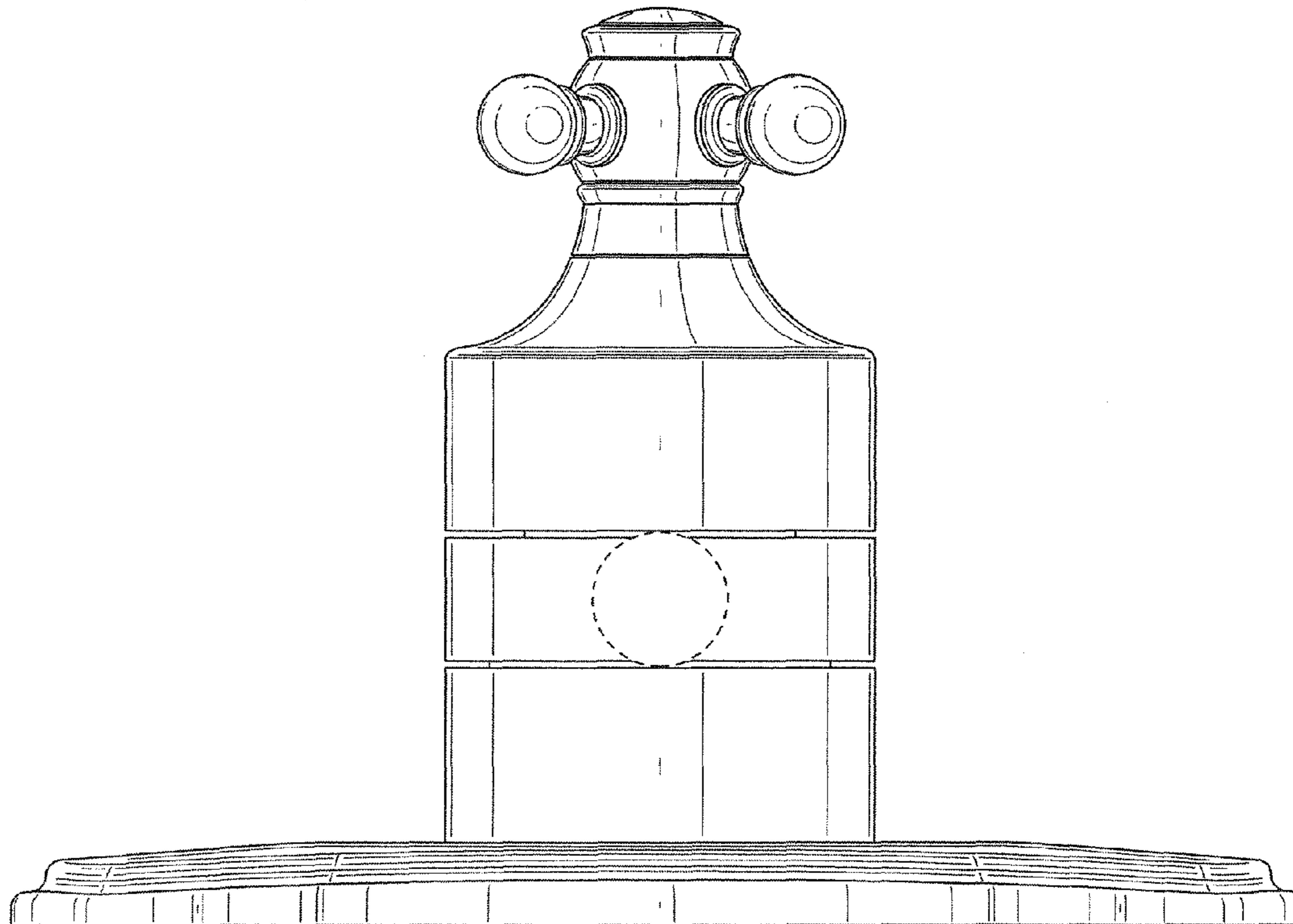
FIG. 4 is a top plan view of the valve of FIG. 1.

FIG. 5 is a bottom plan view of the valve of FIG. 1; and,

FIG. 6 is a three-quarter view of the valve of FIG. 1.

The dashed lines illustrate environment that does not form a part of the present invention, and no claim is made to the material illustrated with dashed lines.

1 Claim, 6 Drawing Sheets



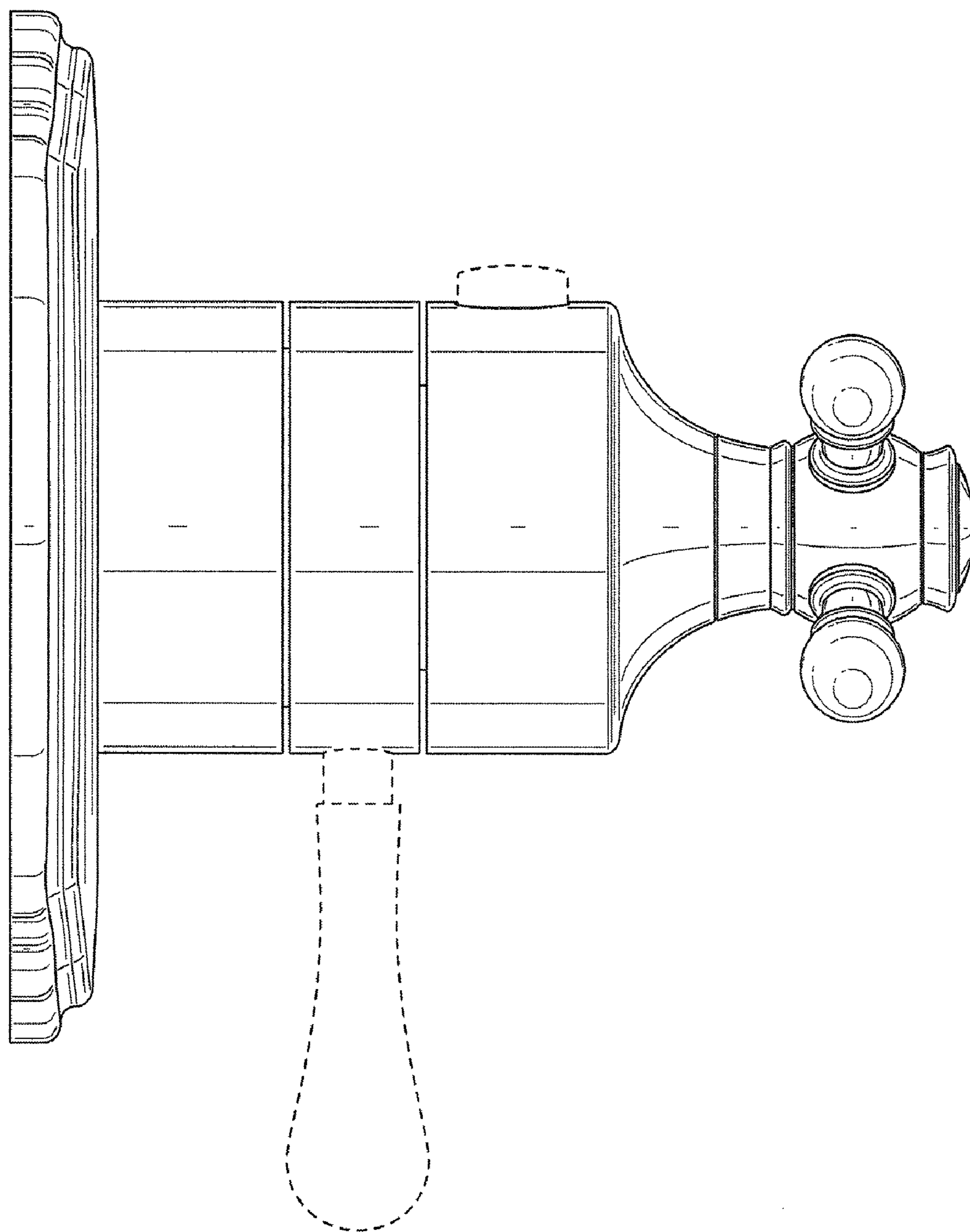


FIG. 1

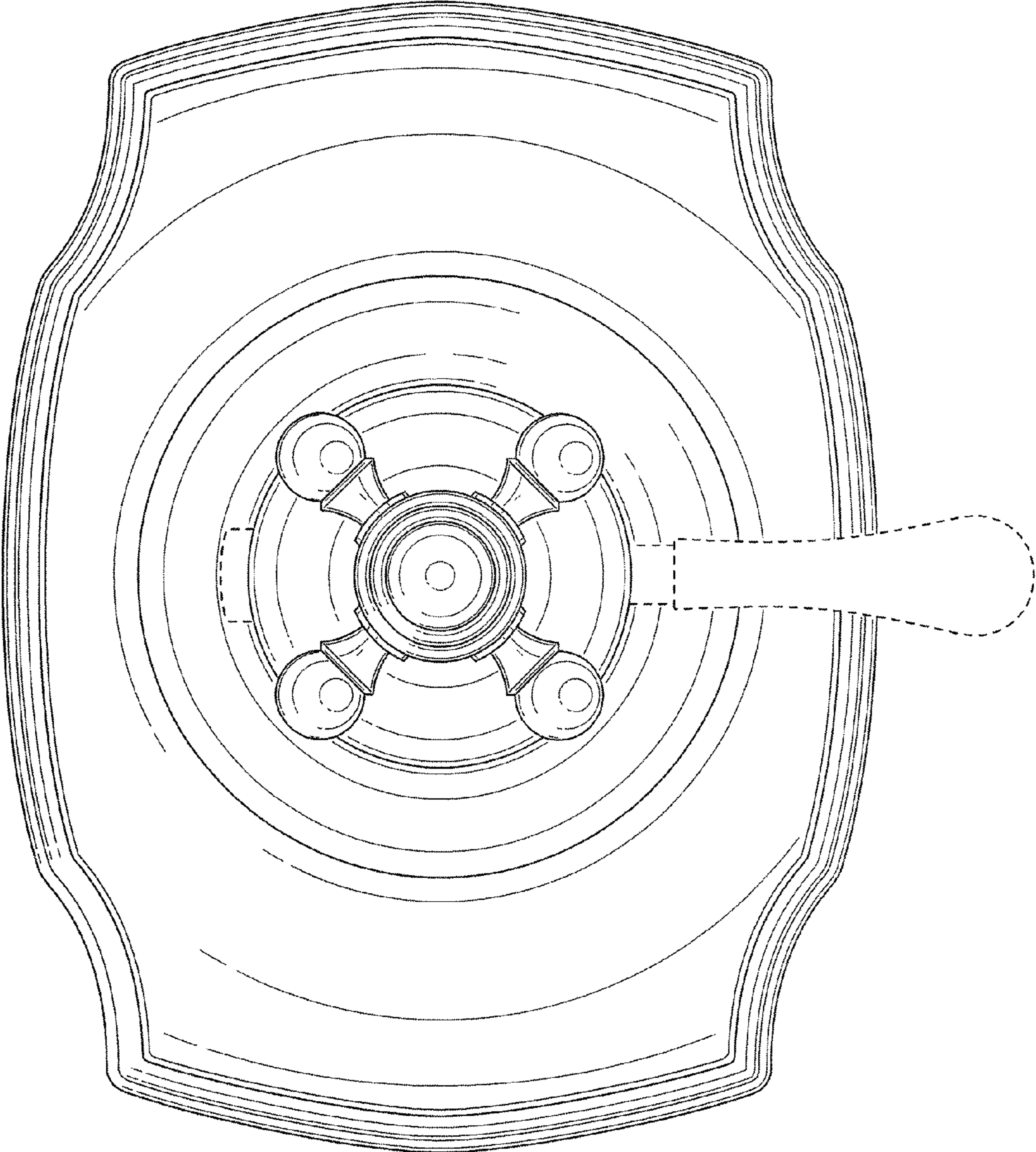


FIG. 2

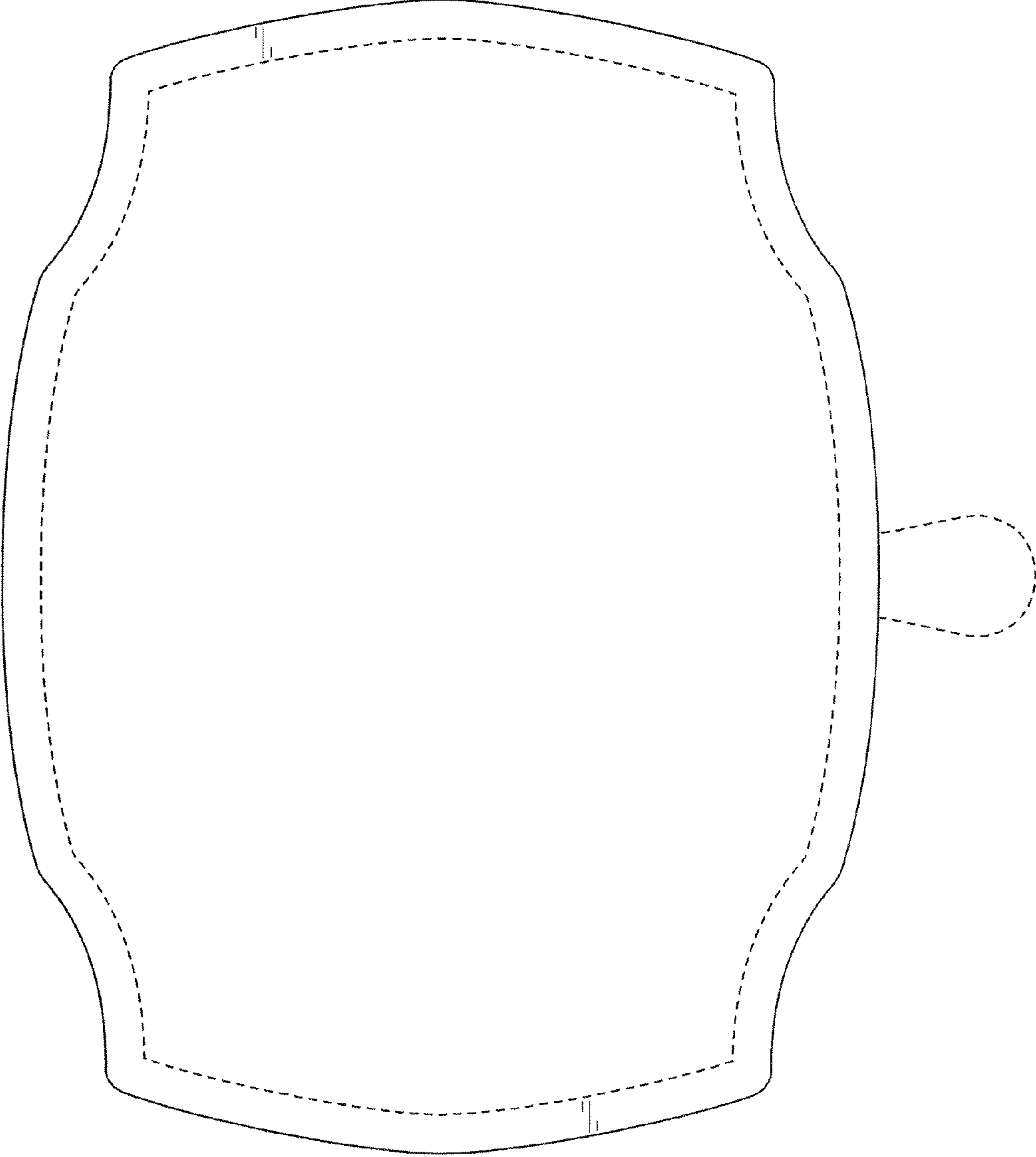


FIG. 3

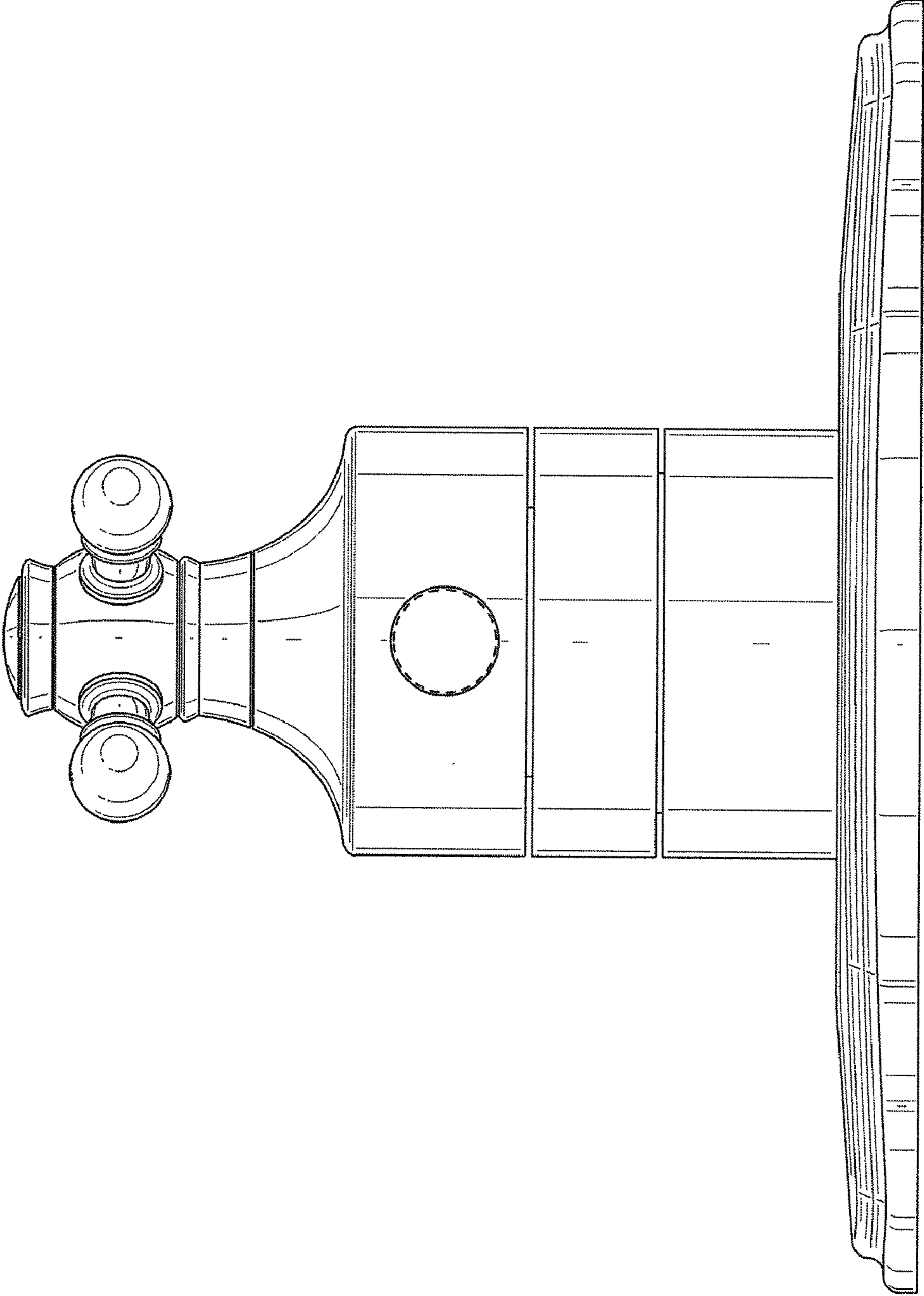


FIG. 4

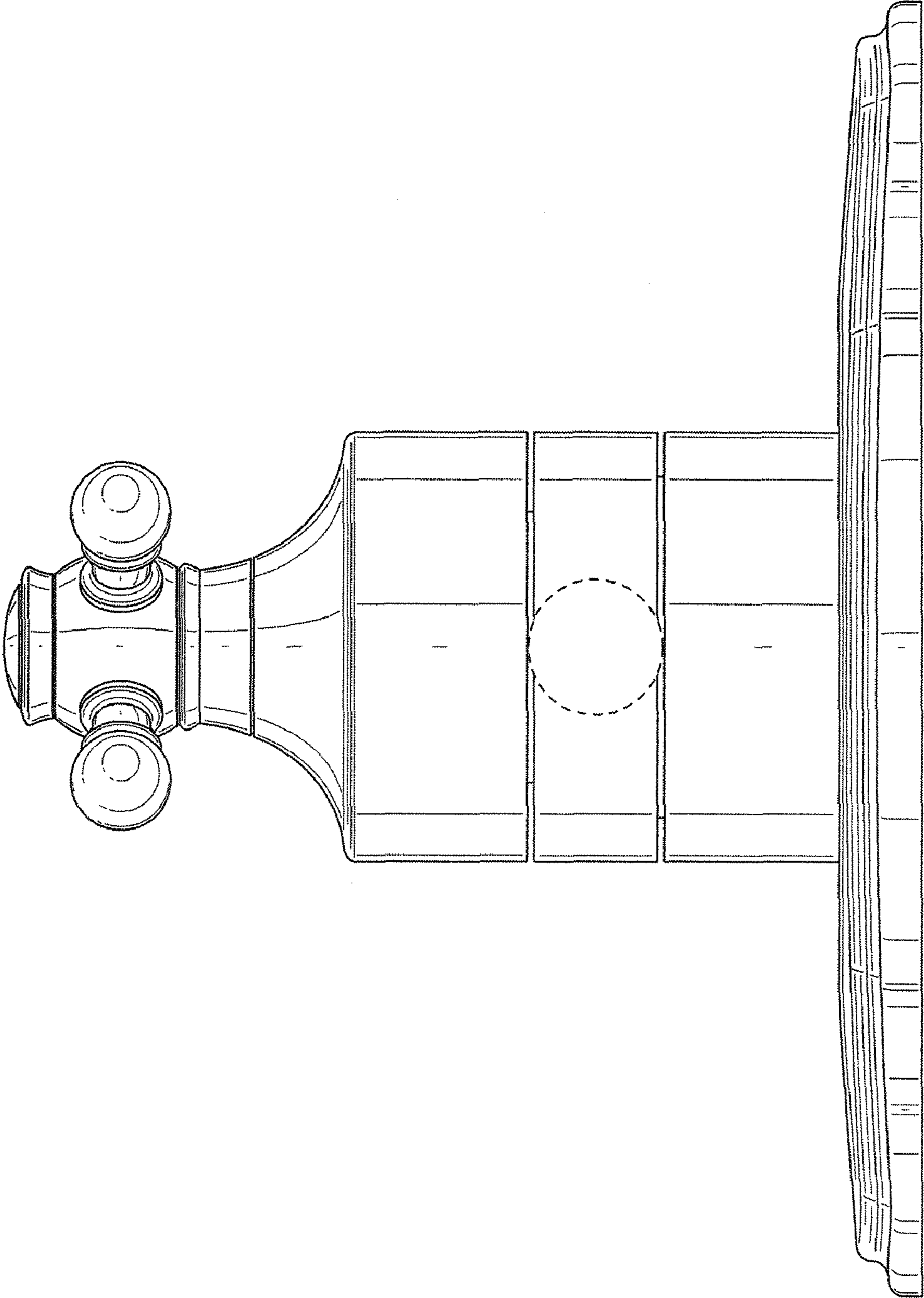


FIG. 5

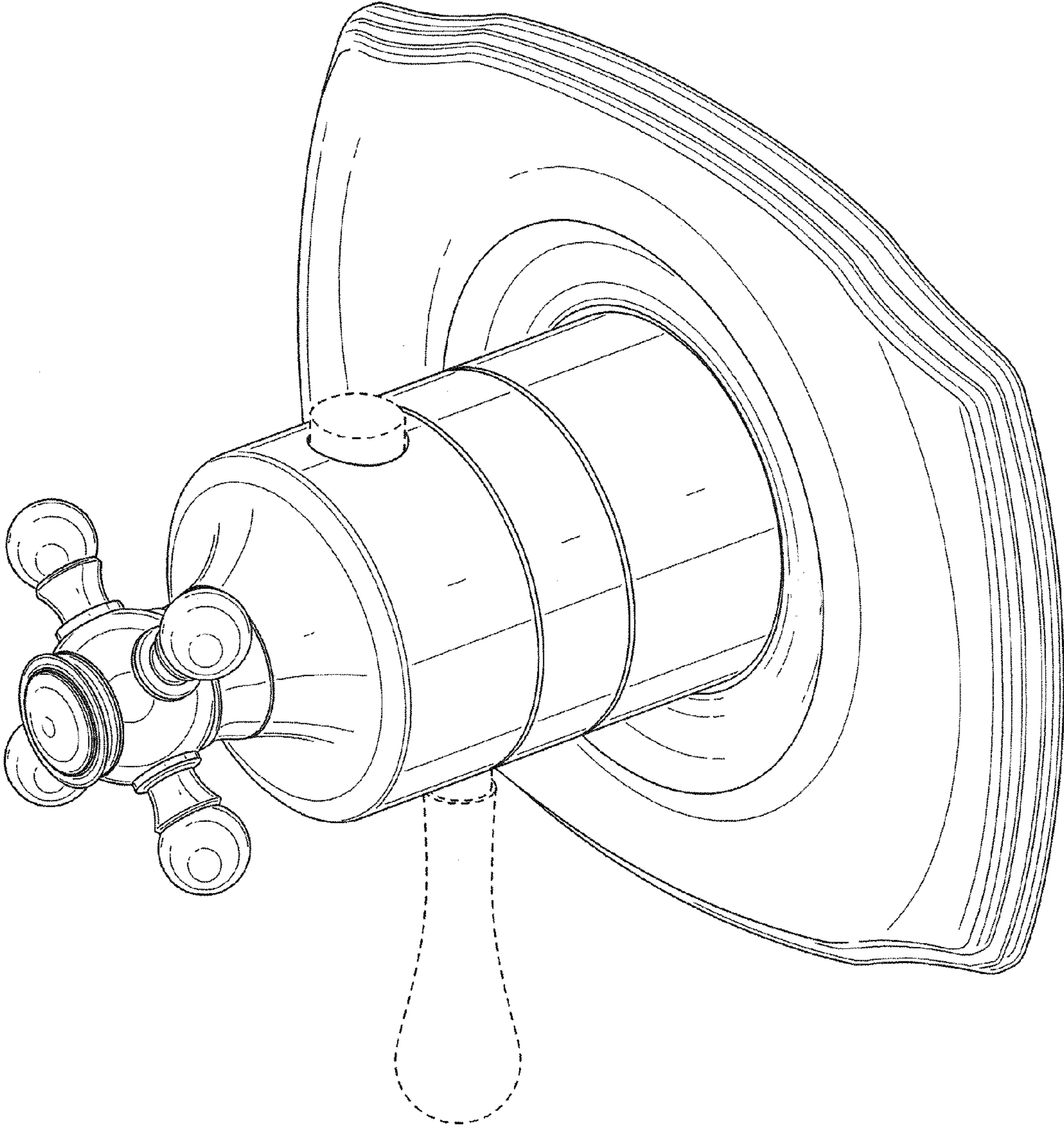


FIG. 6