



US00D656587S

(12) **United States Design Patent**
Ko

(10) **Patent No.:** **US D656,587 S**

(45) **Date of Patent:** **** Mar. 27, 2012**

(54) **FAUCET**

(75) Inventor: **Jui-Feng Ko**, Changhua County (TW)

(73) Assignee: **Chung Cheng Faucet Co., Ltd.**,
Changhua County (TW)

(**) Term: **14 Years**

(21) Appl. No.: **29/389,839**

(22) Filed: **Apr. 18, 2011**

(51) **LOC (9) Cl.** **23-01**

(52) **U.S. Cl.** **D23/242**

(58) **Field of Classification Search** D23/238,
D23/241-242, 250, 252, 254, 255, 257; 4/676-678;
137/801

See application file for complete search history.

(56) **References Cited**

U.S. PATENT DOCUMENTS

D519,611 S * 4/2006 Fritz D23/241
D578,614 S * 10/2008 Fritz et al. D23/241
D620,083 S * 7/2010 Zhang D23/255

* cited by examiner

Primary Examiner — Robert Delehanty

(74) *Attorney, Agent, or Firm* — Chi IP Law Firm

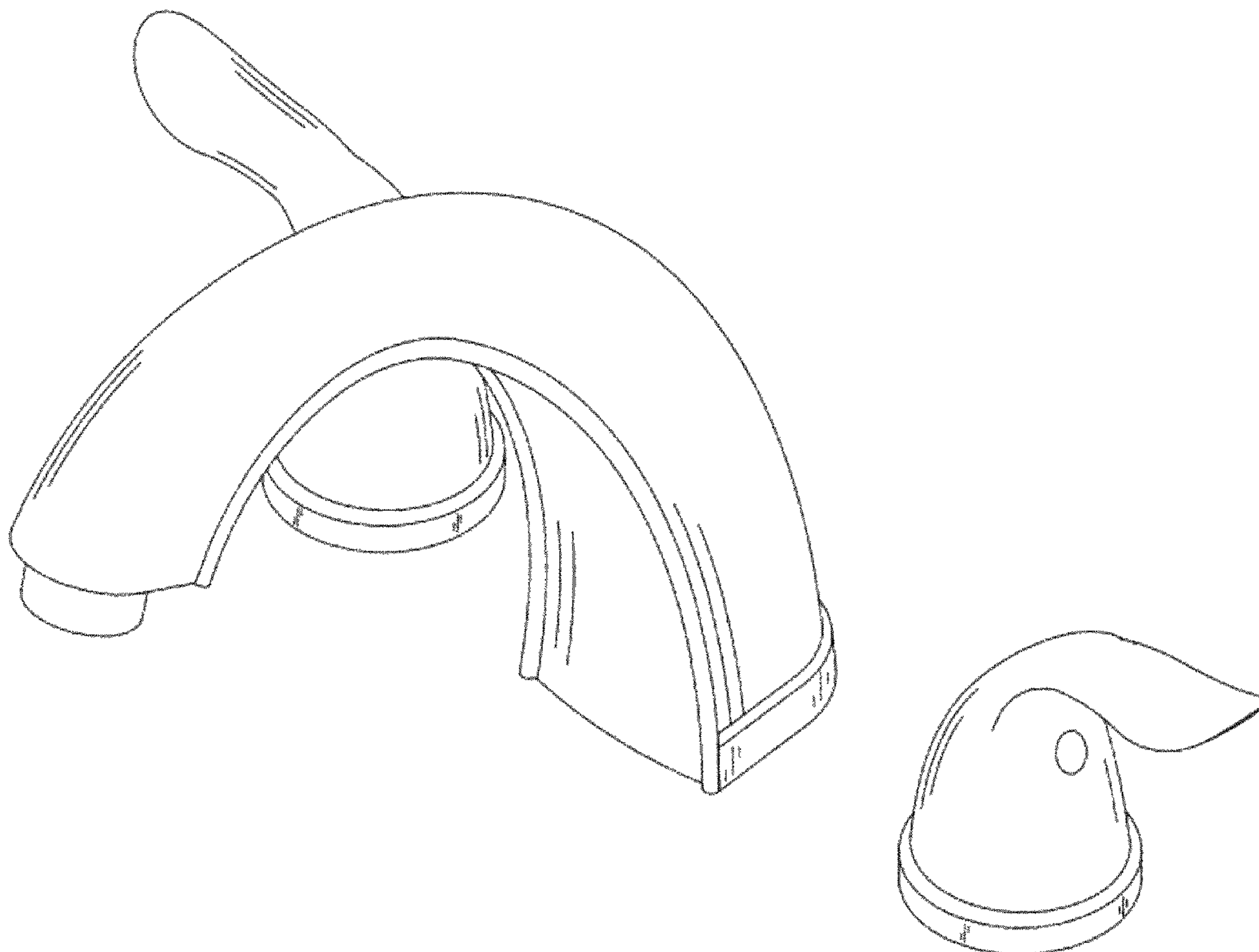
(57) **CLAIM**

The ornamental design for a faucet, as shown and described.

DESCRIPTION

FIG. 1 is a perspective view of a faucet.
FIG. 2 is a front elevation of the faucet.
FIG. 3 is a rear elevation of the faucet.
FIG. 4 is a left side elevation of the faucet.
FIG. 5 is a right side elevation of the faucet; and,
FIG. 6 is a top plane of the faucet.

1 Claim, 6 Drawing Sheets



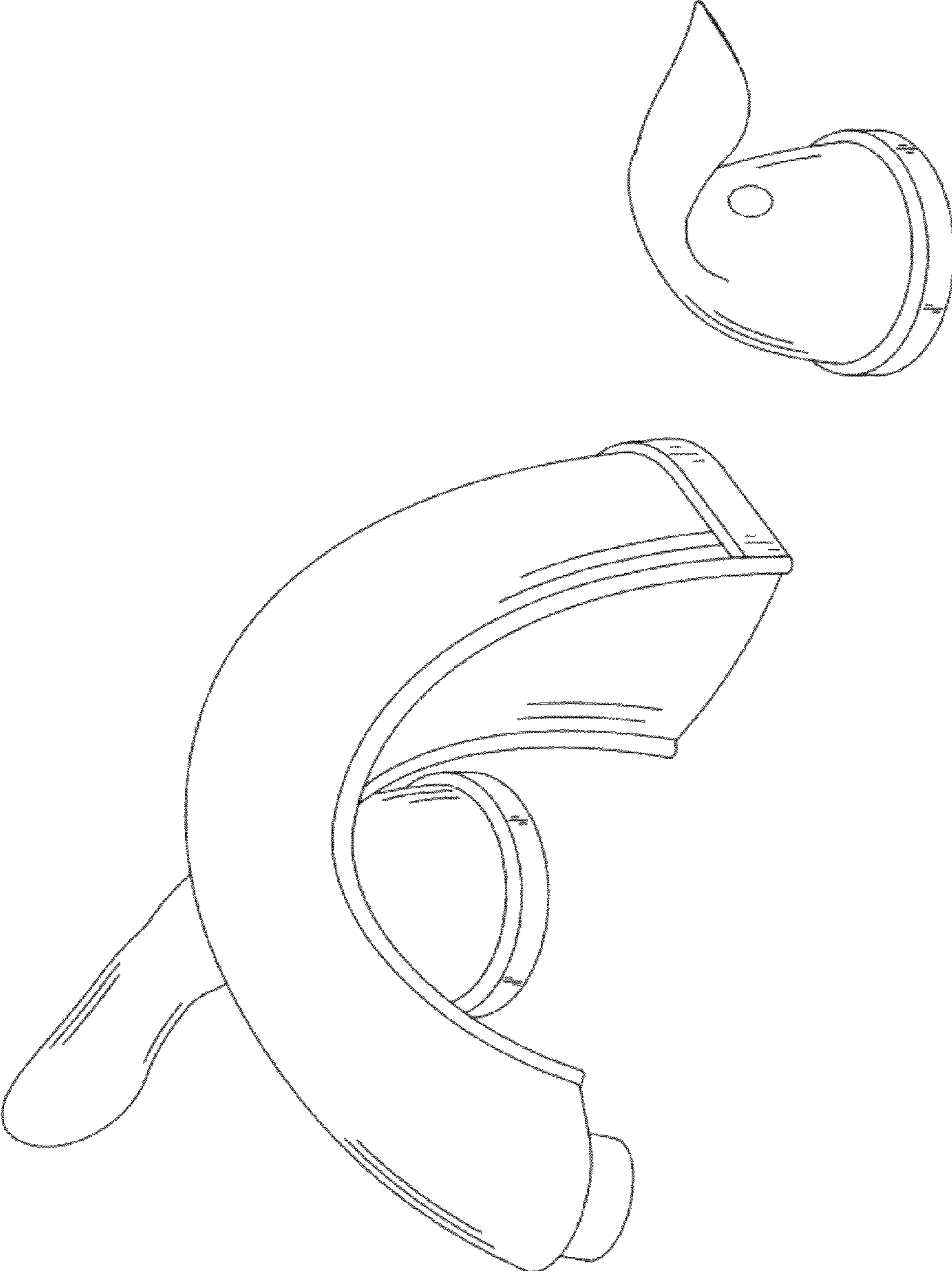


FIG. 1

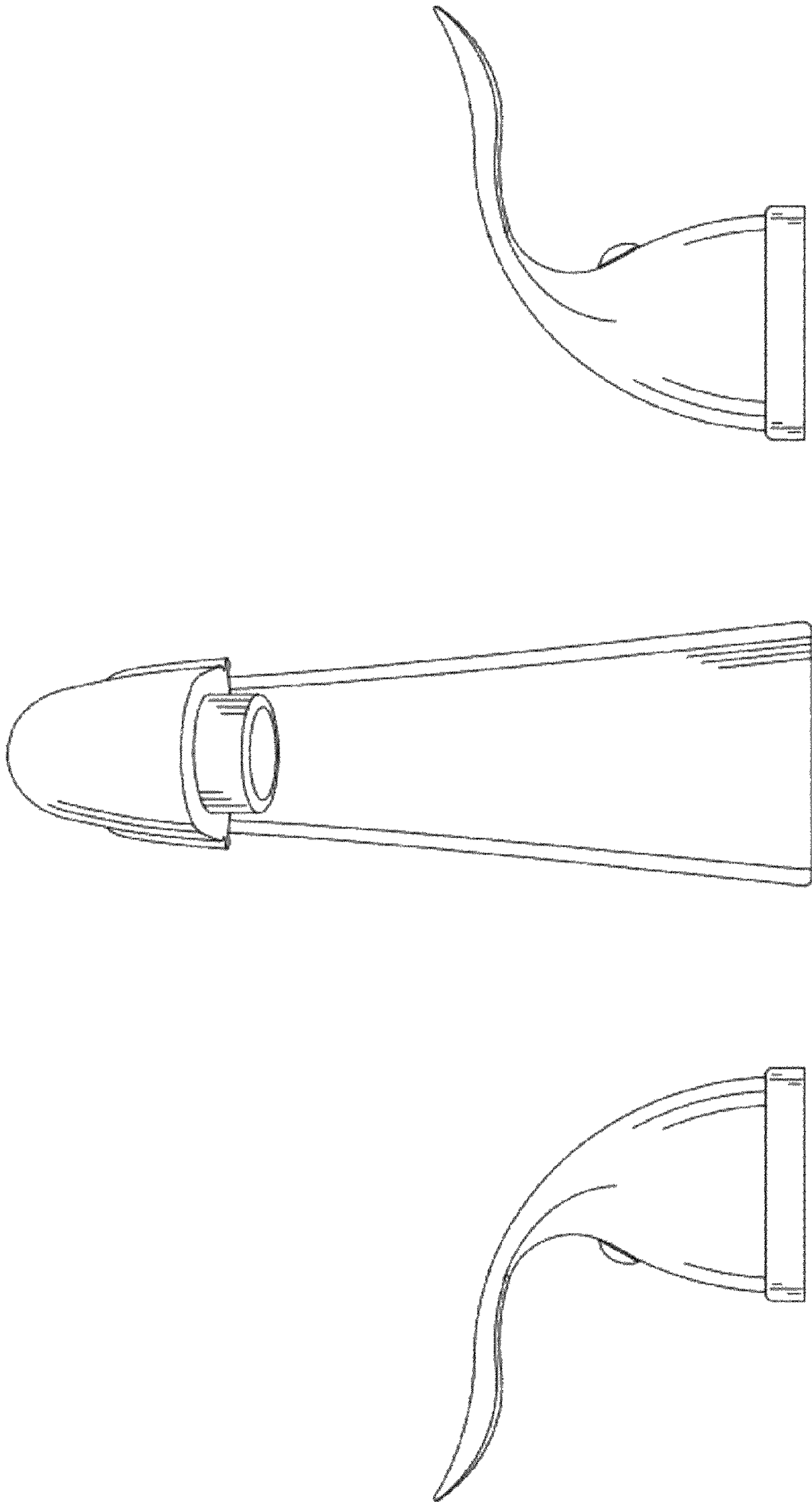


FIG. 2

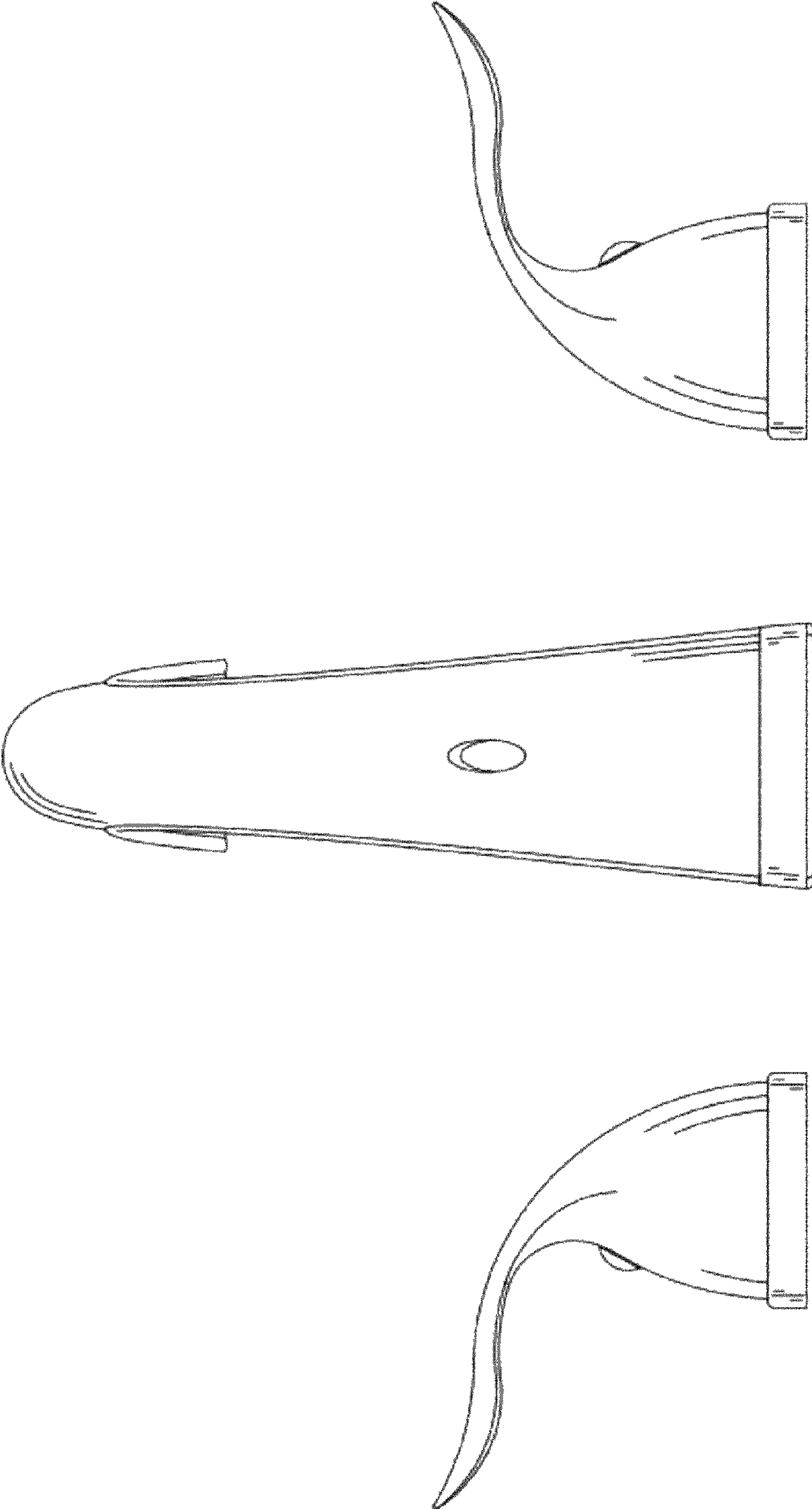


FIG. 3

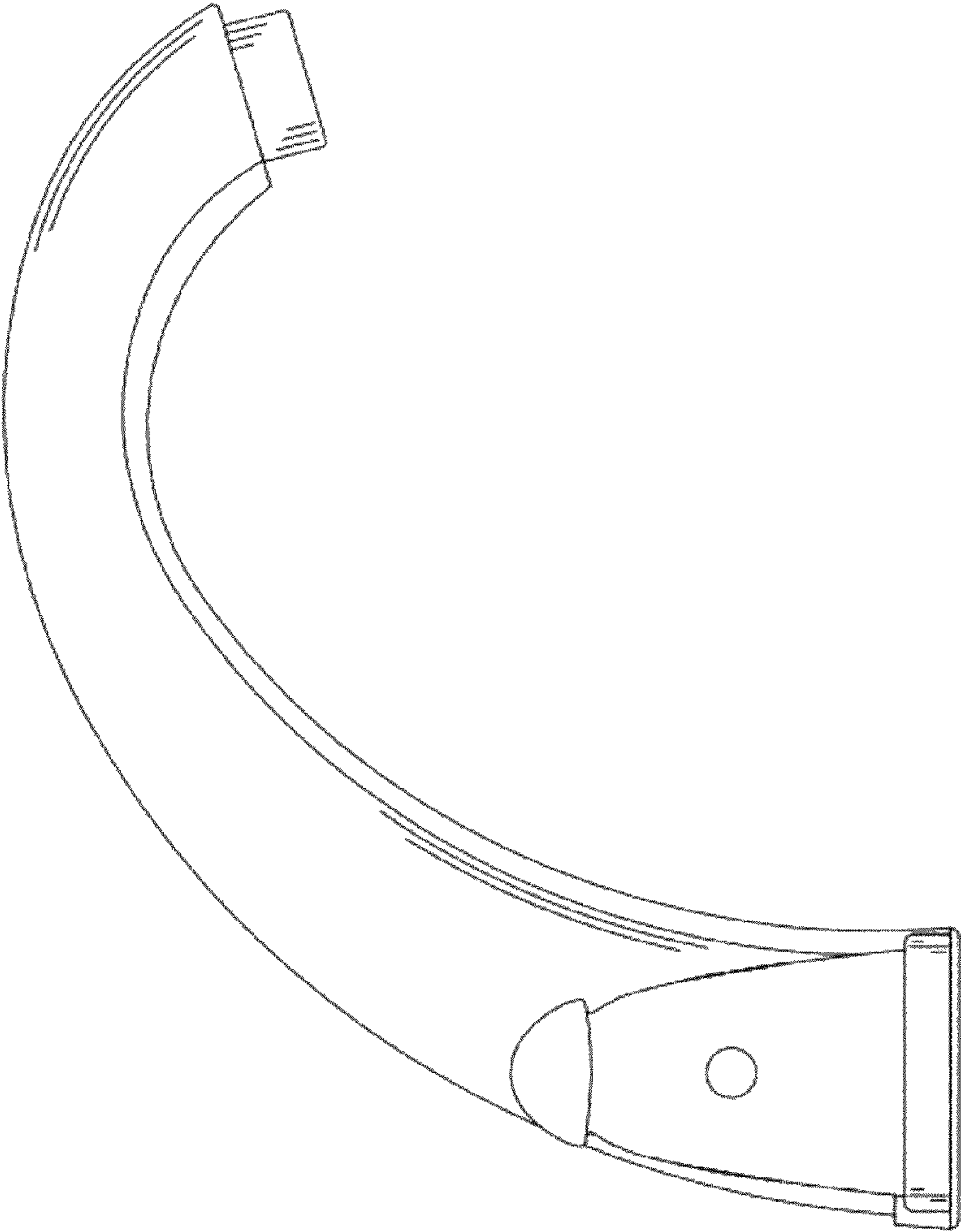


FIG. 4

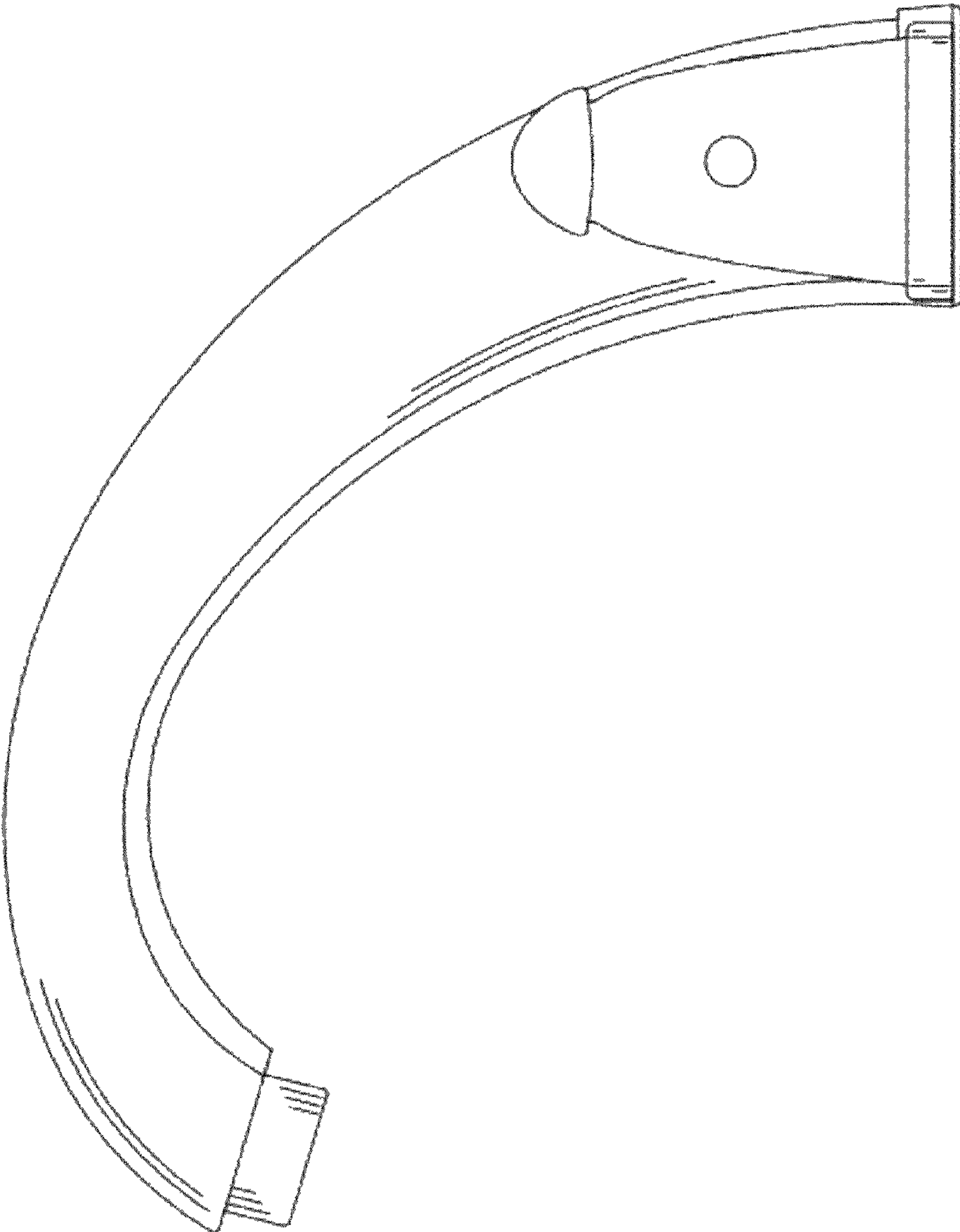


FIG. 5

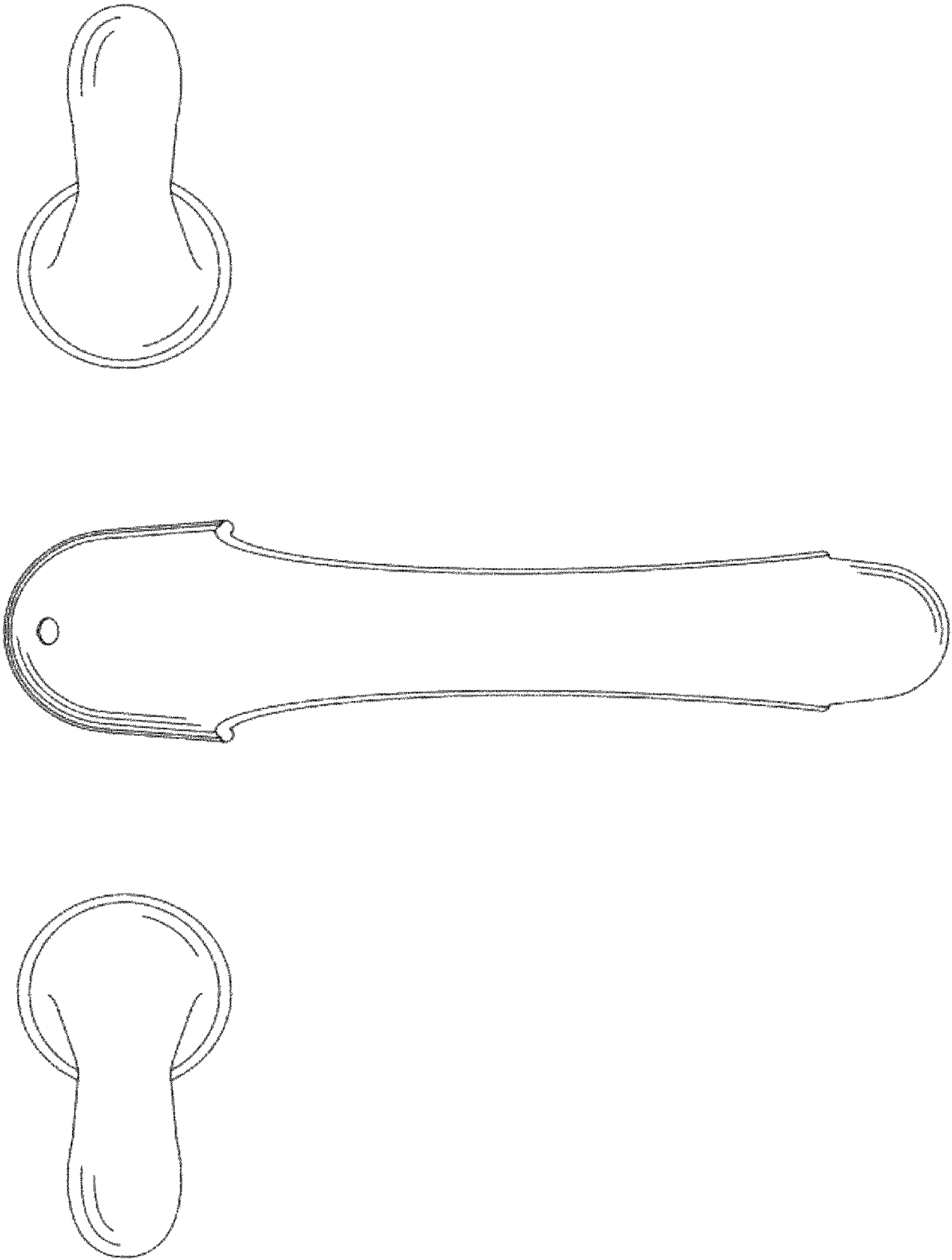


FIG. 6