



US00D656585S

(12) **United States Design Patent**
McKeone

(10) **Patent No.:** **US D656,585 S**
(45) **Date of Patent:** **** Mar. 27, 2012**

(54) **FAUCET**

(75) Inventor: **William C. McKeone**, Sheboygan, WI
(US)

(73) Assignee: **Kohler Co.**, Kohler, WI (US)

(**) Term: **14 Years**

(21) Appl. No.: **29/404,364**

(22) Filed: **Oct. 19, 2011**

Related U.S. Application Data

(62) Division of application No. 29/376,996, filed on Oct. 15, 2010, now Pat. No. Des. 649,224.

(30) **Foreign Application Priority Data**

Apr. 15, 2010 (EM) 001208771

(51) **LOC (9) Cl.** **02-01**

(52) **U.S. Cl.** **D23/238**

(58) **Field of Classification Search** D23/238-243,
D23/250, 255; 4/675-678; 137/801

See application file for complete search history.

(56) **References Cited**

U.S. PATENT DOCUMENTS

D478,371 S *	8/2003	Ouyoung	D23/238
D530,786 S *	10/2006	Gilbert	D23/238
D577,421 S *	9/2008	Williams	D23/238
D594,091 S *	6/2009	Schoenherr et al.	D23/238
D602,122 S *	10/2009	Corbett	D23/238

* cited by examiner

Primary Examiner — Robert Delehanty

(74) *Attorney, Agent, or Firm* — Foley & Lardner LLP

(57) **CLAIM**

I claim the ornamental design for a faucet, as shown and described.

DESCRIPTION

FIG. 1 is a top, right front perspective view of a faucet embodying the new design;
FIG. 2 is a right side view thereof;
FIG. 3 is a left side view thereof;
FIG. 4 is a front elevational view thereof;
FIG. 5 is a rear elevational view thereof;
FIG. 6 is a top plan view thereof; and,
FIG. 7 is a bottom plan view thereof.
The ornamental design which is claimed is shown in solid lines in the drawings. The broken lines in the drawings are for illustrative purposes only and form no part of the claimed design.

1 Claim, 4 Drawing Sheets

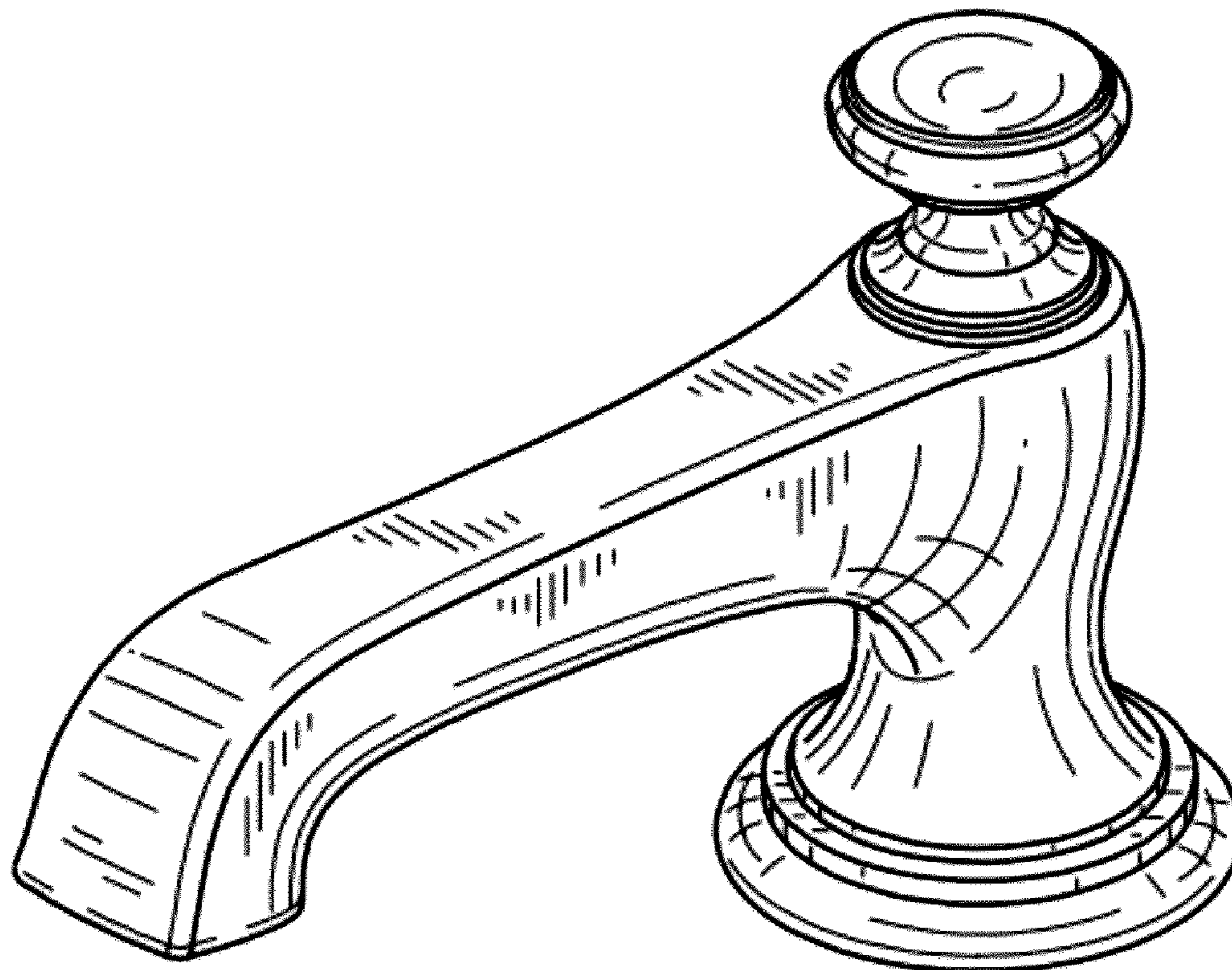


FIG. 1

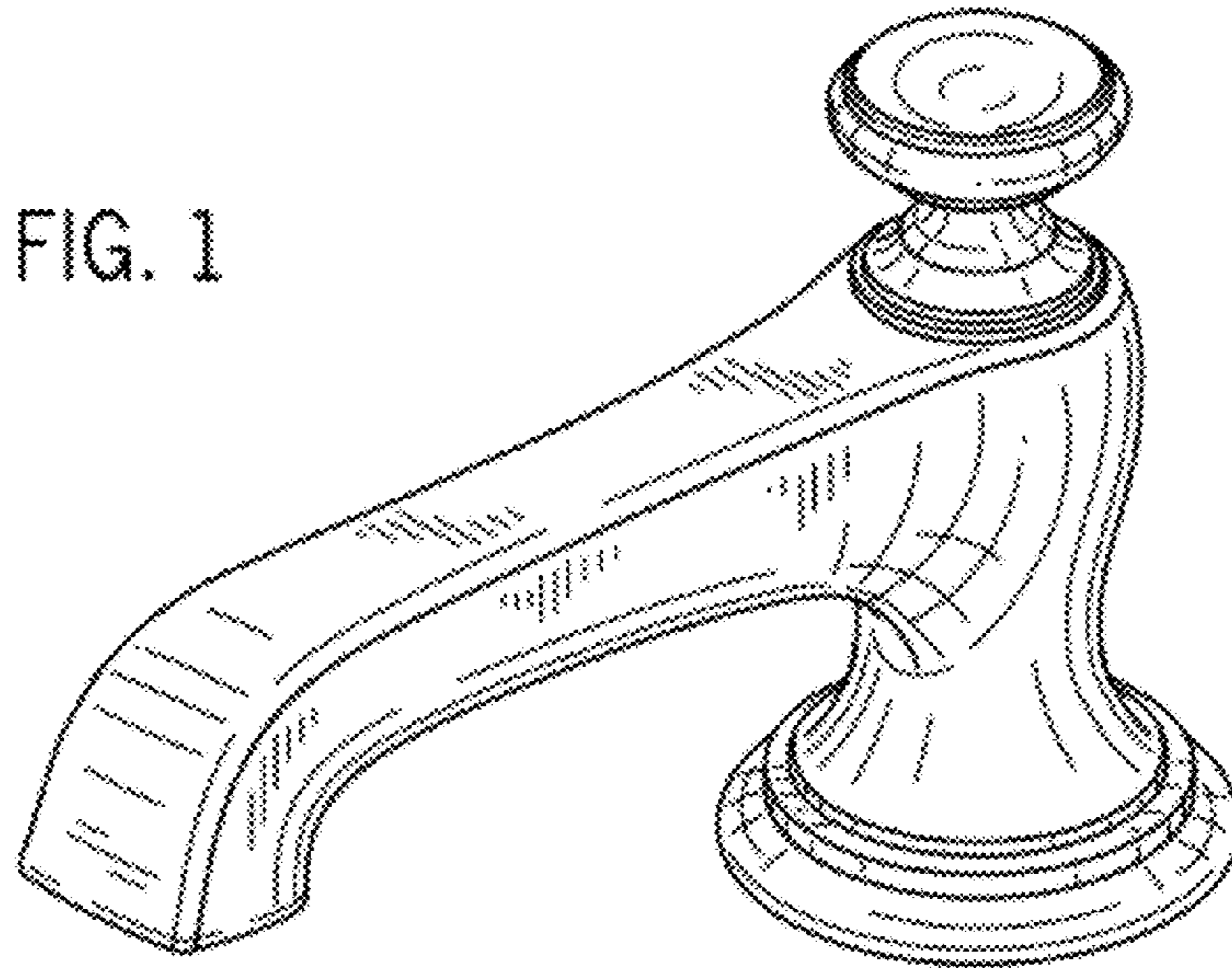
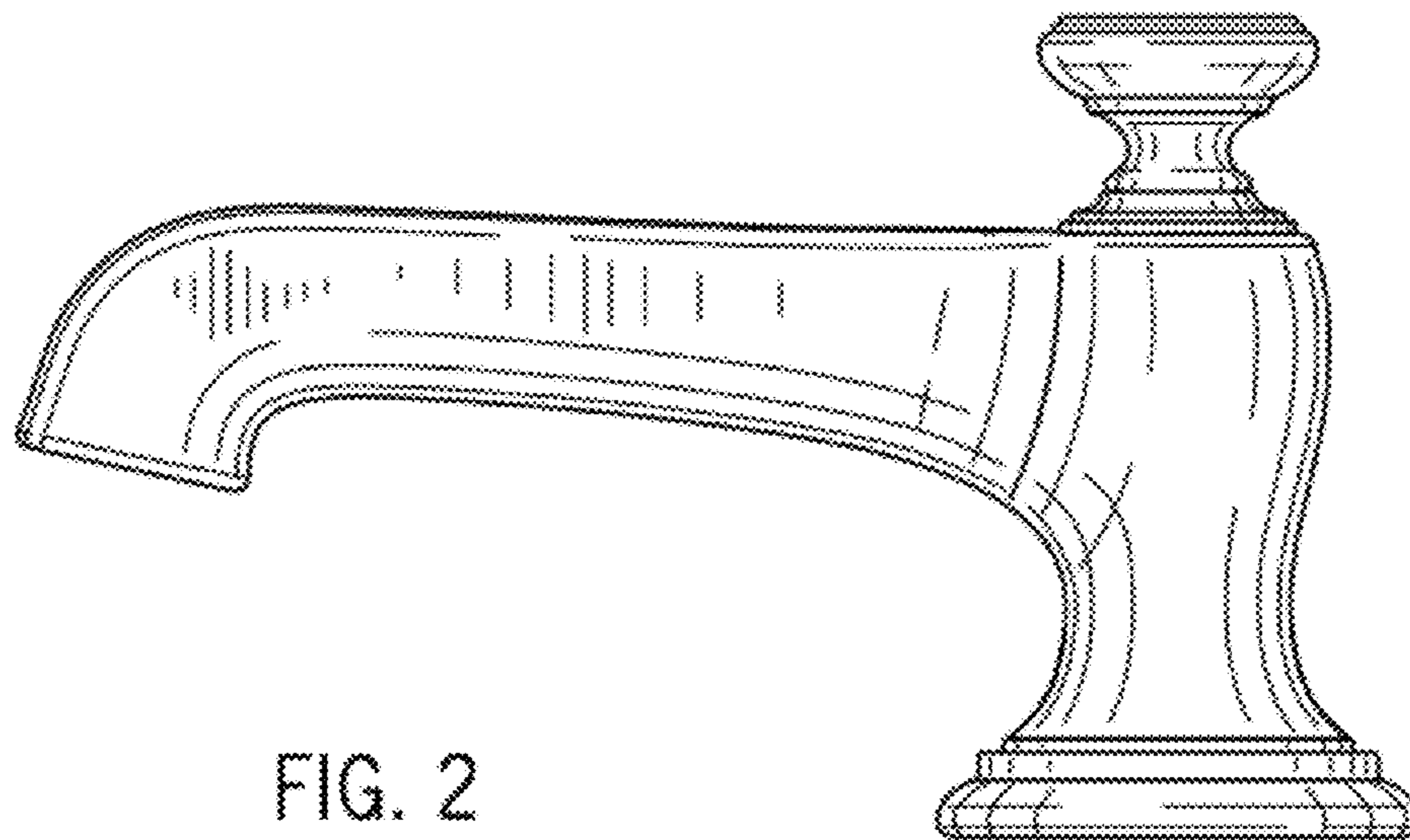


FIG. 2



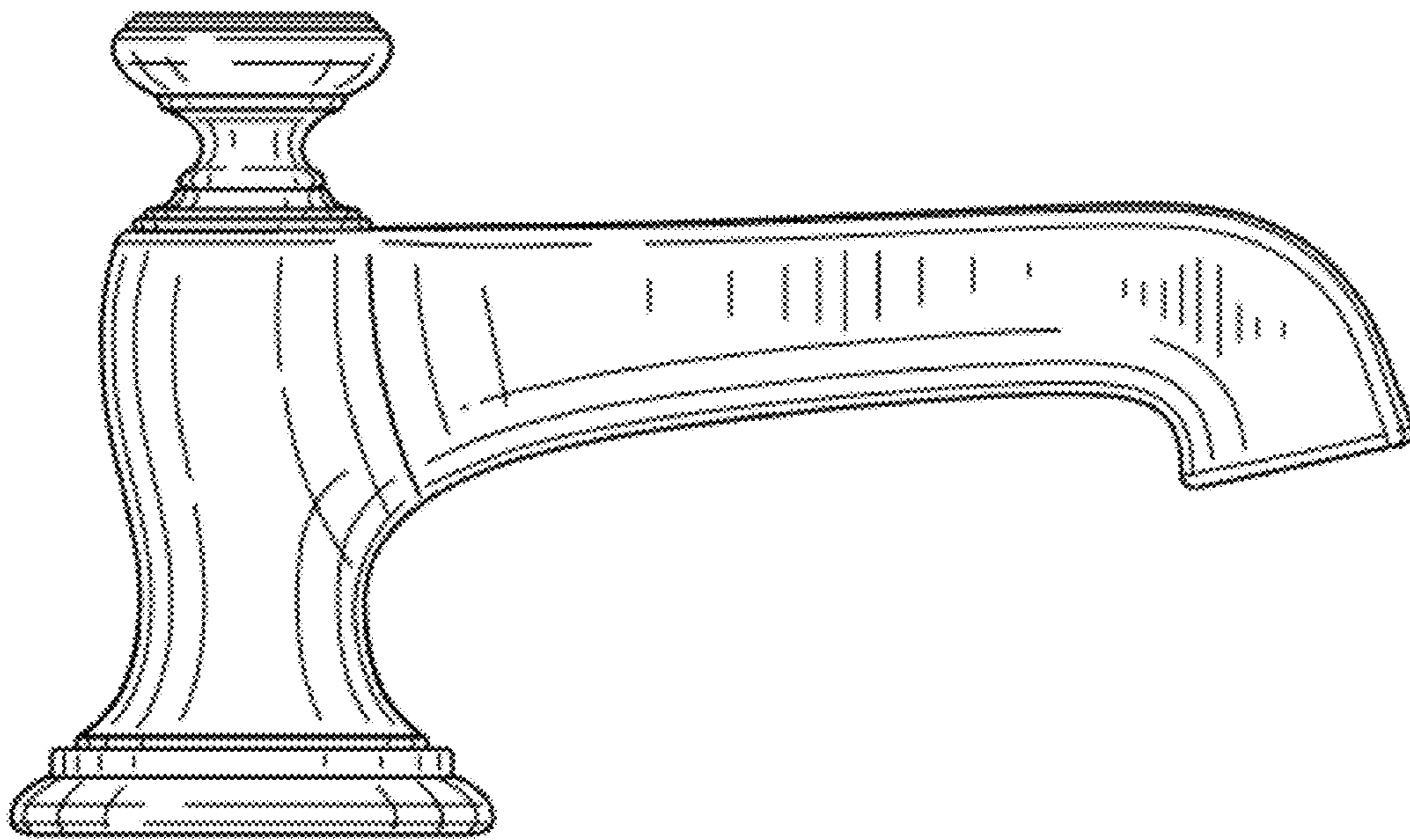


FIG. 3

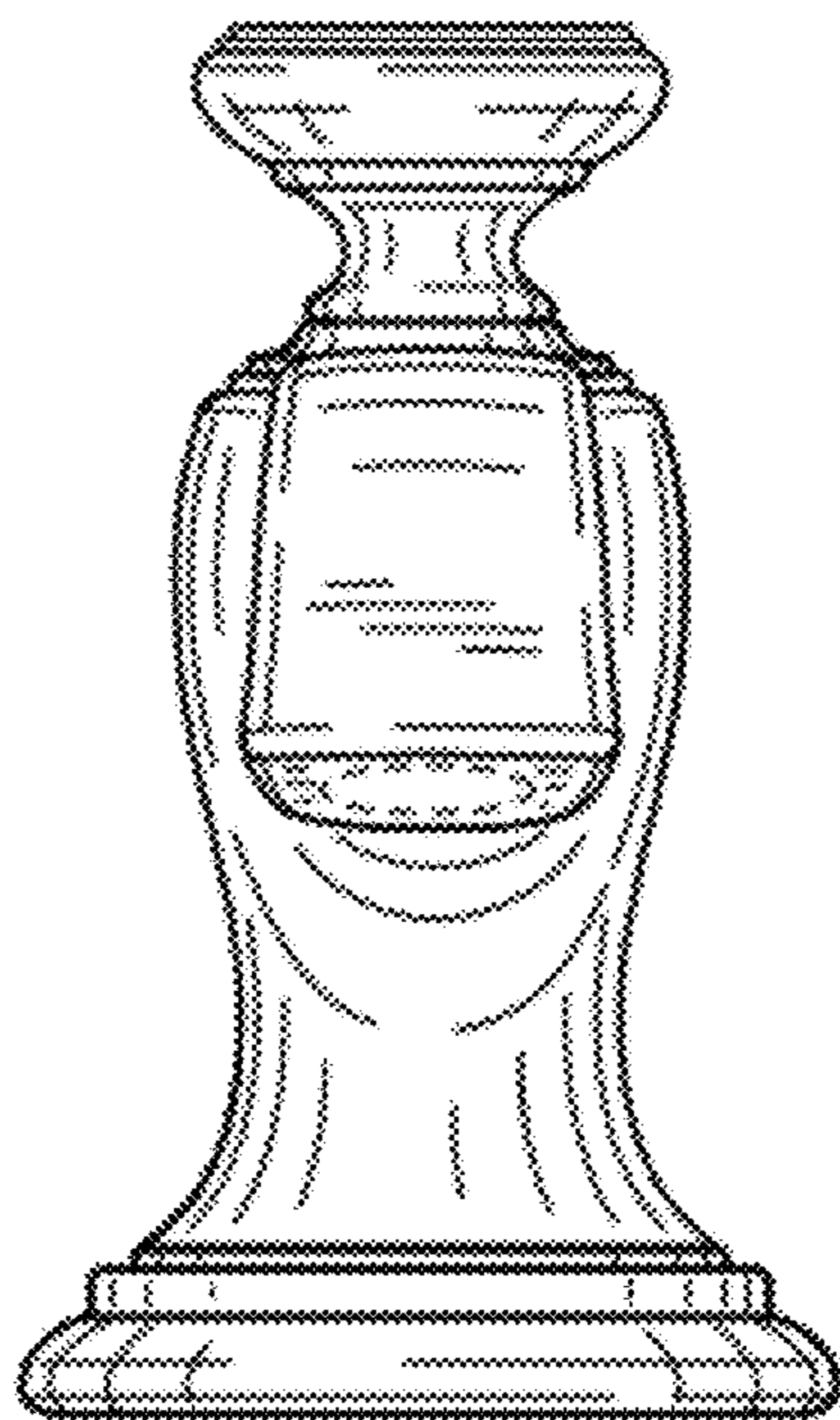


FIG. 4

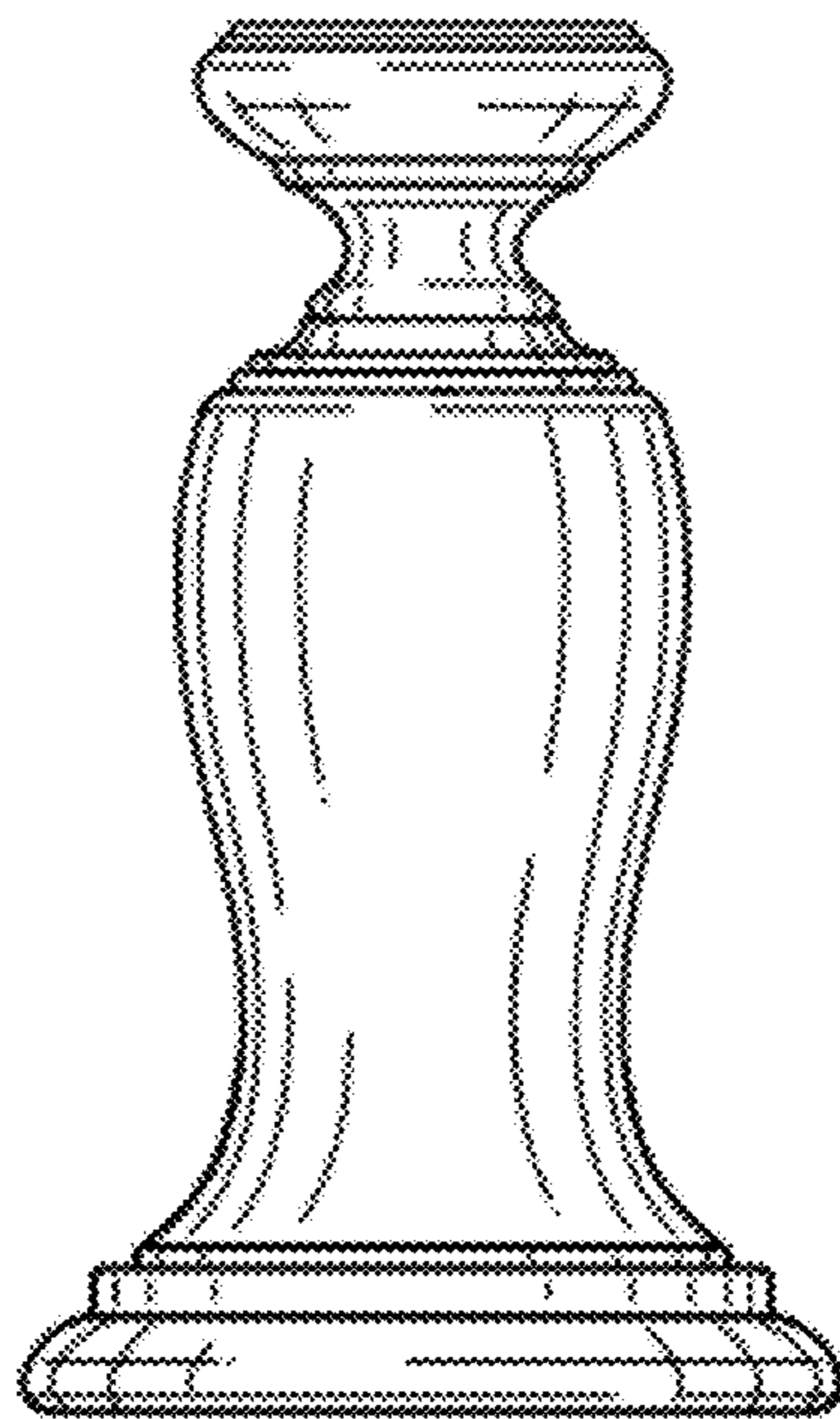


FIG. 5

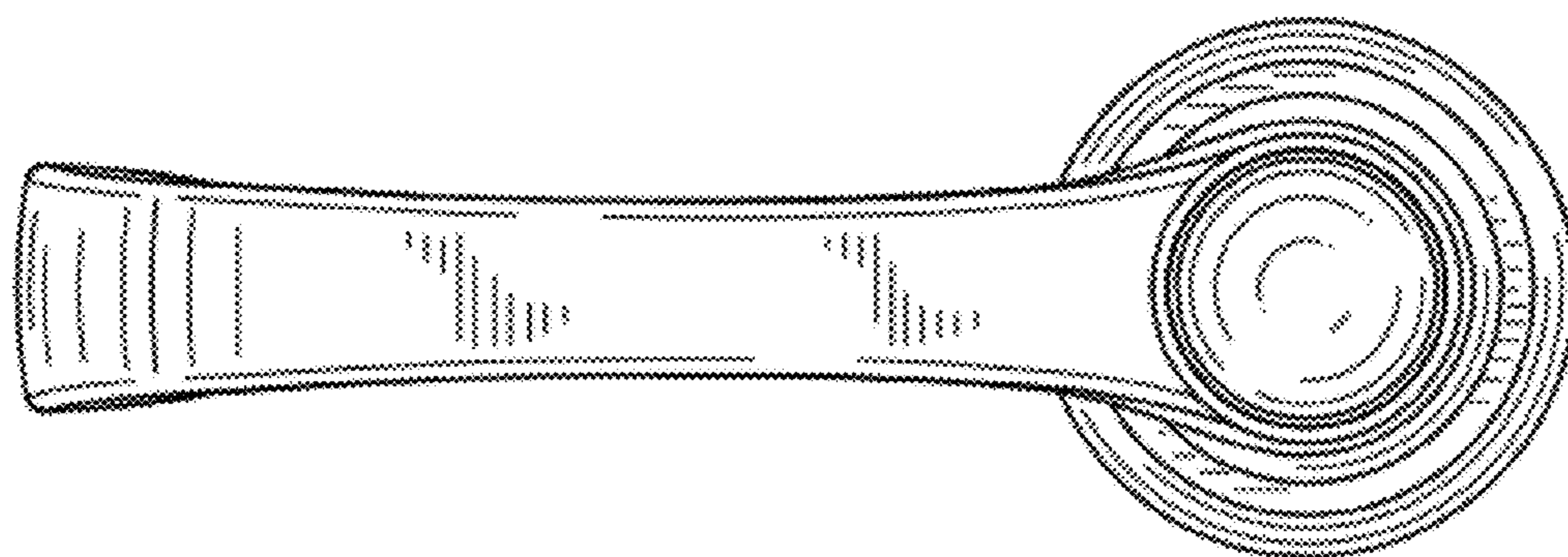


FIG. 6

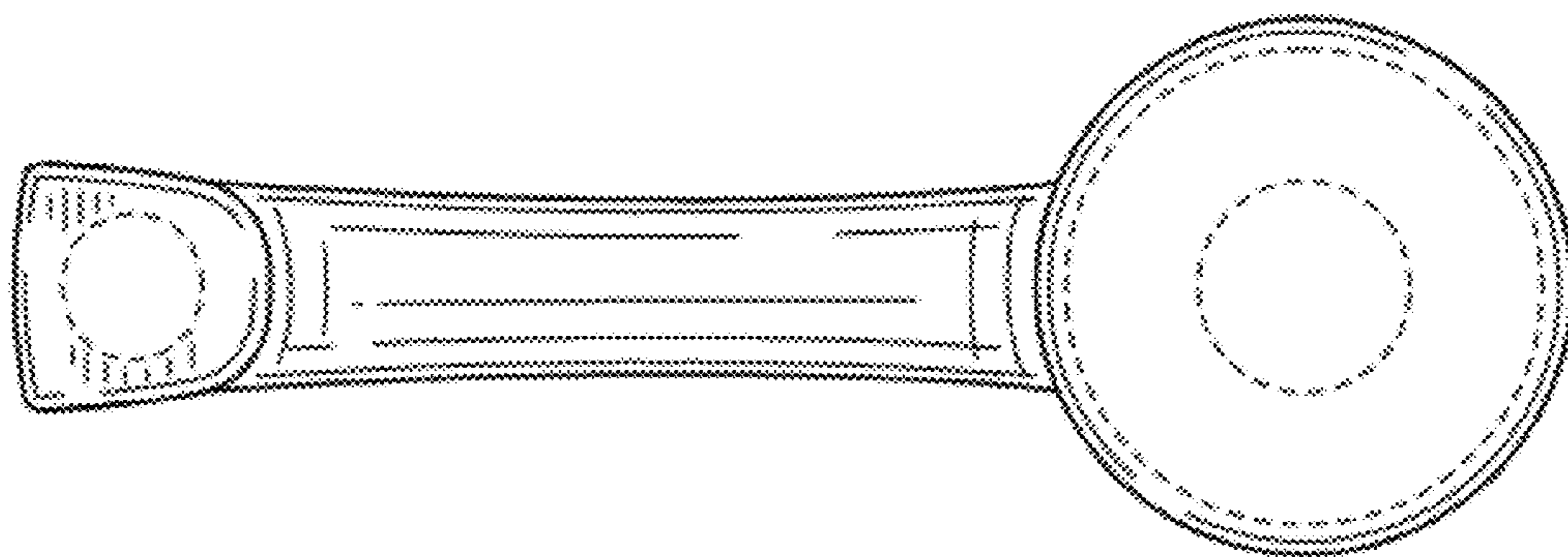


FIG. 7