



US00D656583S

(12) **United States Design Patent**
Hudson, Jr. et al.

(10) **Patent No.:** **US D656,583 S**
(45) **Date of Patent:** **** Mar. 27, 2012**

(54) **SPRAYER**

(75) Inventors: **Robert C. Hudson, Jr.**, Northbrook, IL (US); **William A. Hudson**, Fox Point, WI (US); **Robert S. Smith**, Repentigny (CA); **Jeff Bull**, Naperville, IL (US)

(73) Assignee: **H.D. Hudson Manufacturing Company**, Chicago, IL (US)

(**) Term: **14 Years**

(21) Appl. No.: **29/345,042**

(22) Filed: **Oct. 8, 2009**

(51) **LOC (9) Cl.** **23-01**

(52) **U.S. Cl.** **D23/225; D23/202**

(58) **Field of Classification Search** D23/202, D23/225; 239/308, 310, 332, 333, 337
See application file for complete search history.

(56) **References Cited**

U.S. PATENT DOCUMENTS

4,192,464	A	*	3/1980	Chow	239/373
D311,571	S	*	10/1990	Ballu	D23/225
D312,297	S	*	11/1990	Ballu	D23/225
D327,528	S	*	6/1992	Sears et al.	D23/225

D347,047	S	*	5/1994	Wood	D23/225
D431,279	S	*	9/2000	Spiegel	D23/225
6,695,228	B2	*	2/2004	Odessa	239/337
D516,168	S	*	2/2006	Leer et al.	D23/225
D578,182	S	*	10/2008	Moran et al.	D23/225

* cited by examiner

Primary Examiner — Robin V Webster

(74) *Attorney, Agent, or Firm* — Marshall, Gerstein & Borun LLP; Richard M. LaBarge

(57) **CLAIM**

The ornamental design for a sprayer, as shown and described.

DESCRIPTION

FIG. 1 is a front, right side, and top perspective view of a sprayer that has the design.

FIG. 2 is a front elevation of the sprayer.

FIG. 3 is a back elevation of the sprayer.

FIG. 4 is a right side elevation of the sprayer.

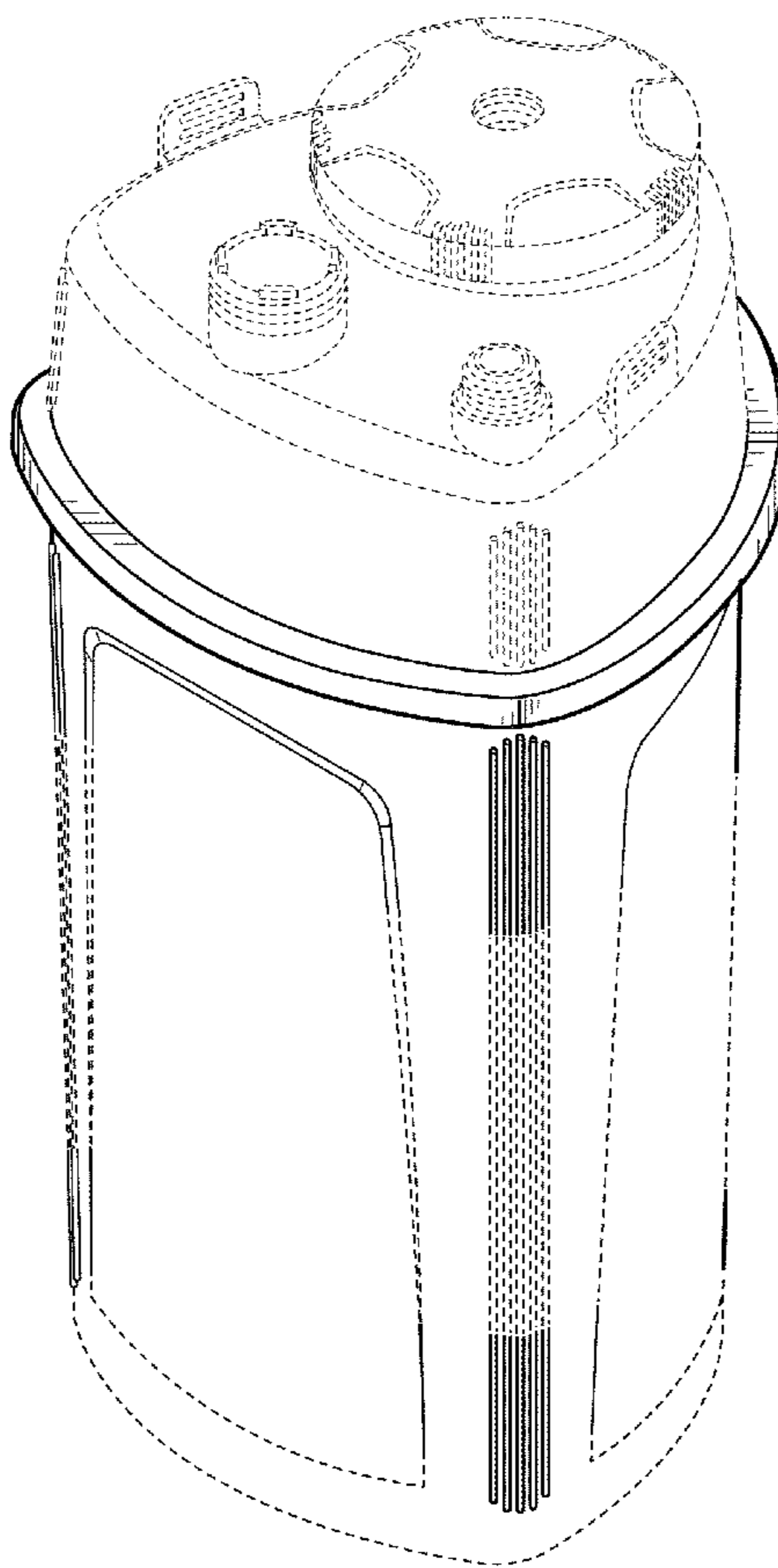
FIG. 5 is a left side elevation of the sprayer.

FIG. 6 is a top plan view of the sprayer; and,

FIG. 7 is a bottom plan view of the sprayer.

The broken line showing of parts of the sprayer is to illustrate possible configurations of unclaimed parts of the sprayer, and forms no part of the claimed design.

1 Claim, 7 Drawing Sheets



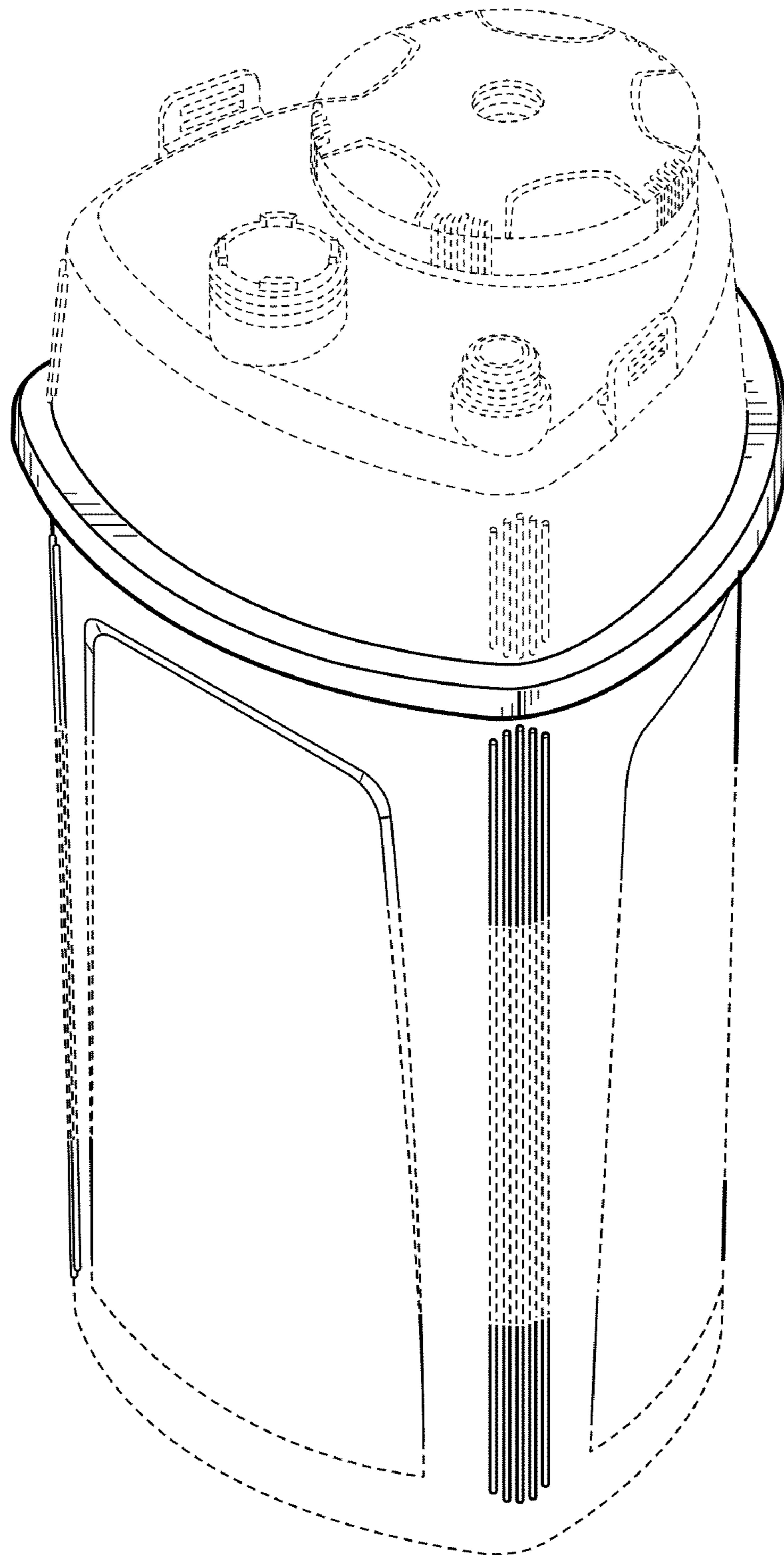


FIG. 1

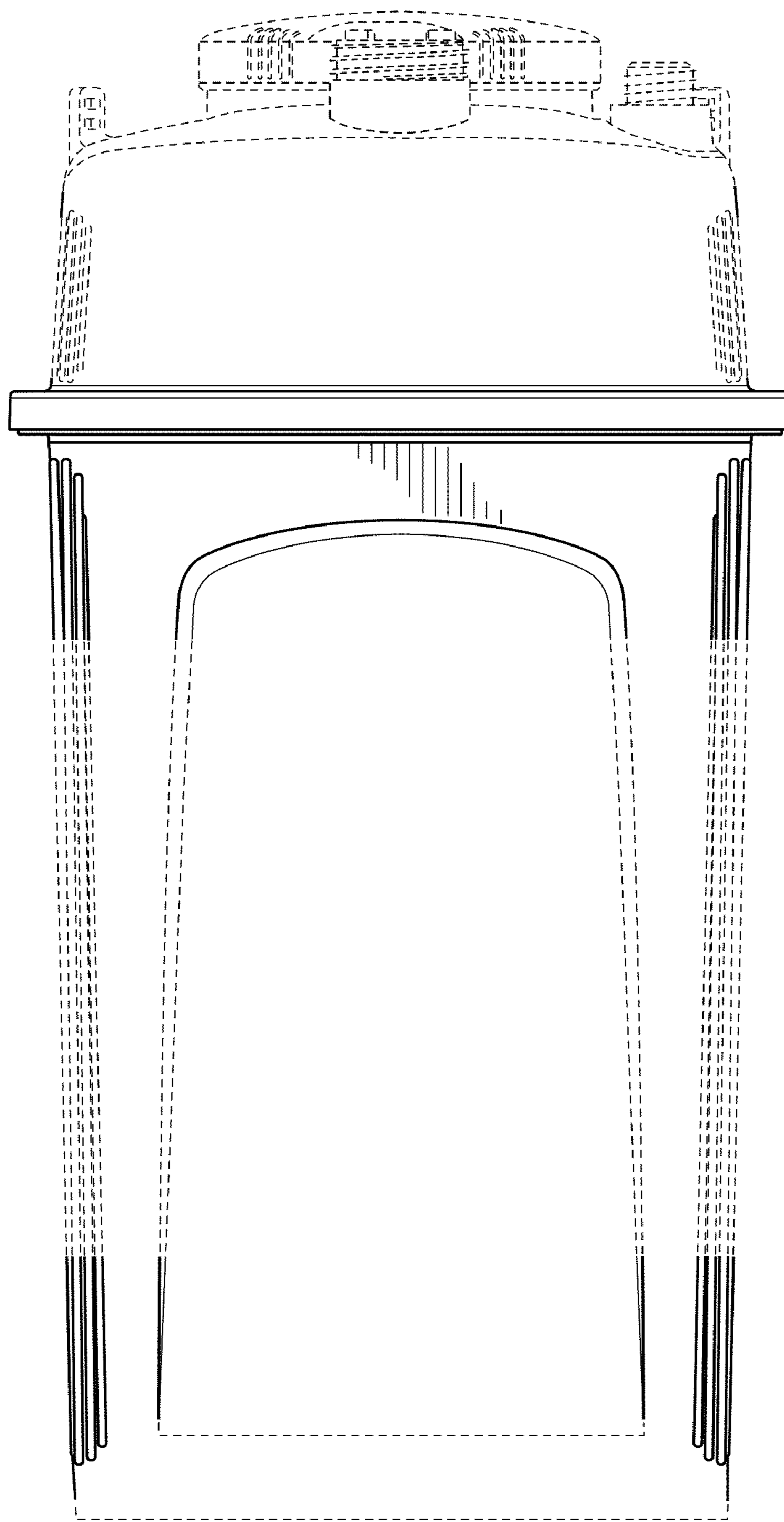


FIG. 2

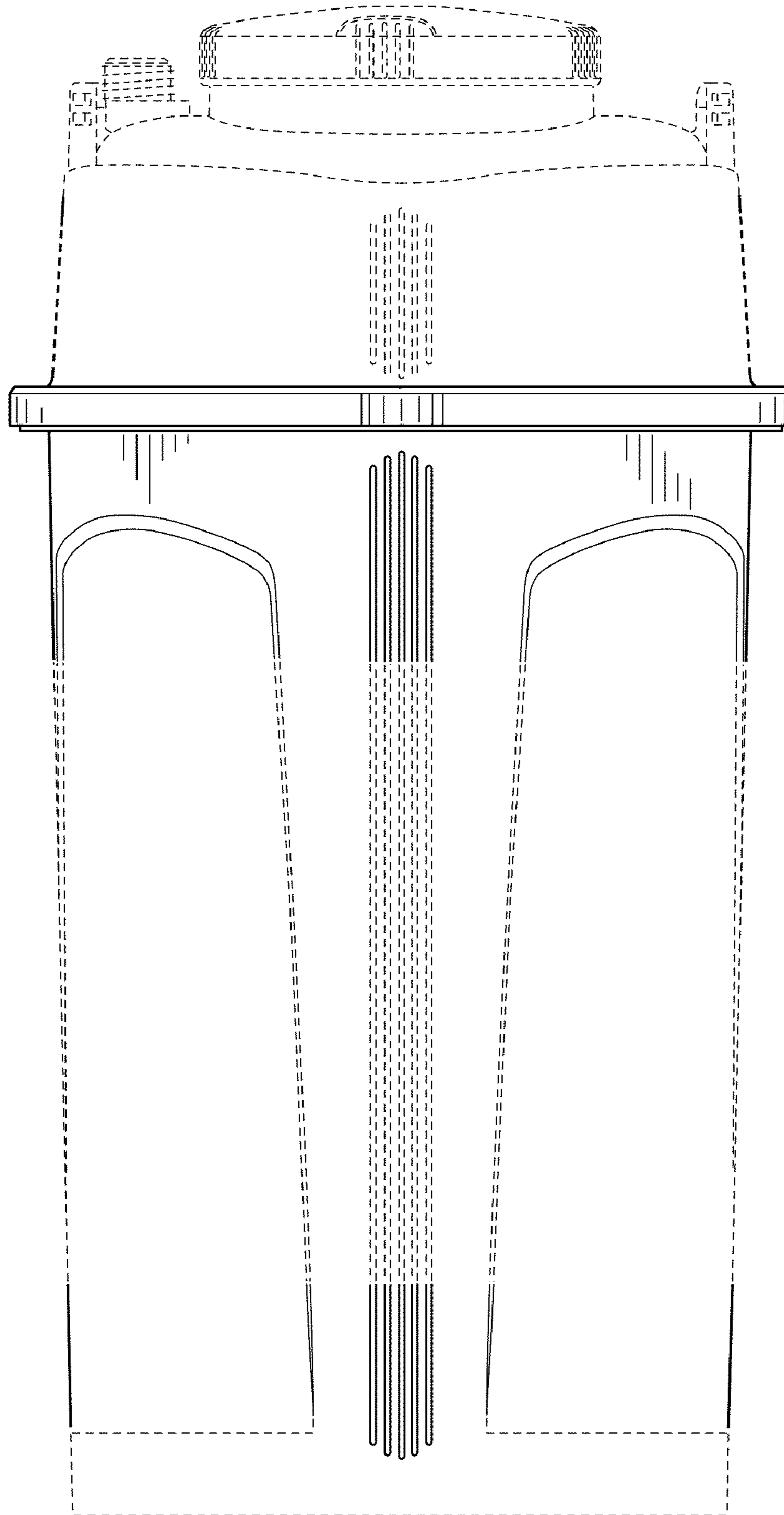


FIG. 3

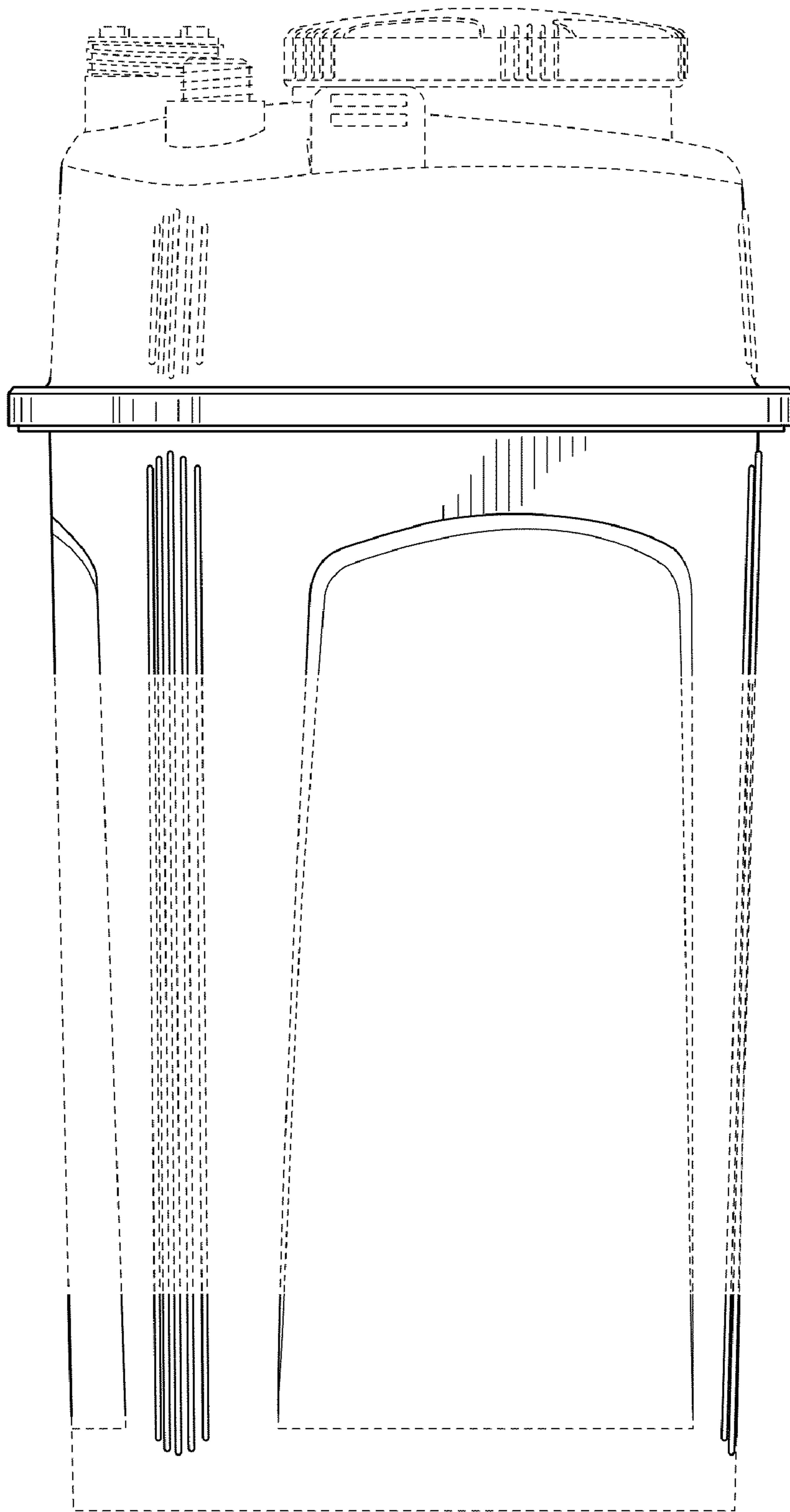


FIG. 4

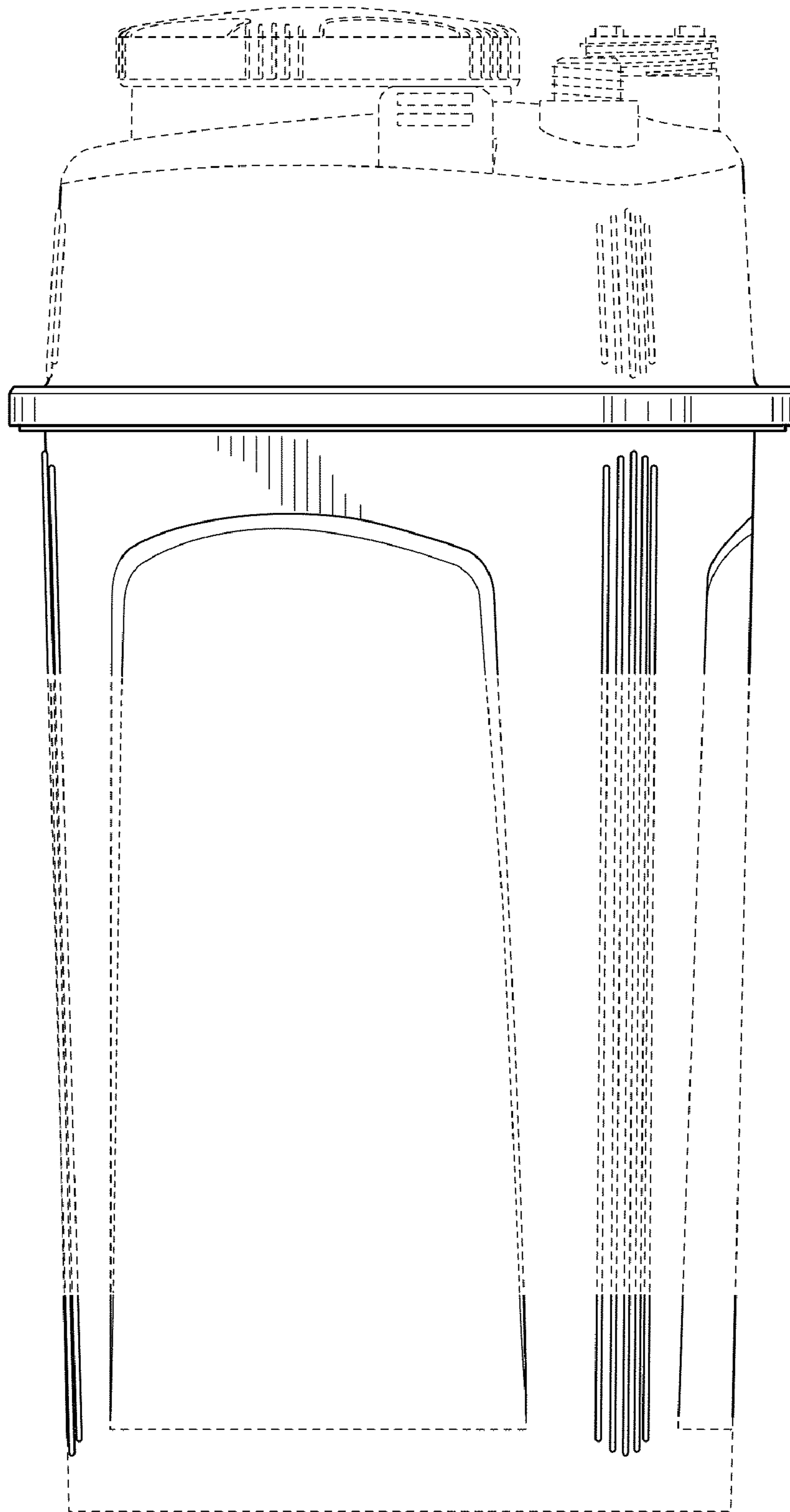


FIG. 5

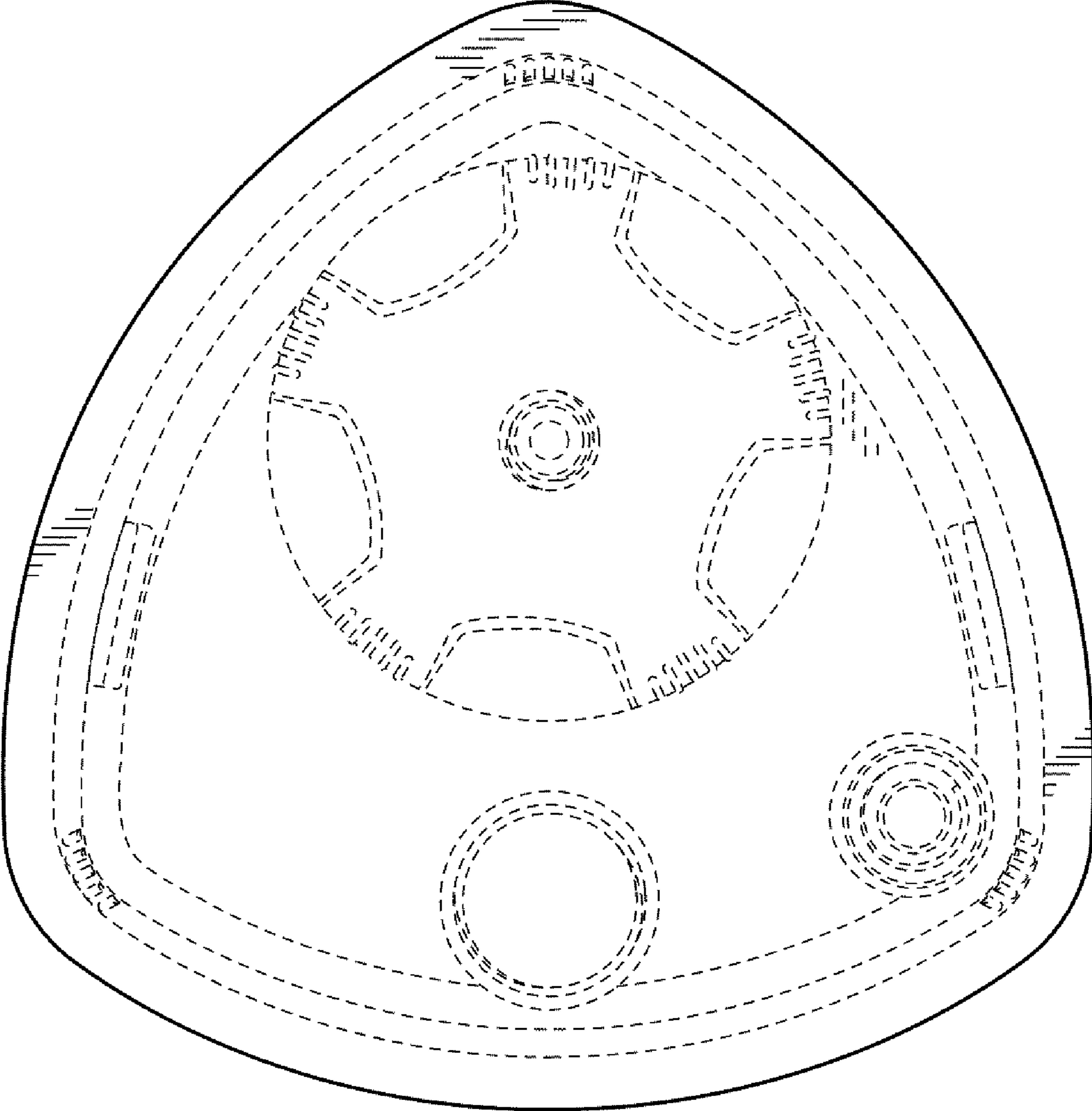


FIG. 6

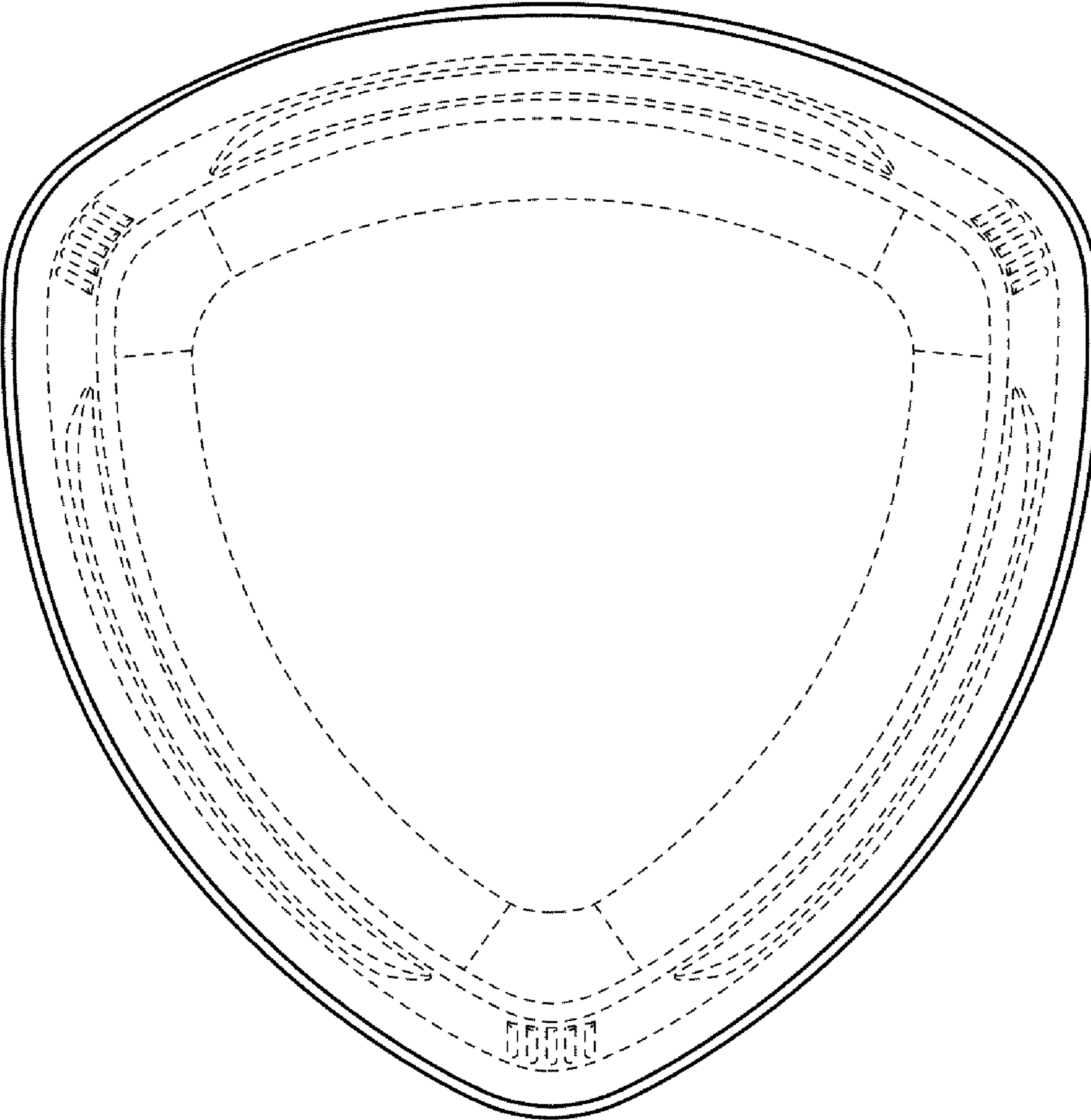


FIG. 7