

US00D656581S

(12) **United States Design Patent**
Guenther

(10) **Patent No.:** **US D656,581 S**
(45) **Date of Patent:** **** Mar. 27, 2012**

(54) **DAIRY TEAT SPRAYER**

(75) Inventor: **Scott Guenther**, Fishers, IN (US)

(73) Assignee: **Lonn, Inc.**, Indianapolis, IN (US)

(**) Term: **14 Years**

(21) Appl. No.: **29/388,951**

(22) Filed: **Apr. 5, 2011**

(51) **LOC (9) Cl.** **23-01**

(52) **U.S. Cl.** **D23/213; D23/223**

(58) **Field of Classification Search** D23/213,
D23/223, 226; 239/525-527; 119/14.08,
119/14.22

See application file for complete search history.

(56) **References Cited**

U.S. PATENT DOCUMENTS

6,481,372 B2 * 11/2002 van der Lely et al. 119/14.08
6,591,784 B1 * 7/2003 Eriksson 119/670

6,726,129 B2 * 4/2004 Kao 239/587.1
D549,802 S 8/2007 Guenther
D621,472 S * 8/2010 Falls D23/213

* cited by examiner

Primary Examiner — Robin V Webster

(74) *Attorney, Agent, or Firm* — Woodard, Emhardt,
Moriarty, McNett & Henry LLP

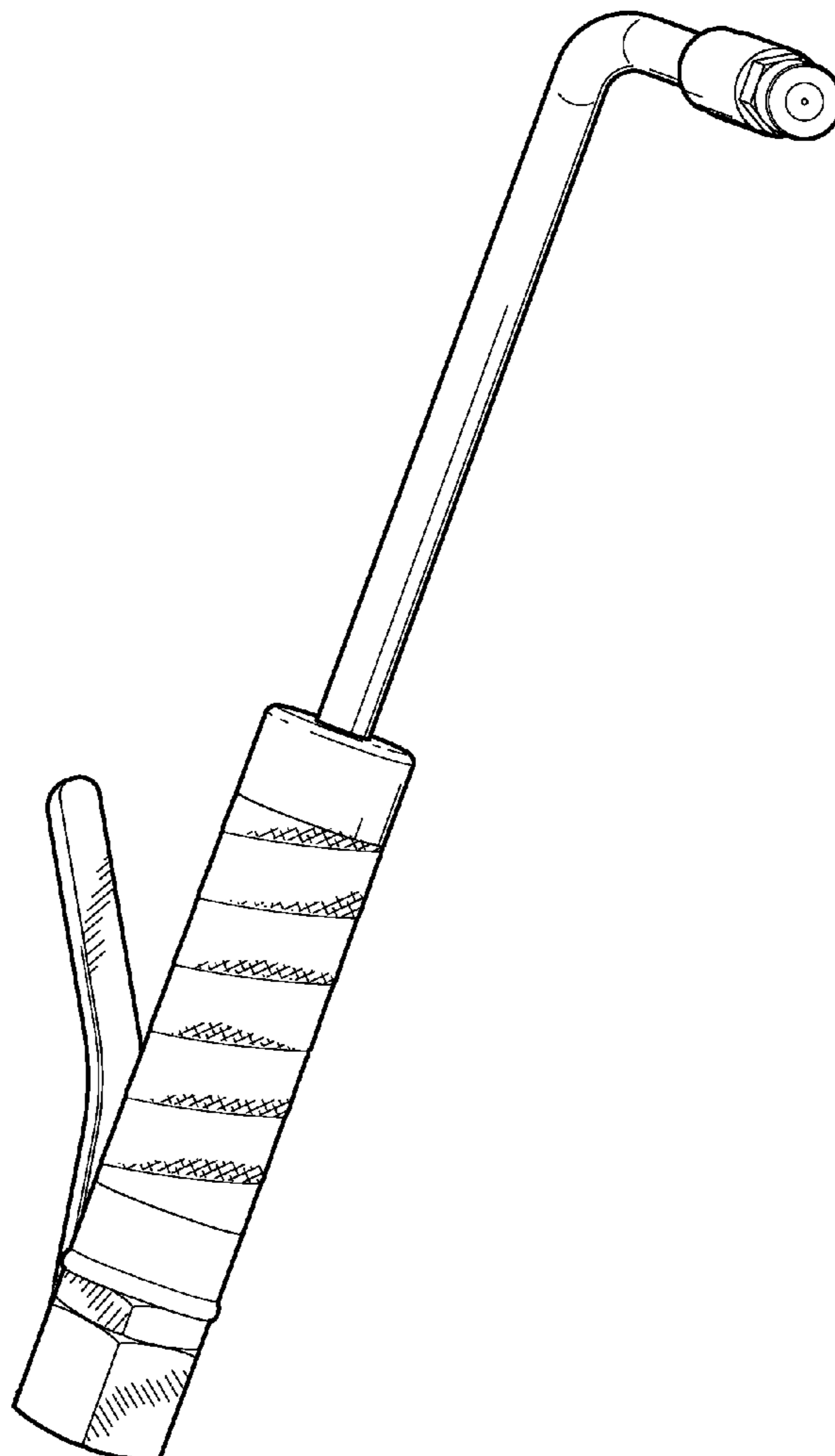
(57) **CLAIM**

The ornamental design for a dairy teat sprayer, as shown and described.

DESCRIPTION

FIG. 1 is a left side view of a dairy teat sprayer showing my new design;
FIG. 2 is a perspective view thereof;
FIG. 3 is a right side view thereof;
FIG. 4 is a top view thereof;
FIG. 5 is a bottom view thereof;
FIG. 6 is a rear view thereof; and,
FIG. 7 is a front view thereof.

1 Claim, 3 Drawing Sheets



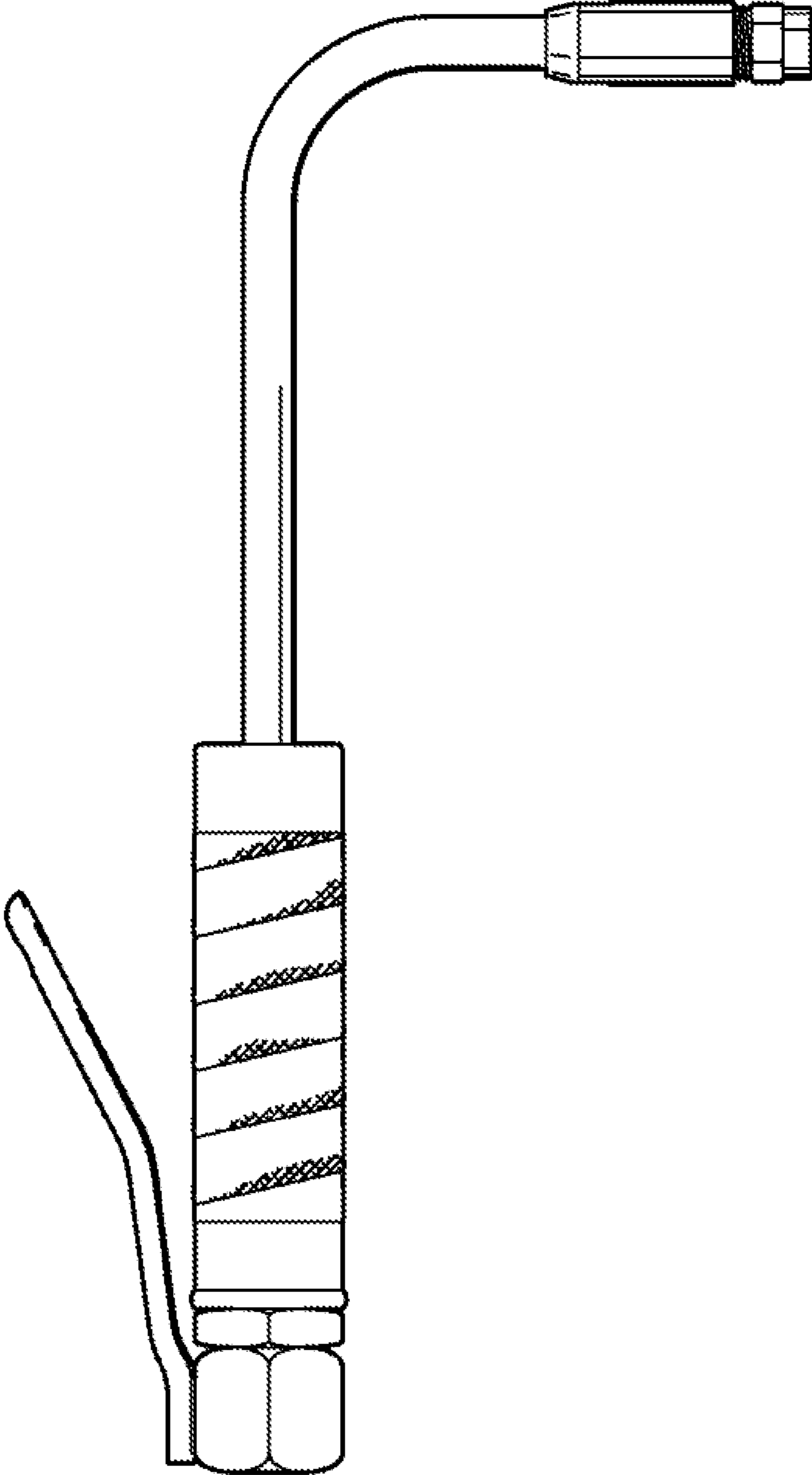


Fig. 1

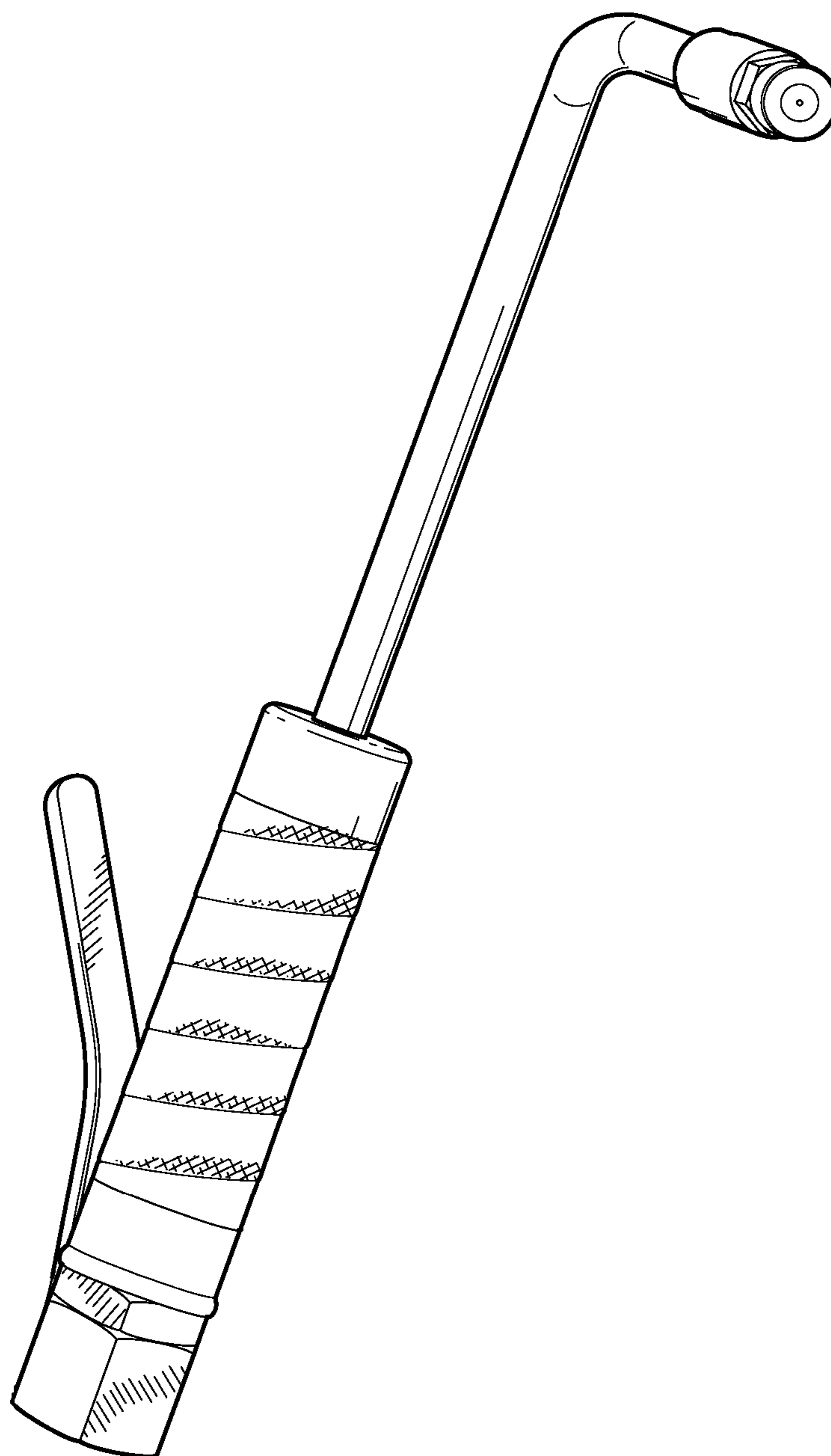


Fig. 2

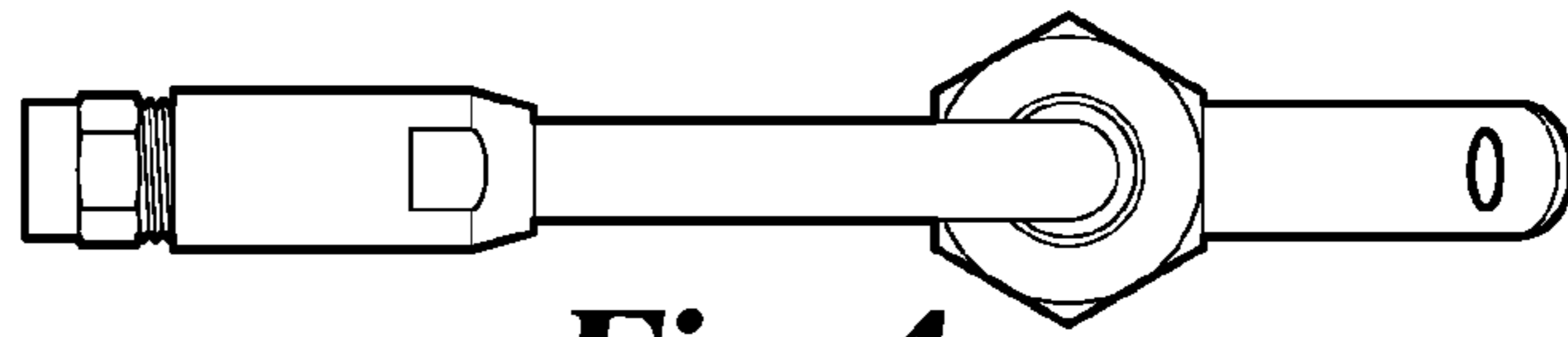


Fig. 4

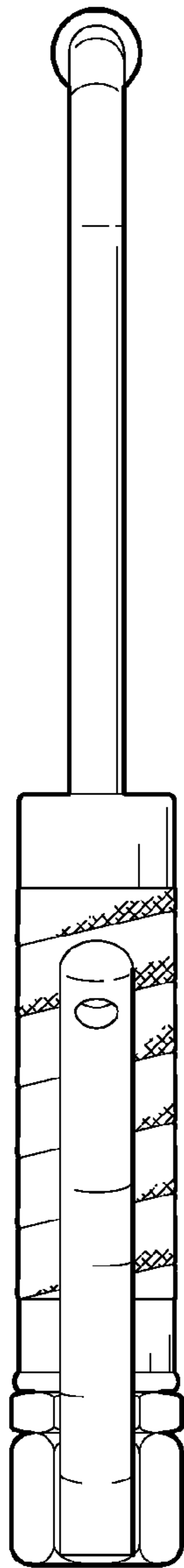


Fig. 6

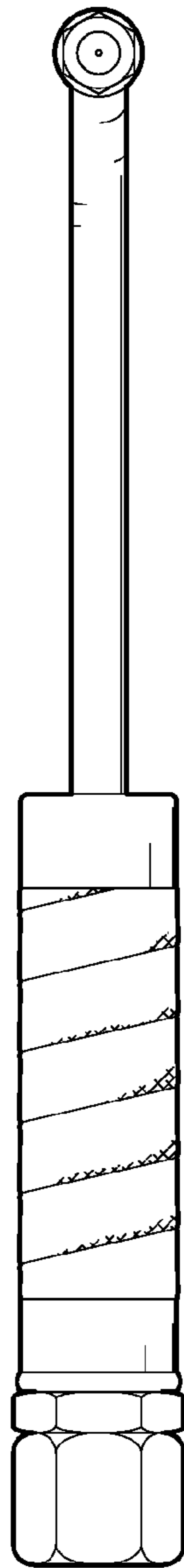


Fig. 7

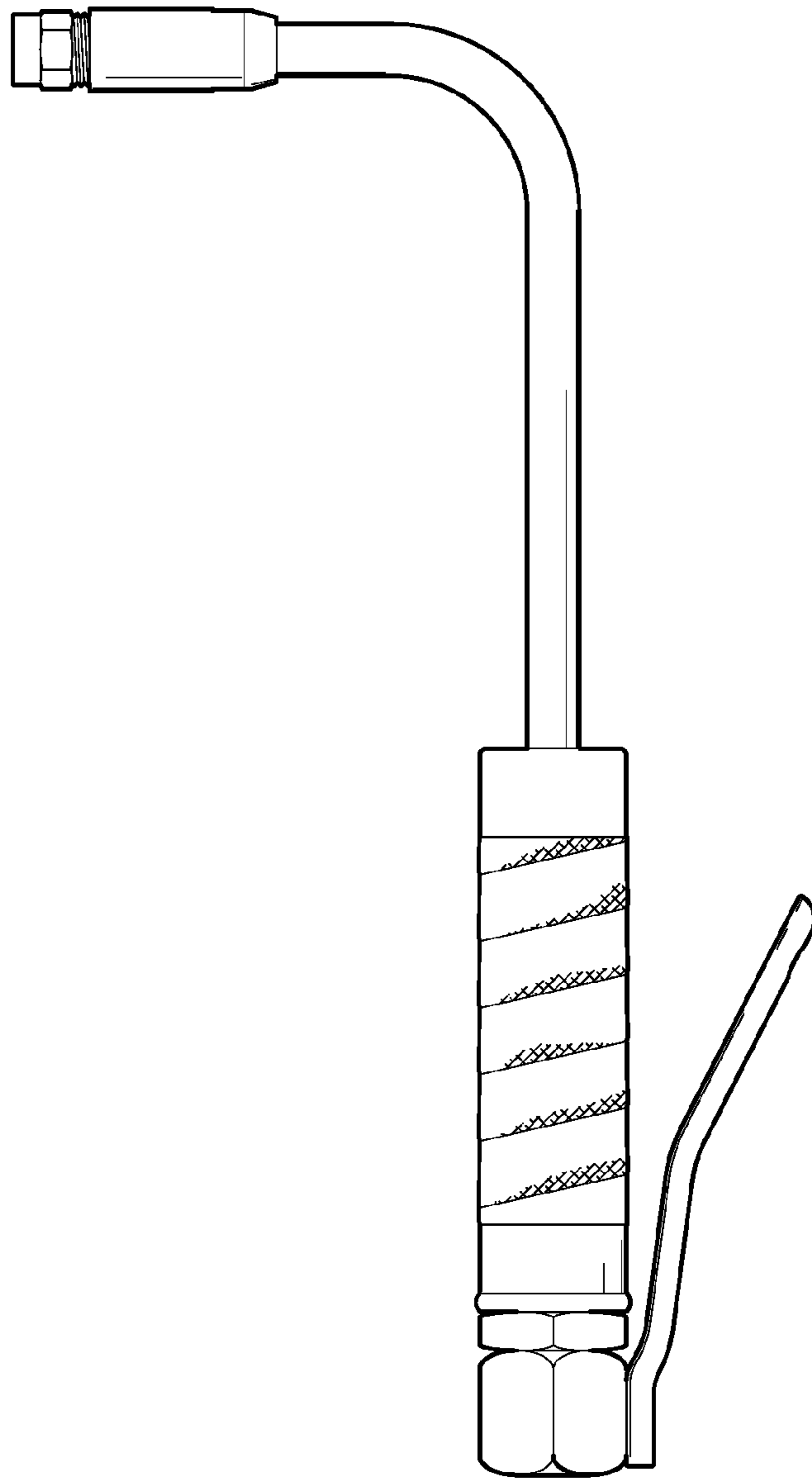


Fig. 3

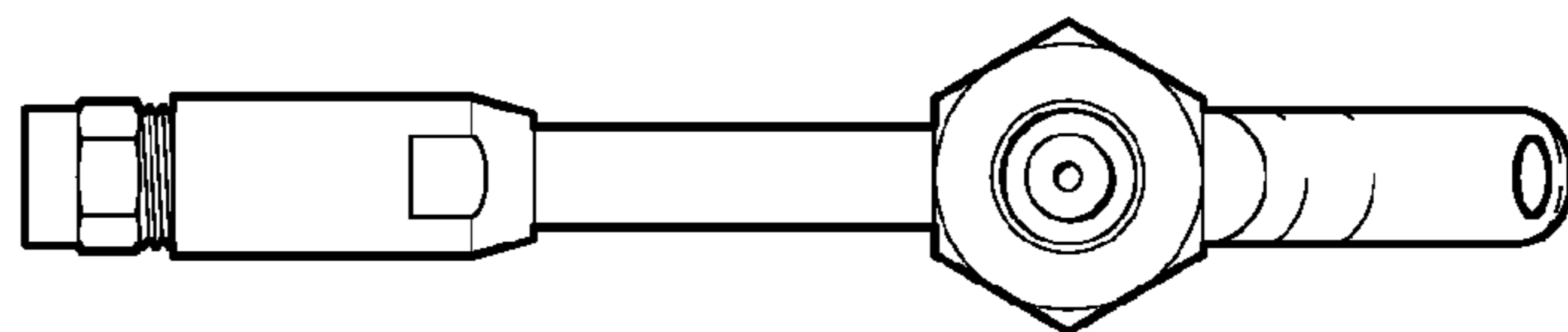


Fig. 5