



US00D656580S

(12) **United States Design Patent**
Sherman et al.

(10) **Patent No.:** **US D656,580 S**
(45) **Date of Patent:** **** Mar. 27, 2012**

(54) **CASSETTE FILTER MANIFOLD**

(75) Inventors: **Michael Sherman**, Woodbury, MN (US); **Stephen P. Huda**, Shelton, CT (US); **Steven J. Haehn**, Oakdale, MN (US)

(73) Assignee: **KX Technologies, LLC**, West Haven, CT (US)

(**) Term: **14 Years**

(21) Appl. No.: **29/398,177**

(22) Filed: **Jul. 27, 2011**

(51) **LOC (9) Cl.** **23-01**

(52) **U.S. Cl.** **D23/209**

(58) **Field of Classification Search** D23/207-209; 210/340, 341, 282, 232, 266, 493.2
See application file for complete search history.

(56) **References Cited**

U.S. PATENT DOCUMENTS

D295,438 S * 4/1988 Bray et al. D23/207

* cited by examiner

Primary Examiner — Robin Webster

(74) *Attorney, Agent, or Firm* — DeLio & Peterson, LLC; Robert Curcio, Esq.

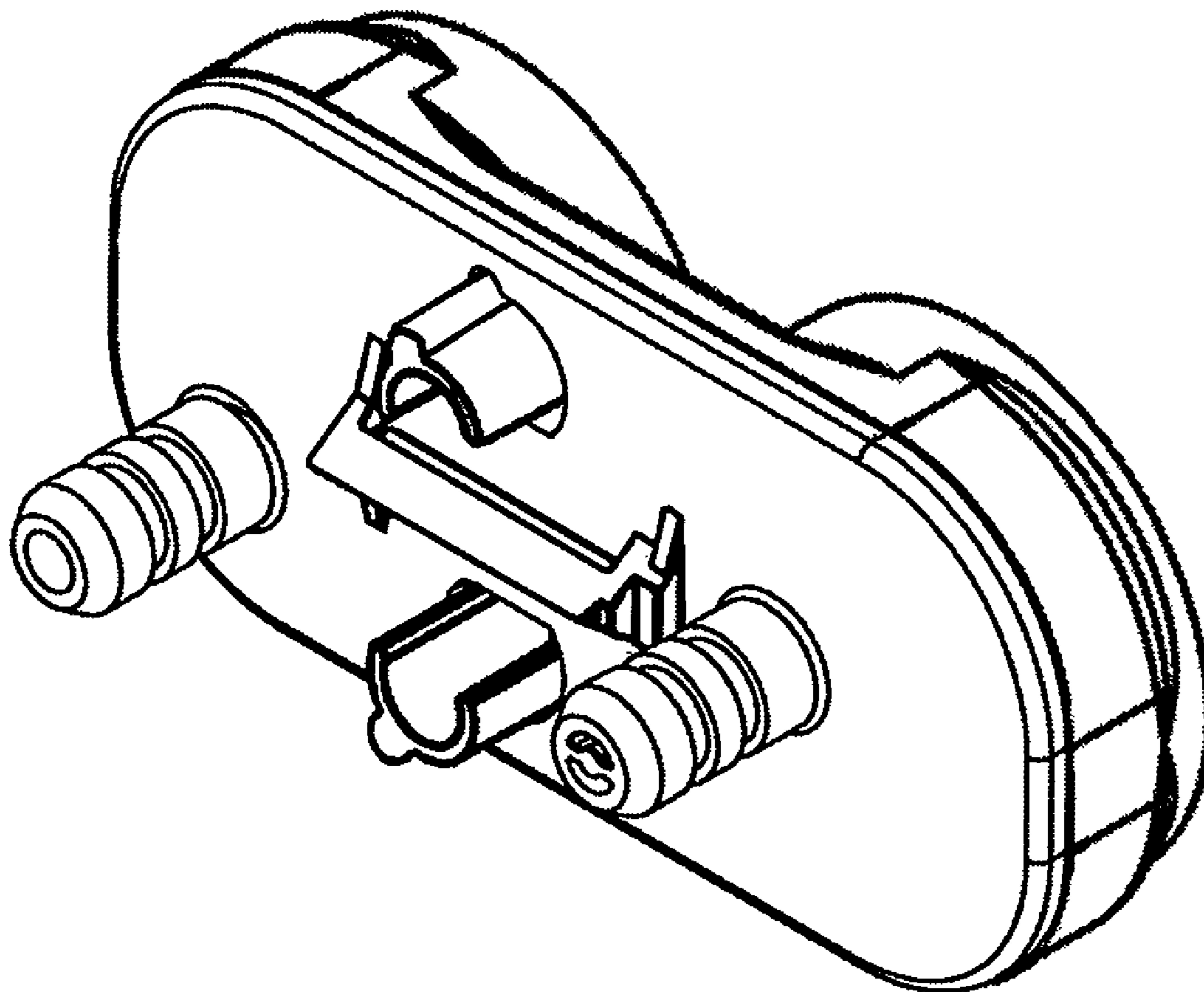
(57) **CLAIM**

We claim the ornamental design for a “Cassette Filter Manifold,” as shown and described.

DESCRIPTION

FIG. 1 is a top rear perspective view of the Cassette Filter Manifold according to the present invention.
FIG. 2 is a front bottom perspective view of the Cassette Filter Manifold according to the present invention.
FIG. 3 is a top elevational view of the Cassette Filter Manifold according to the present invention.
FIG. 4 is a bottom elevational view of the Cassette Filter Manifold according to the present invention.
FIG. 5 is a front elevational view of the Cassette Filter Manifold according to the present invention.
FIG. 6 is a rear elevational view of the Cassette Filter Manifold according to the present invention.
FIG. 7 is a left side elevational view of the Cassette Filter Manifold according to the present invention; and,
FIG. 8 is a right side elevational view of the Cassette Filter Manifold according to the present invention.

1 Claim, 2 Drawing Sheets



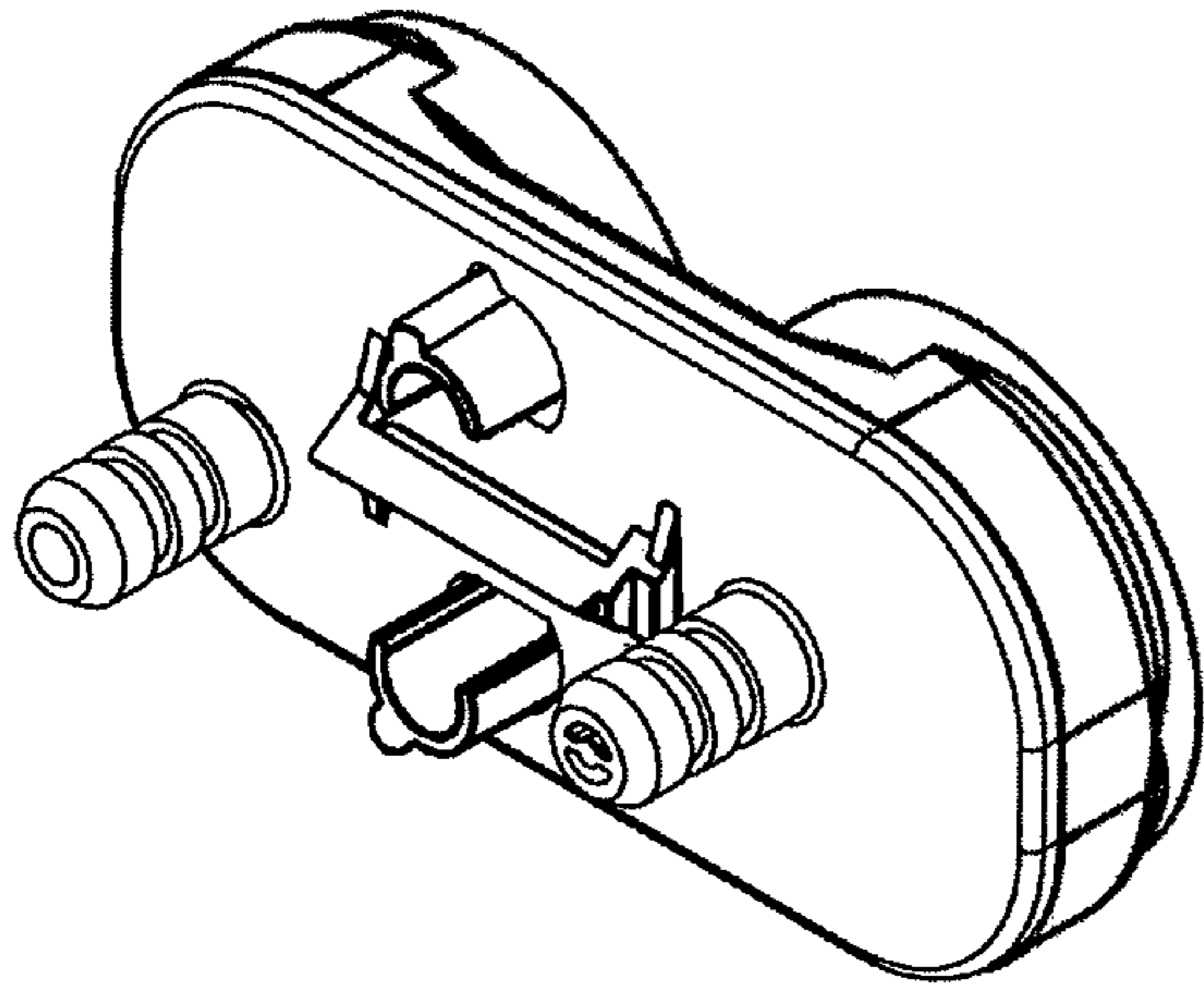


FIG. 1

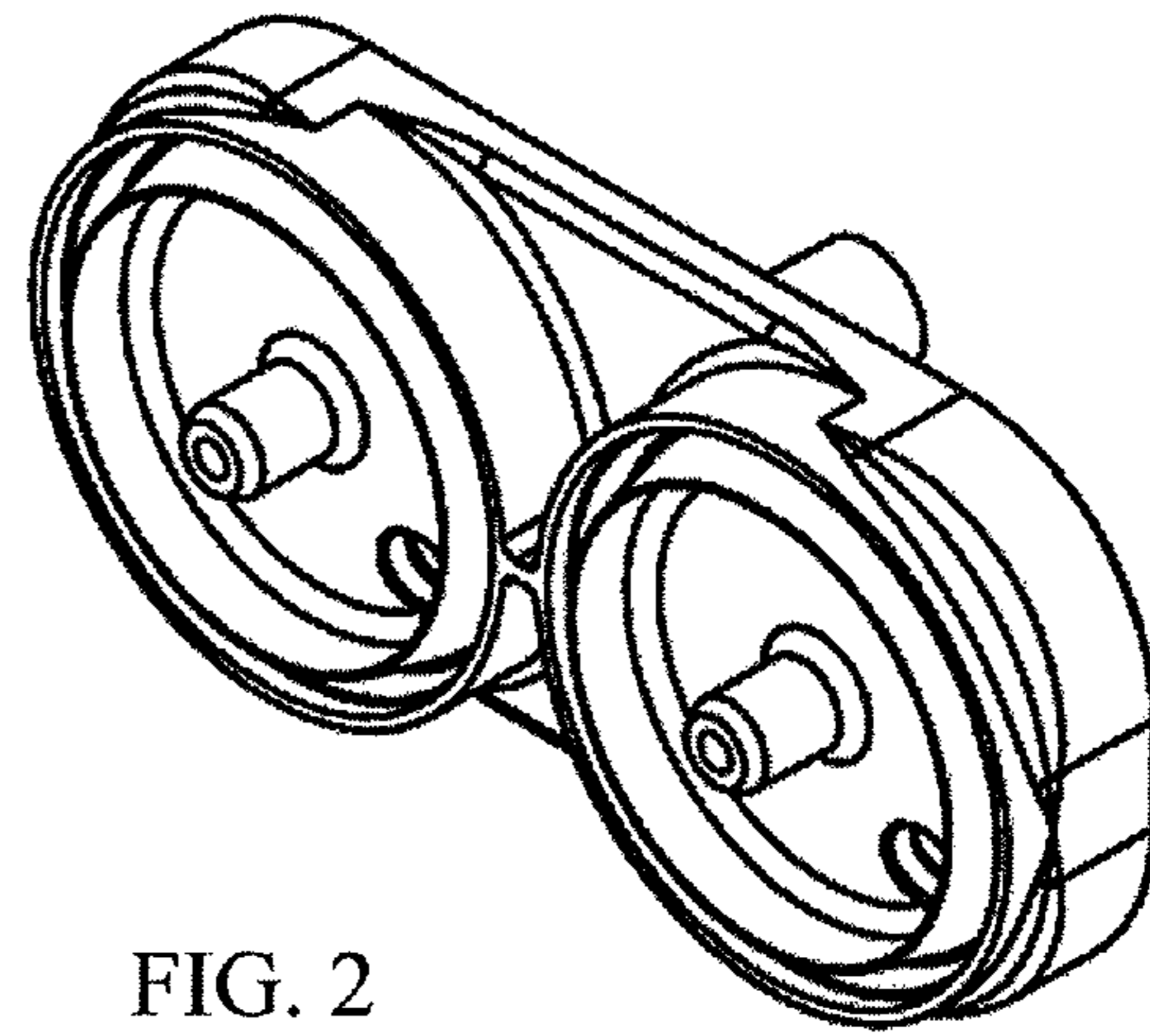


FIG. 2

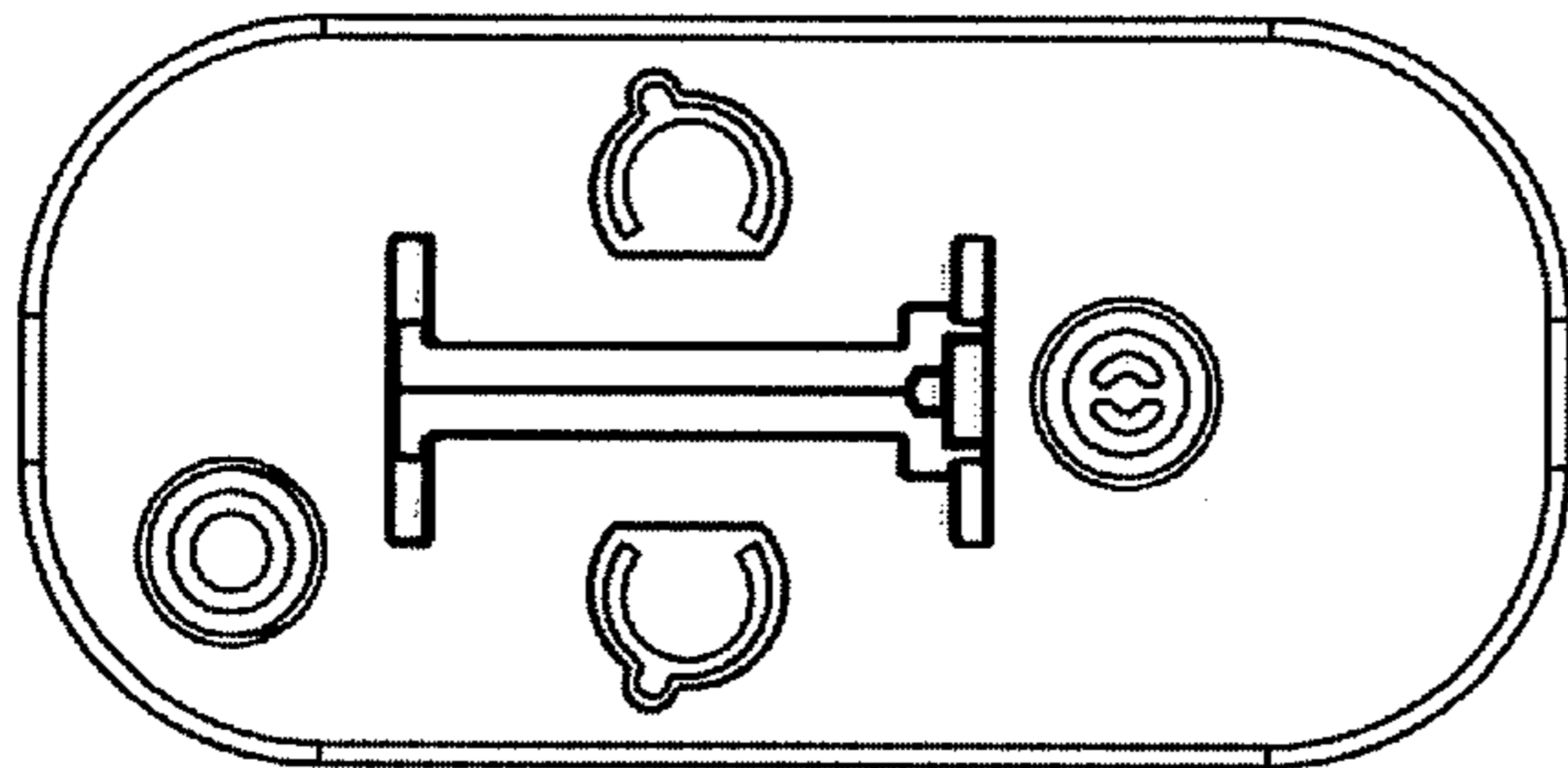


FIG. 3

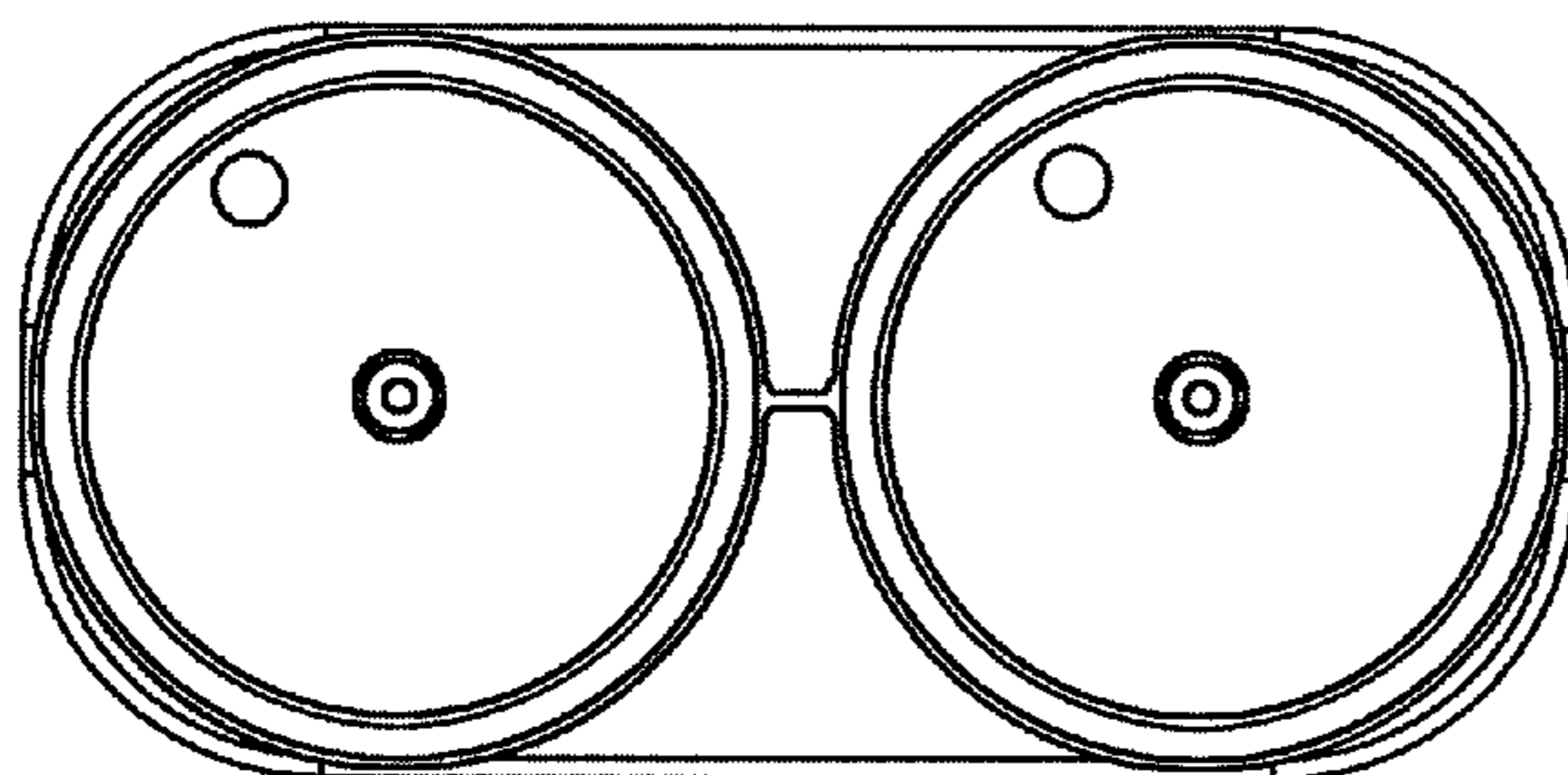


FIG. 4

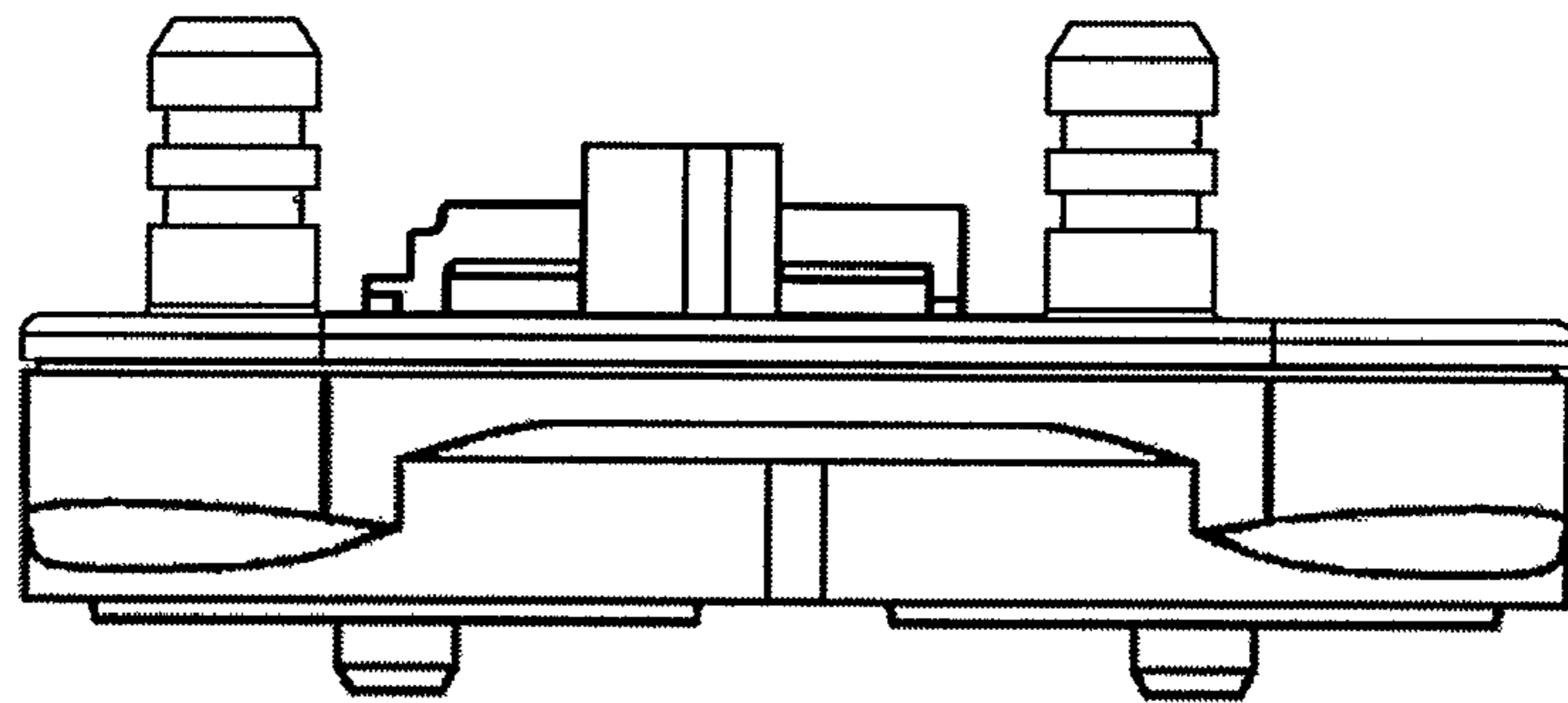


FIG. 5

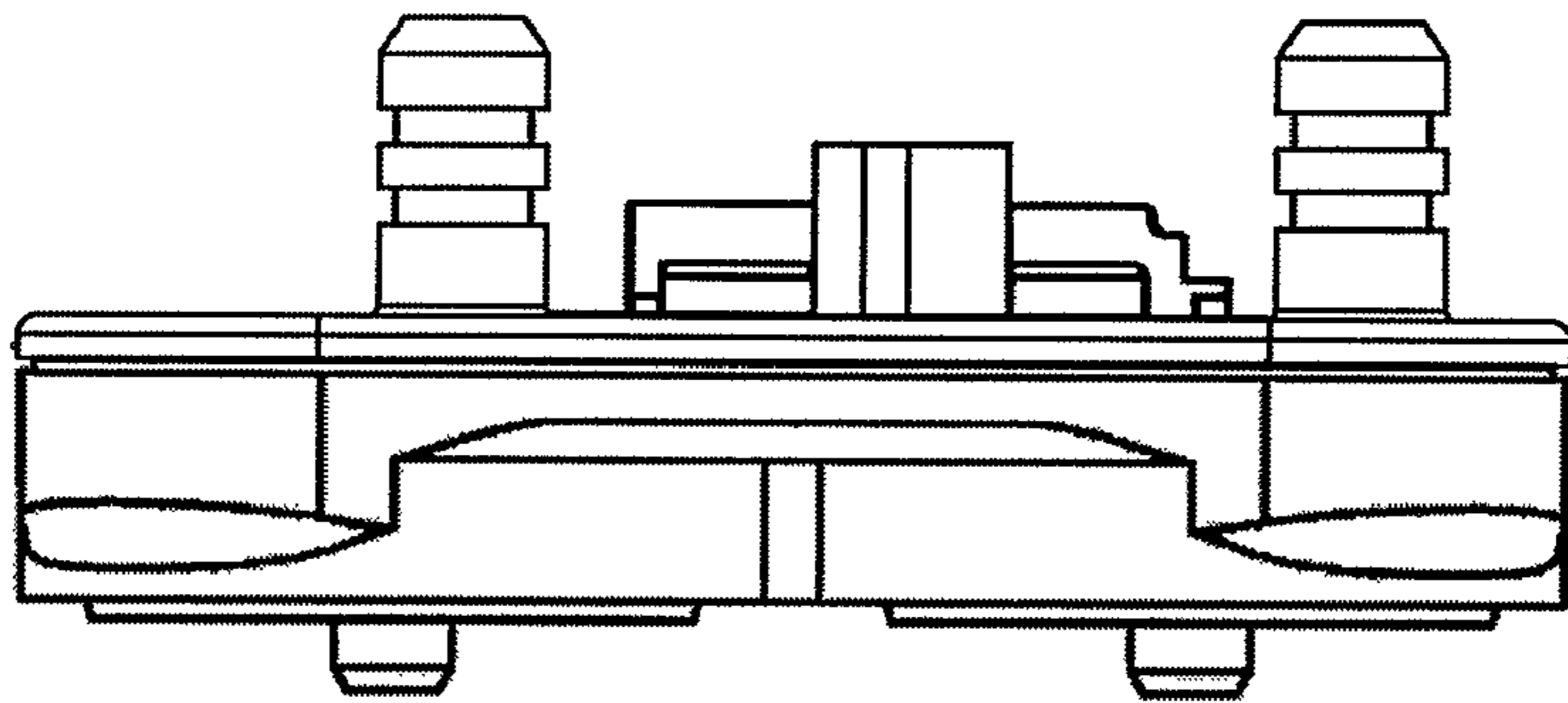


FIG. 6

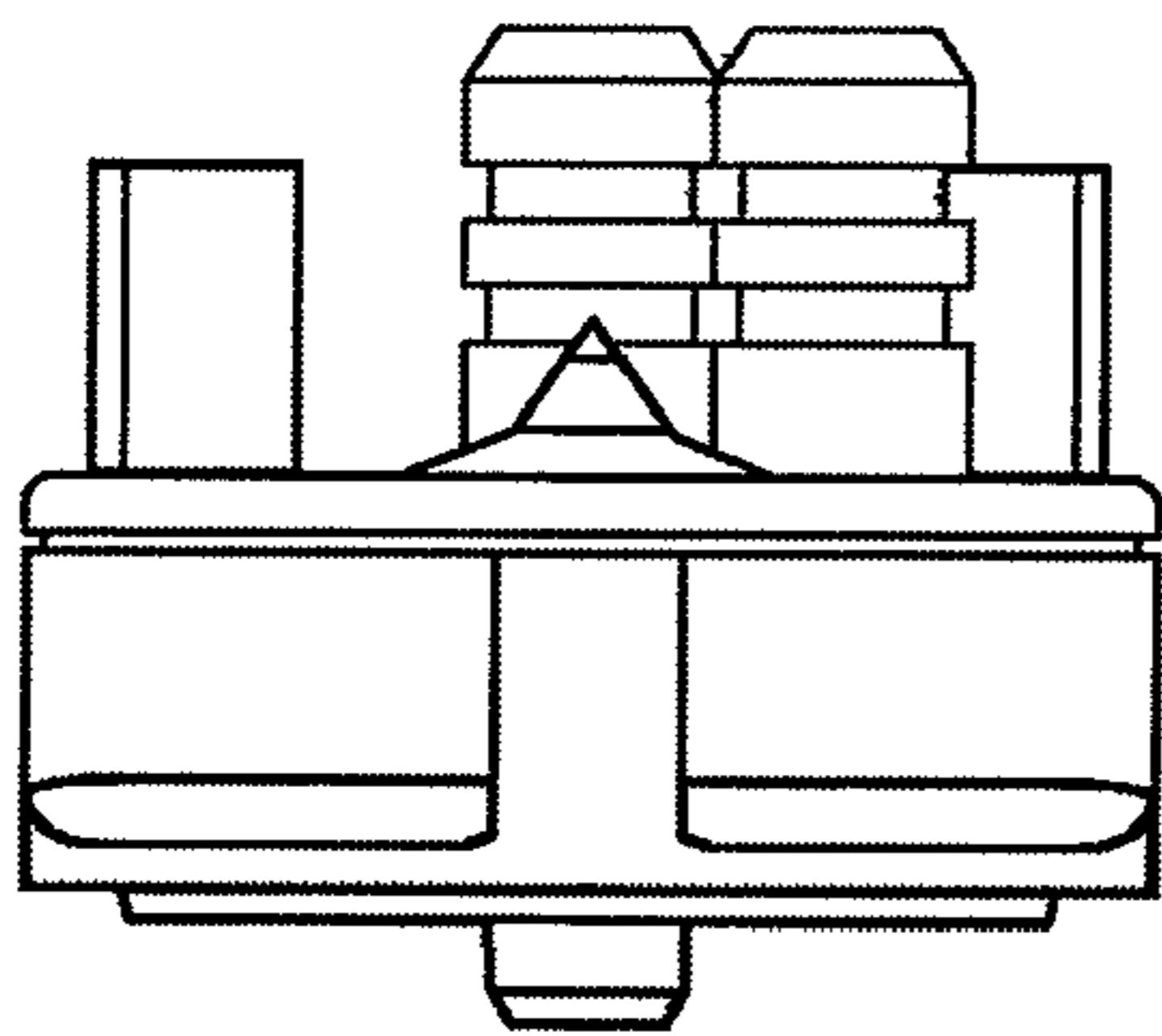


FIG. 7

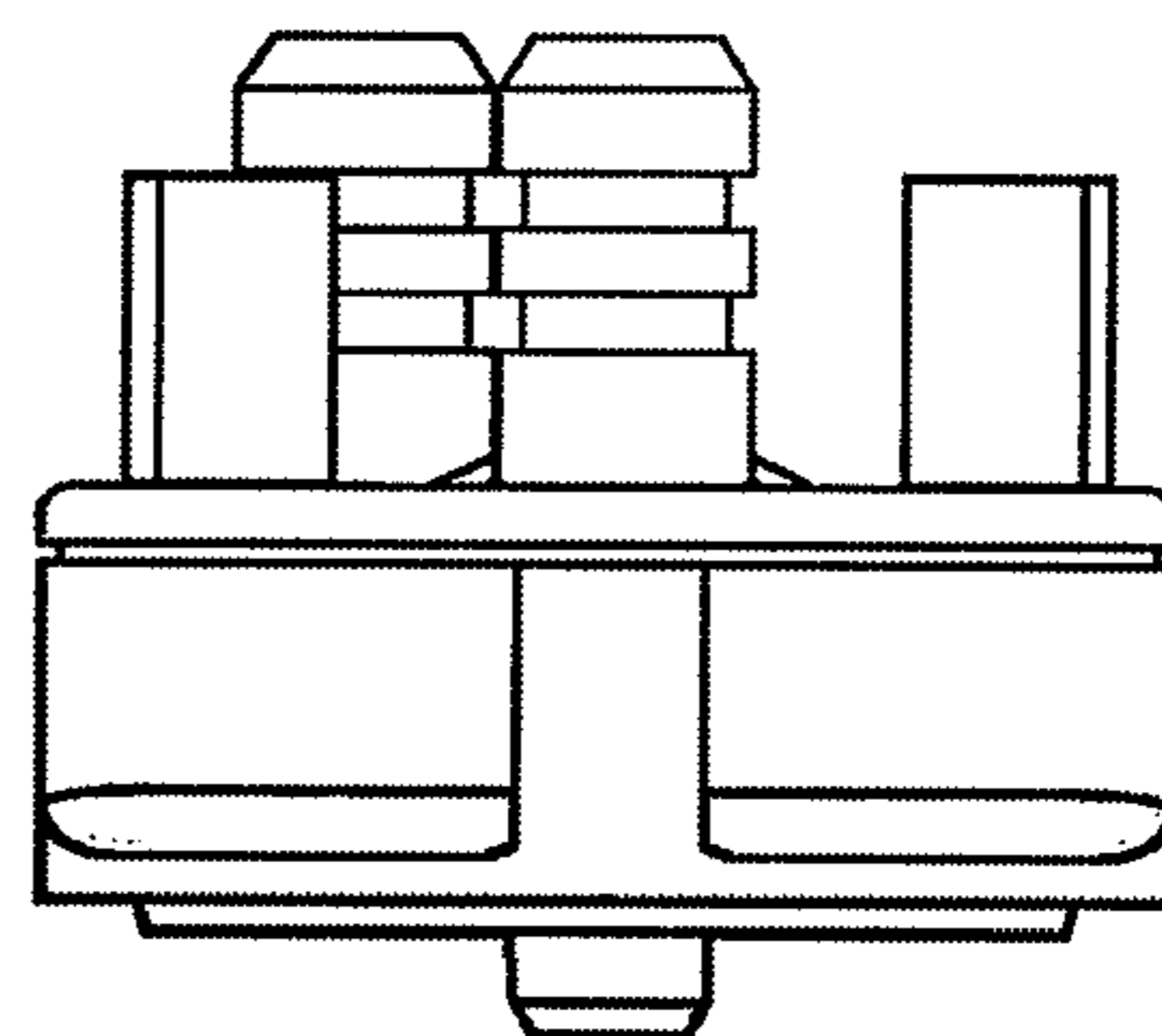


FIG. 8