



US00D656579S

(12) **United States Design Patent**  
**Sherman et al.**

(10) **Patent No.:** **US D656,579 S**  
(45) **Date of Patent:** **\*\* Mar. 27, 2012**

(54) **CASSETTE FILTER AND COVERPLATE**

D621,001 S \* 8/2010 Maziel et al. .... D23/209  
\* cited by examiner

(75) Inventors: **Michael Sherman**, Woodbury, MN  
(US); **Stephen P. Huda**, Shelton, CT  
(US); **Steven J. Haehn**, Oakdale, MN  
(US)

*Primary Examiner* — Robin V Webster  
(74) *Attorney, Agent, or Firm* — DeLio & Peterson, LLC;  
Robert Curcio, Esq.

(73) Assignee: **KX Technologies, LLC**, West Haven,  
CT (US)

(57) **CLAIM**

(\*\*) Term: **14 Years**

I claim the ornamental design for a “cassette filter and coverplate,” as shown and described.

(21) Appl. No.: **29/398,176**

**DESCRIPTION**

(22) Filed: **Jul. 27, 2011**

(51) **LOC (9) Cl.** ..... **23-01**

(52) **U.S. Cl.** ..... **D23/209**

(58) **Field of Classification Search** ..... D23/207–209;  
210/340, 341, 282, 232, 266

See application file for complete search history.

FIG. 1 is top rear perspective view of the cassette filter and coverplate according to the present invention.  
FIG. 2 is front bottom perspective view of the cassette filter and coverplate according to the present invention.  
FIG. 3 is a bottom view thereof;  
FIG. 4 is a top view thereof;  
FIG. 5 is a rear view thereof;  
FIG. 6 is a left side view thereof;  
FIG. 7 is a front view thereof; and,  
FIG. 8 is a right side view thereof.

(56) **References Cited**

**U.S. PATENT DOCUMENTS**

D290,638 S \* 6/1987 Bishop ..... D23/207  
D519,186 S \* 4/2006 Oranski et al. .... D23/209  
D562,429 S \* 2/2008 Morris ..... D23/209

**1 Claim, 2 Drawing Sheets**

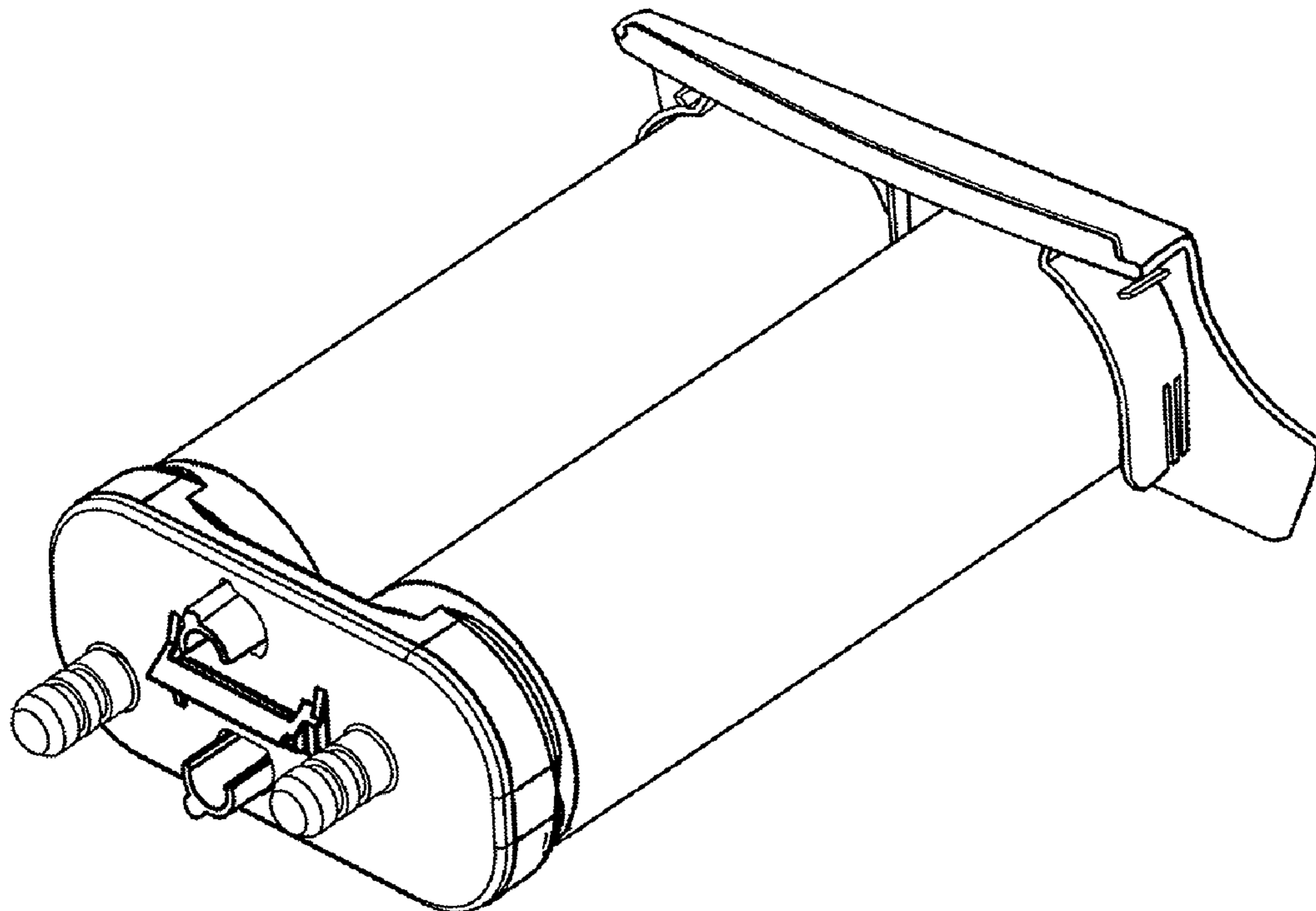


FIG. 1

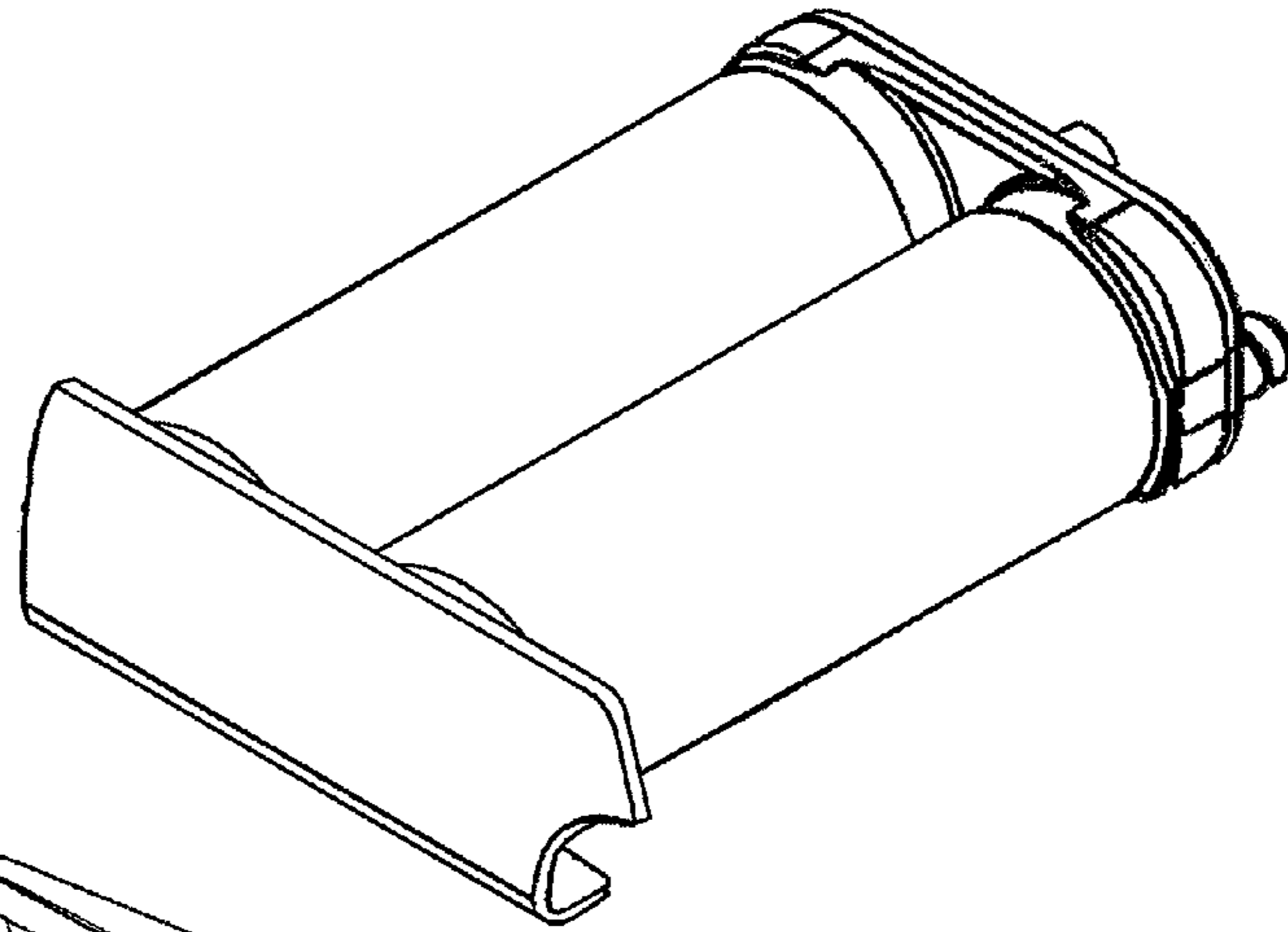


FIG. 2

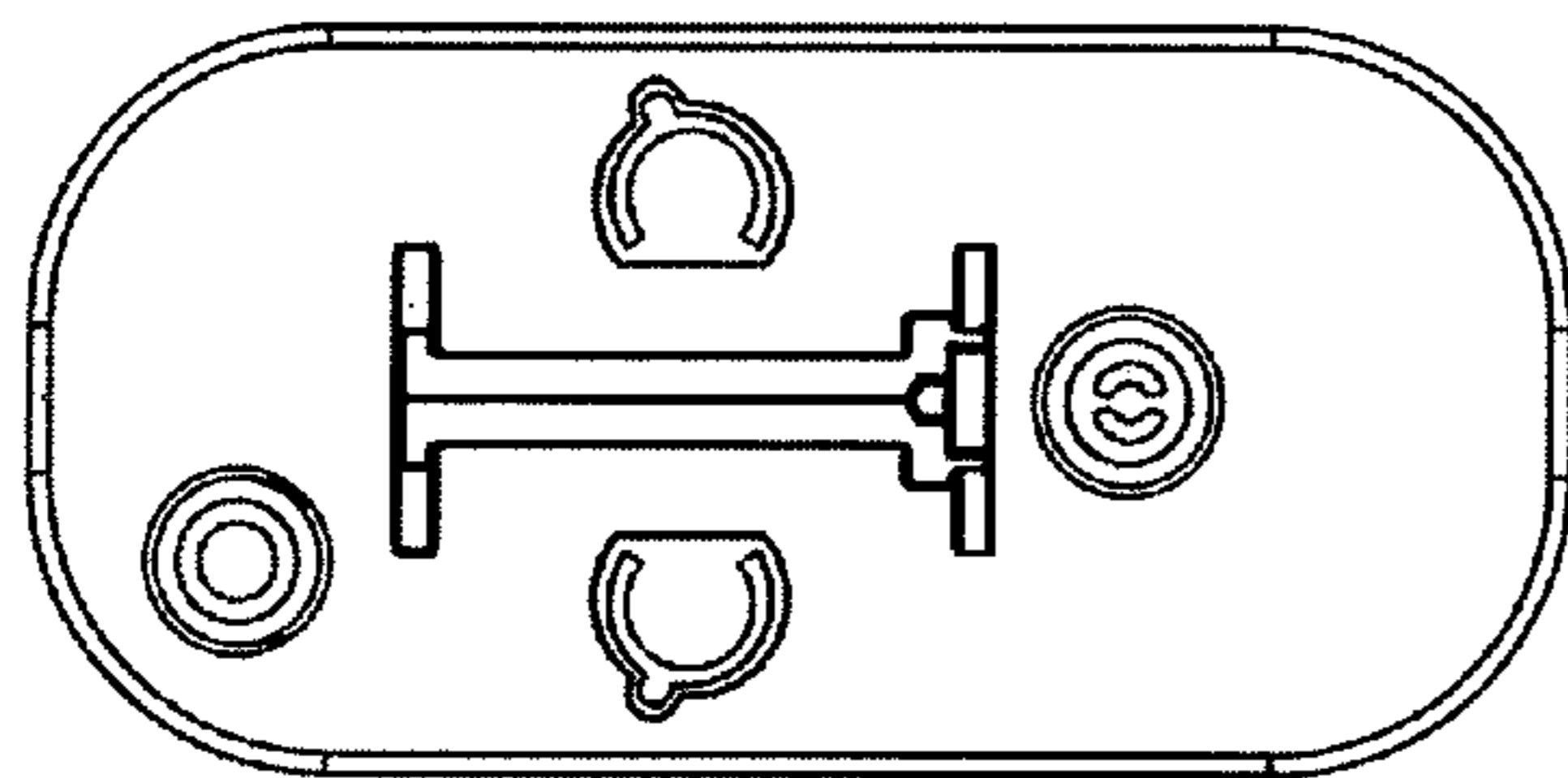
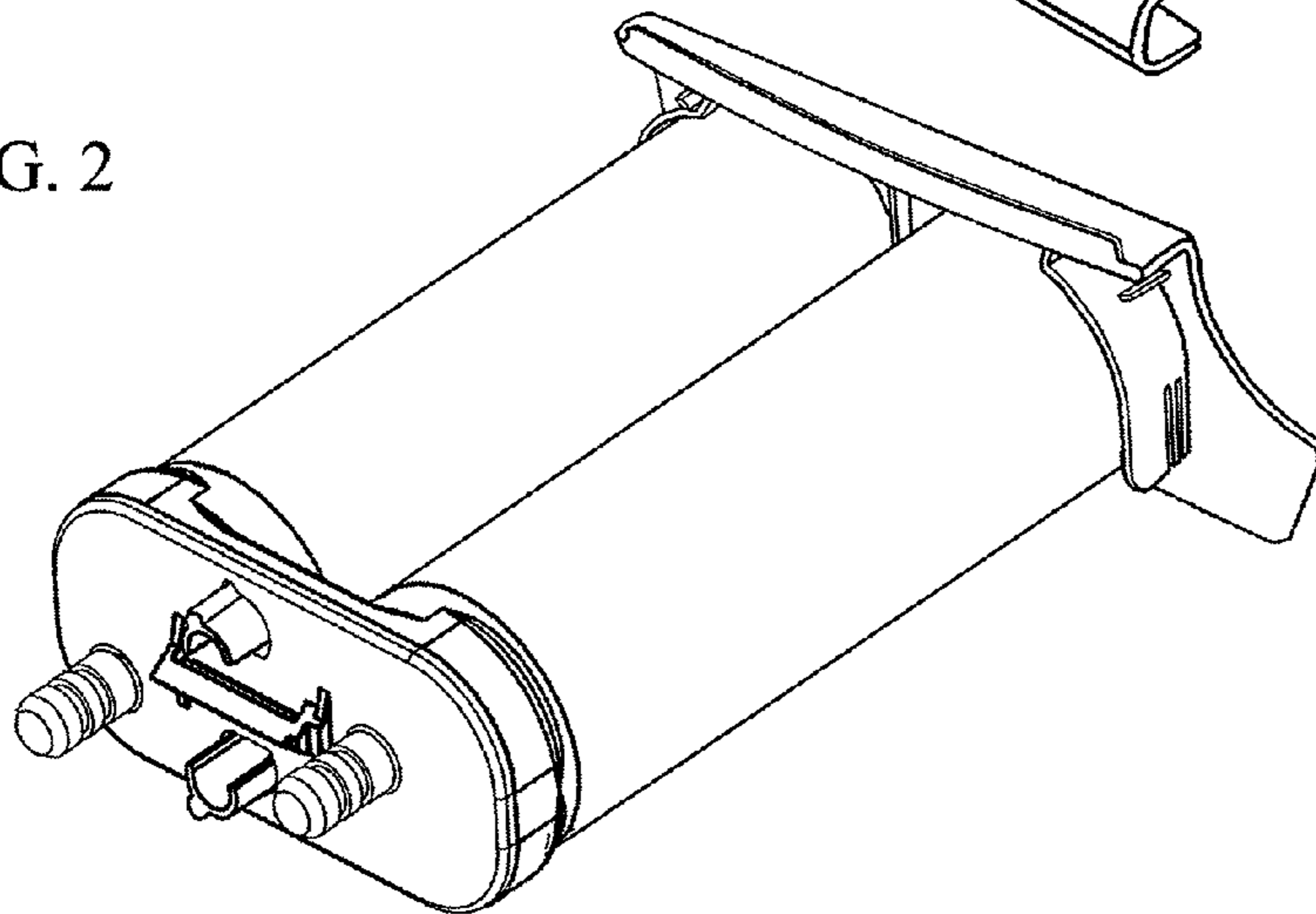
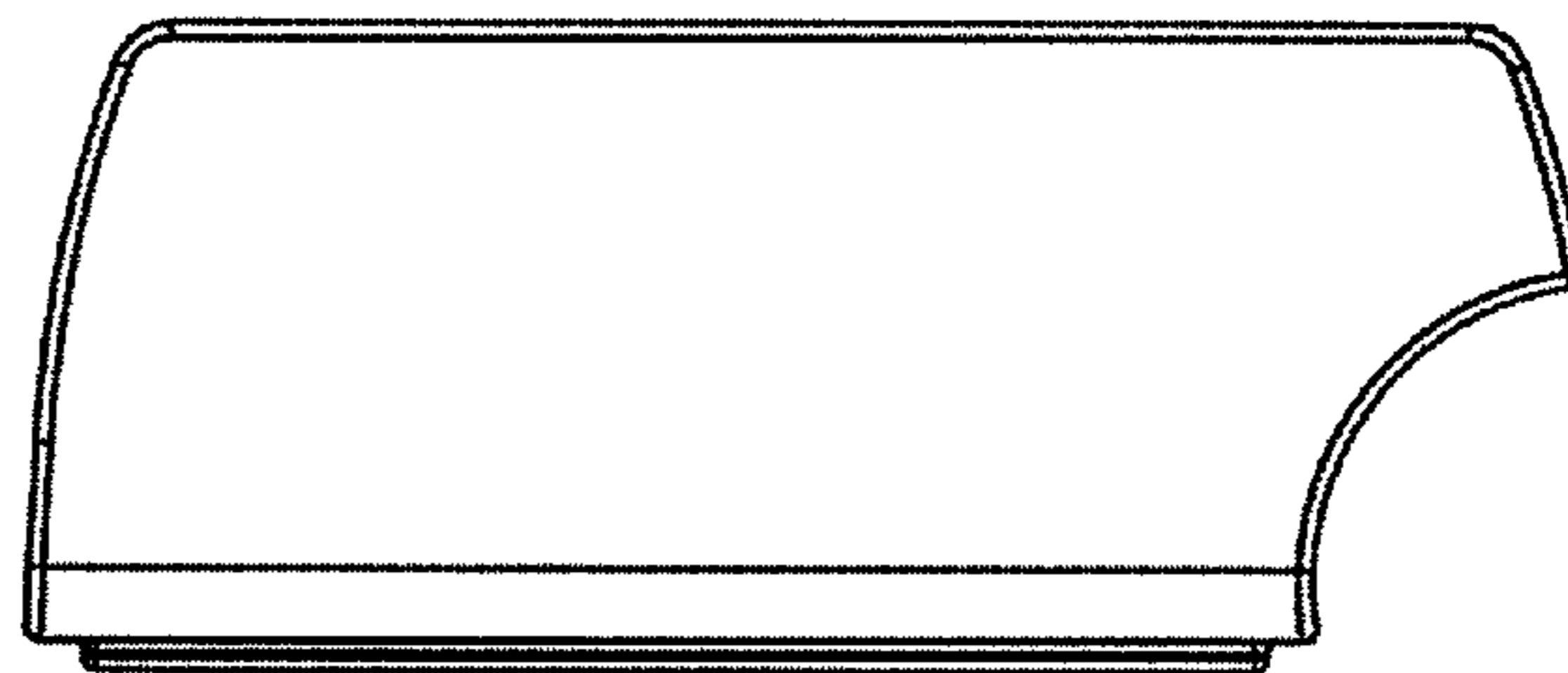


FIG. 3

FIG. 4



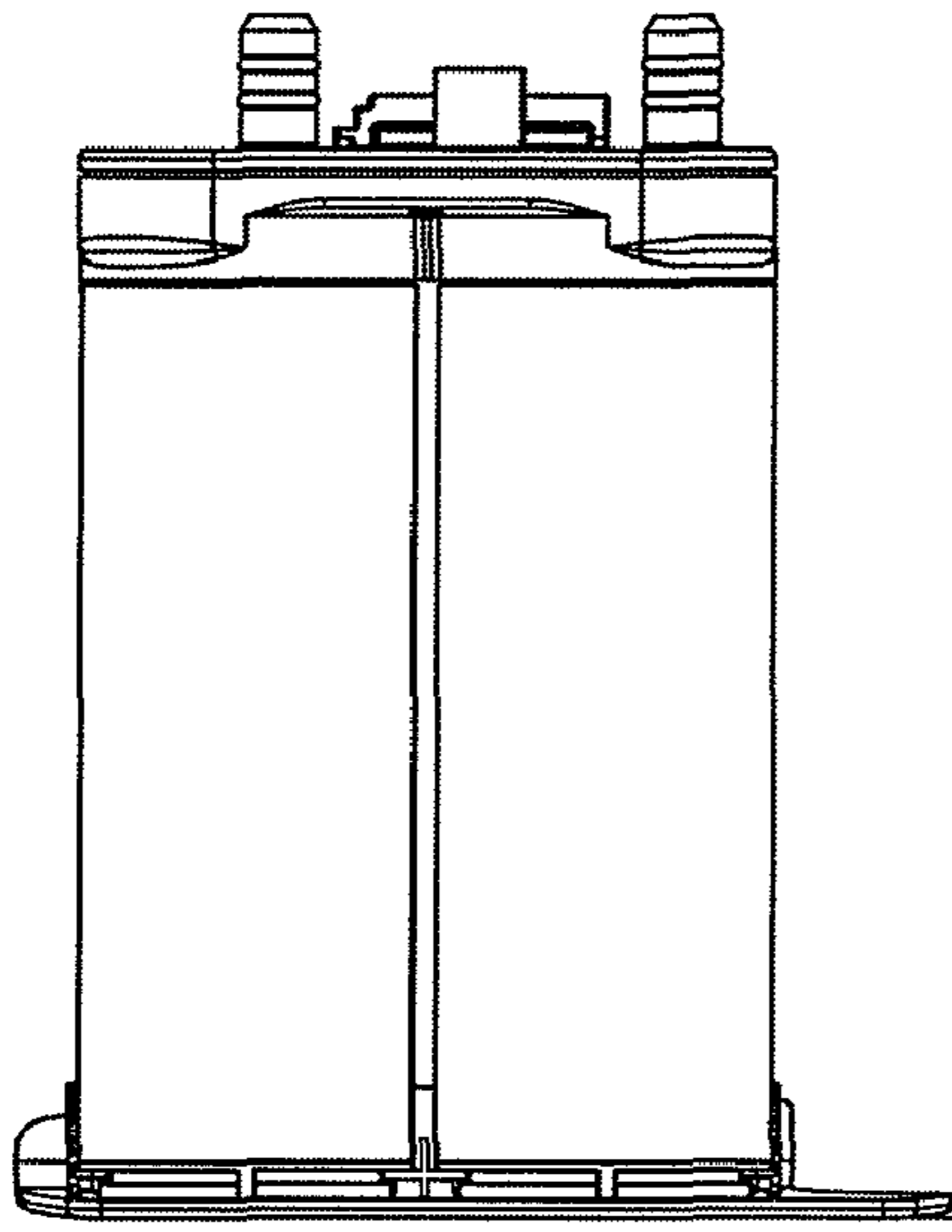


FIG. 5

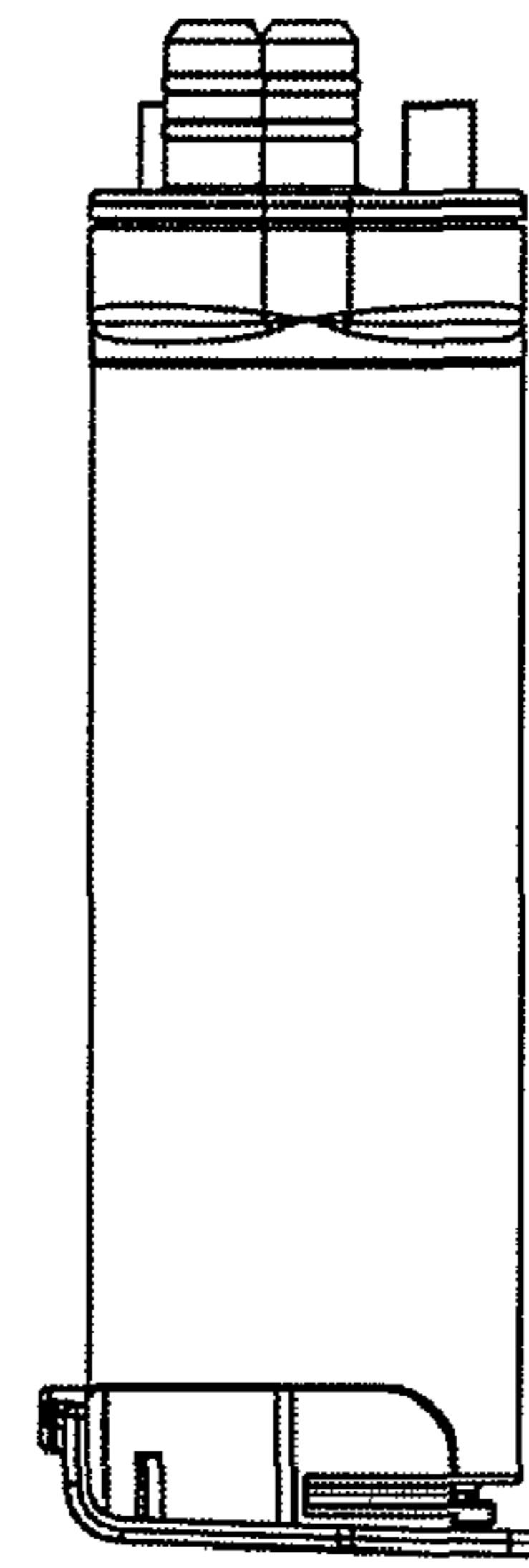


FIG. 6

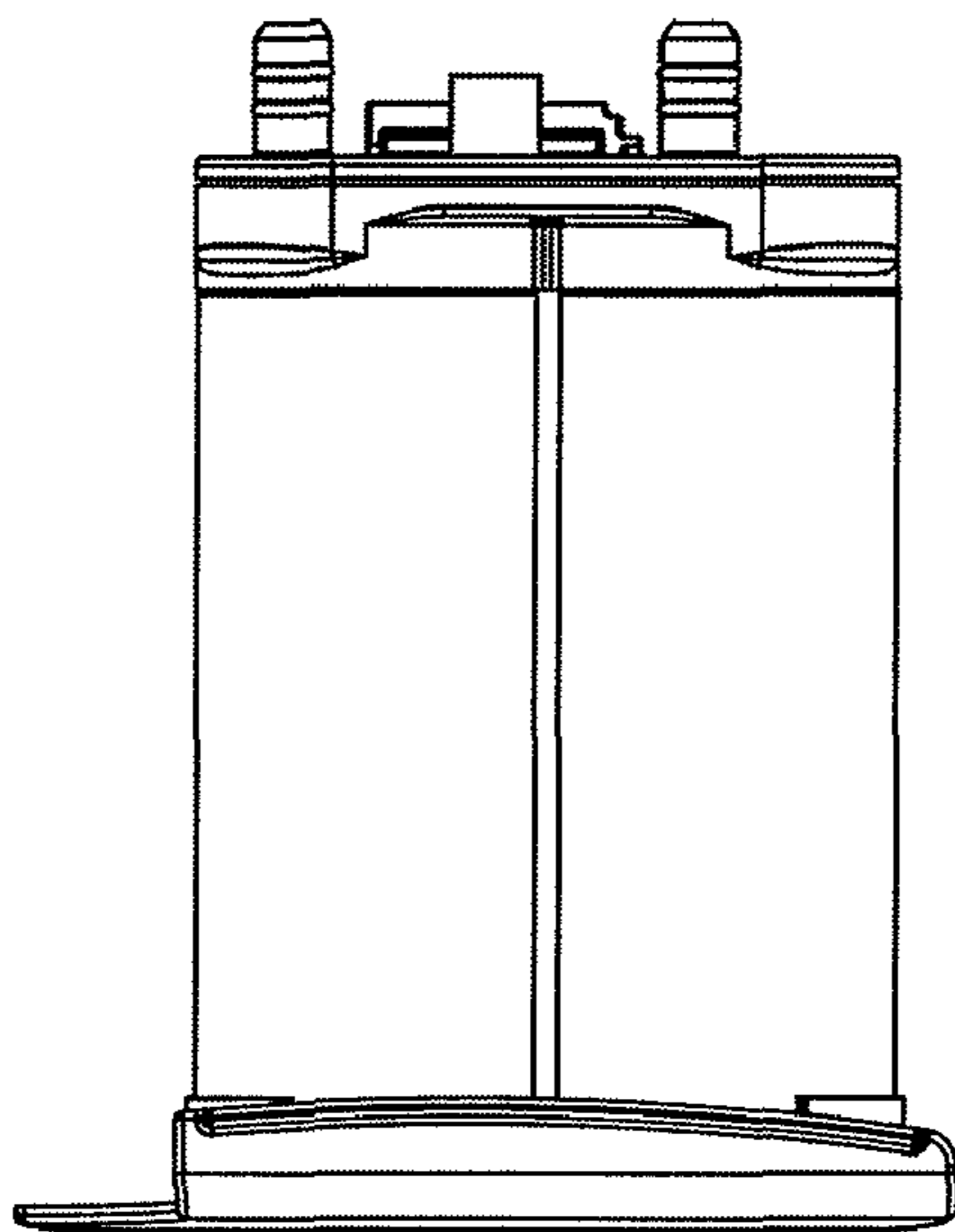


FIG. 7

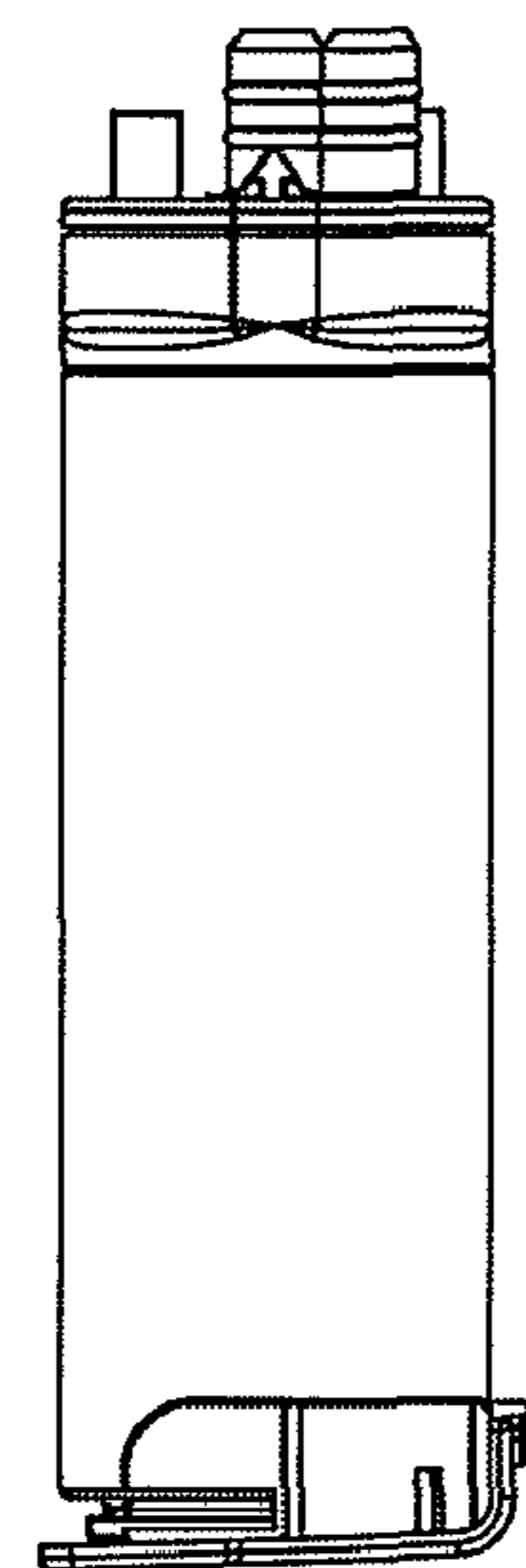


FIG. 8