



US00D656573S

(12) **United States Design Patent**
Curcio

(10) **Patent No.:** **US D656,573 S**

(45) **Date of Patent:** **** Mar. 27, 2012**

(54) **BB BUG CATCHER DESIGN**

D442,254 S * 5/2001 Konno D22/122
D450,367 S * 11/2001 Nunez D22/122
D612,446 S * 3/2010 Galili D22/122

(76) Inventor: **Maria Curcio**, Freehold, NJ (US)

* cited by examiner

(**) Term: **14 Years**

Primary Examiner — Catheri Oliver

(21) Appl. No.: **29/373,709**

(57) **CLAIM**

(22) Filed: **May 13, 2011**

The ornamental design for a BB bug catcher design, as shown and described.

(51) **LOC (9) Cl.** **22-06**

(52) **U.S. Cl.** **D22/122**

(58) **Field of Classification Search** D22/119–124;
43/85, 88, 90–92, 77–79, 112–113, 121,
43/124, 131, 132.1; D29/111

See application file for complete search history.

DESCRIPTION

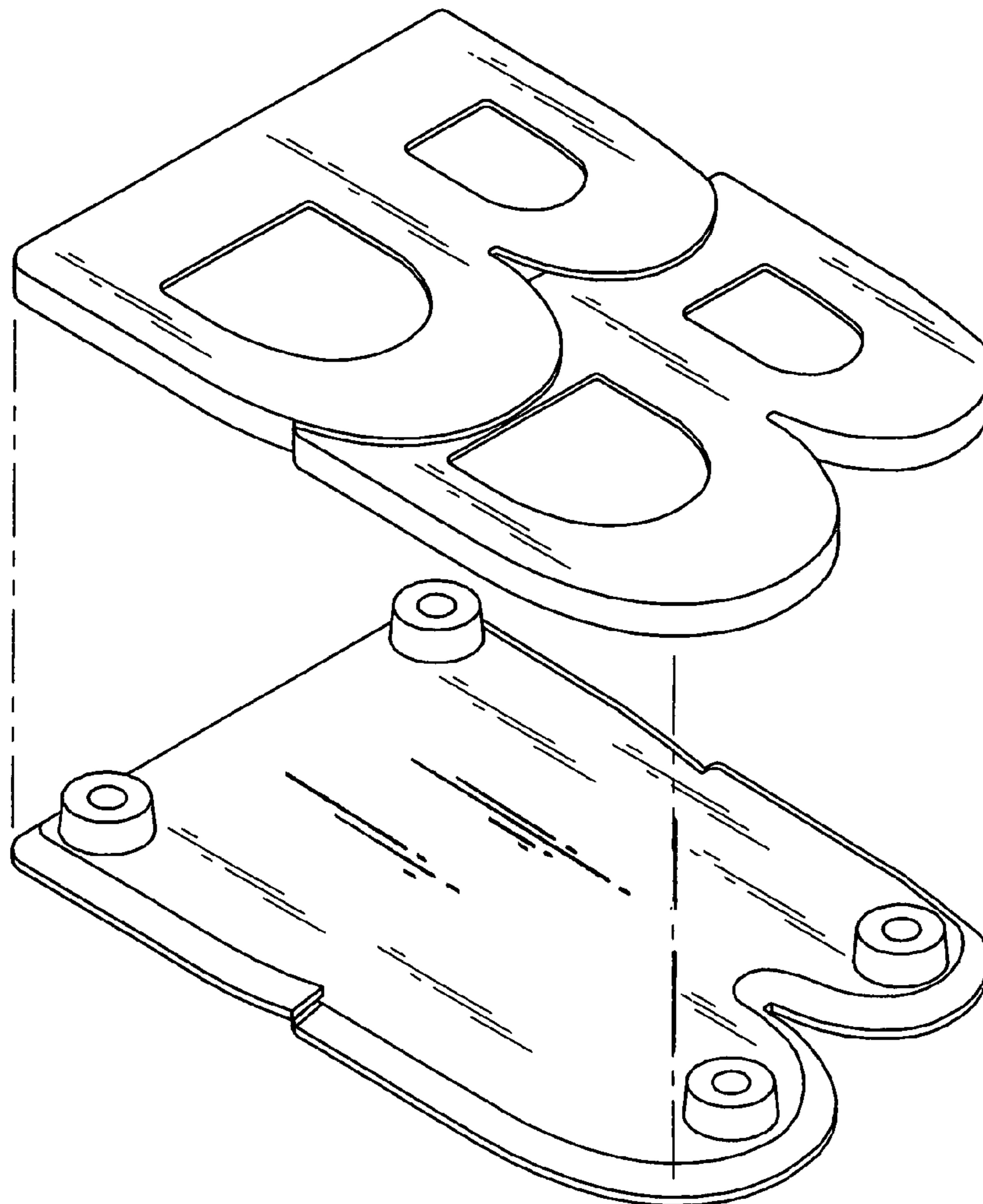
FIG. 1 is a top perspective view of a BB bug catcher design embodying my new design;
FIG. 2 is a top view thereof;
FIG. 3 is a bottom view thereof;
FIG. 4 is a front elevational view thereof;
FIG. 5 is a rear elevational view thereof;
FIG. 6 is a left side elevational view thereof; and,
FIG. 7 is a right side elevational view thereof.

(56) **References Cited**

U.S. PATENT DOCUMENTS

D307,197 S * 4/1990 Bandy D29/111
D346,637 S * 5/1994 Exum et al. D22/122
D382,326 S * 8/1997 Geeting D22/122

1 Claim, 7 Drawing Sheets



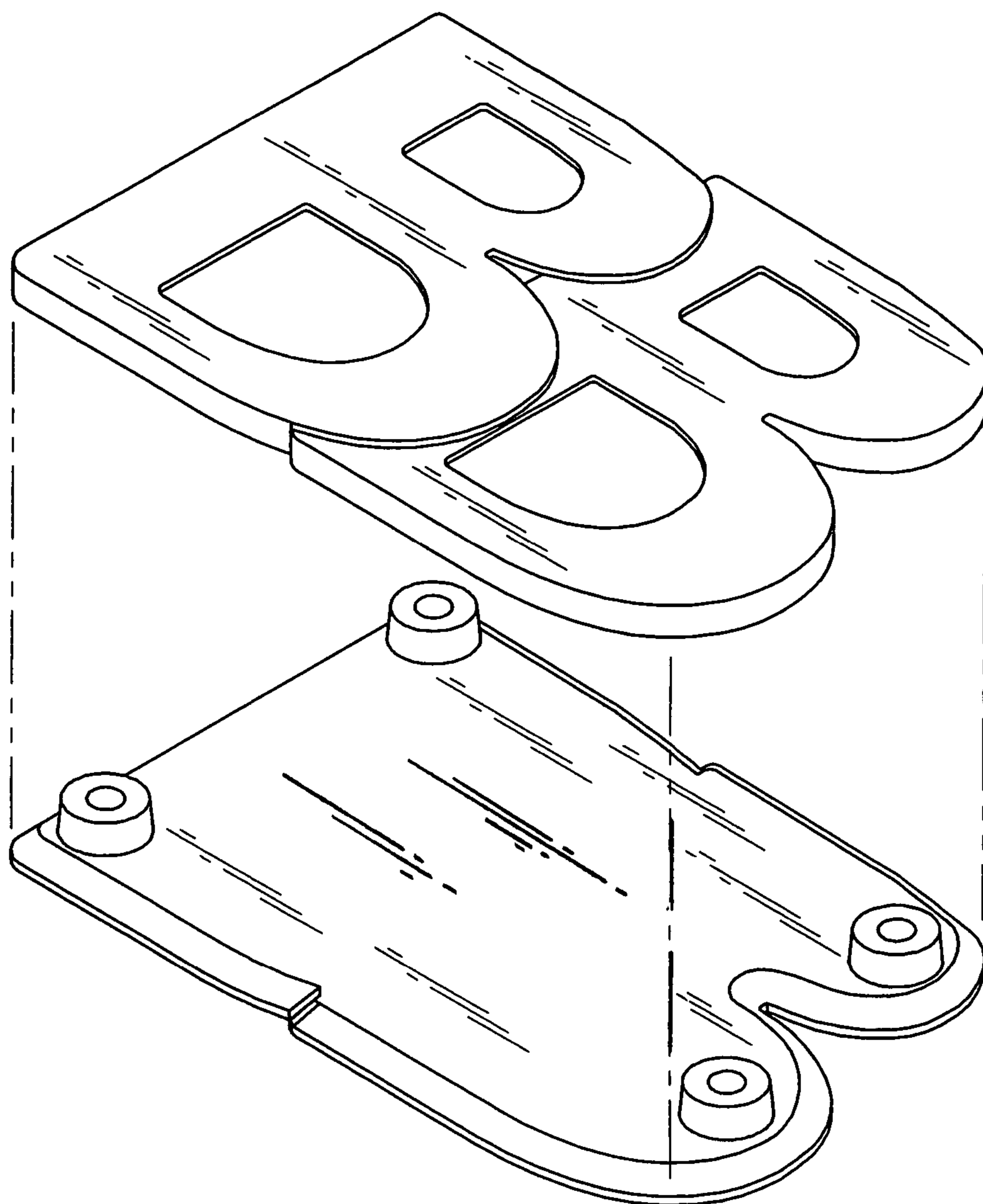


FIG. 1

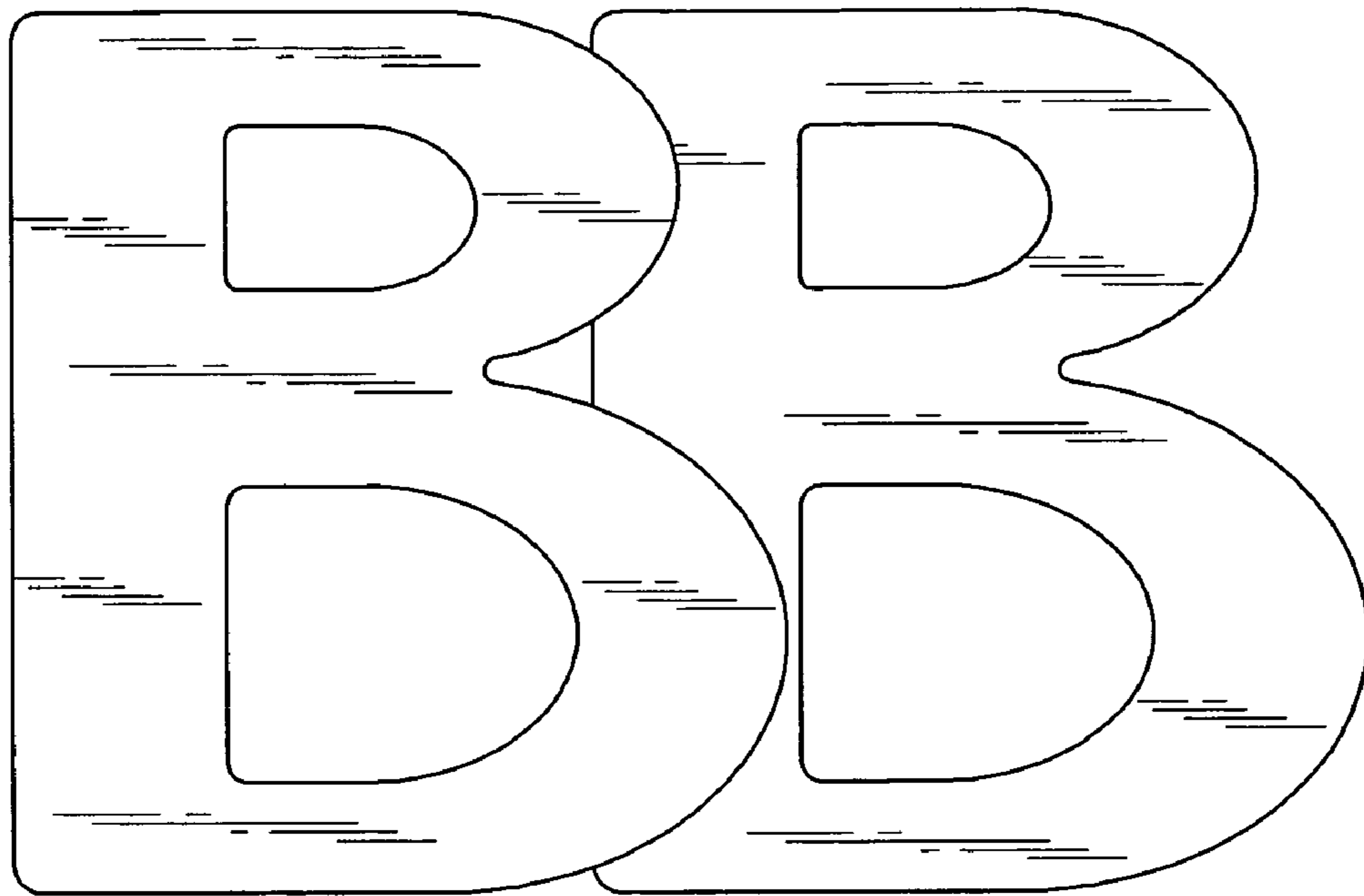


FIG. 2



FIG. 3

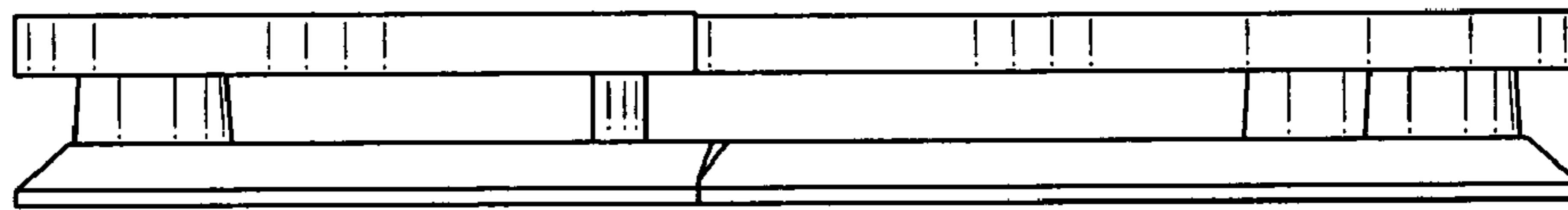


FIG. 4

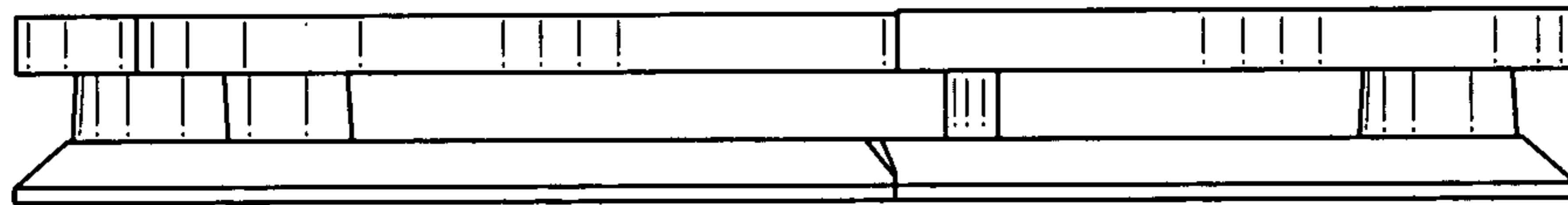


FIG. 5

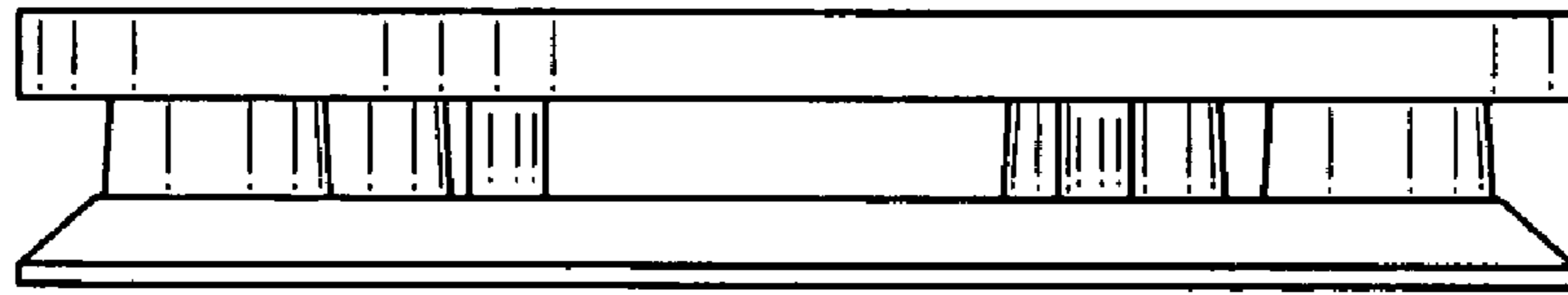


FIG. 6

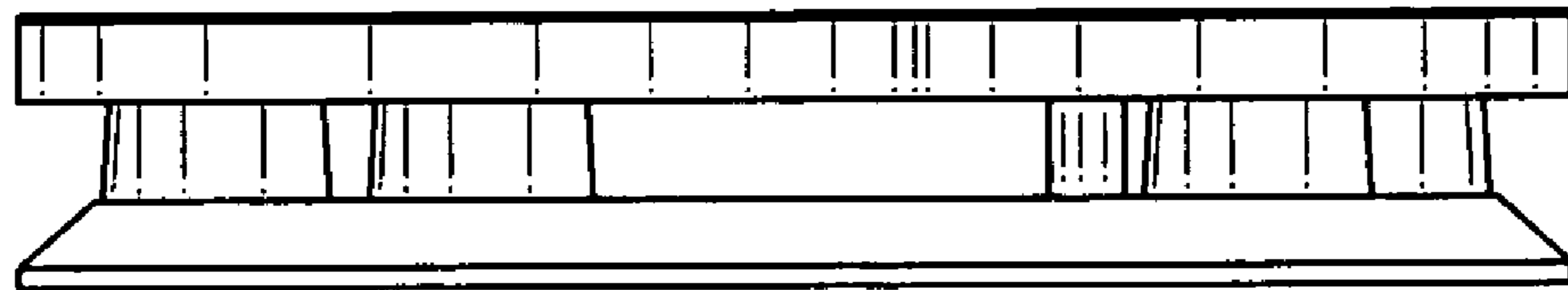


FIG. 7