



US00D656572S

(12) **United States Design Patent**  
**Foster et al.**

(10) **Patent No.:** **US D656,572 S**  
(45) **Date of Patent:** **\*\* Mar. 27, 2012**

(54) **GOLF CLUB WEIGHT SCREW**

(75) Inventors: **Philip G. Foster**, Carlsbad, CA (US);  
**Matthew T. Cackett**, San Diego, CA  
(US)

(73) Assignee: **Callaway Golf Company**, Carlsbad, CA  
(US)

(\*\*) Term: **14 Years**

(21) Appl. No.: **29/393,450**

(22) Filed: **Jun. 3, 2011**

(51) **LOC (9) Cl.** ..... **21-02**

(52) **U.S. Cl.** ..... **D21/789**

(58) **Field of Classification Search** ..... D21/753,  
D21/759, 789; 473/256, 238, 226  
See application file for complete search history.

(56) **References Cited**

U.S. PATENT DOCUMENTS

6,089,994 A \* 7/2000 Sun ..... 473/338  
6,612,936 B1 \* 9/2003 Matias ..... 473/256

D515,165 S \* 2/2006 Zimmerman et al. .... D21/789  
D516,656 S \* 3/2006 Hoffman et al. .... D21/789  
D565,143 S \* 3/2008 Wilson ..... D21/789  
RE41,116 E \* 2/2010 Zimmerman et al. .... D21/789

\* cited by examiner

*Primary Examiner* — Mitchell Siegel

(74) *Attorney, Agent, or Firm* — Rebecca Hanovice;  
Michael A. Catania; Sonia Lari

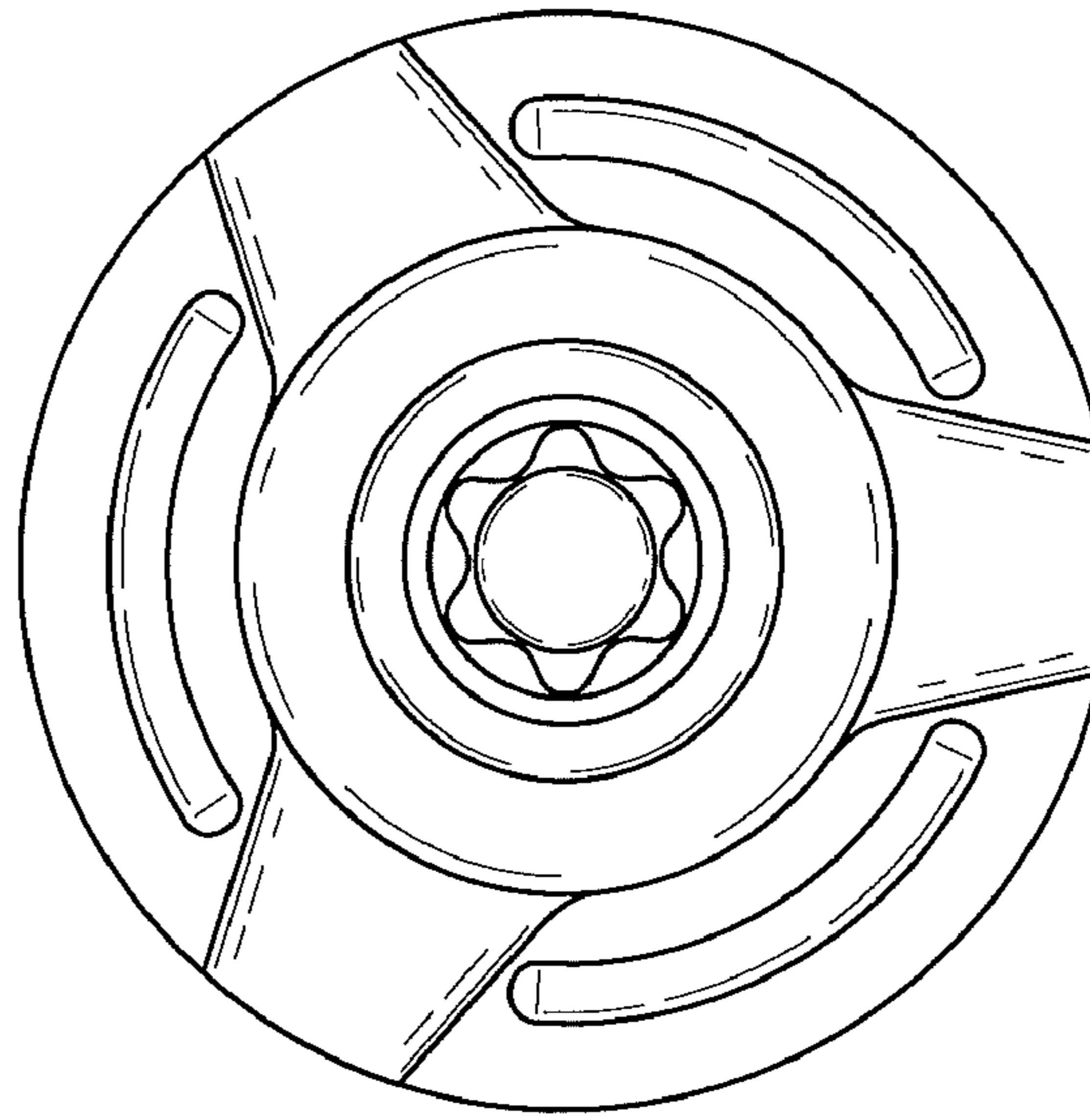
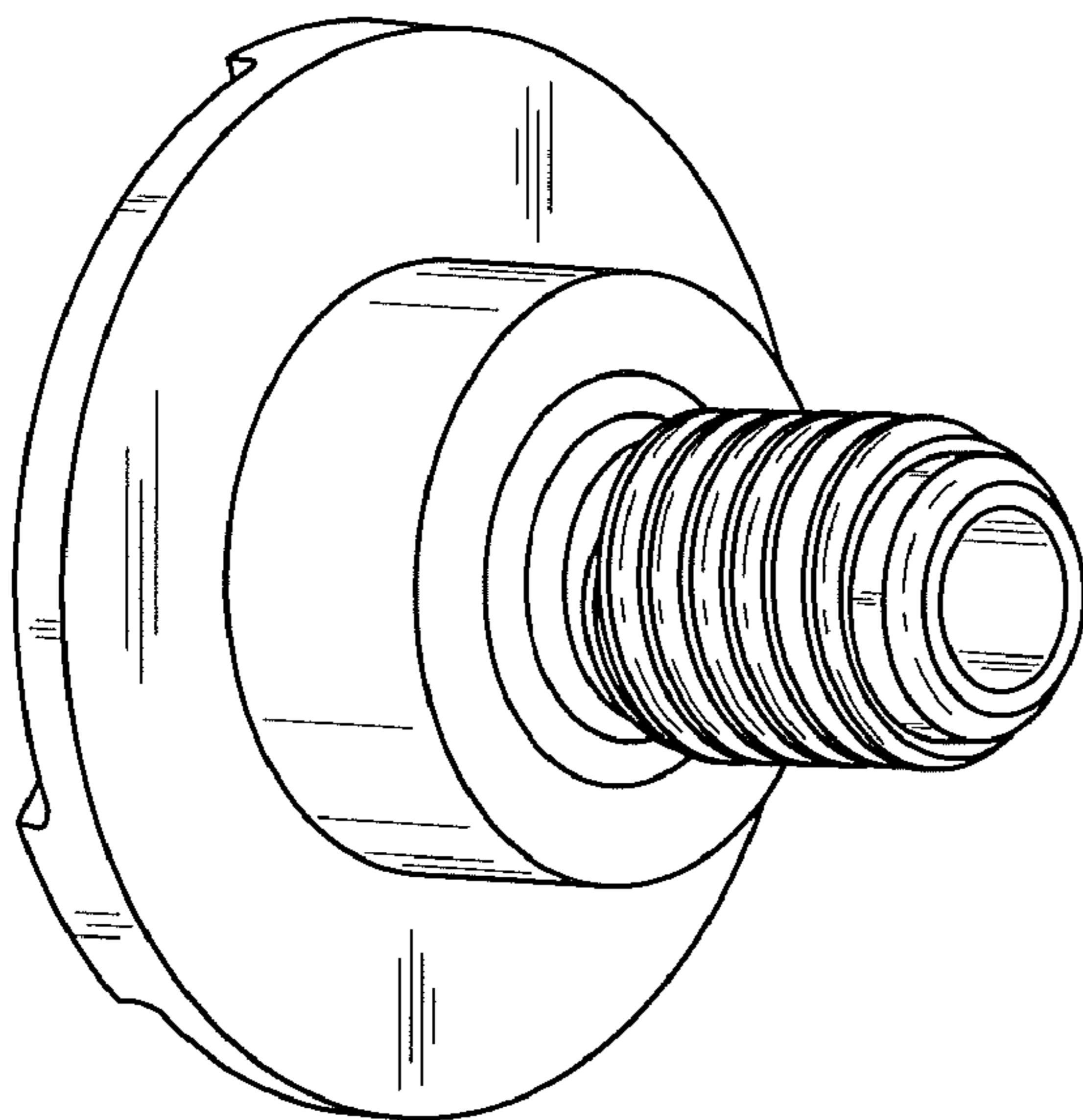
(57) **CLAIM**

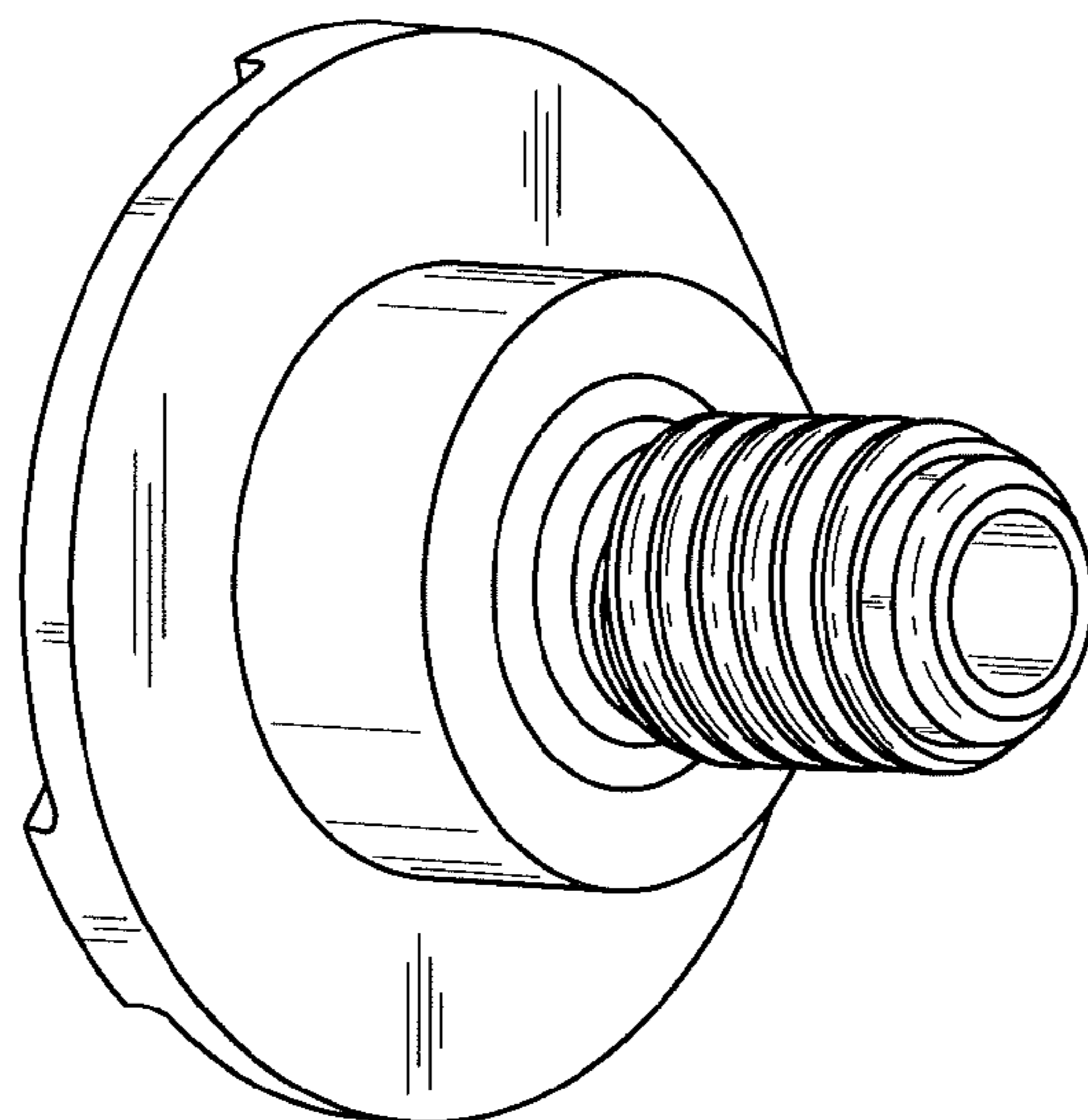
The ornamental design for a golf club weight screw, as shown and described.

**DESCRIPTION**

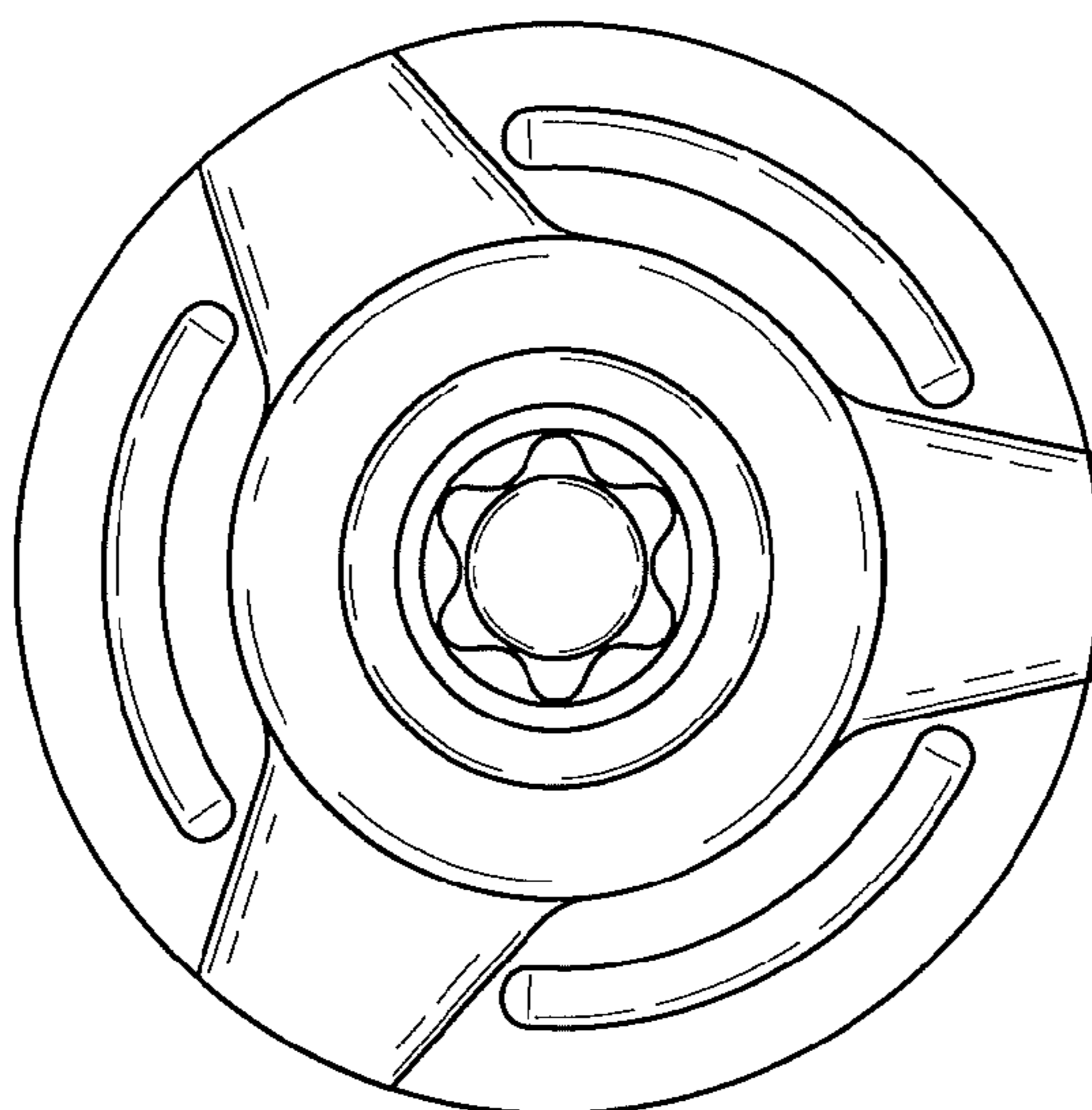
FIG. 1 is a left side perspective view of a golf club weight screw as claimed herein;  
FIG. 2 is a top plan view thereof;  
FIG. 3 is a bottom plan view thereof;  
FIG. 4 is a front elevational view thereof;  
FIG. 5 is a rear elevational view thereof;  
FIG. 6 is a side elevational view thereof; and,  
FIG. 7 is another side elevational view thereof.

**1 Claim, 2 Drawing Sheets**

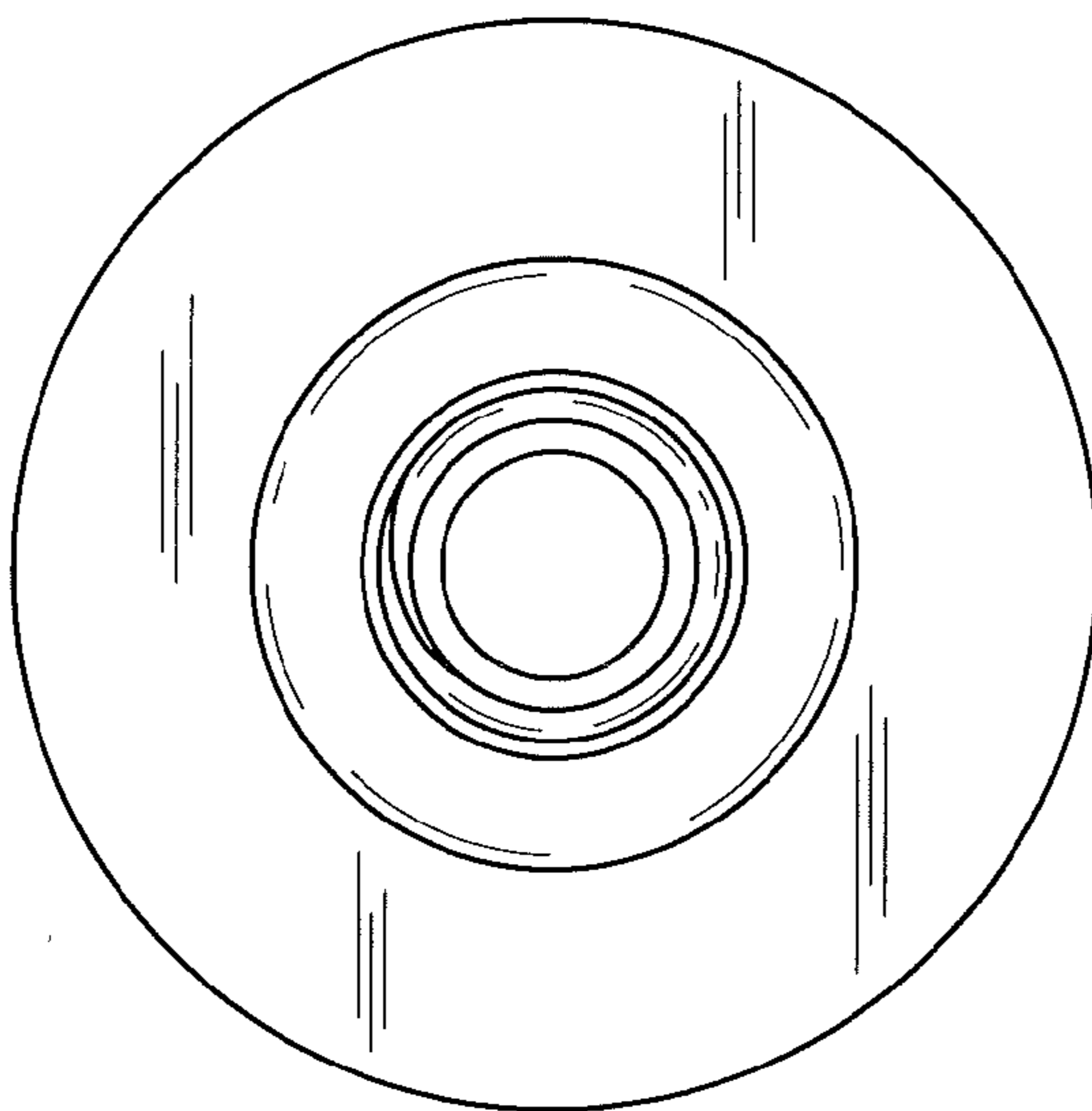




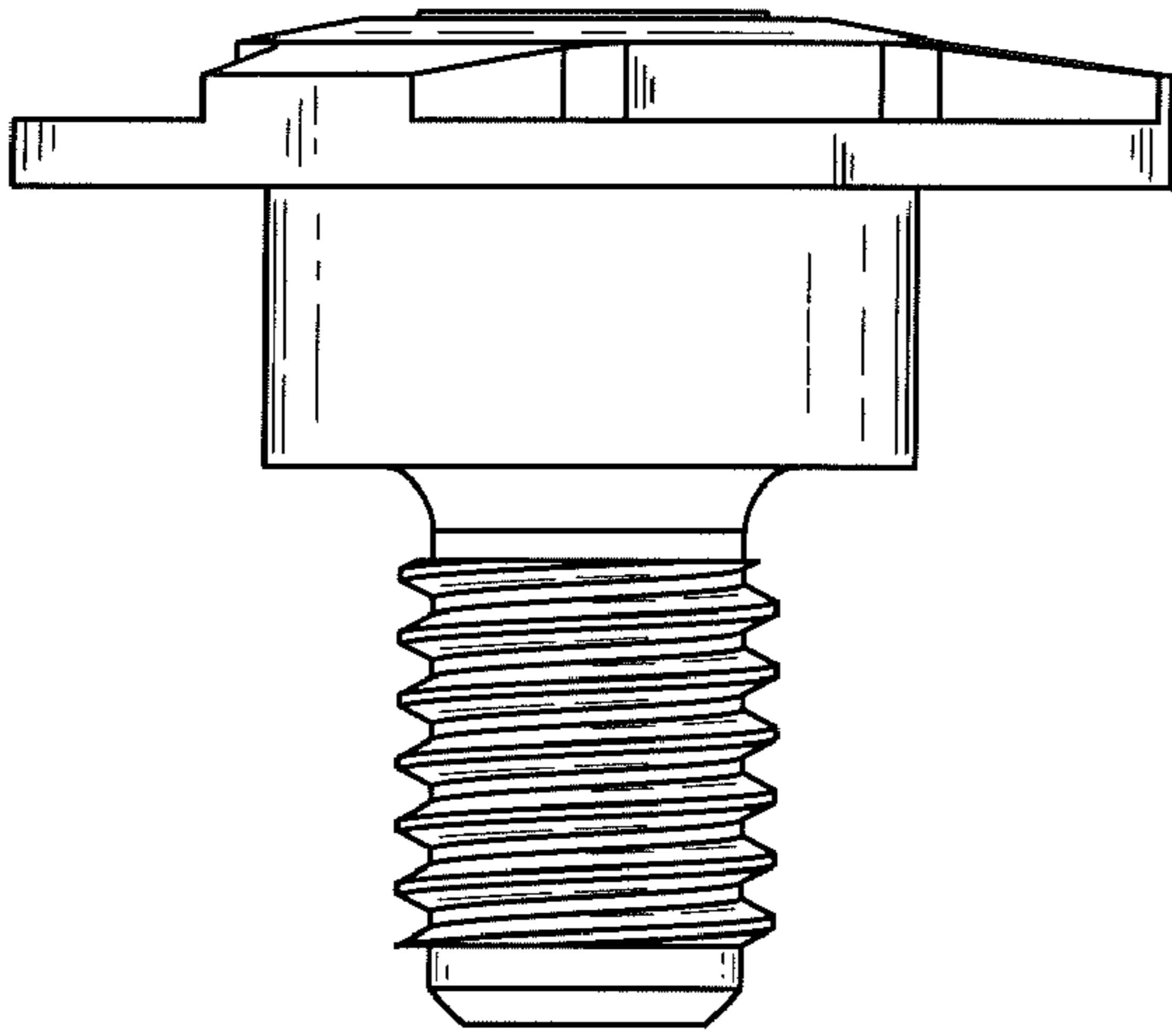
**FIG. 1**



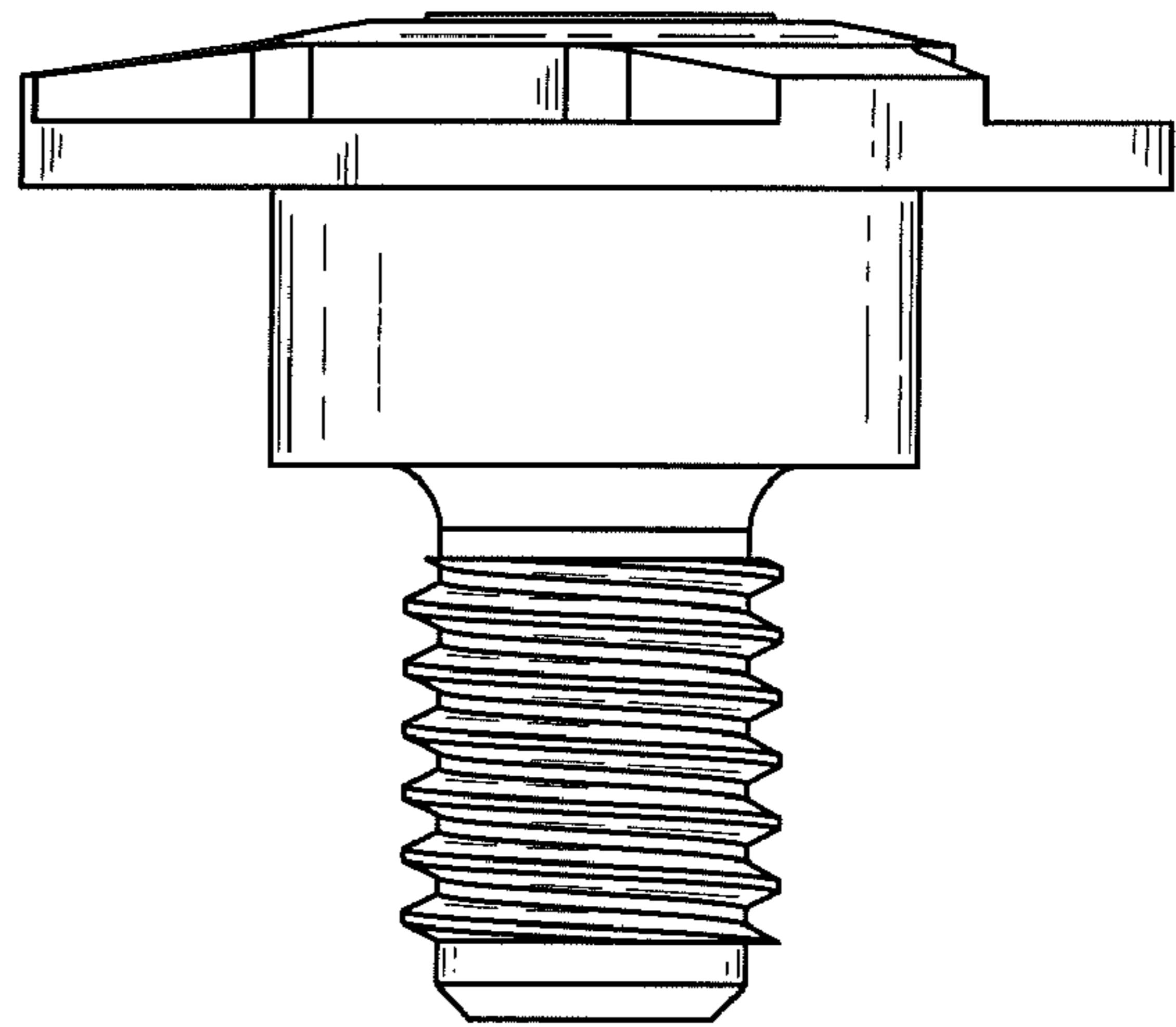
**FIG. 2**



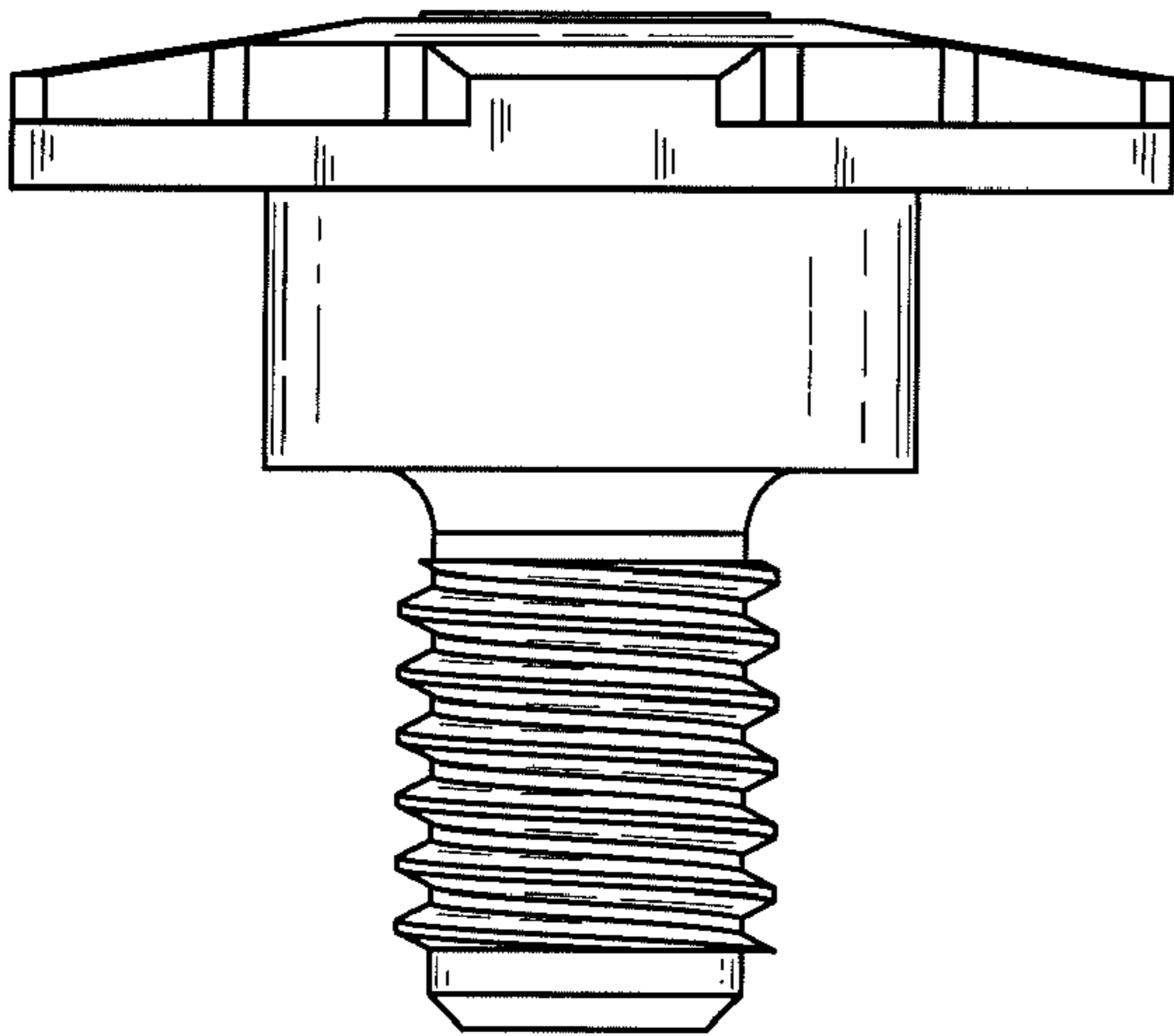
**FIG. 3**



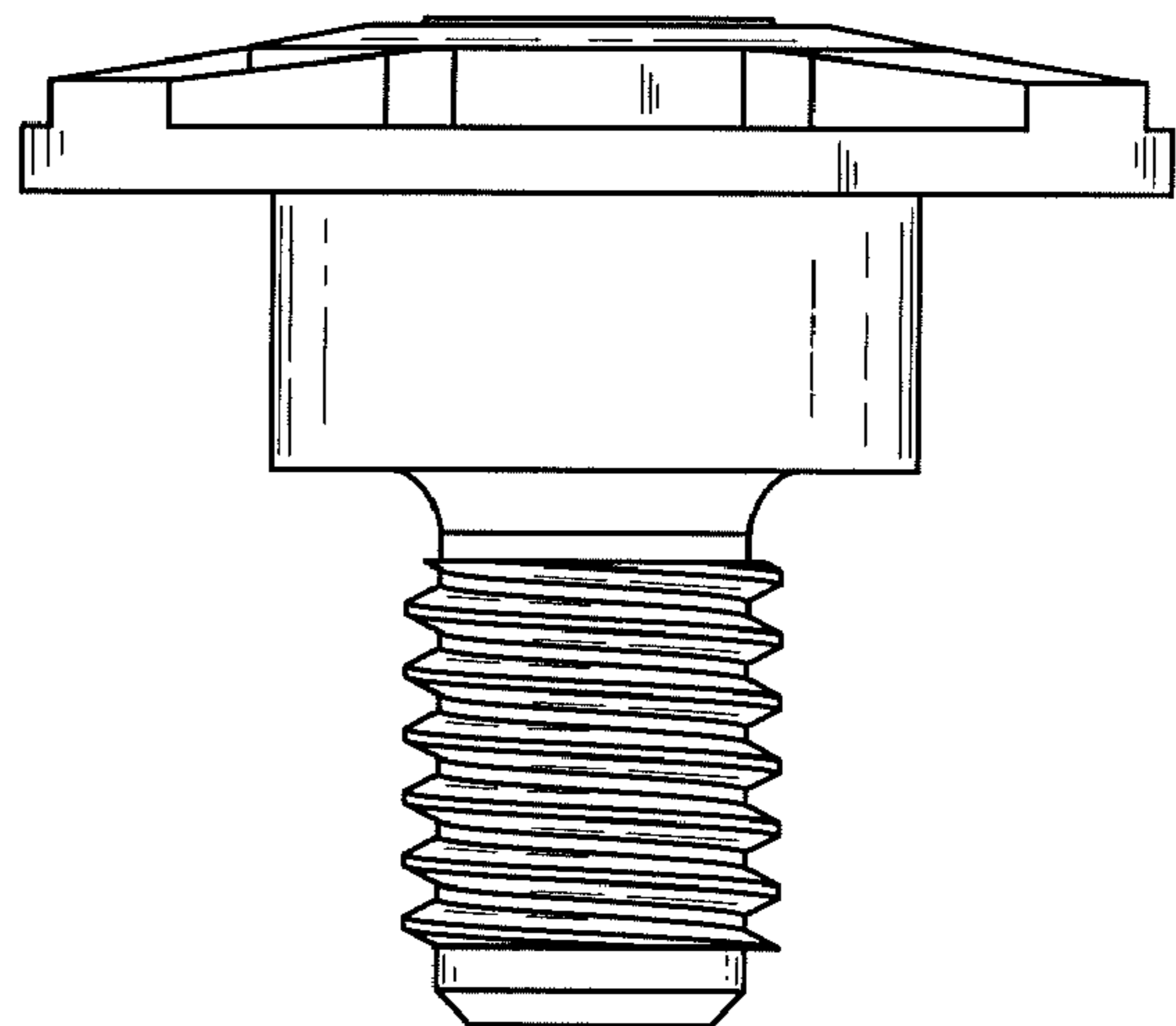
**FIG. 4**



**FIG. 5**



**FIG. 6**



**FIG. 7**