



US00D656569S

(12) **United States Design Patent**
Cisneros

(10) **Patent No.:** **US D656,569 S**
(45) **Date of Patent:** **** Mar. 27, 2012**

(54) **COMBINED GOLF BALL AND TEE PLACEMENT DEVICE**

(76) Inventor: **Raul Cisneros**, Elk Grove, CA (US)

(**) Term: **14 Years**

(21) Appl. No.: **29/397,157**

(22) Filed: **Jul. 12, 2011**

(51) **LOC (9) Cl.** **21-02**

(52) **U.S. Cl.** **D21/720; D21/715**

(58) **Field of Classification Search** D21/715-718,
D21/720, 721, 789, 793, 796; 473/131-137,
473/286, 386, 517; 294/19.2

See application file for complete search history.

(56) **References Cited**

U.S. PATENT DOCUMENTS

204,748	A *	6/1878	McConnell et al.	56/332
1,380,526	A *	6/1921	Carpenter	294/19.2
3,922,027	A *	11/1975	Nesselt	294/19.2
4,466,650	A *	8/1984	Roedel	294/19.2
4,969,646	A *	11/1990	Tobias	473/133
5,330,177	A *	7/1994	Rogge	473/386
5,503,394	A *	4/1996	Mauck et al.	473/386
5,672,121	A *	9/1997	Miller	473/386
D426,856	S *	6/2000	Engel	D21/793

D434,460	S *	11/2000	Carter et al.	D21/718
6,254,497	B1 *	7/2001	Brant et al.	473/386
7,175,547	B2 *	2/2007	Naus, Jr.	473/386
7,229,365	B2 *	6/2007	Berry	473/386

* cited by examiner

Primary Examiner — Catherine Tuttle

(57) **CLAIM**

The ornamental design for a combined golf ball and tee placement device, as shown and described.

DESCRIPTION

FIG. 1 is a perspective view of showing my new design, together with broken lines representing a golf tee engaged therewith;

FIG. 2 is a left side view of FIG. 1;

FIG. 3 is a right side view of FIG. 1;

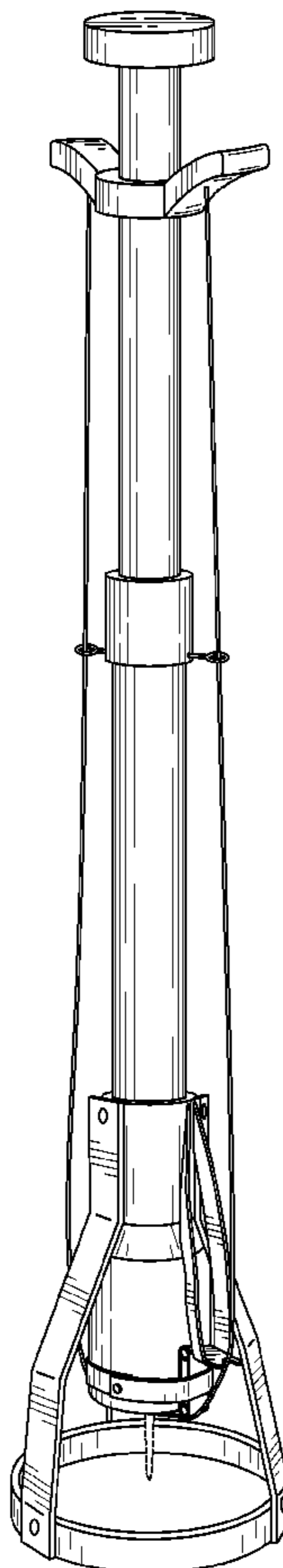
FIG. 4 is a left side view wherein parts of the design are shown in an alternate, relaxed position with the tee removed;

FIG. 5 is a top view of FIG. 1; and,

FIG. 6 is a bottom view of FIG. 4, shown with broken lines representing a golf ball stored in the ball chamber.

The broken lines showing the tee and golf ball are included for the purpose of illustrating use and environment that form no part of the claimed design.

1 Claim, 3 Drawing Sheets



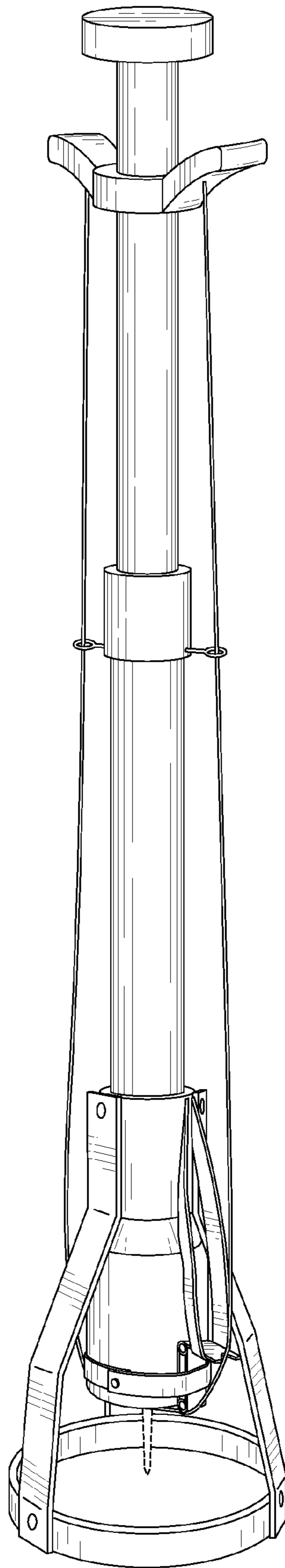


FIG. 1

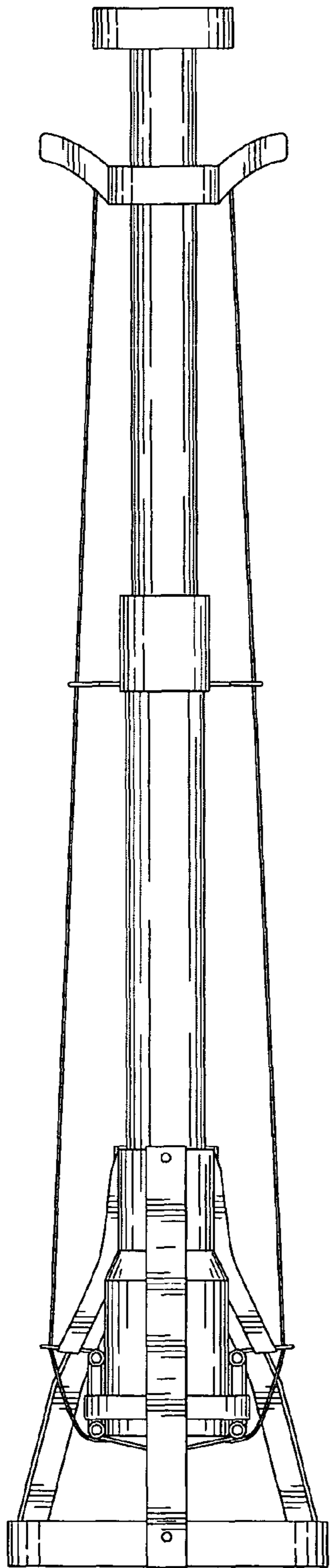


FIG. 2

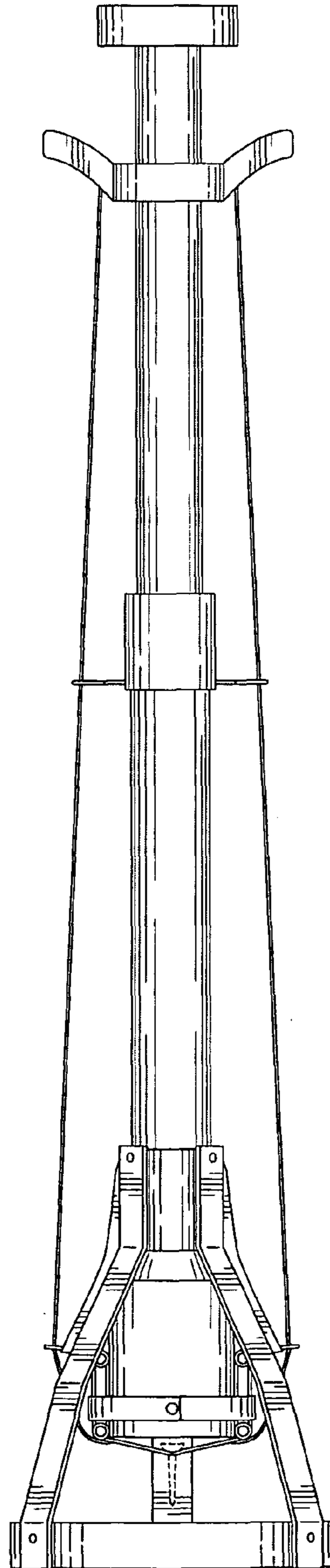


FIG. 3

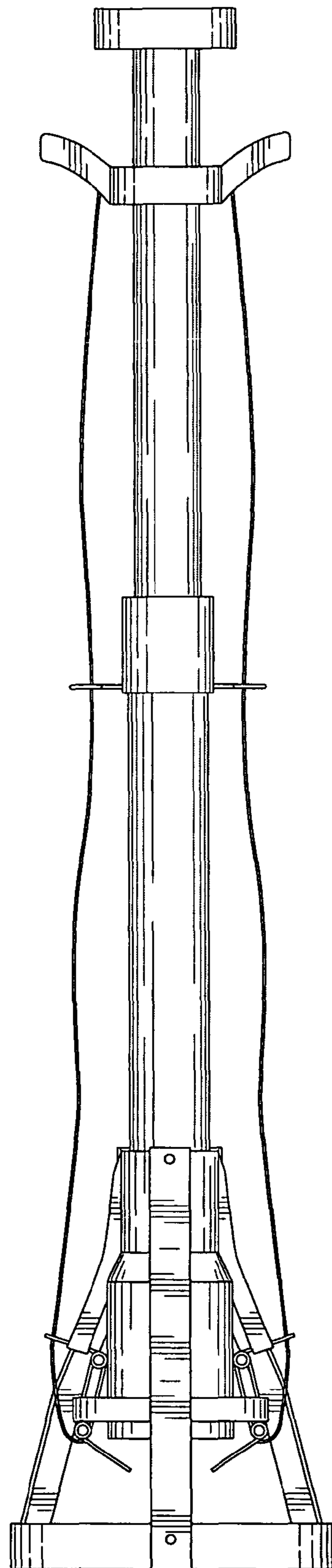


FIG. 4

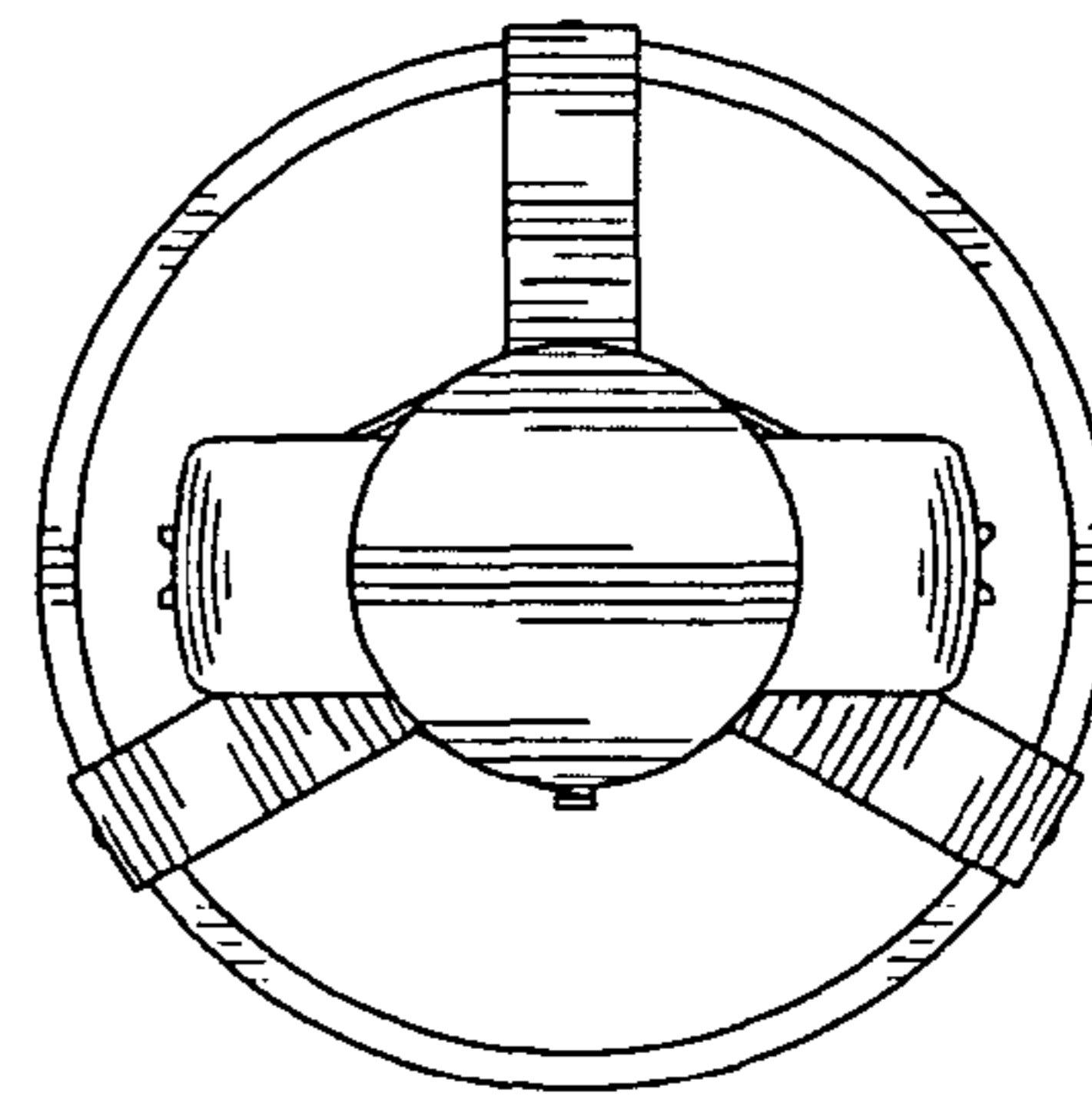


FIG. 5

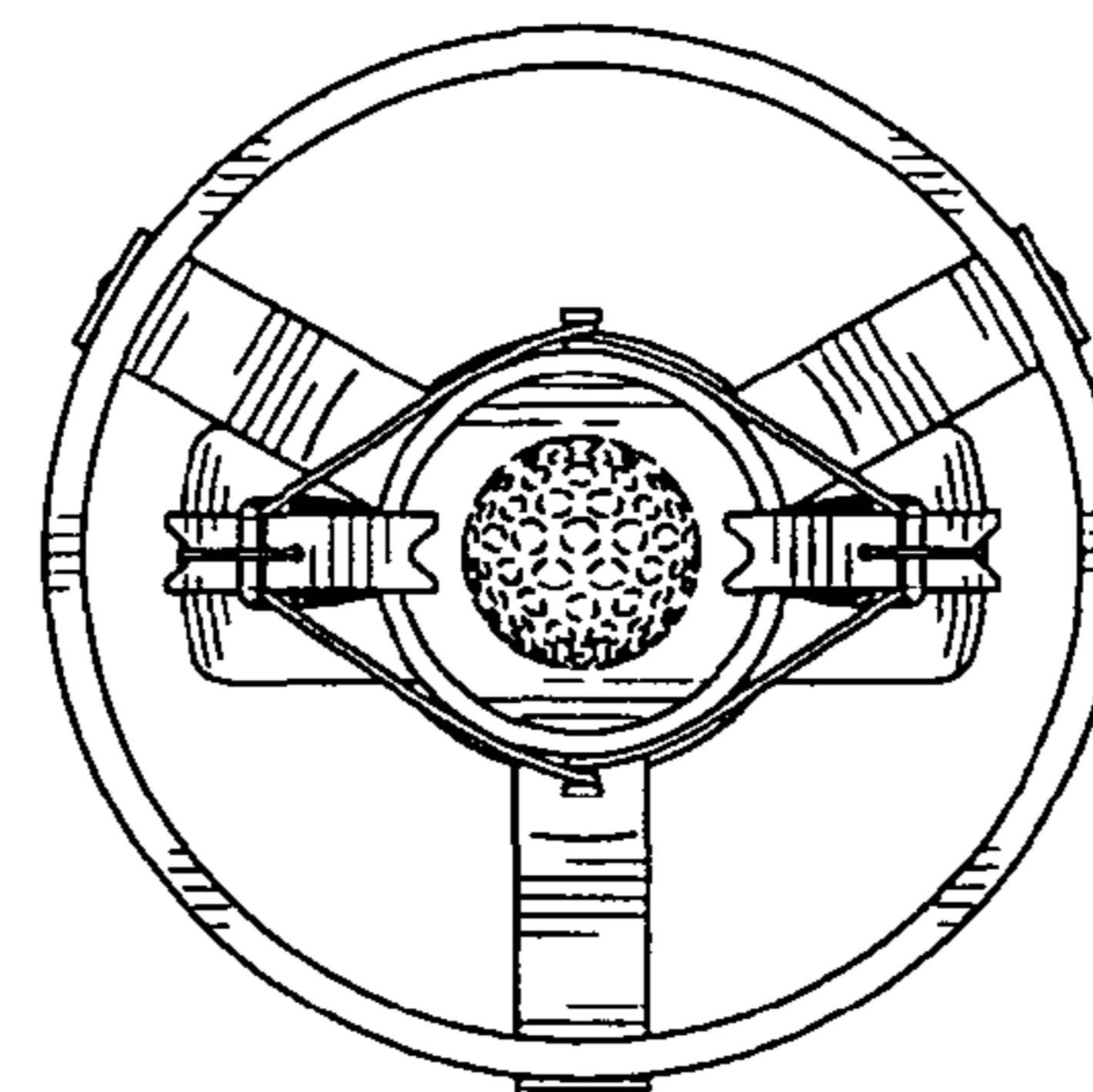


FIG. 6