



US00D656566S

(12) **United States Design Patent**
Decommer

(10) **Patent No.:** **US D656,566 S**
(45) **Date of Patent:** **** Mar. 27, 2012**

(54) **INDOOR TRAINING BIKE**

(75) Inventor: **Steven Decommer**, Waasmunster (BE)

(73) Assignee: **DS-Design, besloten vennootschap met beperkte aansprakelijkheid**, Waasmunster (BE)

(**) Term: **14 Years**

(21) Appl. No.: **29/393,086**

(22) Filed: **May 31, 2011**

(30) **Foreign Application Priority Data**

Dec. 17, 2010 (BE) 001795188-0001

(51) **LOC (9) Cl.** **21-02**

(52) **U.S. Cl.** **D21/667**

(58) **Field of Classification Search** D21/662-670,
D21/694, 697; 482/51-52, 57-65; 280/266,
280/282, 284, 288.1, 288.3, 304.4, 835; D12/111
See application file for complete search history.

(56) **References Cited**

U.S. PATENT DOCUMENTS

D280,923 S * 10/1985 Smith et al. D21/667
D291,462 S * 8/1987 Aalto D21/667

D299,732 S * 2/1989 Gustafsson D21/667
D307,928 S * 5/1990 Meisner D21/663
D311,047 S * 10/1990 Carnielli D21/667
D323,368 S * 1/1992 Whitesel D21/667
D343,659 S * 1/1994 Kiiski D21/667
D356,840 S * 3/1995 Huang D21/667
D430,240 S * 8/2000 Chang D21/667
7,364,533 B2 * 4/2008 Baker 482/57
7,641,600 B2 * 1/2010 Bingham et al. 482/57
D636,449 S * 4/2011 Wu D21/667
7,927,258 B2 * 4/2011 Irving et al. 482/57

* cited by examiner

Primary Examiner — Susan E Krakower

(74) *Attorney, Agent, or Firm* — Bacon & Thomas, PLLC

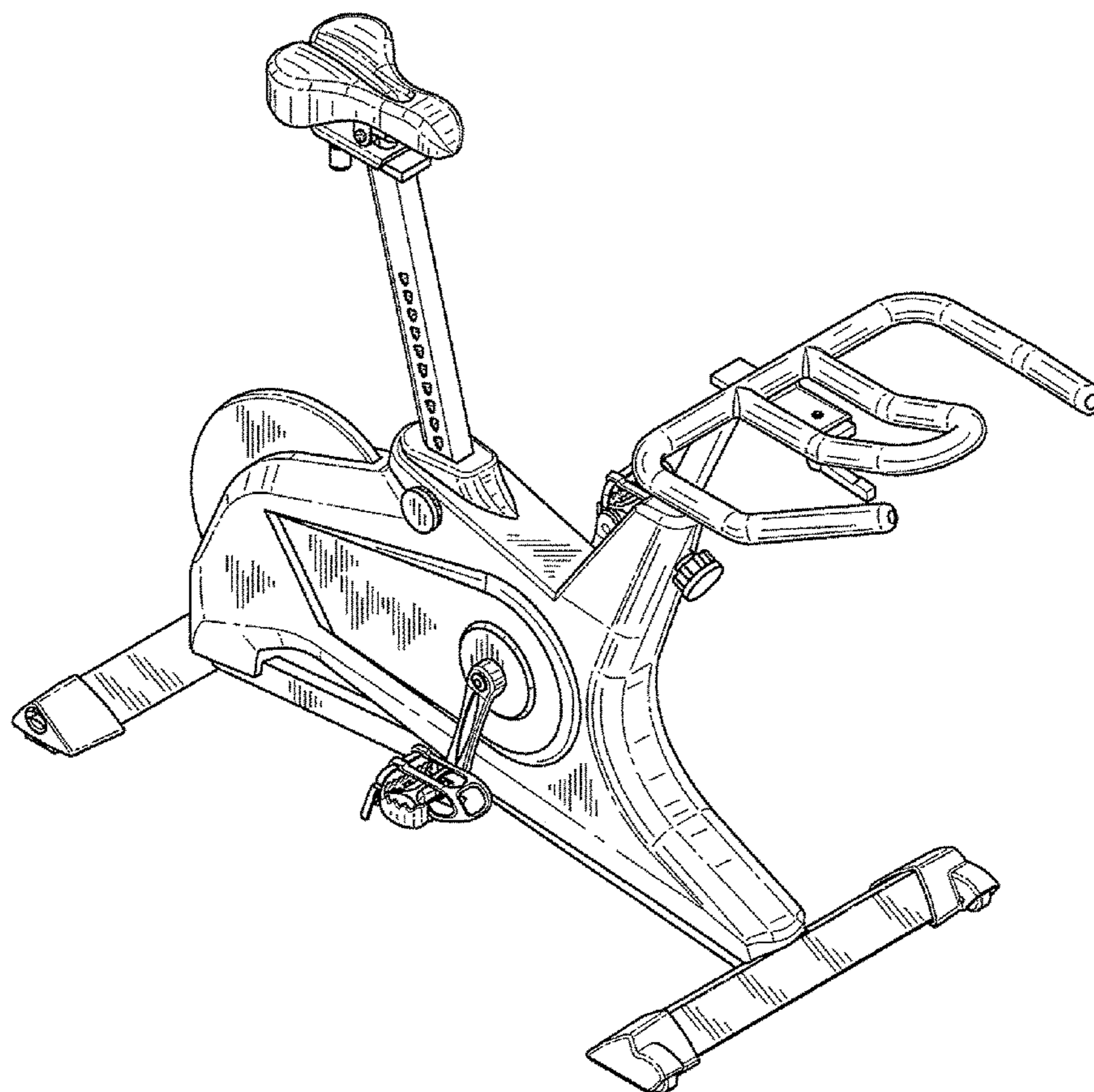
(57) **CLAIM**

The ornamental design for indoor training bike, as shown and described.

DESCRIPTION

FIG. 1 is an upper right perspective view of my design; FIG. 2 is an upper left perspective view thereof; FIG. 3 is a left side elevation view thereof; FIG. 4 is a right side elevation view thereof; FIG. 5 is a front elevation view thereof; and, FIG. 6 is a top plan thereof.

1 Claim, 6 Drawing Sheets



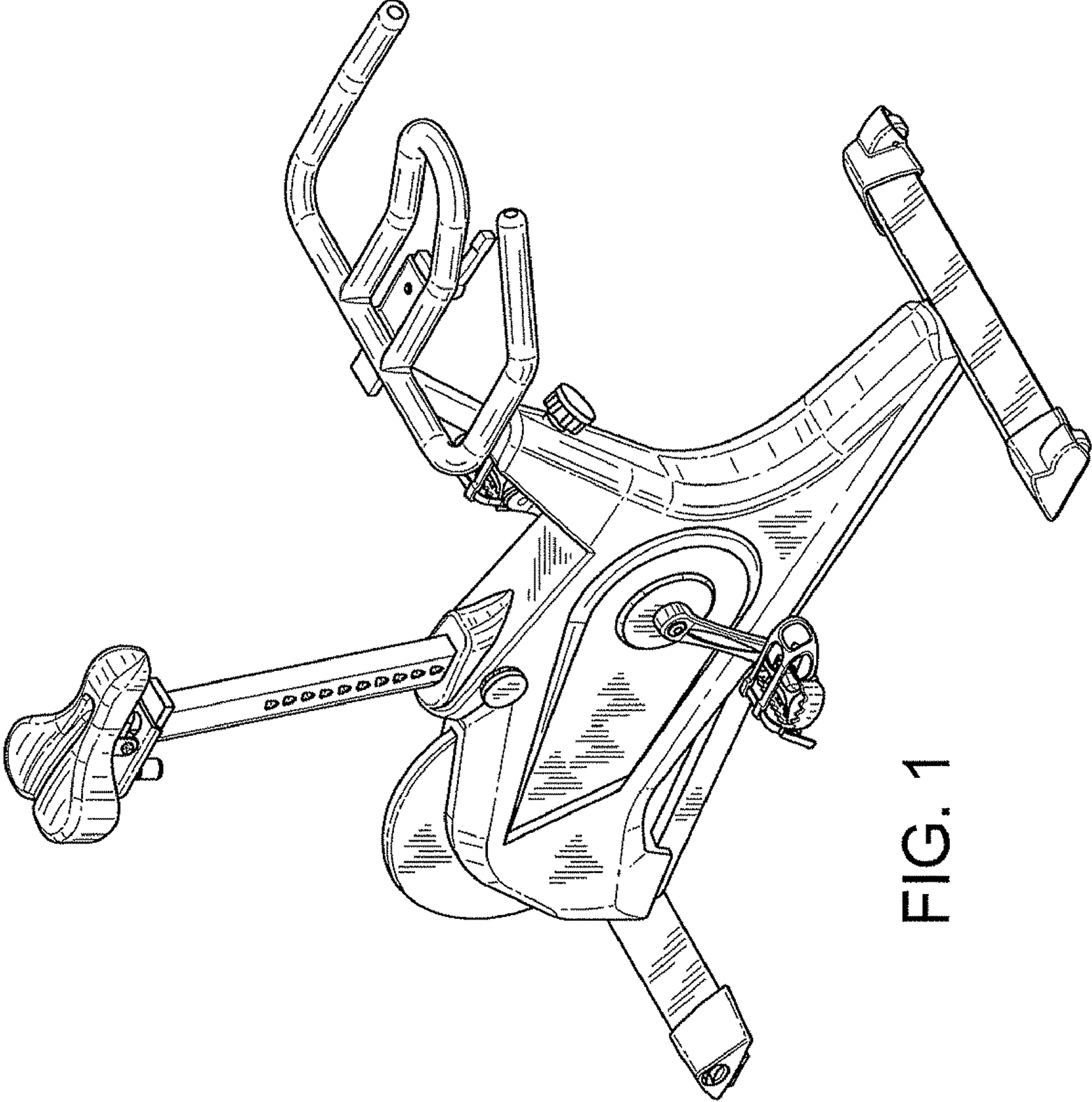


FIG. 1

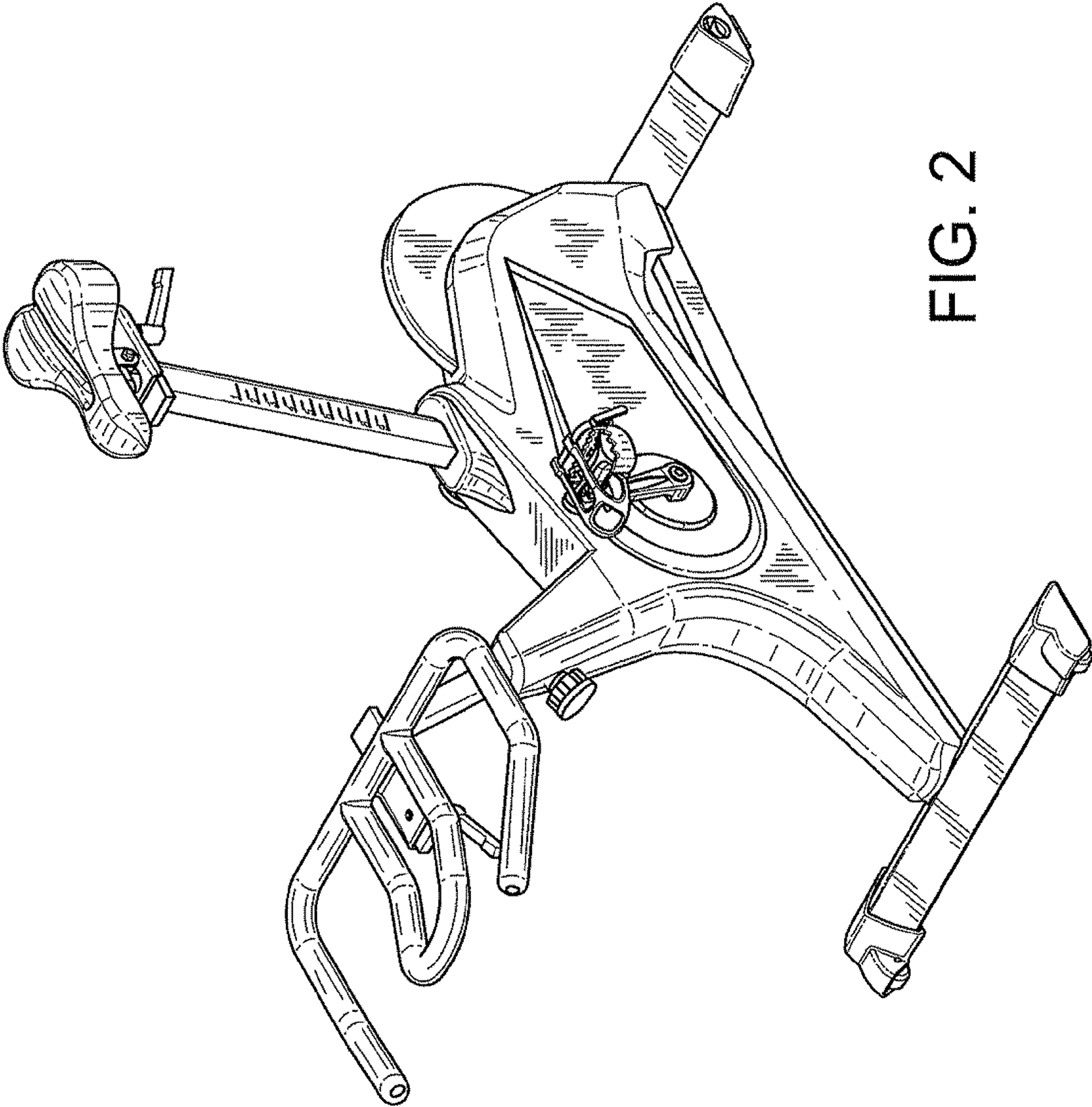


FIG. 2

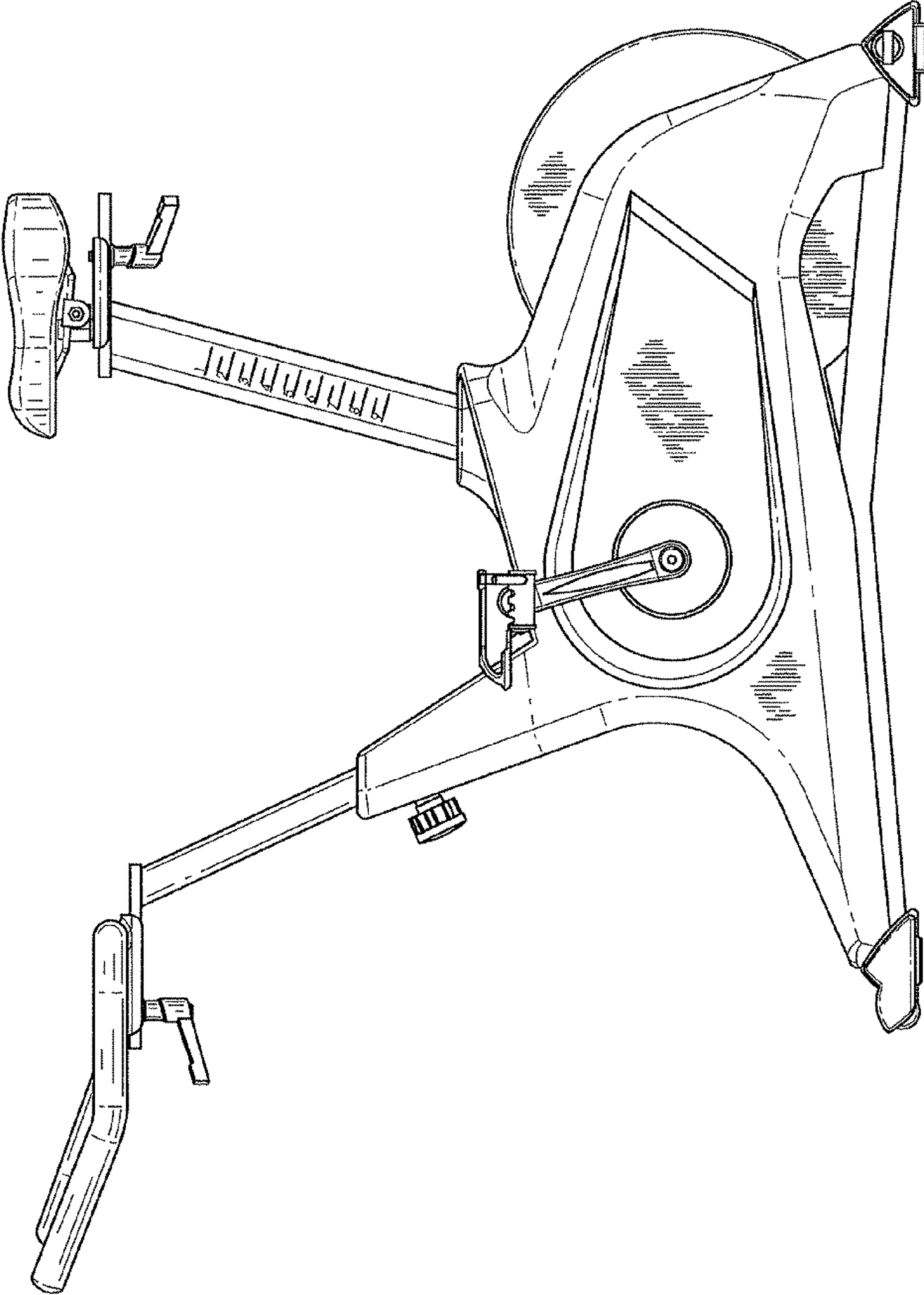


FIG. 3

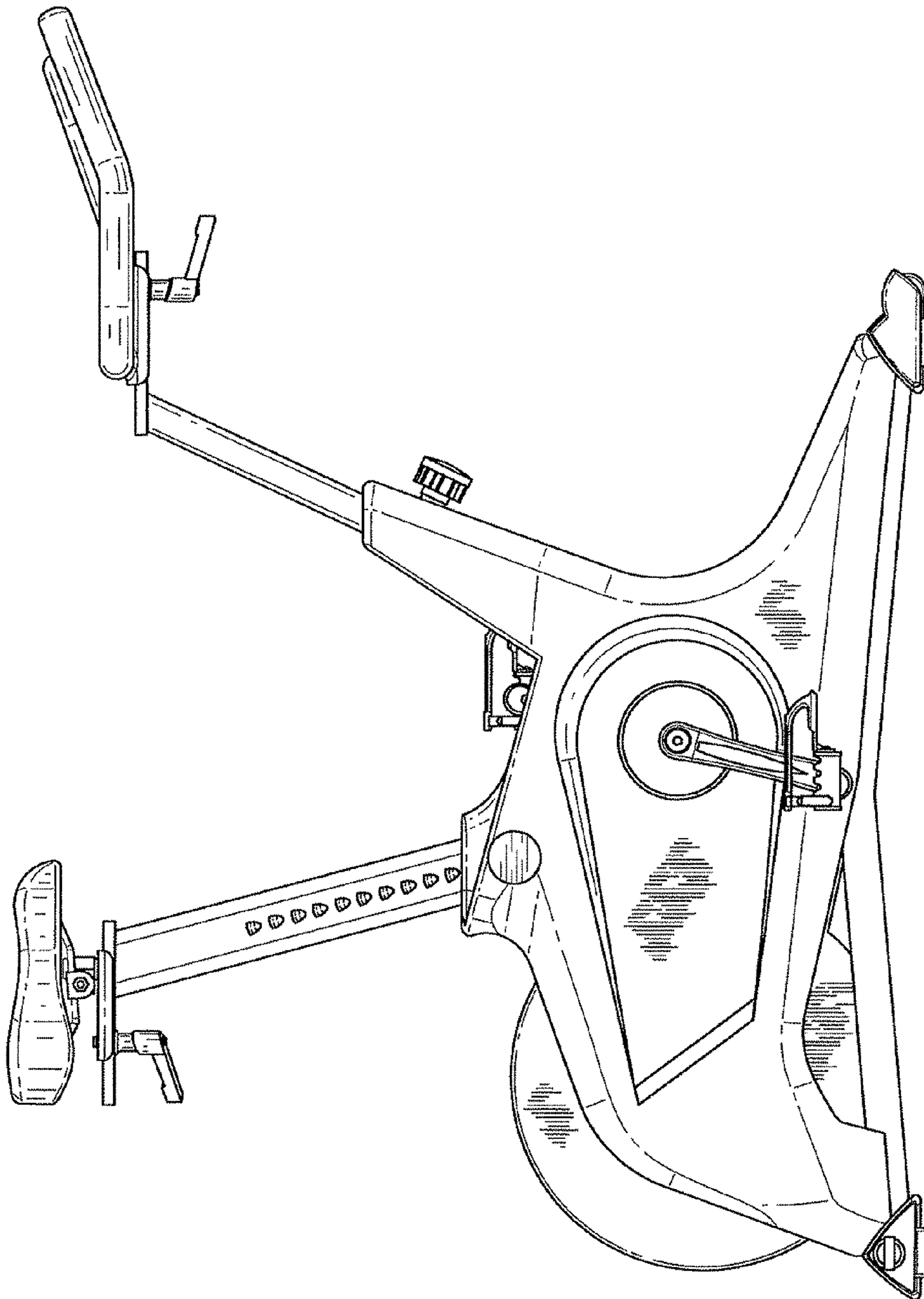


FIG. 4

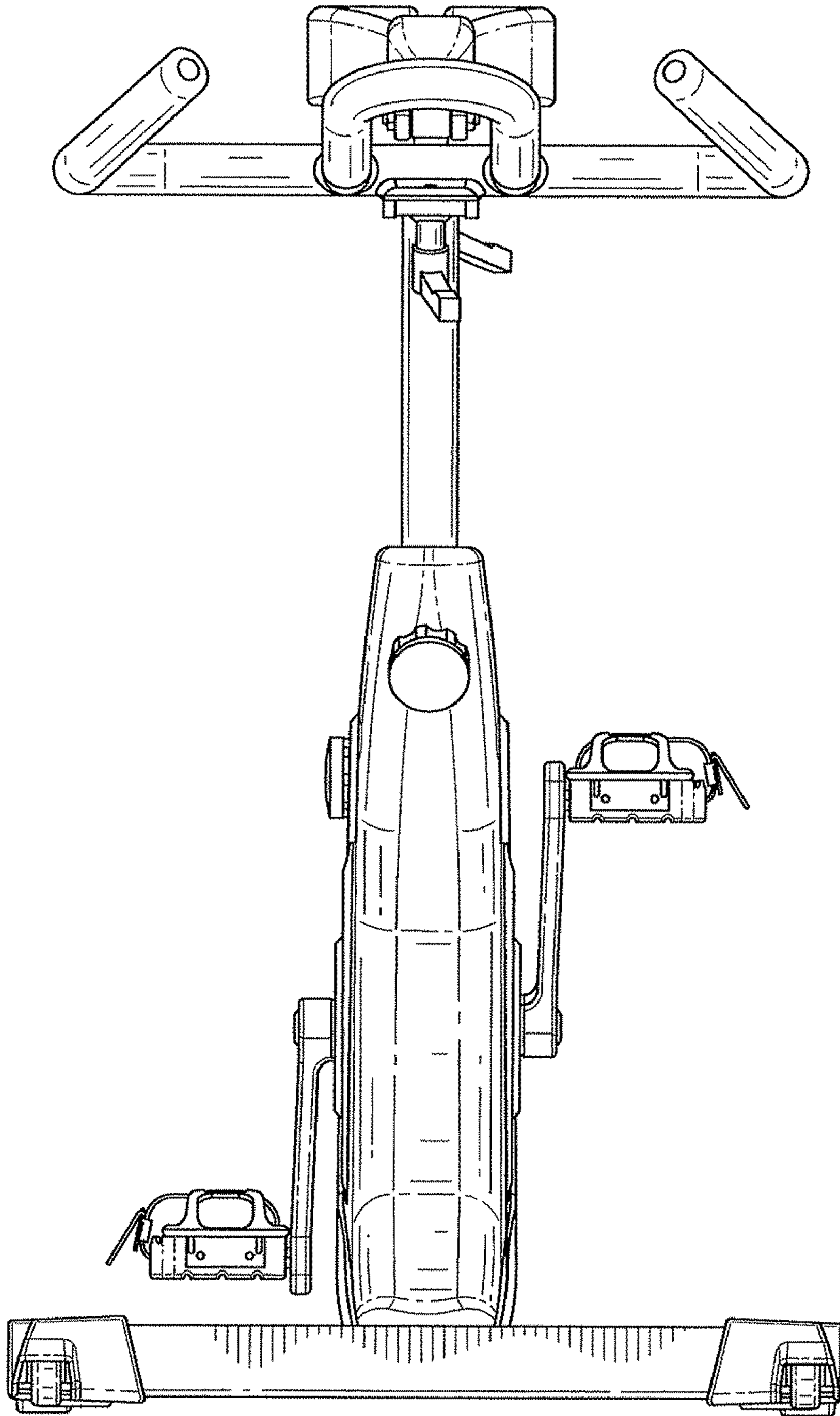


FIG. 5

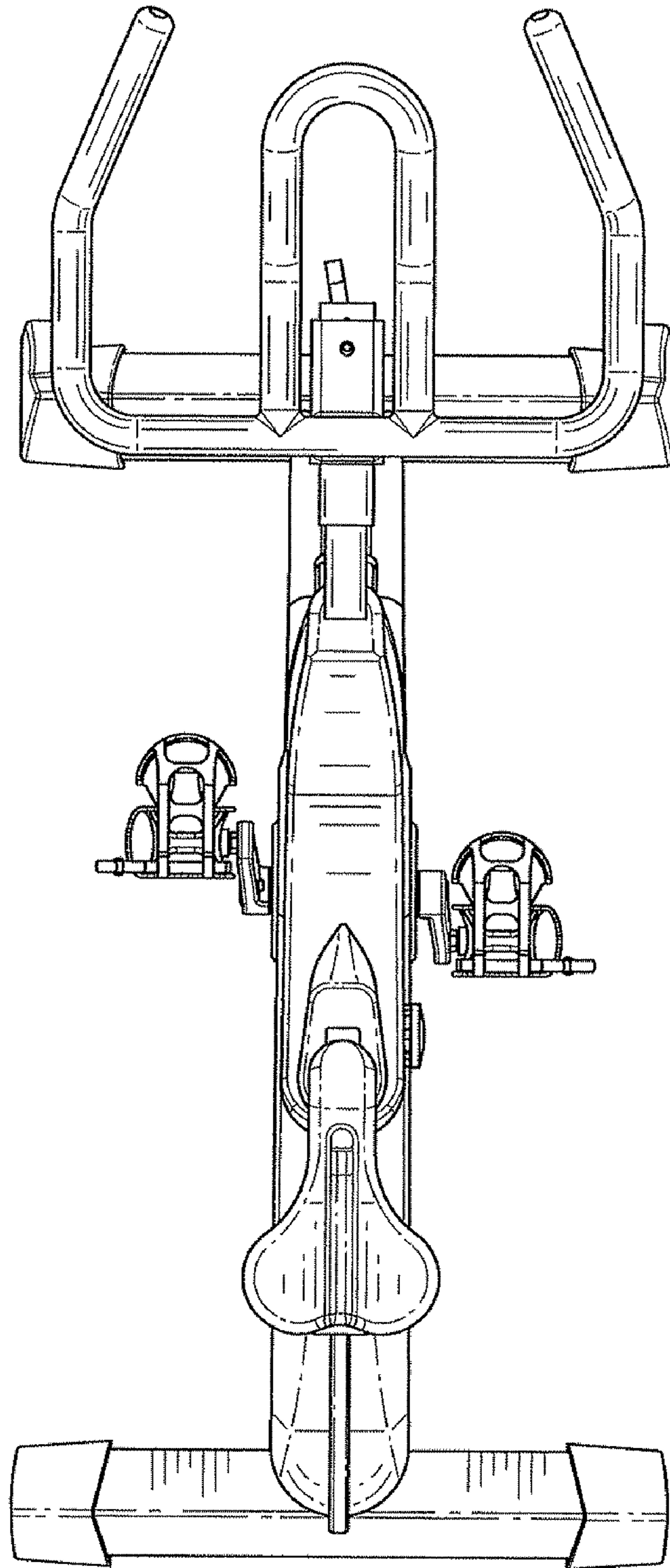


FIG. 6