



US00D656563S

(12) **United States Design Patent**
Rucerito

(10) **Patent No.:** **US D656,563 S**
(45) **Date of Patent:** **** Mar. 27, 2012**

(54) **TOY AIR CANNON**

(76) Inventor: **Robert Rucerito**, Davie, FL (US)

(**) Term: **14 Years**

(21) Appl. No.: **29/383,930**

(22) Filed: **Jan. 24, 2011**

(51) **LOC (9) Cl.** **21-01**

(52) **U.S. Cl.** **D21/570**

(58) **Field of Classification Search** D21/567,
D21/570, 573, 574; D22/100, 101, 103,
D22/104, 105, 108; 124/22, 37, 40, 41.1,
124/45, 49, 51.1, 55, 56, 69, 70-74, 79; 42/1.02,
42/7, 50, 65, 66, 70.11, 71.01, 71.02, 74,
42/75.03, 117

See application file for complete search history.

(56) **References Cited**

U.S. PATENT DOCUMENTS

D191,872	S	*	12/1961	Carter et al.	D22/100
3,342,171	A	*	9/1967	Ryan et al.	124/55
D212,957	S	*	12/1968	Zick	D21/570
D316,123	S	*	4/1991	Shiung-Fei	D21/570
5,267,549	A	*	12/1993	Webber	124/65
D352,975	S	*	11/1994	Wakasa	D21/569
D355,000	S	*	1/1995	Arad et al.	D21/570
5,769,066	A	*	6/1998	Schneider	124/75
5,787,869	A	*	8/1998	Johnson et al.	124/69
6,119,671	A	*	9/2000	Smith et al.	124/59

D505,983	S	*	6/2005	Itami et al.	D21/570
6,904,901	B2	*	6/2005	Mitchell	124/65
D565,672	S	*	4/2008	Sapir	D21/570

OTHER PUBLICATIONS

Admitted Prior Art: Ball Blaster Systems by Phantom, Inc.; <http://www.artattackfx.com/balladium/balladium.htm>.

Admitted Prior Art: Ball Shooter Systems by International Play company; http://www.internationalplayco.com/index.php?page_id=63.

* cited by examiner

Primary Examiner — Cynthia M Chin

(74) *Attorney, Agent, or Firm* — Workman Nydegger

(57) **CLAIM**

The ornamental design for a toy air canon, as shown and described.

DESCRIPTION

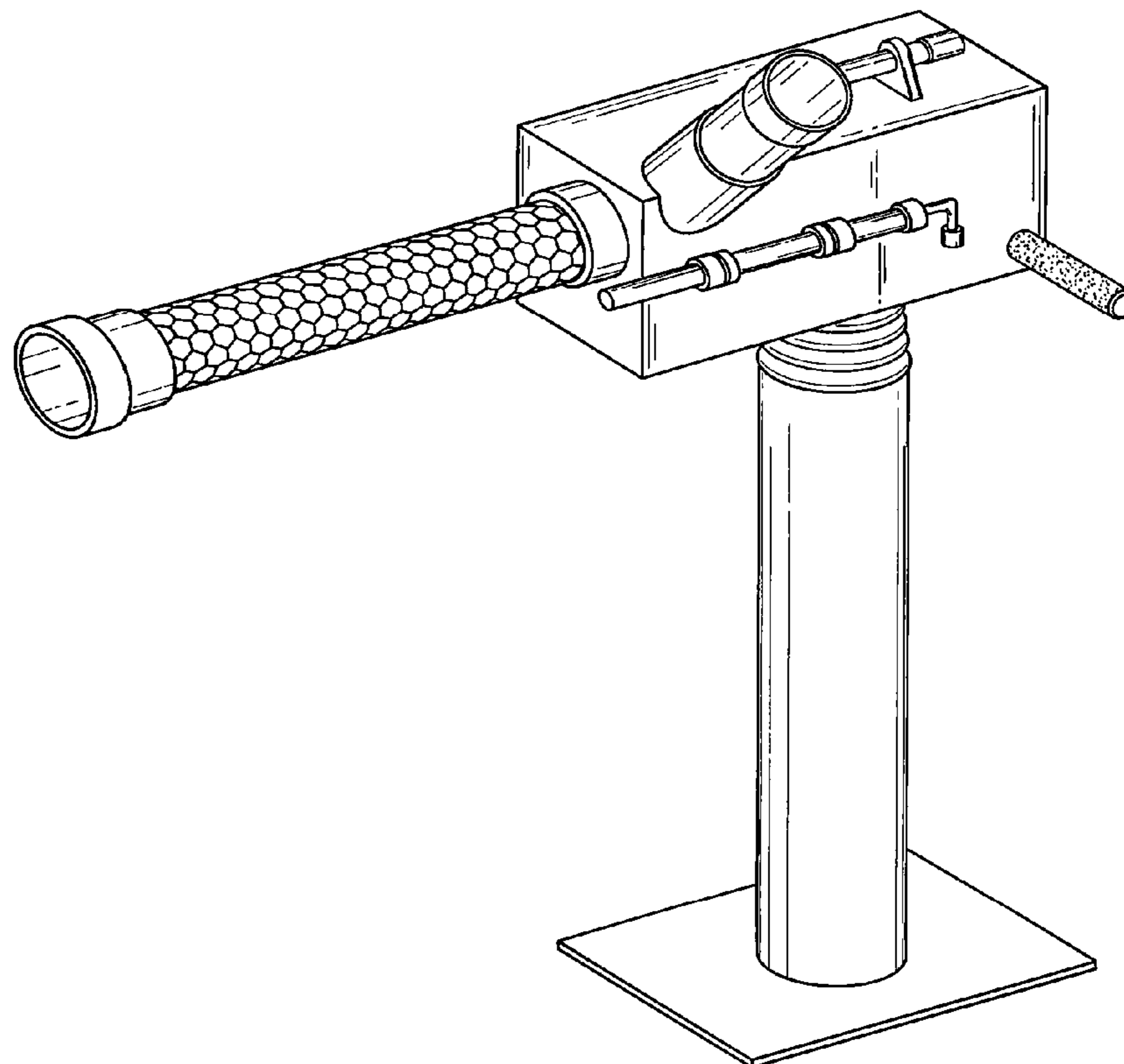
FIG. 1 shows a perspective view of the left side of the gun, wherein the perspective is taken from the barrel side of the gun.

FIG. 2 shows a perspective view of the right side of the gun, wherein the perspective is taken from the barrel side of the gun; and,

FIG. 3 shows a perspective view of the left side of the gun, wherein the perspective is taken from the operator side of the gun.

The bottom of the base of the gun is flat and has no claimed features.

1 Claim, 3 Drawing Sheets



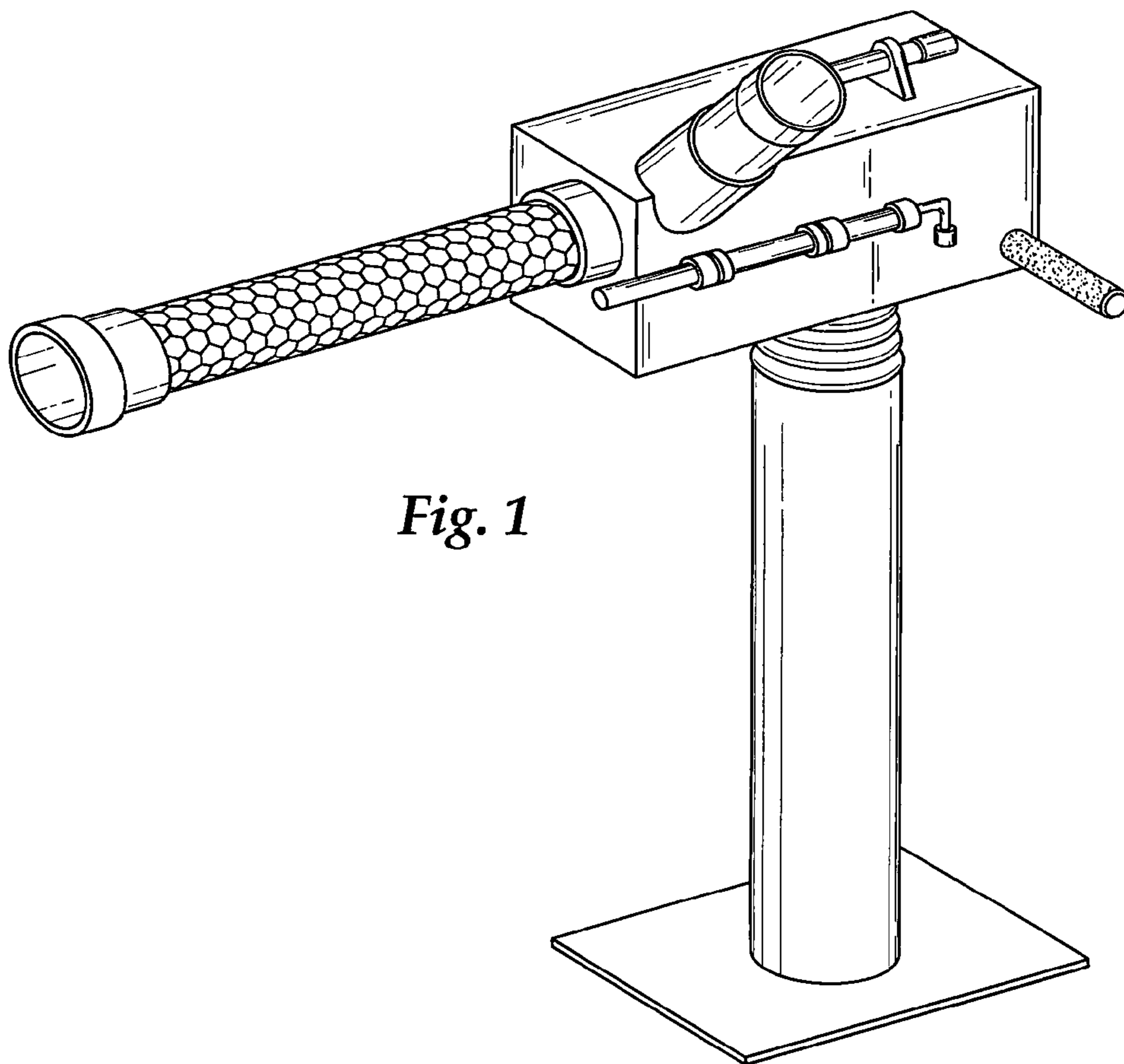


Fig. 1

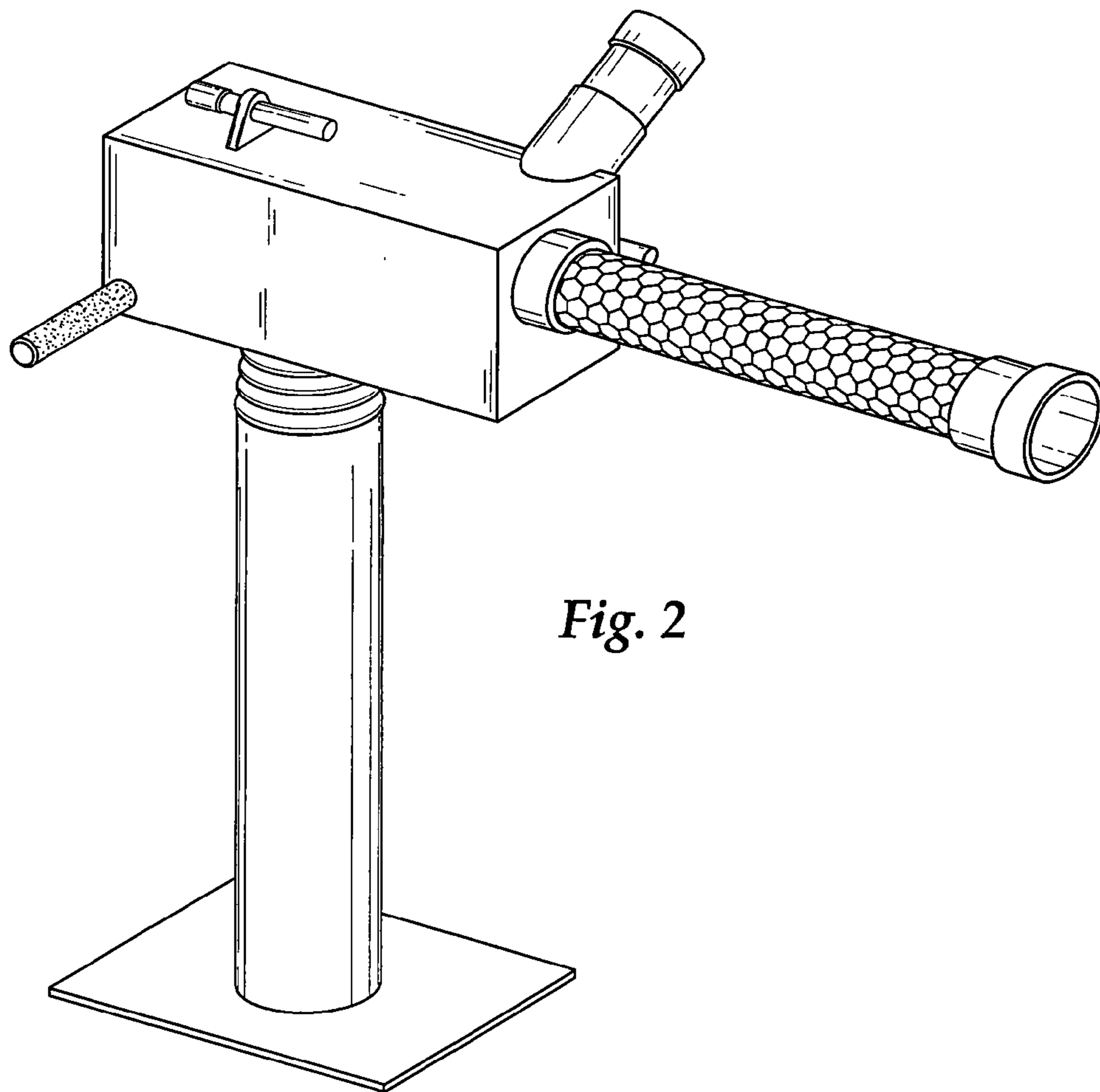


Fig. 2

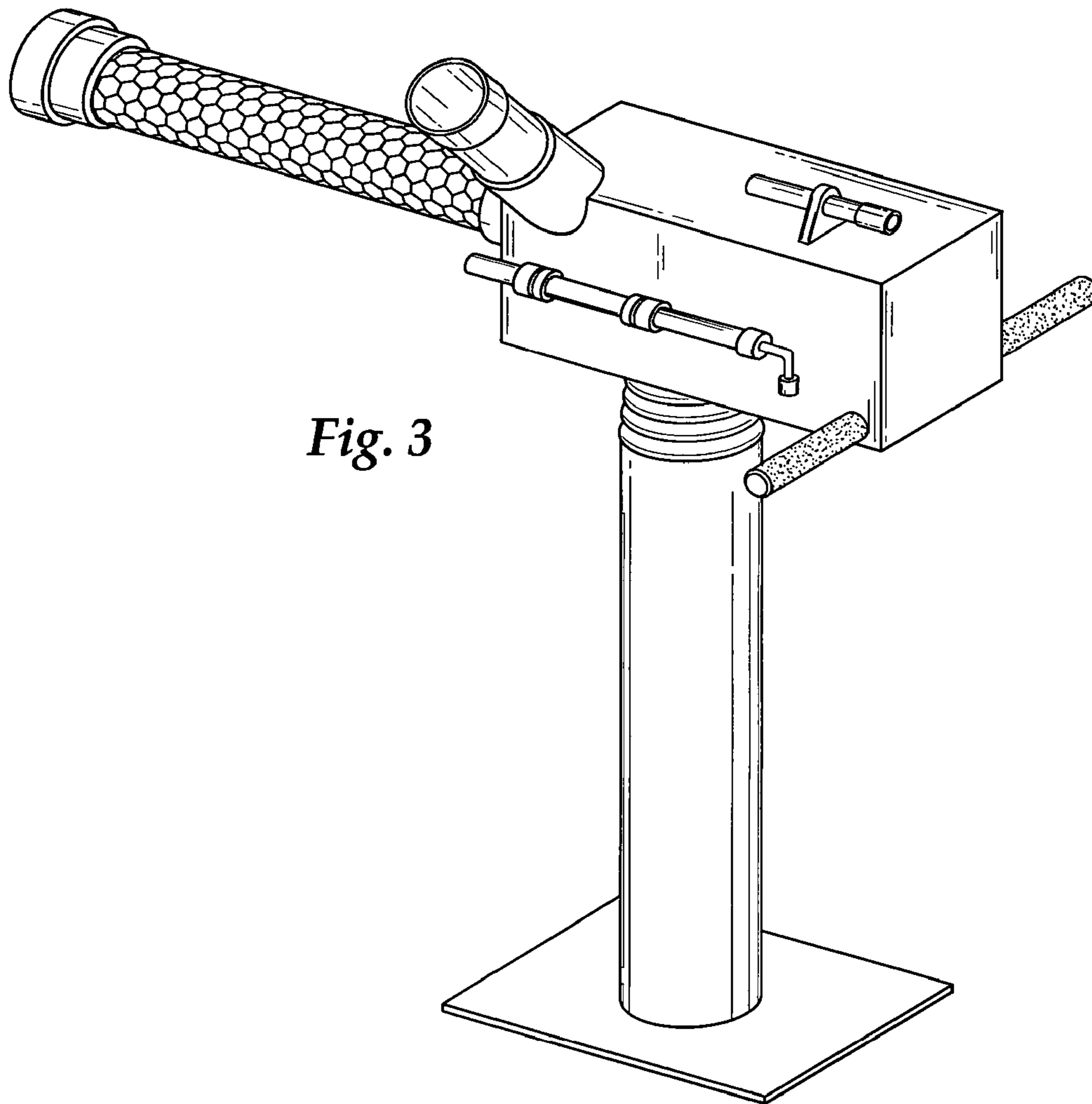


Fig. 3