

US00D656561S

(12) **United States Design Patent**
Hong

(10) **Patent No.:** **US D656,561 S**

(45) **Date of Patent:** **** *Mar. 27, 2012**

(54) **RIDE-ON TOY VEHICLE**

(76) Inventor: **Jae Hyun Hong**, La Mirada, CA (US)

(*) Notice: This patent is subject to a terminal disclaimer.

(**) Term: **14 Years**

(21) Appl. No.: **29/364,974**

(22) Filed: **Jun. 30, 2010**

(51) **LOC (9) Cl.** **21-01**

(52) **U.S. Cl.** **D21/424; D21/432**

(58) **Field of Classification Search** D21/419,
D21/424, 432-434, 538, 548, 551; D12/1,
D12/16, 87-88, 107; 446/424, 425, 427,
446/431, 433, 440, 454, 456, 457, 462, 465,
446/470; 280/29, 203, 210, 263, 87.01, 87.021,
280/828, 1.13

See application file for complete search history.

(56) **References Cited**

U.S. PATENT DOCUMENTS

D272,166 S * 1/1984 Orenstein D21/424
D299,663 S * 1/1989 Harrod D21/432

D423,603 S * 4/2000 Tasy D21/424
D429,774 S * 8/2000 Lerch D21/432
D534,964 S * 1/2007 Chung D21/432

* cited by examiner

Primary Examiner — Cynthia M Chin

(74) *Attorney, Agent, or Firm* — John K. Park; Park Law Firm

(57) **CLAIM**

The ornamental design for a ride-on toy vehicle, as shown and described.

DESCRIPTION

FIG. 1 is a perspective view of a ride-on toy vehicle showing my new design;
FIG. 2 is a front elevational view thereof;
FIG. 3 is a rear elevational view thereof;
FIG. 4 is a side elevational view thereof;
FIG. 5 is a top plan view thereof; and,
FIG. 6 is a bottom plan view thereof.
The broken lines shown are included for the purpose of illustrating the unclaimed portions of the article and form no part of the claimed design.

1 Claim, 5 Drawing Sheets

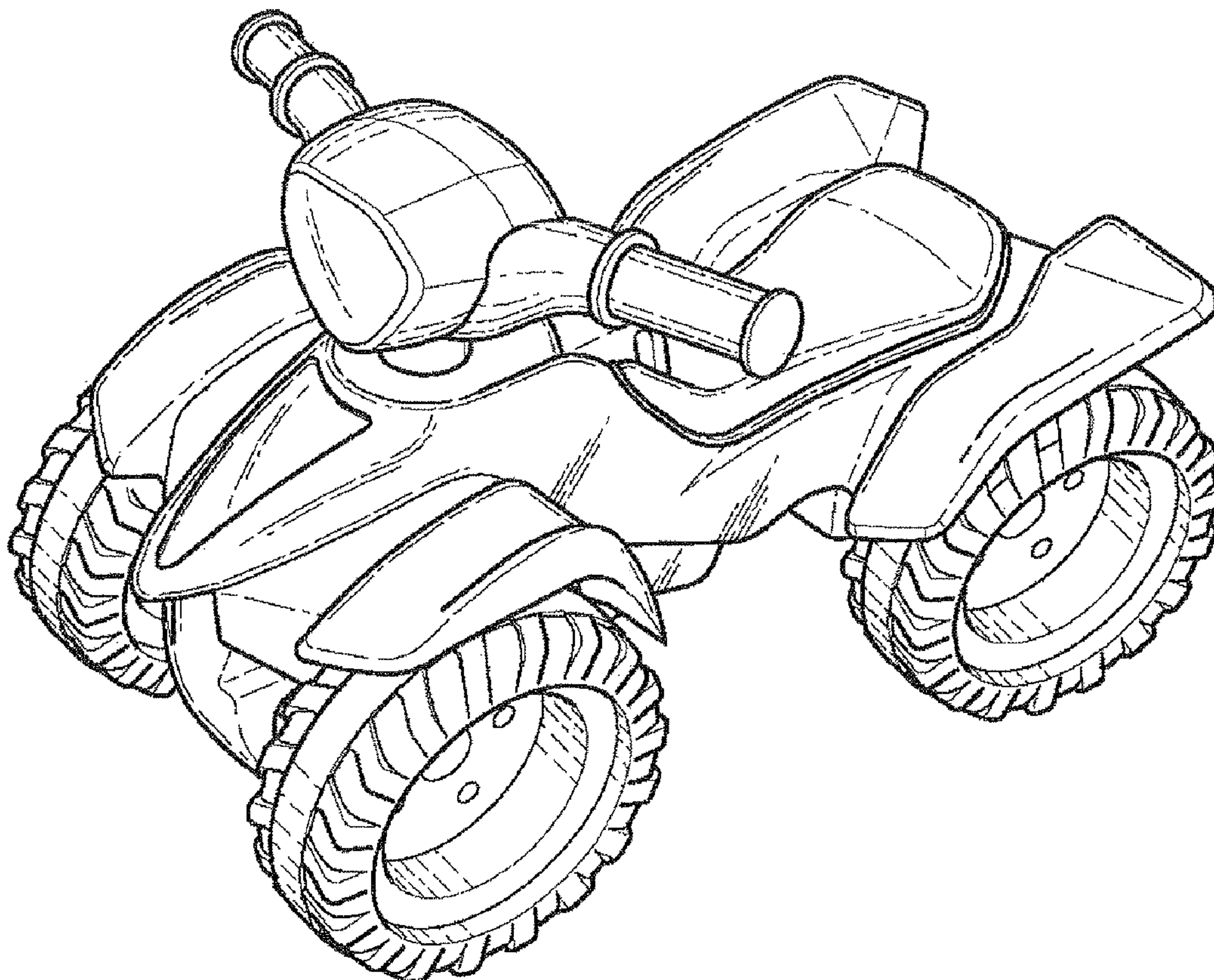


FIG. 1

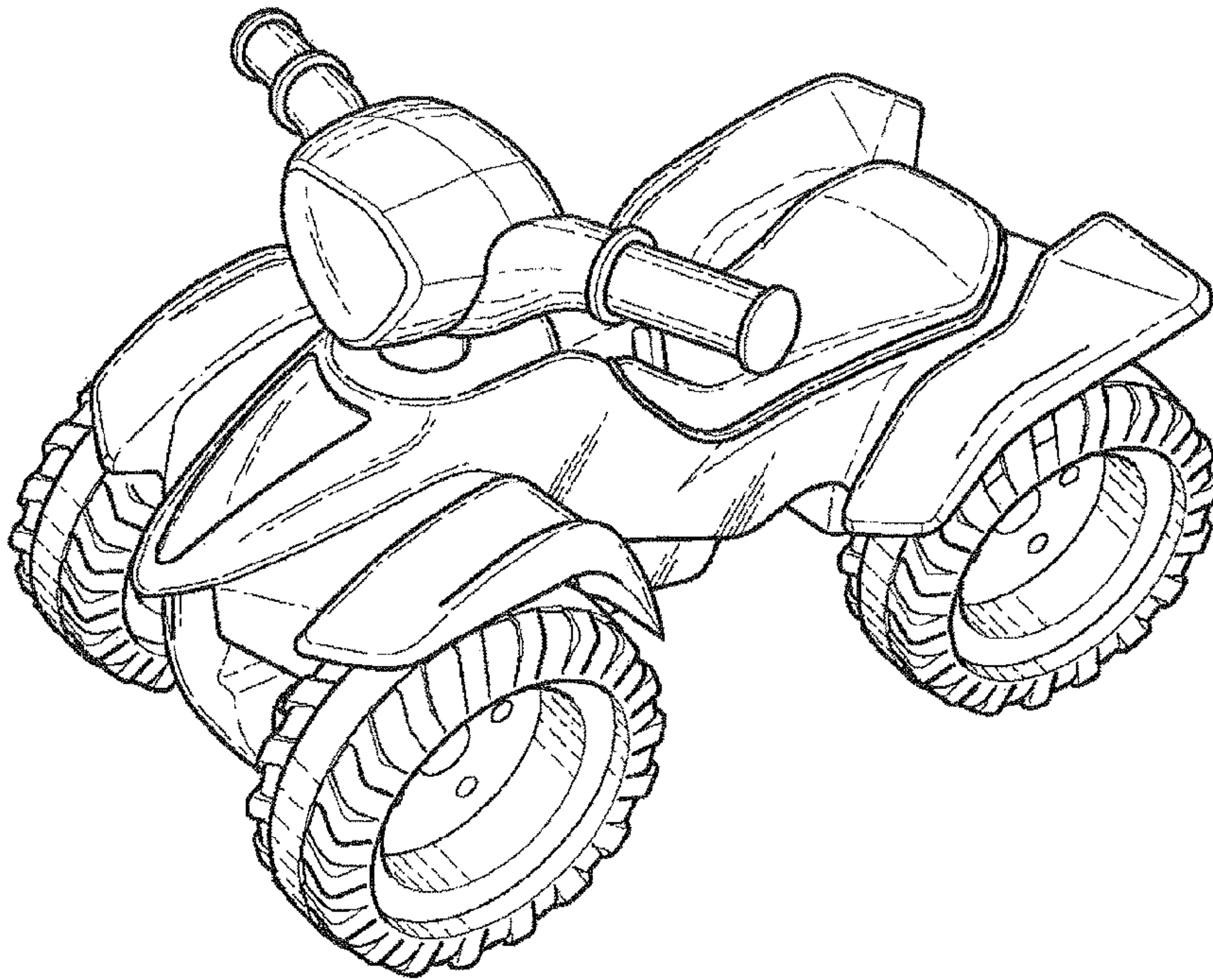


FIG. 2

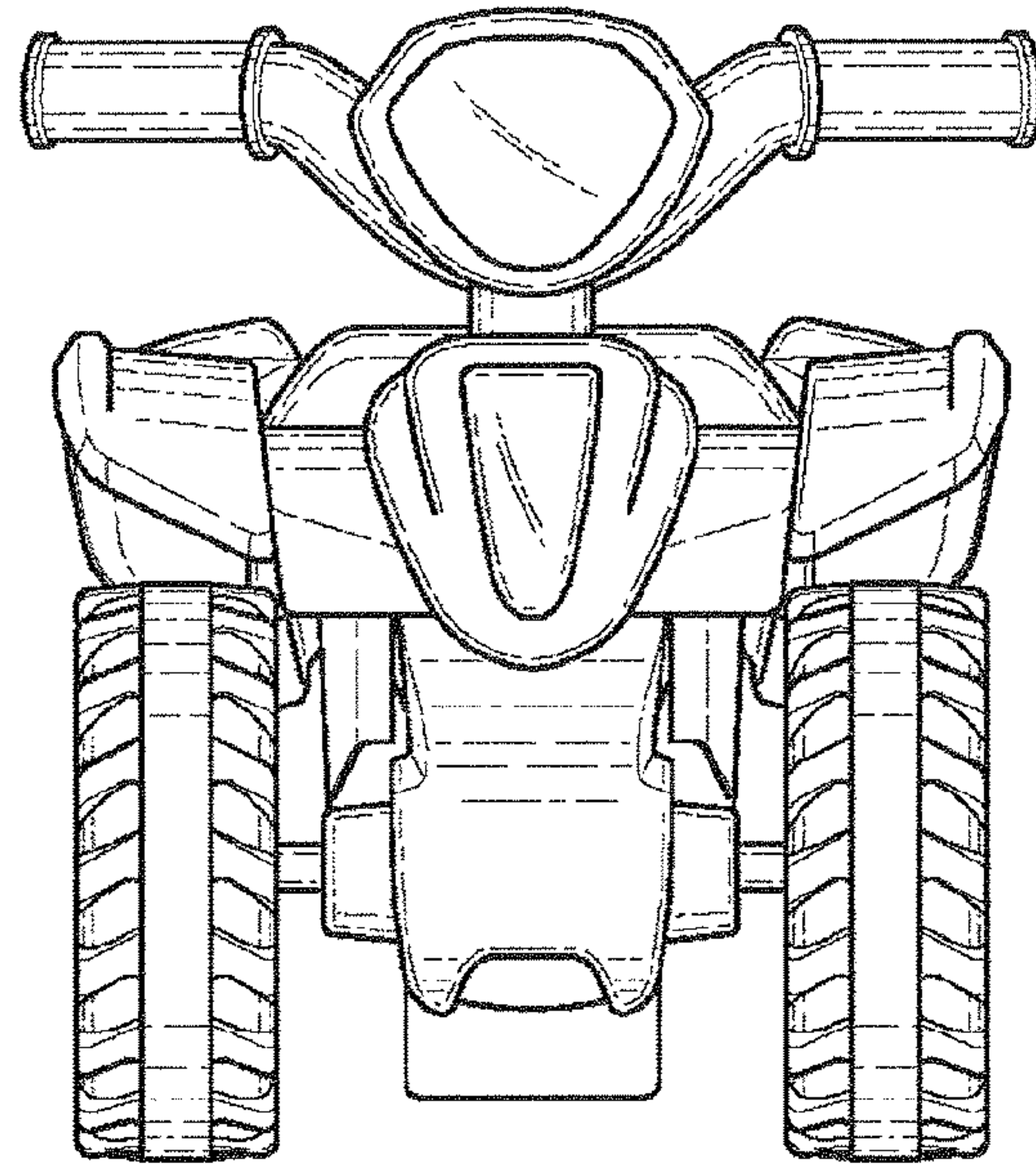


FIG. 3

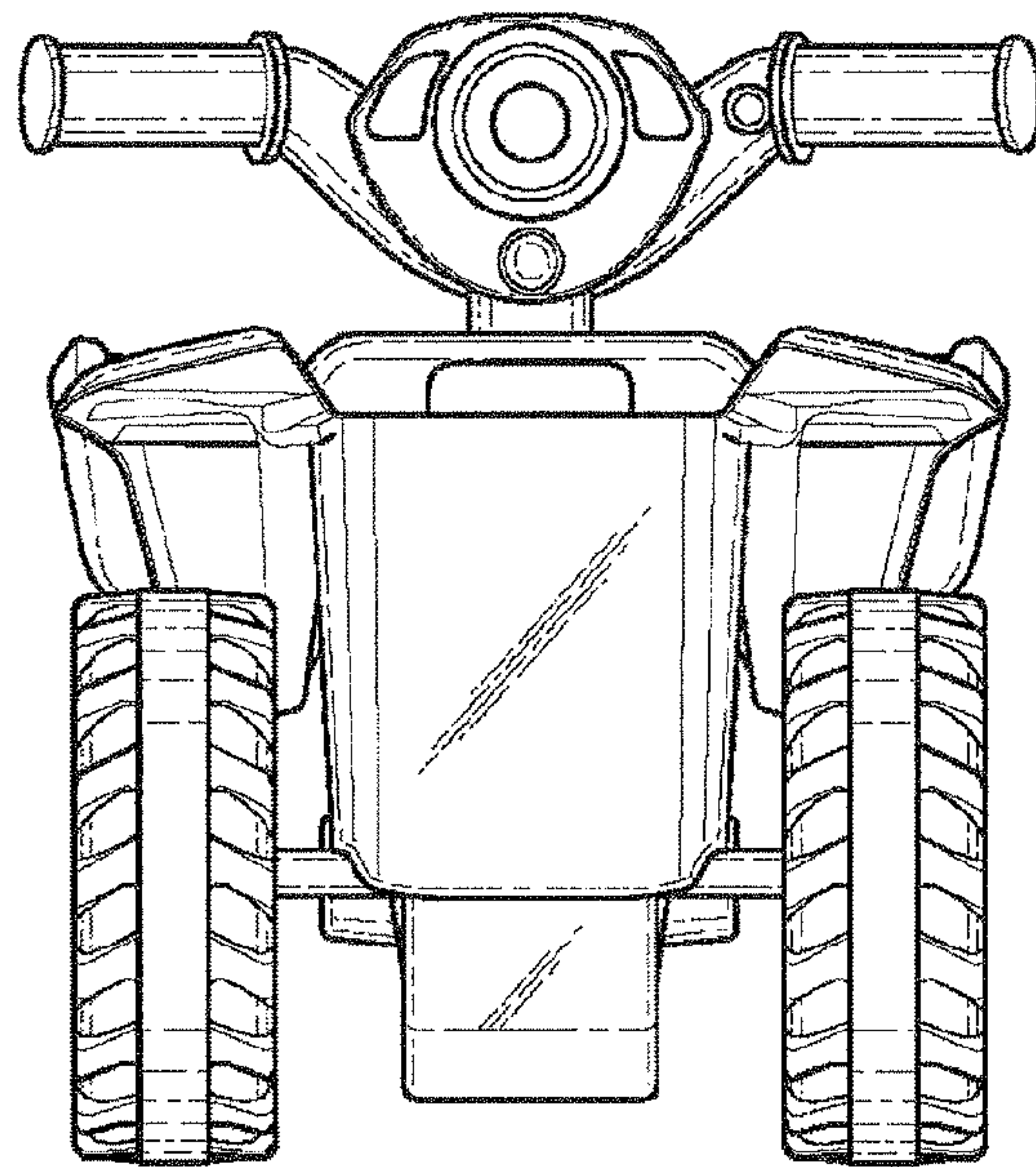


FIG. 4

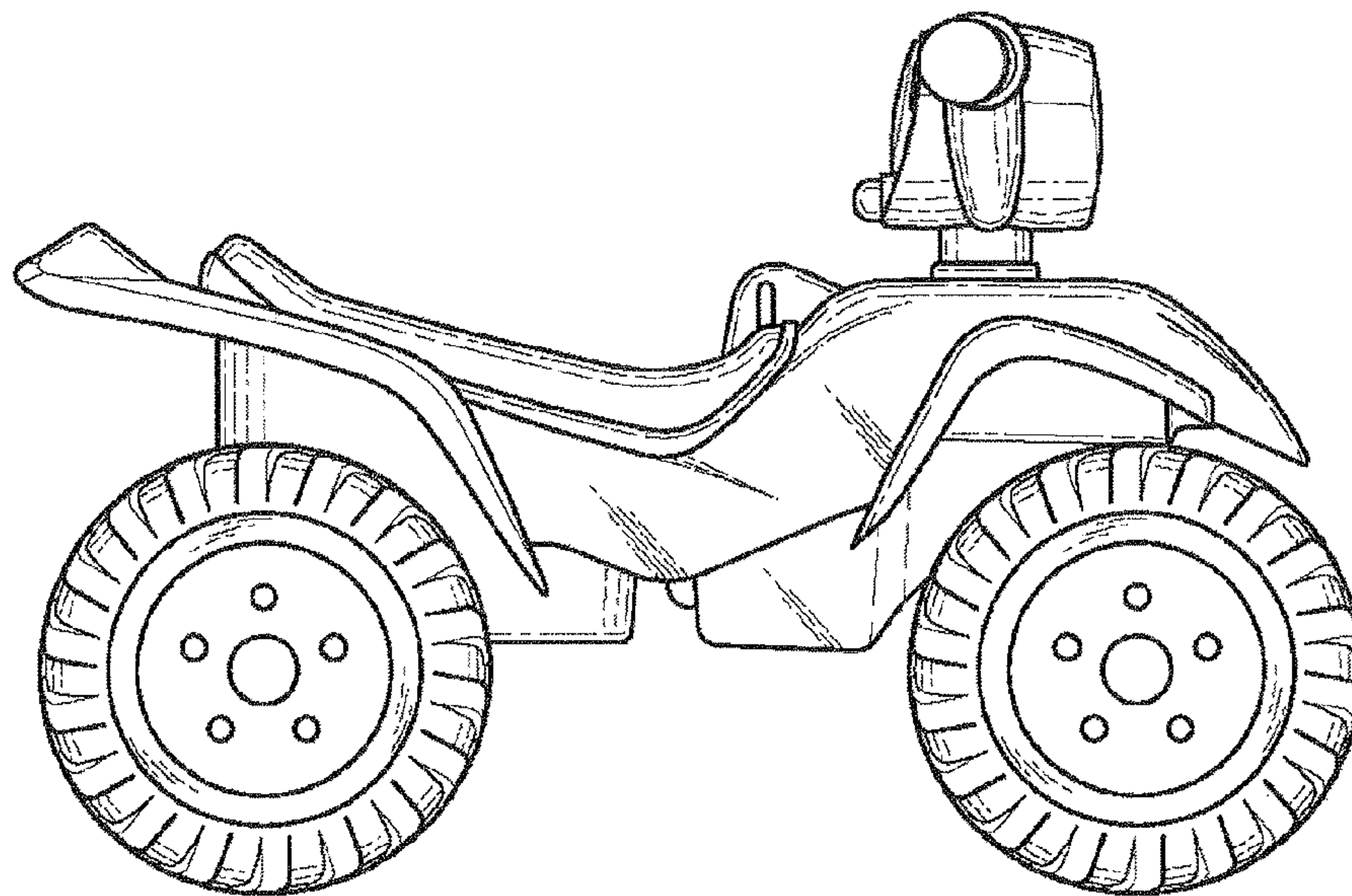


FIG. 5

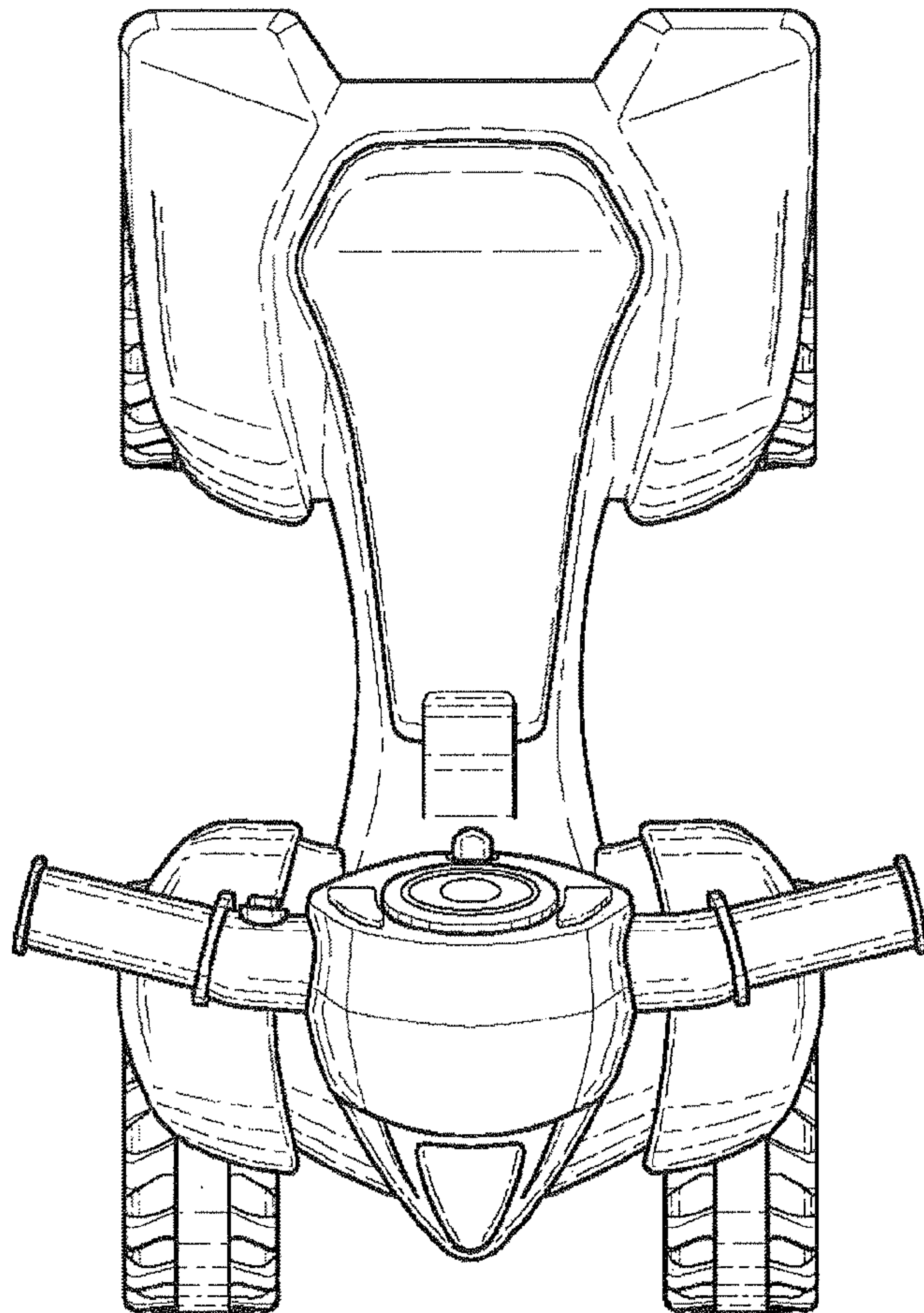


FIG. 6

