



US00D656560S

(12) **United States Design Patent**  
**Patterson et al.**

(10) **Patent No.:** **US D656,560 S**  
(45) **Date of Patent:** **\*\* Mar. 27, 2012**

(54) **MOTORIZED SCOOTER**

(76) Inventors: **Wayne Patterson**, Oakland, CA (US);  
**Johnny Liao**, Irvine, CA (US)

(\*\*) Term: **14 Years**

(21) Appl. No.: **29/389,588**

(22) Filed: **Apr. 13, 2011**

(51) **LOC (9) Cl.** ..... **21-01**

(52) **U.S. Cl.** ..... **D21/423**

(58) **Field of Classification Search** ..... D21/419,  
D21/421, 423, 426-428, 435, 668-671, 760,  
D21/765, 771; D12/1, 8, 108, 112, 113;  
280/8, 14.21, 14.25, 14.26, 87.041, 87.042,  
280/200, 214, 220, 221, 239, 263, 288.1,  
280/288.2, 288.4, 809; 180/180, 181, 227,  
180/228

See application file for complete search history.

(56) **References Cited**

**U.S. PATENT DOCUMENTS**

D330,394 S \* 10/1992 Cohen ..... D12/110  
6,095,274 A \* 8/2000 Patmont ..... 180/181  
D433,718 S \* 11/2000 McGreen ..... D21/423  
6,338,393 B1 \* 1/2002 Martin ..... 180/227

D456,460 S \* 4/2002 Tseng ..... D21/423  
D478,359 S \* 8/2003 Nellmapius ..... D21/423  
D492,367 S \* 6/2004 Dennis ..... D21/423  
D516,132 S \* 2/2006 Sramek ..... D21/423  
D557,751 S \* 12/2007 On ..... D21/423  
D565,670 S \* 4/2008 Henry ..... D21/423  
D569,447 S \* 5/2008 Thomas ..... D21/423

\* cited by examiner

*Primary Examiner* — Cynthia M Chin

(74) *Attorney, Agent, or Firm* — Holland & Hart LLP

(57) **CLAIM**

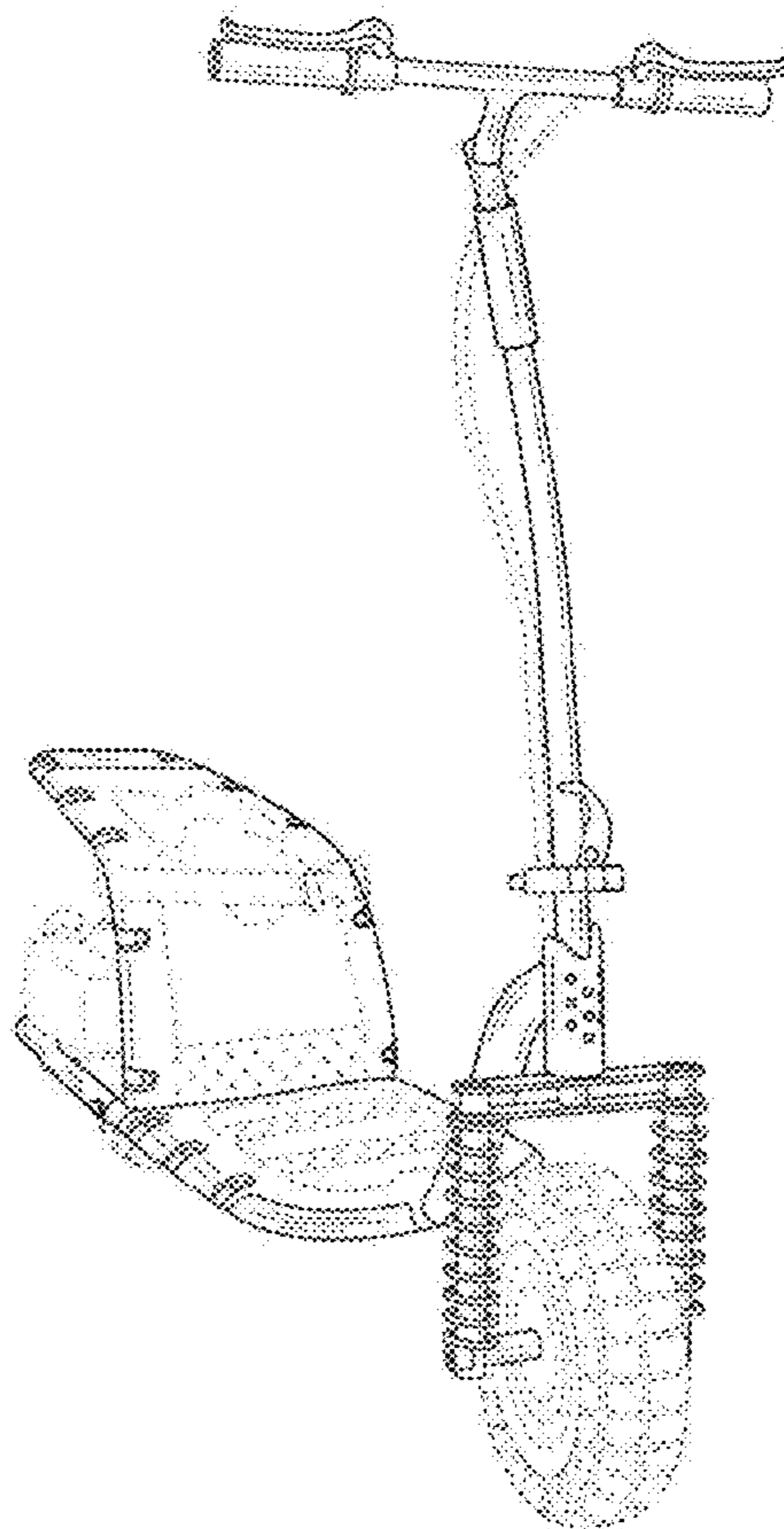
The ornamental design for a motorized scooter, as shown and described.

**DESCRIPTION**

FIG. 1 is a front perspective view of the motorized scooter;  
FIG. 2 is a left side view of the motorized scooter;  
FIG. 3 is a right side view of the motorized scooter;  
FIG. 4 is a front view of the motorized scooter;  
FIG. 5 is a back view of the motorized scooter;  
FIG. 6 is a top view of the motorized scooter; and,  
FIG. 7 is a bottom view of the motorized scooter.

The broken lines represent portions of the article that form no part of the claim.

**1 Claim, 7 Drawing Sheets**



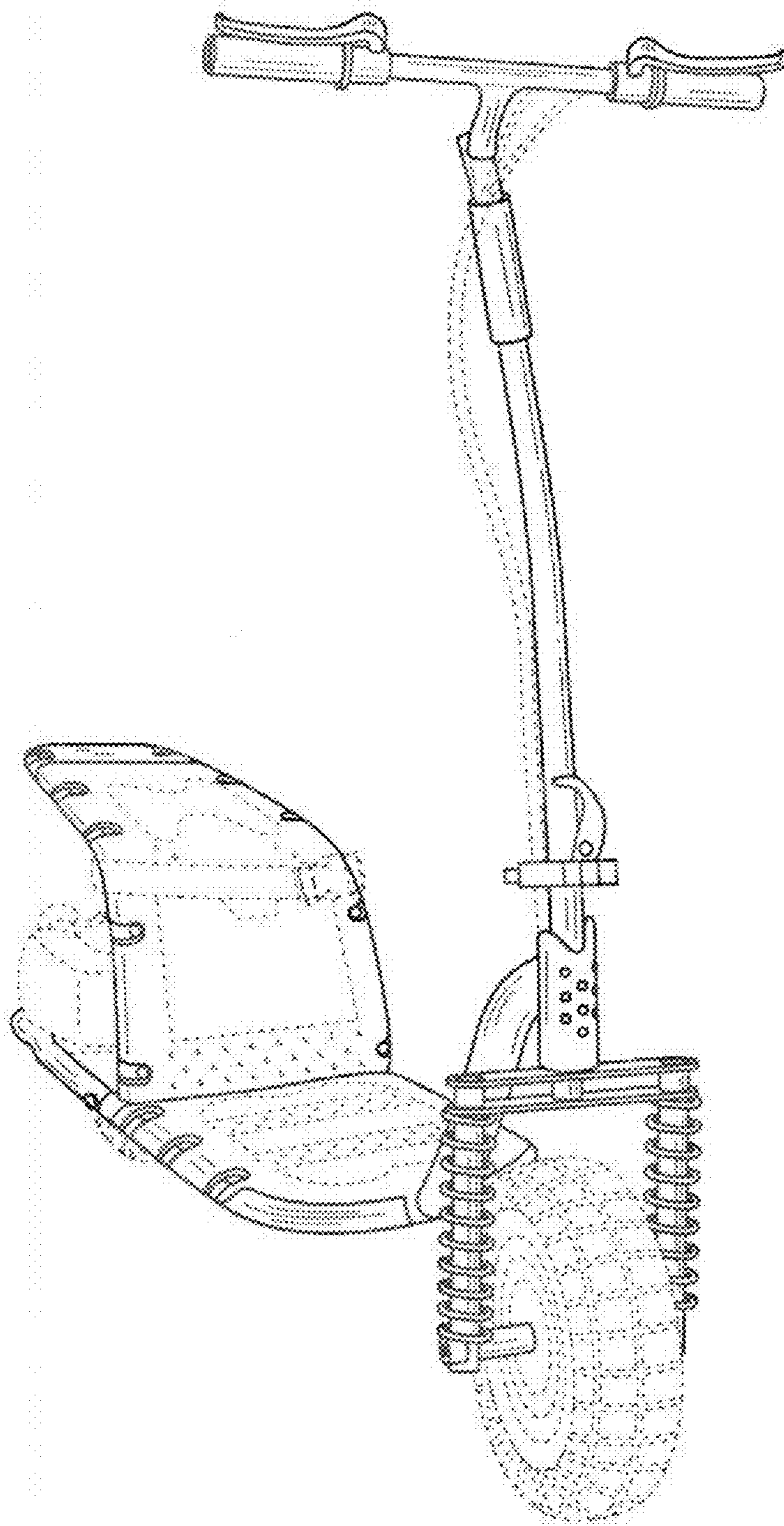


FIG. 1

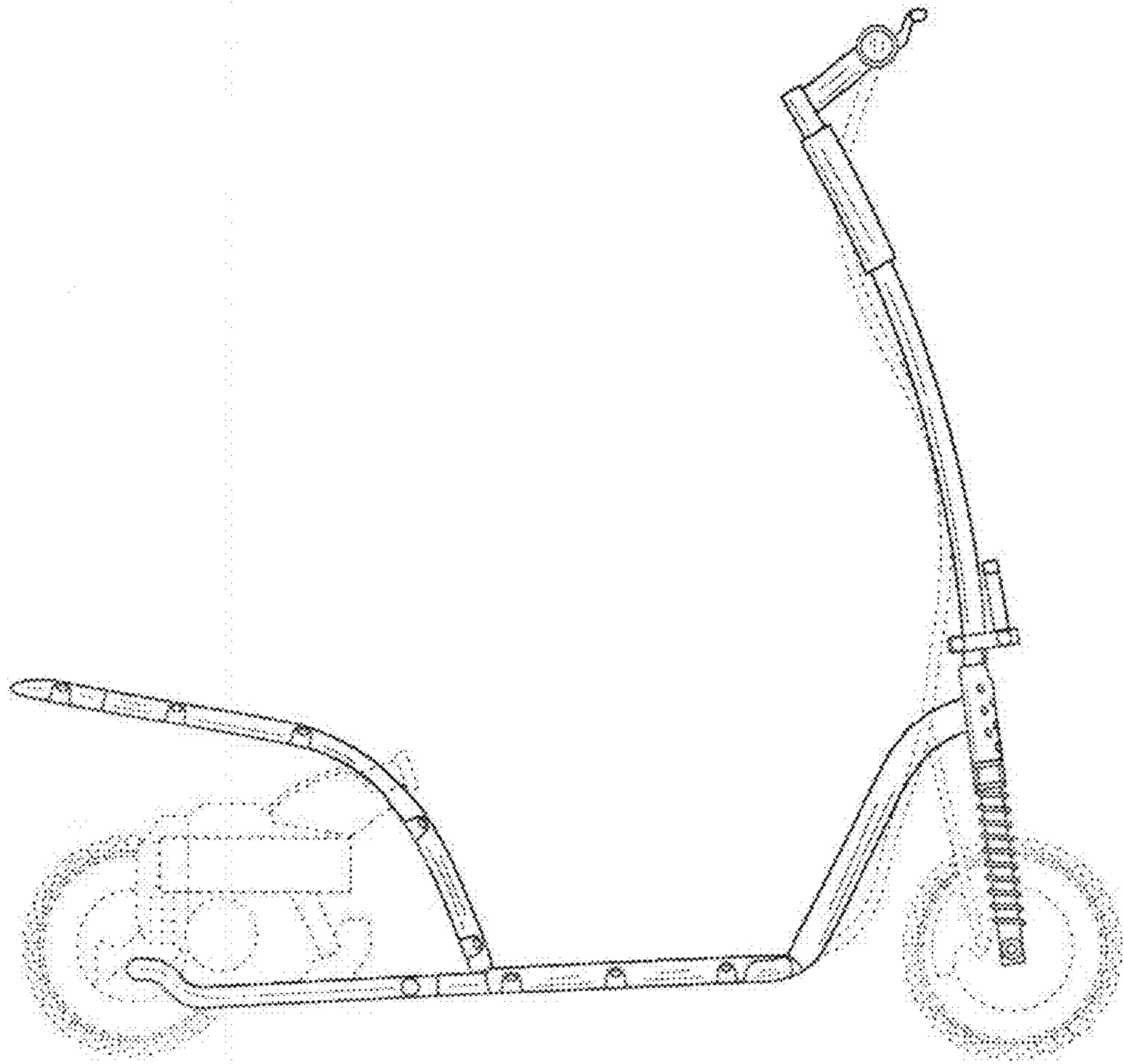


FIG.2

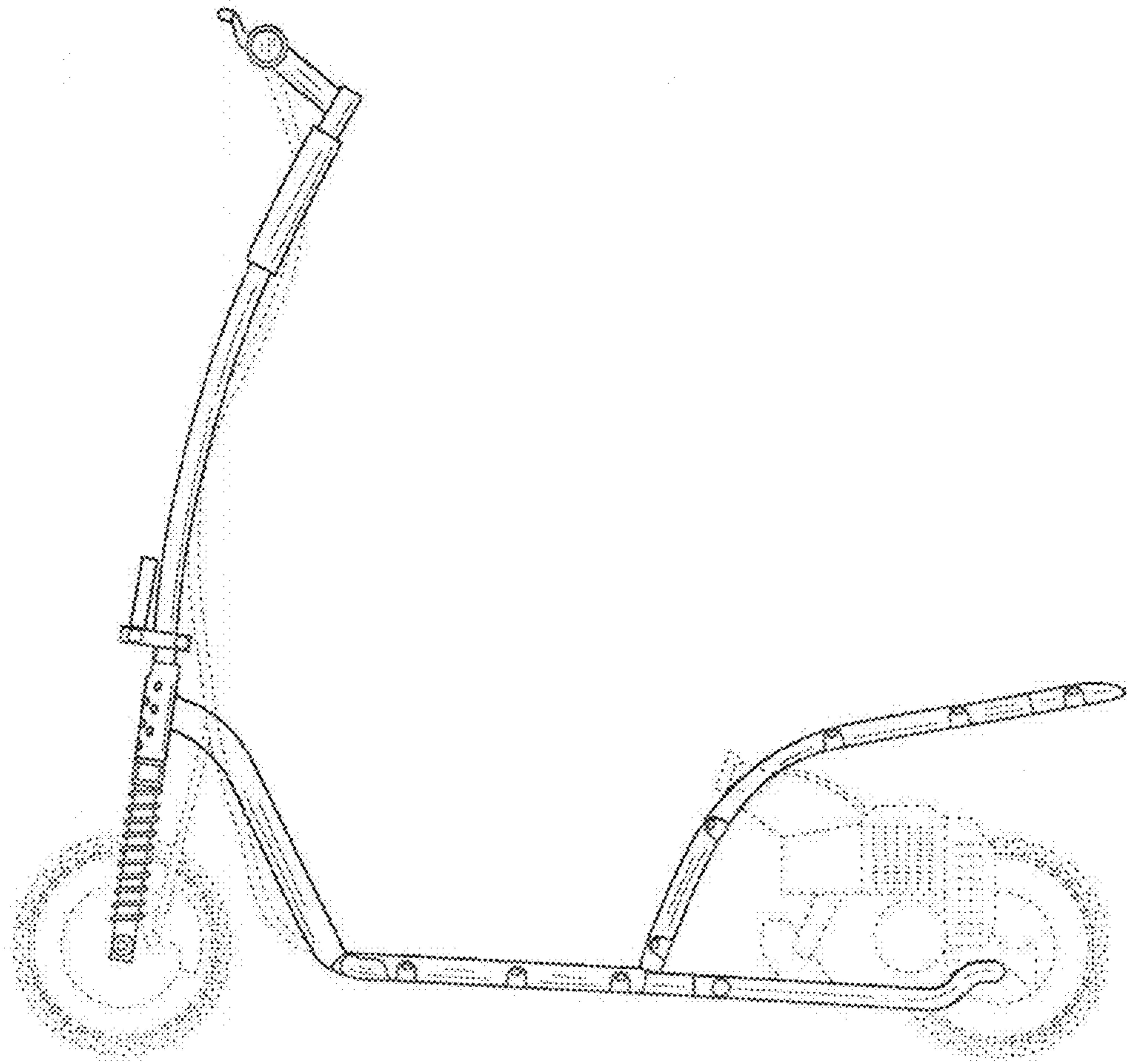


FIG.3

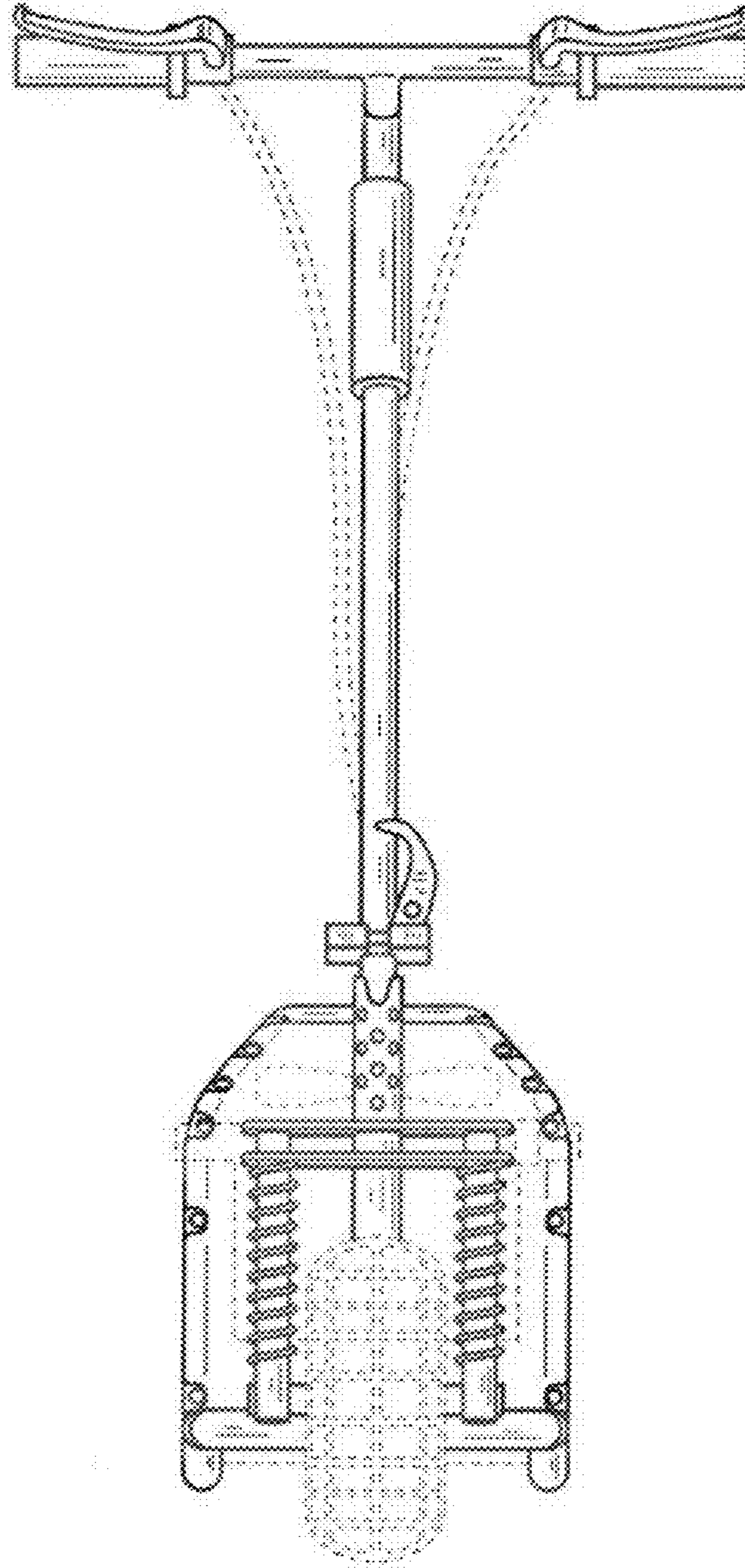


FIG. 4

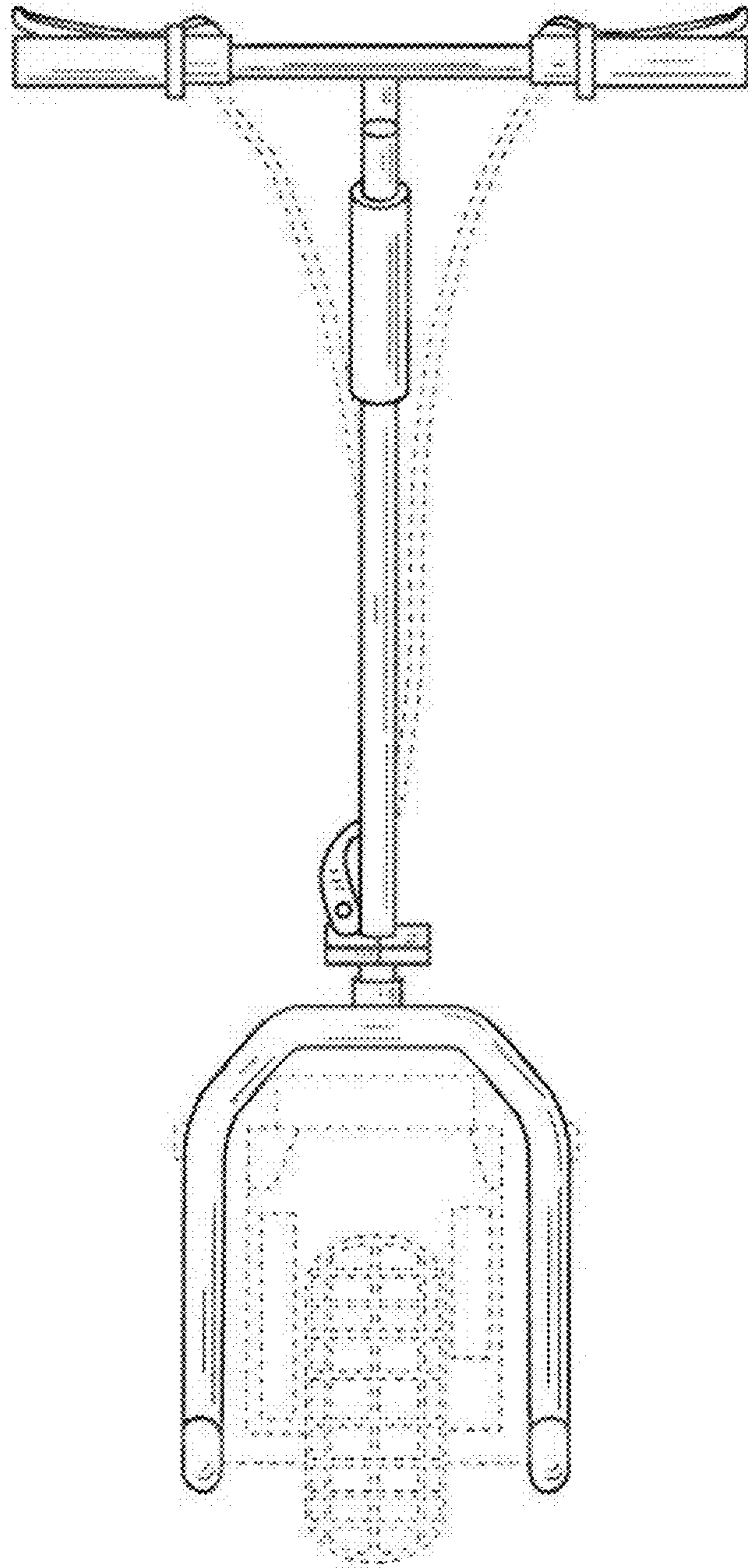


FIG. 5

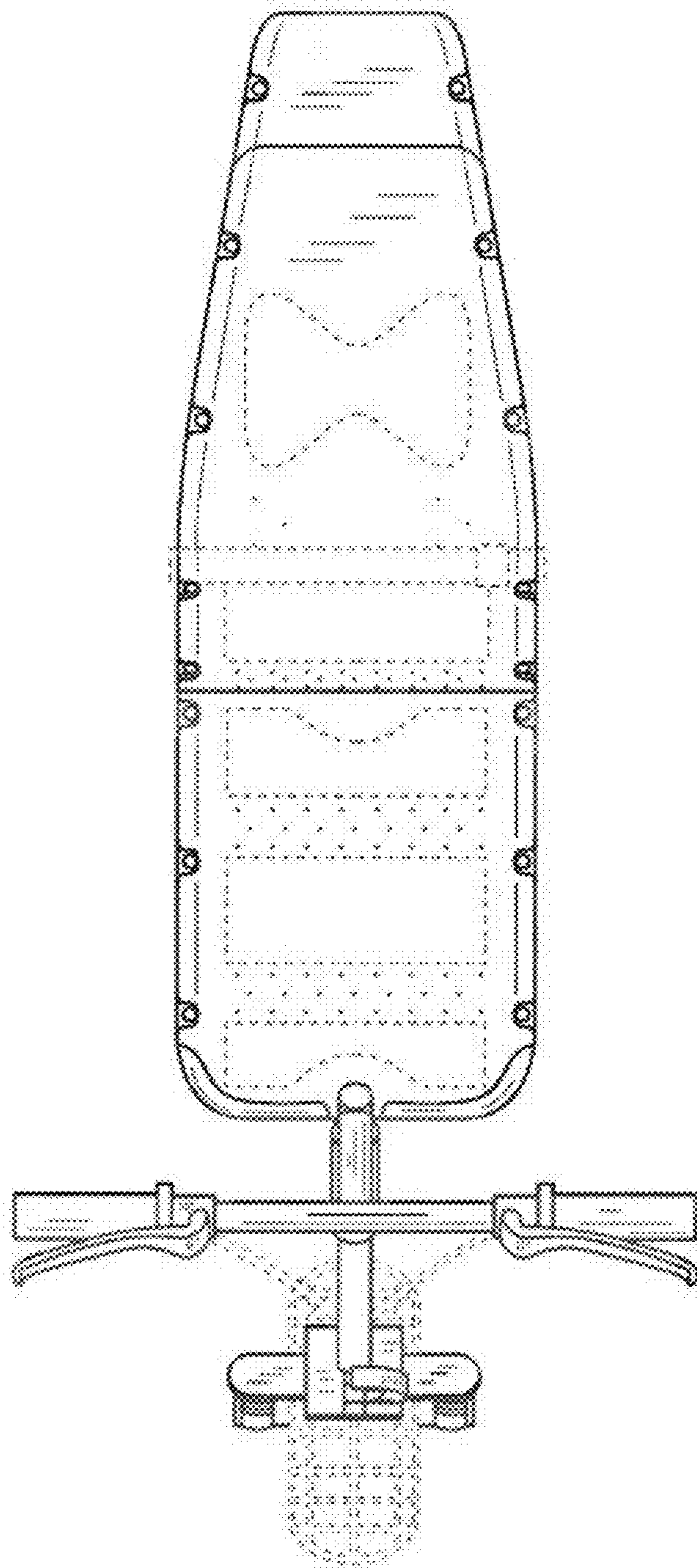


FIG. 6

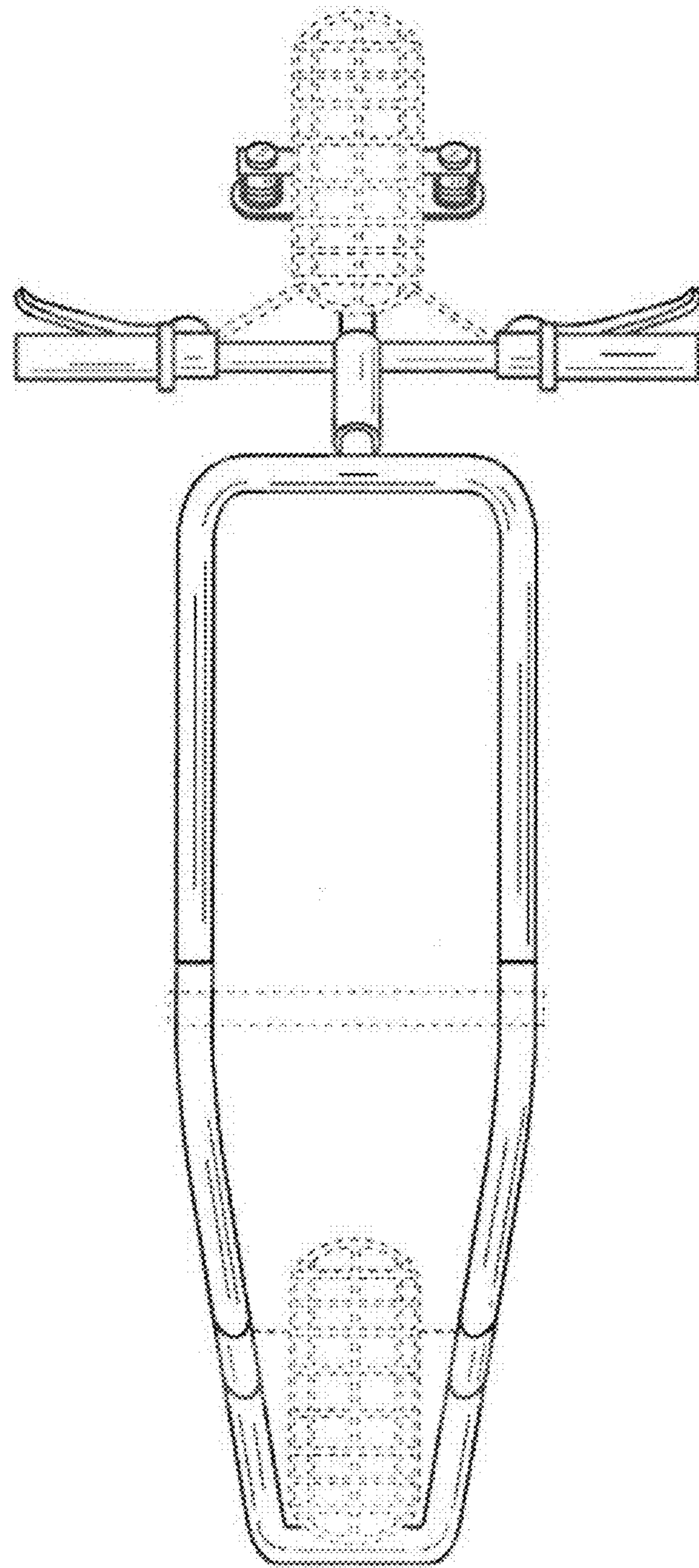


FIG. 7