



US00D656558S

(12) **United States Design Patent**
Fuchs

(10) **Patent No.:** **US D656,558 S**
(45) **Date of Patent:** **** Mar. 27, 2012**

(54) **CUBE STRATEGY GAME**

(76) Inventor: **Mark Fuchs**, Mequon, WI (US)

(**) Term: **14 Years**

(21) Appl. No.: **29/385,367**

(22) Filed: **Feb. 11, 2011**

(51) **LOC (9) Cl.** **21-01**

(52) **U.S. Cl.** **D21/337; D21/386**

(58) **Field of Classification Search** D21/342–369,
D21/386, 484, 486, 499–500; 273/236–288,
273/156, 450

See application file for complete search history.

(56) **References Cited**

U.S. PATENT DOCUMENTS

3,672,681 A 6/1972 Wolf
(Continued)

OTHER PUBLICATIONS

Bedlam Cube Game, http://www.gizmodiva.com/other_stuff/bedlam_cube_game_is_addictive_and_fun.php.

Primary Examiner — Sandra Morris

(74) *Attorney, Agent, or Firm* — Absolute Technology Law Group, LLC

(57) **CLAIM**

The ornamental design for a cube strategy game, as shown and described.

DESCRIPTION

FIG. 1 is a top plan view of a cube strategy game showing my new design, with the game pieces shown removed;

FIG. 2 is a front elevational view thereof, the back, right side, and left side being mirror images;

FIG. 3 is a perspective view of a game piece, with the game board shown removed;

FIG. 4 is a top elevational view thereof, the bottom being a mirror image;

FIG. 5 is a perspective view of a second game piece of a first set of game pieces;

FIG. 6 is a top elevational view thereof, the bottom being a mirror image;

FIG. 7 is a perspective view of a third game piece of a first set of game pieces;

FIG. 8 is a top elevational view thereof, the bottom being a mirror image;

FIG. 9 is a perspective view of a fourth game piece of a first set of game pieces;

FIG. 10 is a top elevational view thereof, the bottom being a mirror image;

FIG. 11 is a perspective view of a fifth game piece of a first set of game pieces;

FIG. 12 is a top elevational view thereof, the bottom being a mirror image;

FIG. 13 is a perspective view of a sixth game piece of a first set of game pieces;

FIG. 14 is a top elevational view thereof, the bottom being a mirror image;

FIG. 15 is a perspective view of a seventh game piece of a first set of game pieces;

FIG. 16 is a top elevational view thereof, the bottom being a mirror image;

FIG. 17 is a perspective view of an eighth game piece of a first set of game pieces;

FIG. 18 is a top elevational view thereof, the bottom being a mirror image; and,

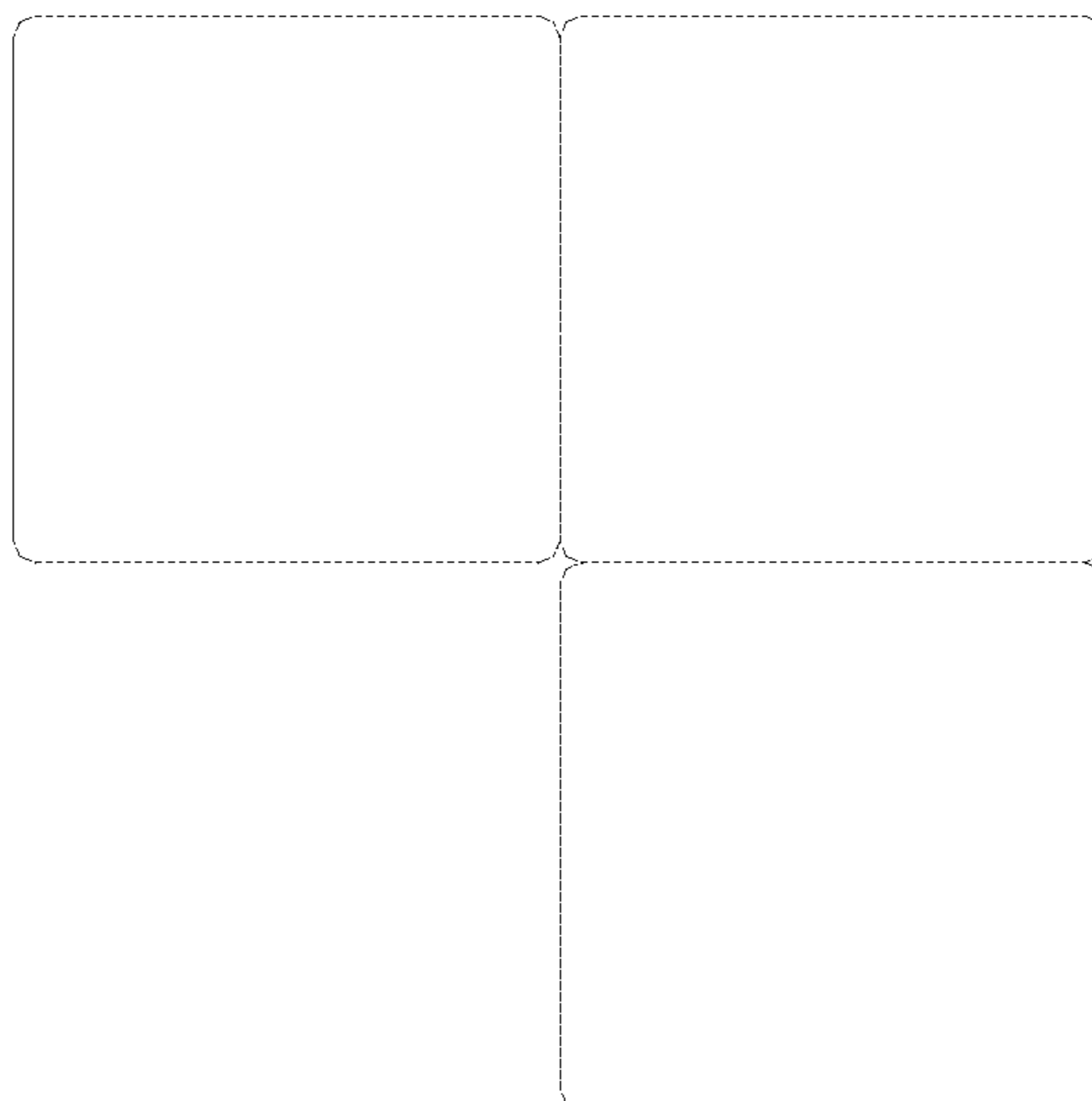
FIG. 19 is a perspective view of a cube strategy game, shown with the game pieces.

The game board includes a plain and unornamented bottom, which is not shown.

The colors of the game pieces are not limited to those specifically indicated in the drawings.

The text in FIG. 1 is shown in broken lines for illustrative purposes only and forms no part of the claimed design.

1 Claim, 10 Drawing Sheets



US D656,558 S

Page 2

U.S. PATENT DOCUMENTS									
3,692,310	A *	9/1972	Martin	273/241	6,679,496	B2 *	1/2004	Grebler et al.	273/290
D268,353	S *	3/1983	Pilipski	D21/336	6,857,633	B1 *	2/2005	Mackey	273/156
D299,933	S *	2/1989	Shalaon	D21/336	7,040,621	B2	5/2006	Cheng	
5,393,063	A	2/1995	Ichimaru		7,140,612	B2	11/2006	Chen	
5,868,388	A	2/1999	Wood et al.		7,731,192	B1 *	6/2010	Marhefka	273/156
6,161,832	A *	12/2000	Holahan et al.	273/241	2005/0230910	A1	10/2005	Urriza	
6,648,330	B2	11/2003	Porter						

* cited by examiner

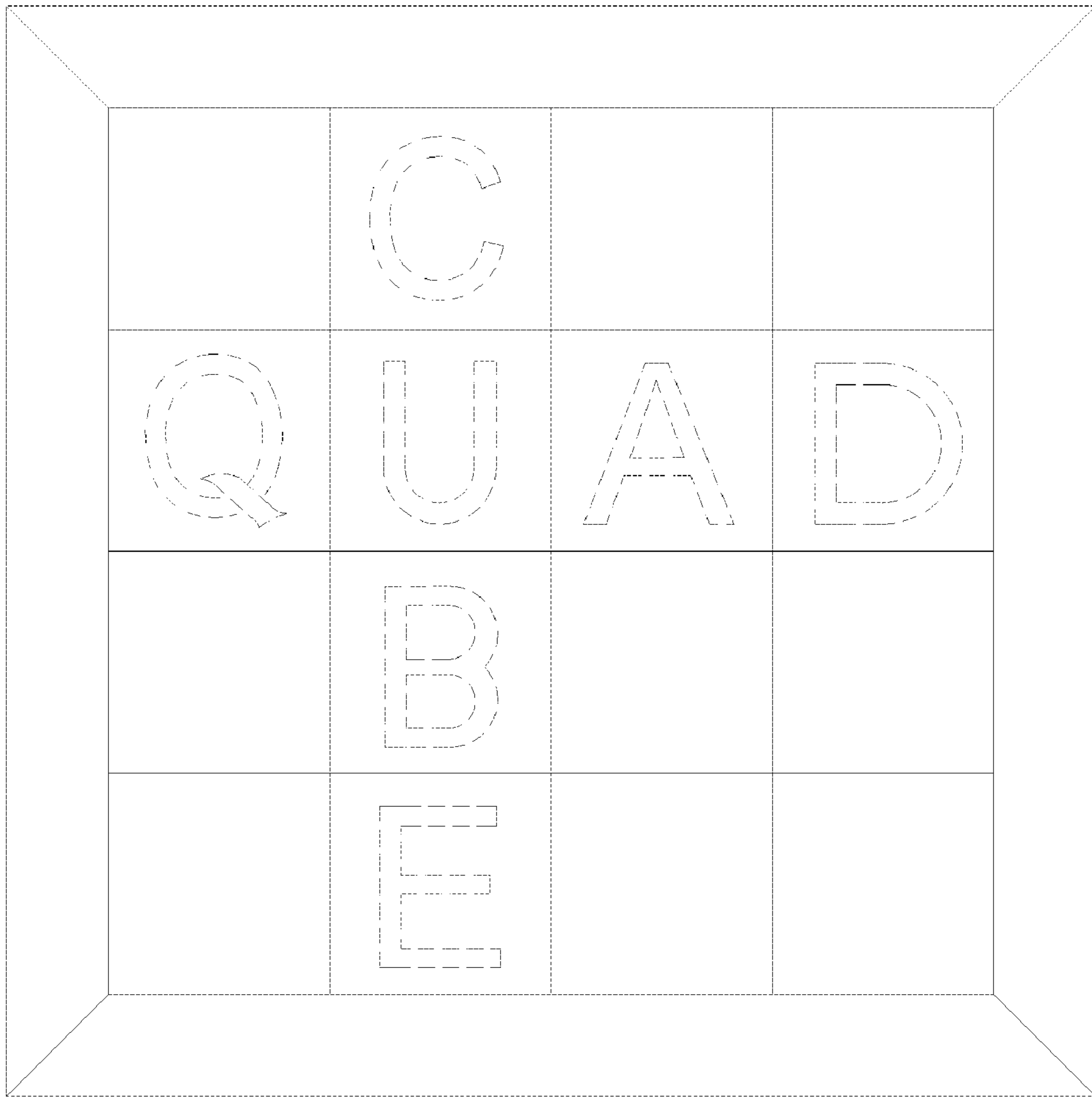


FIG. 1

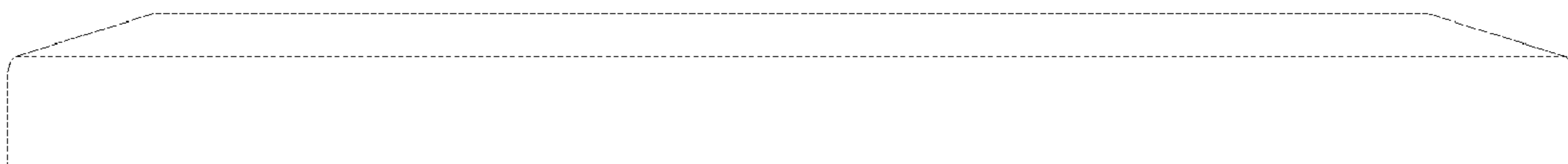


FIG. 2

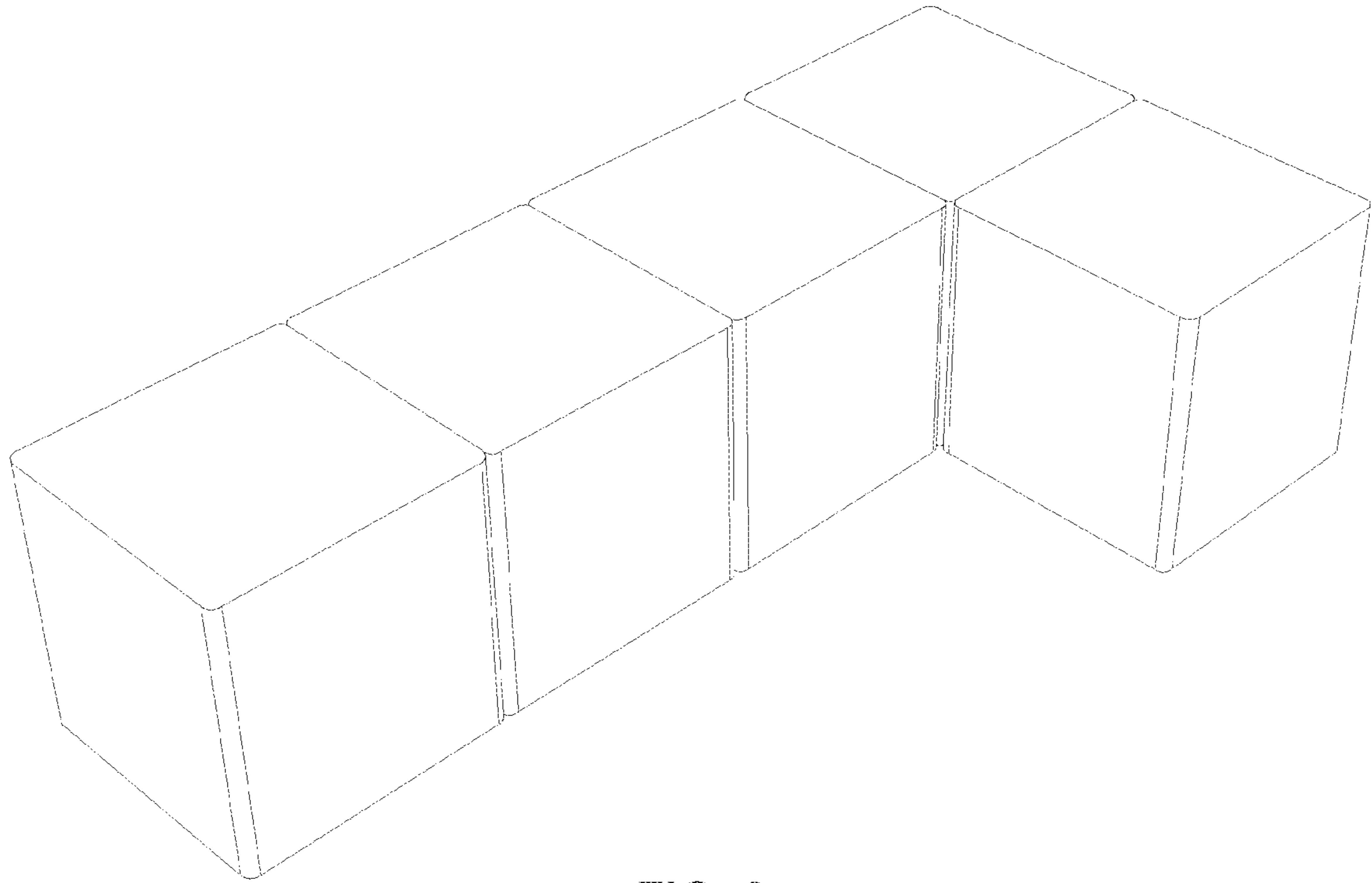


FIG. 3

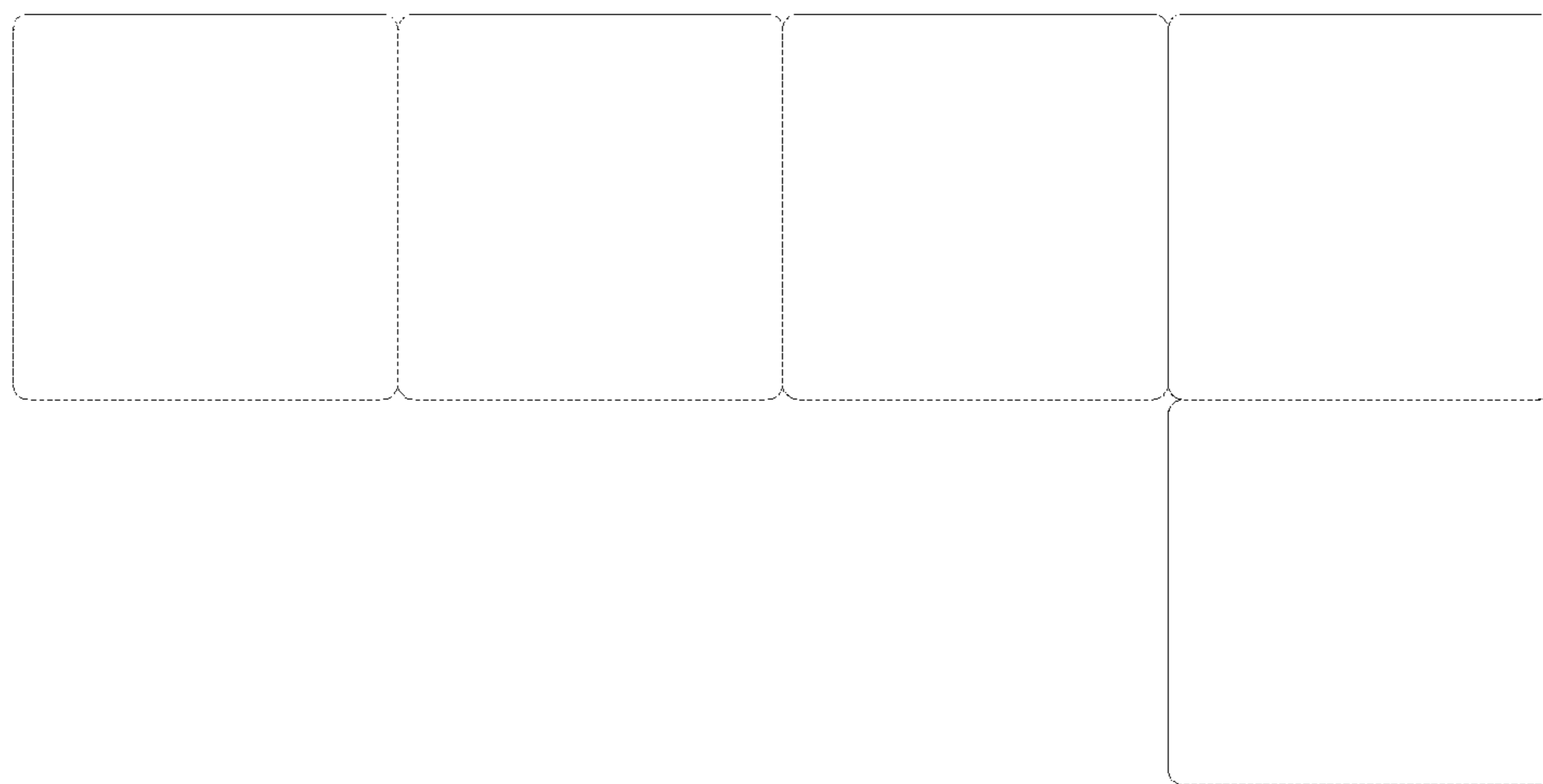


FIG. 4

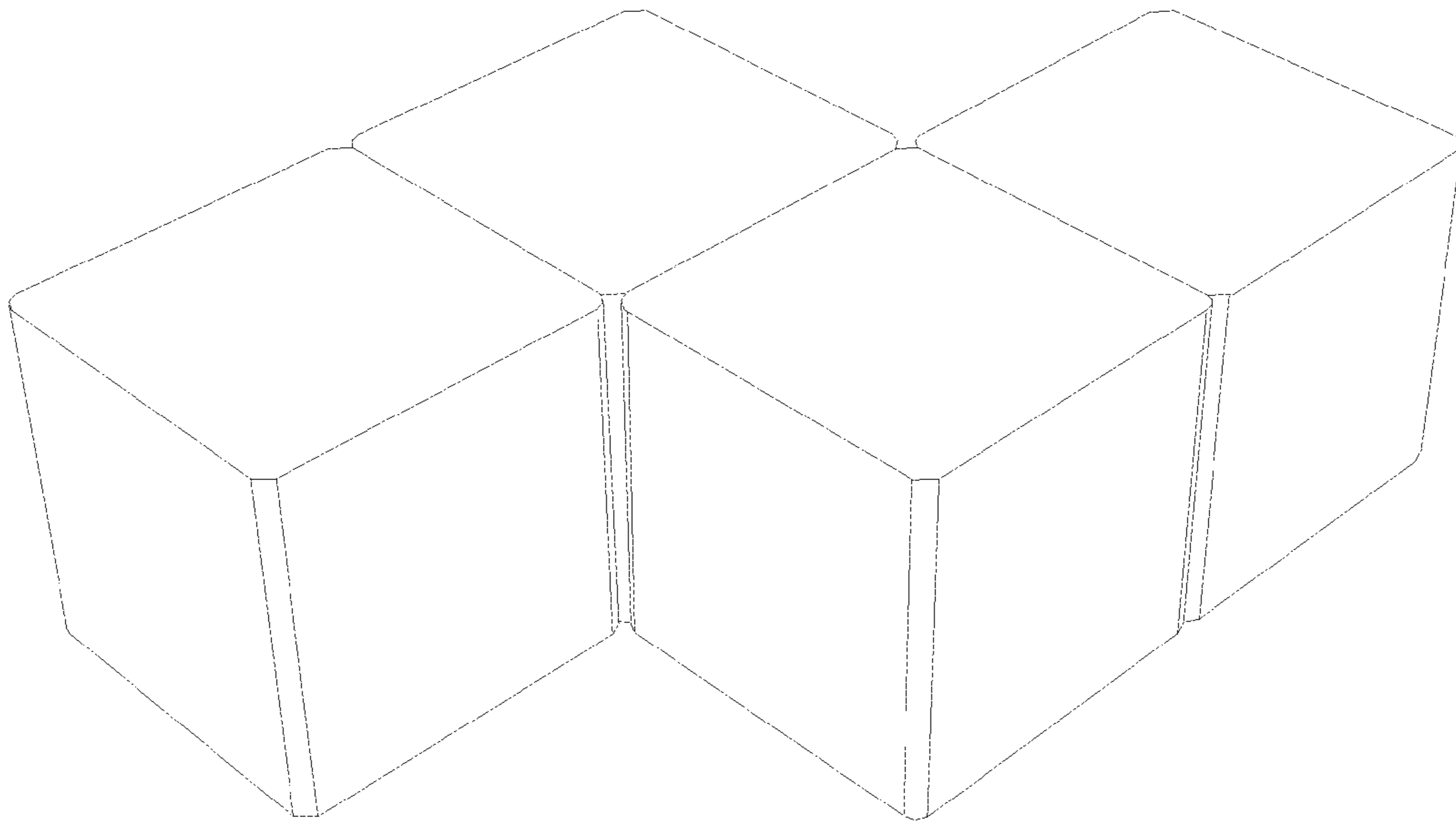


FIG. 5

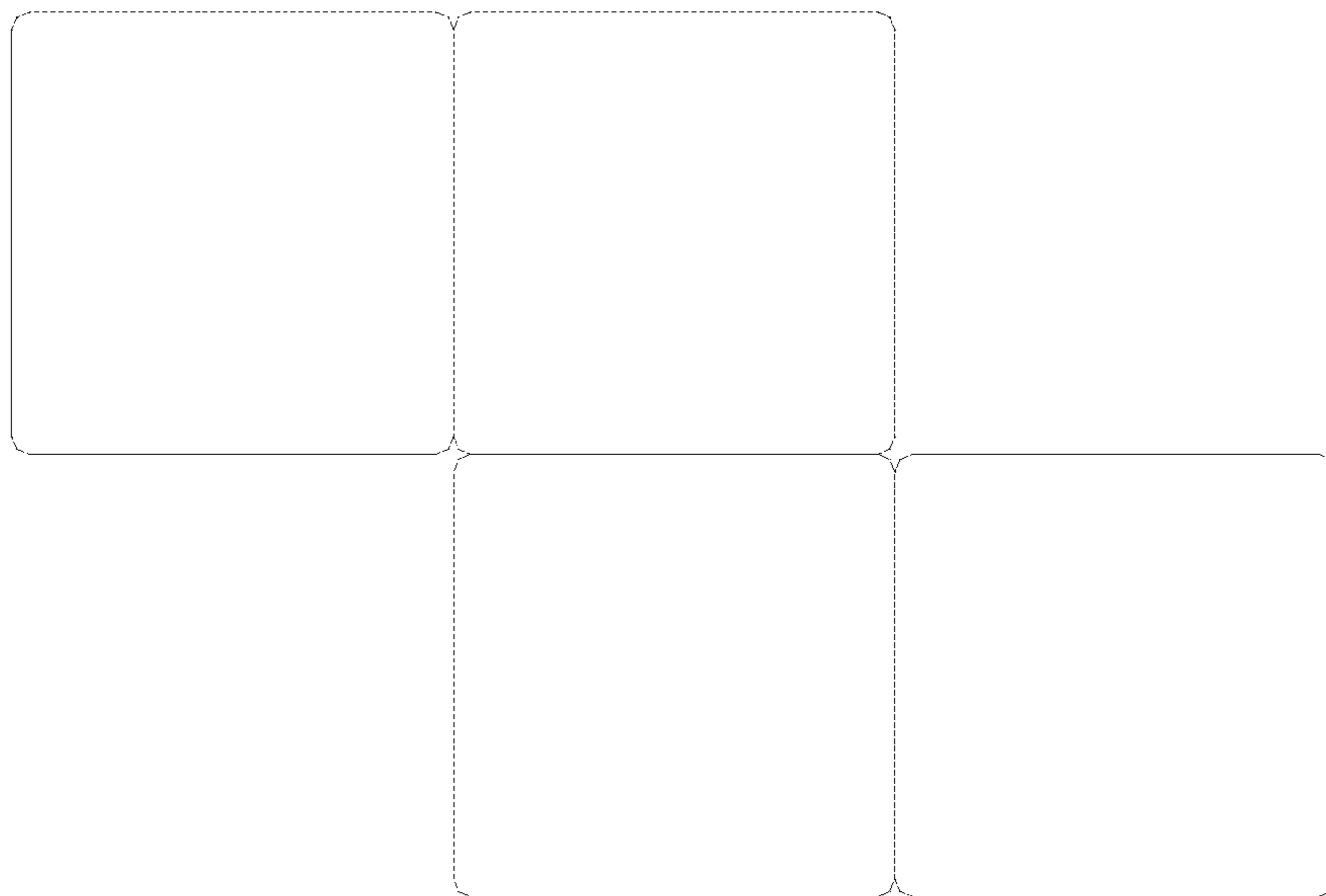


FIG. 6

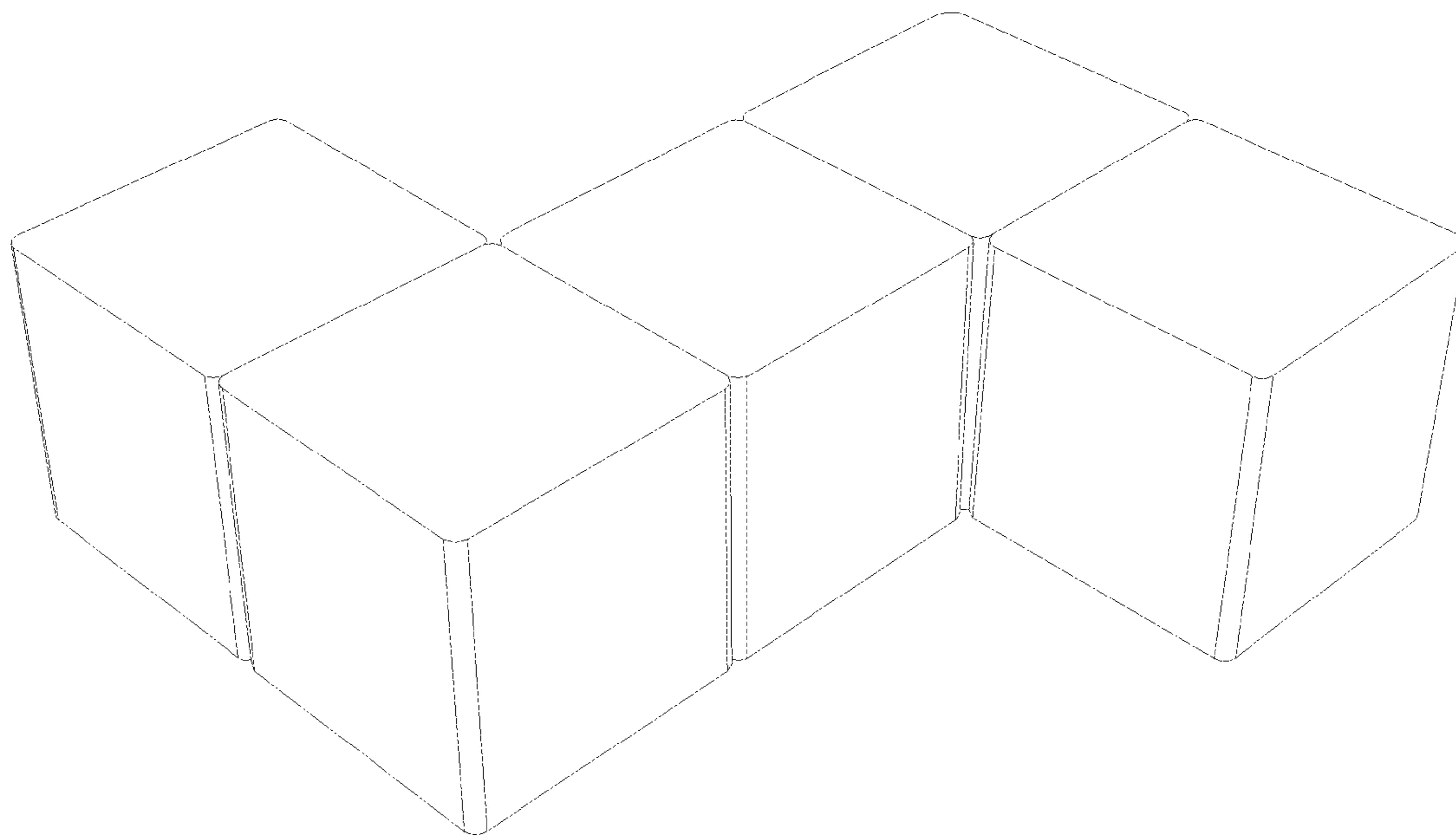


FIG. 7

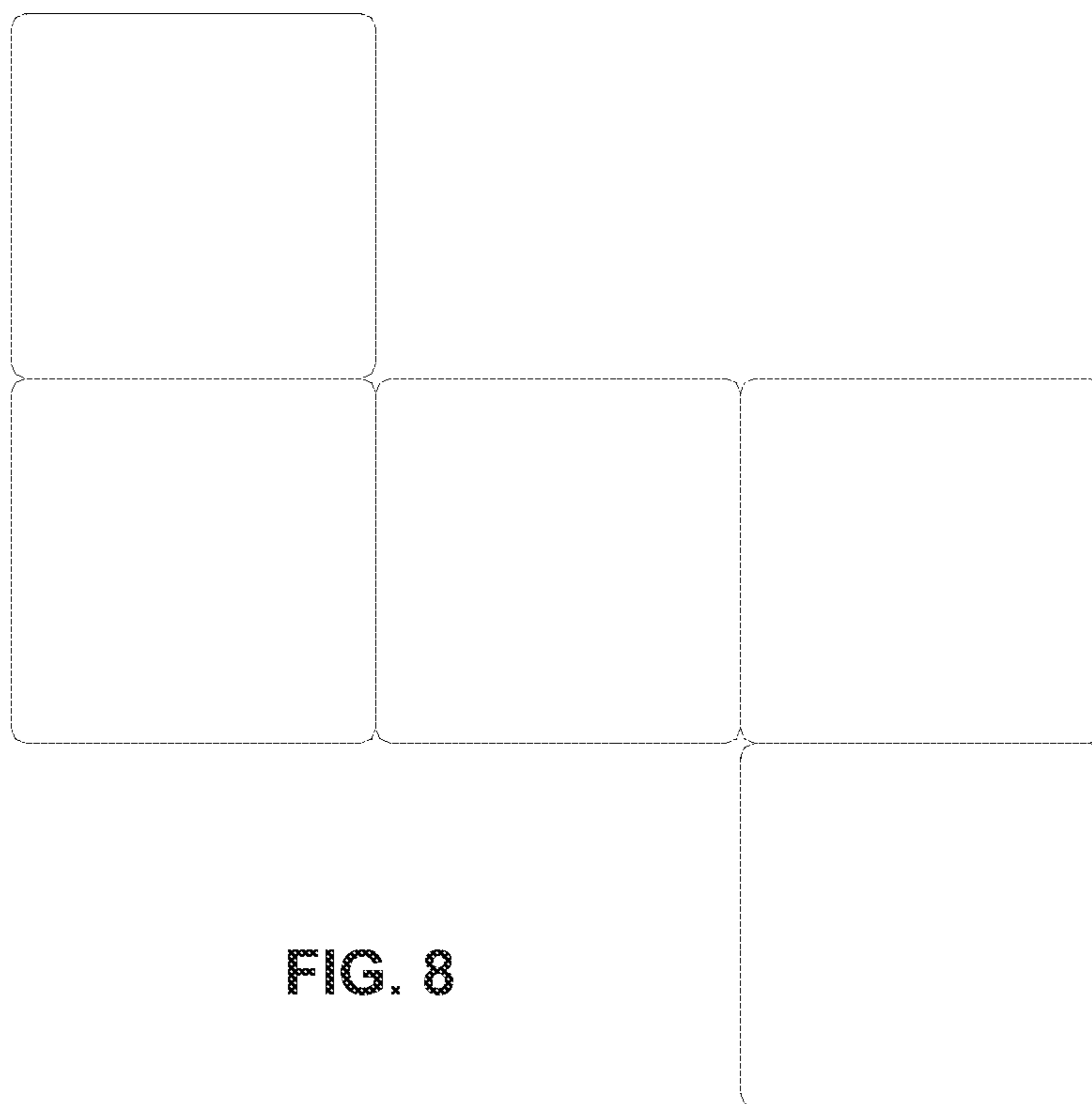


FIG. 8

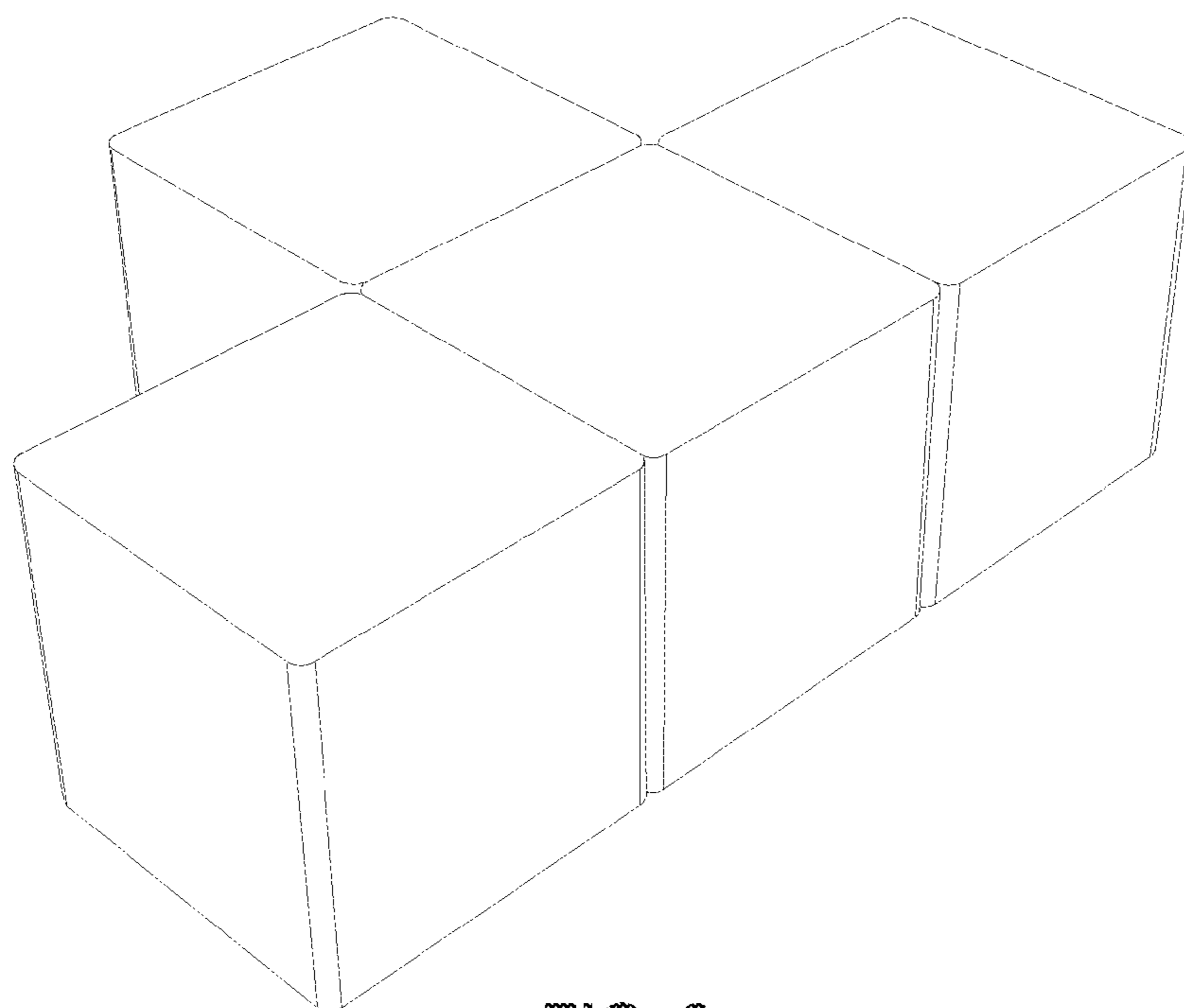


FIG. 9

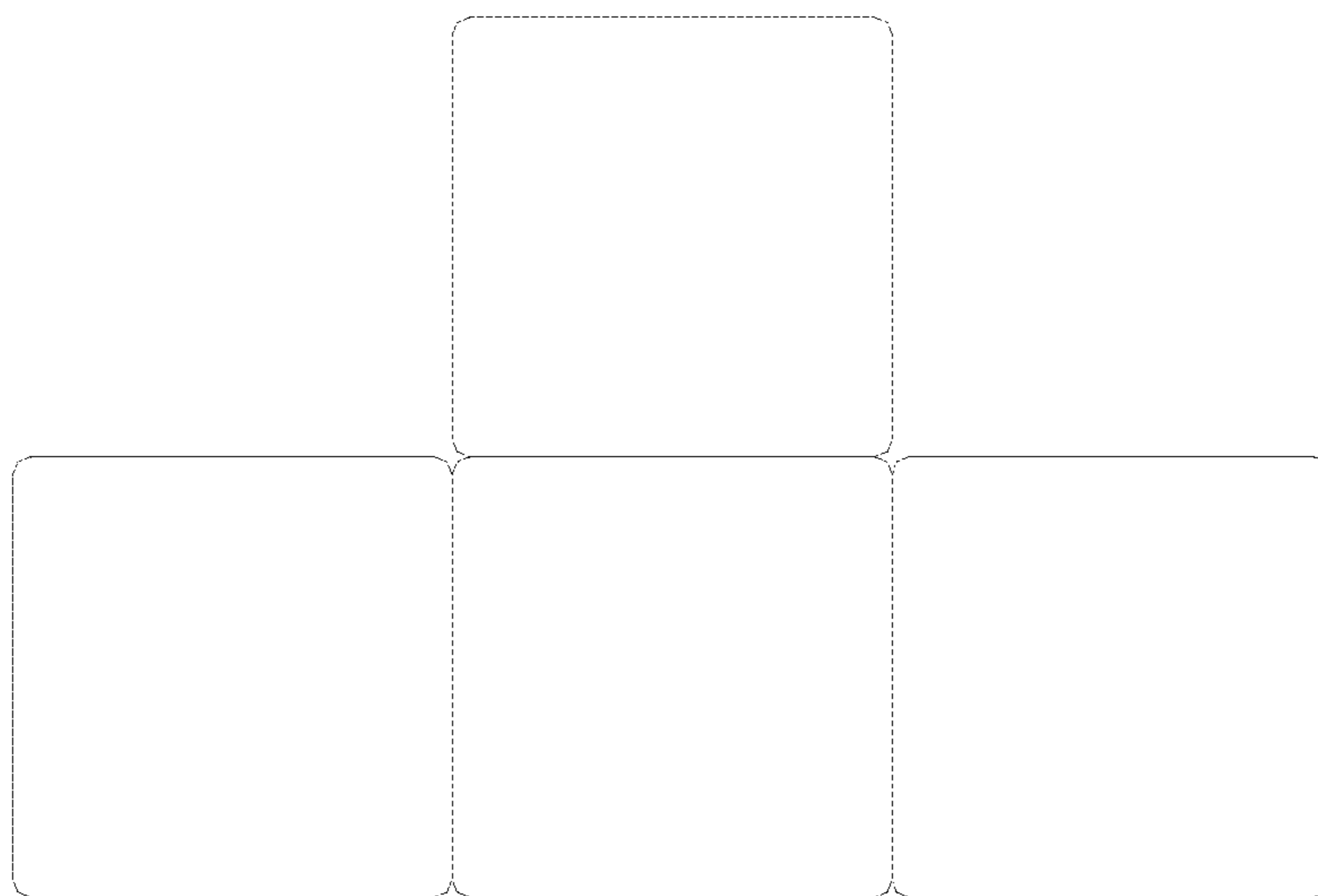


FIG. 10

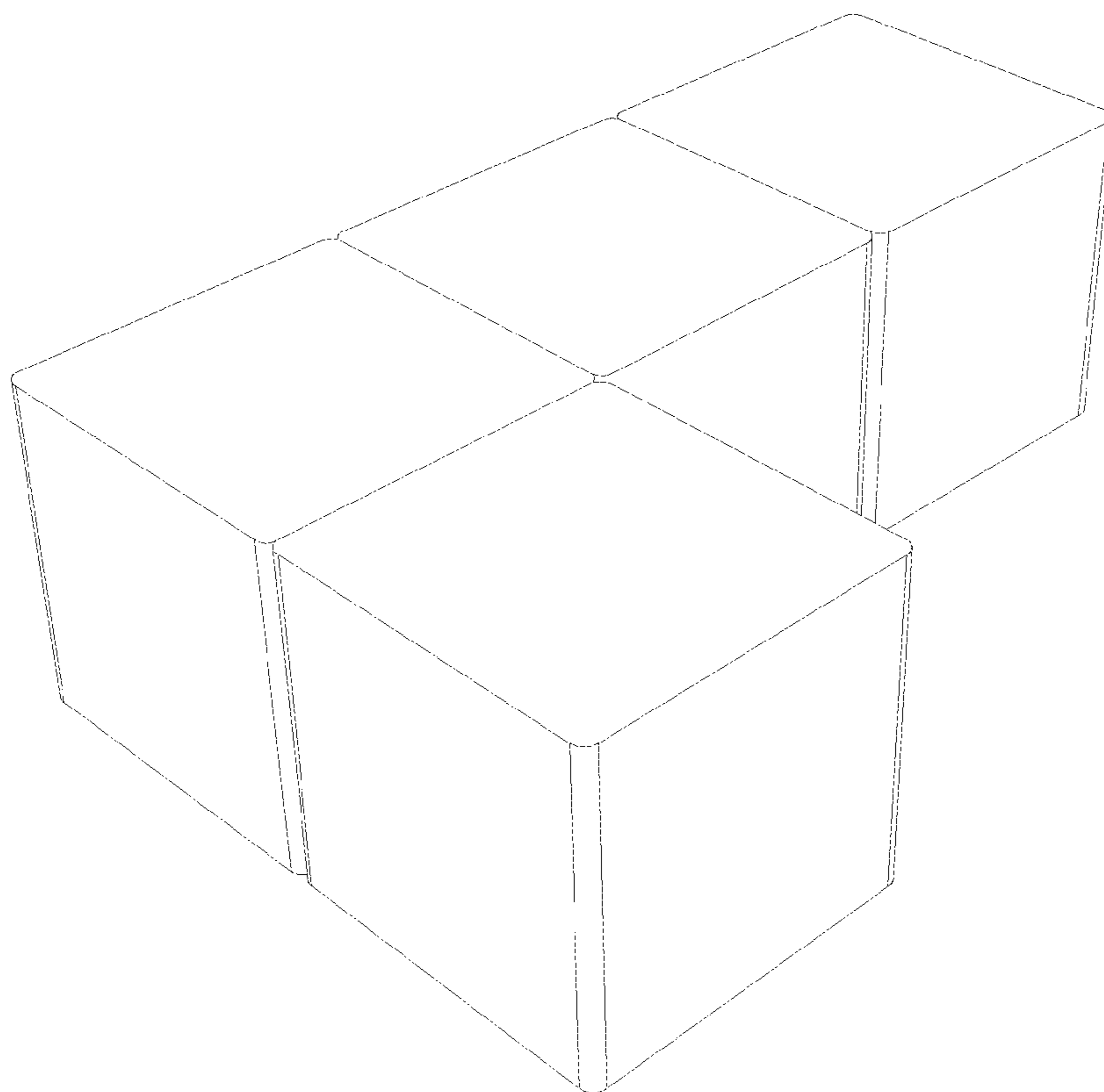


FIG. 11

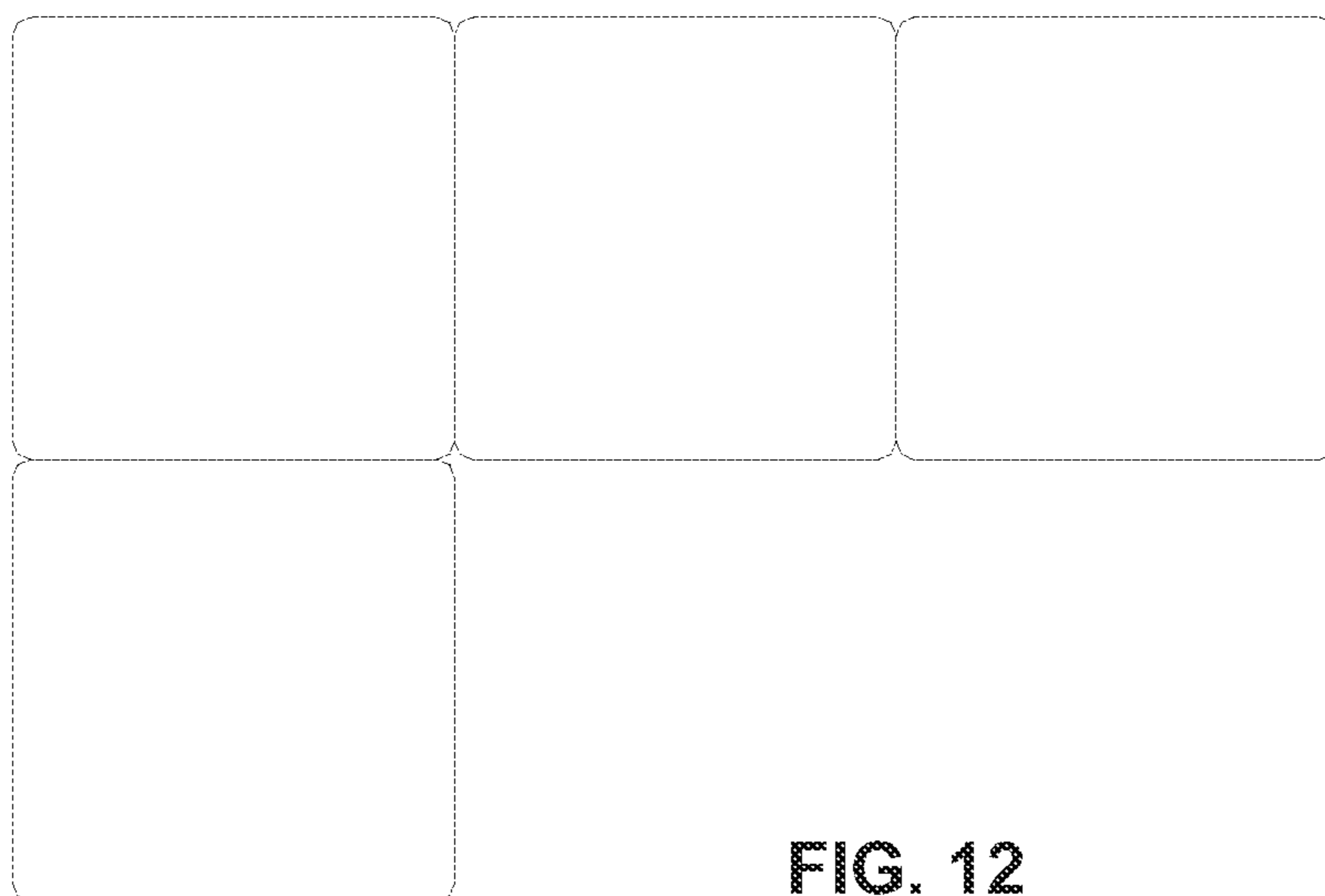


FIG. 12

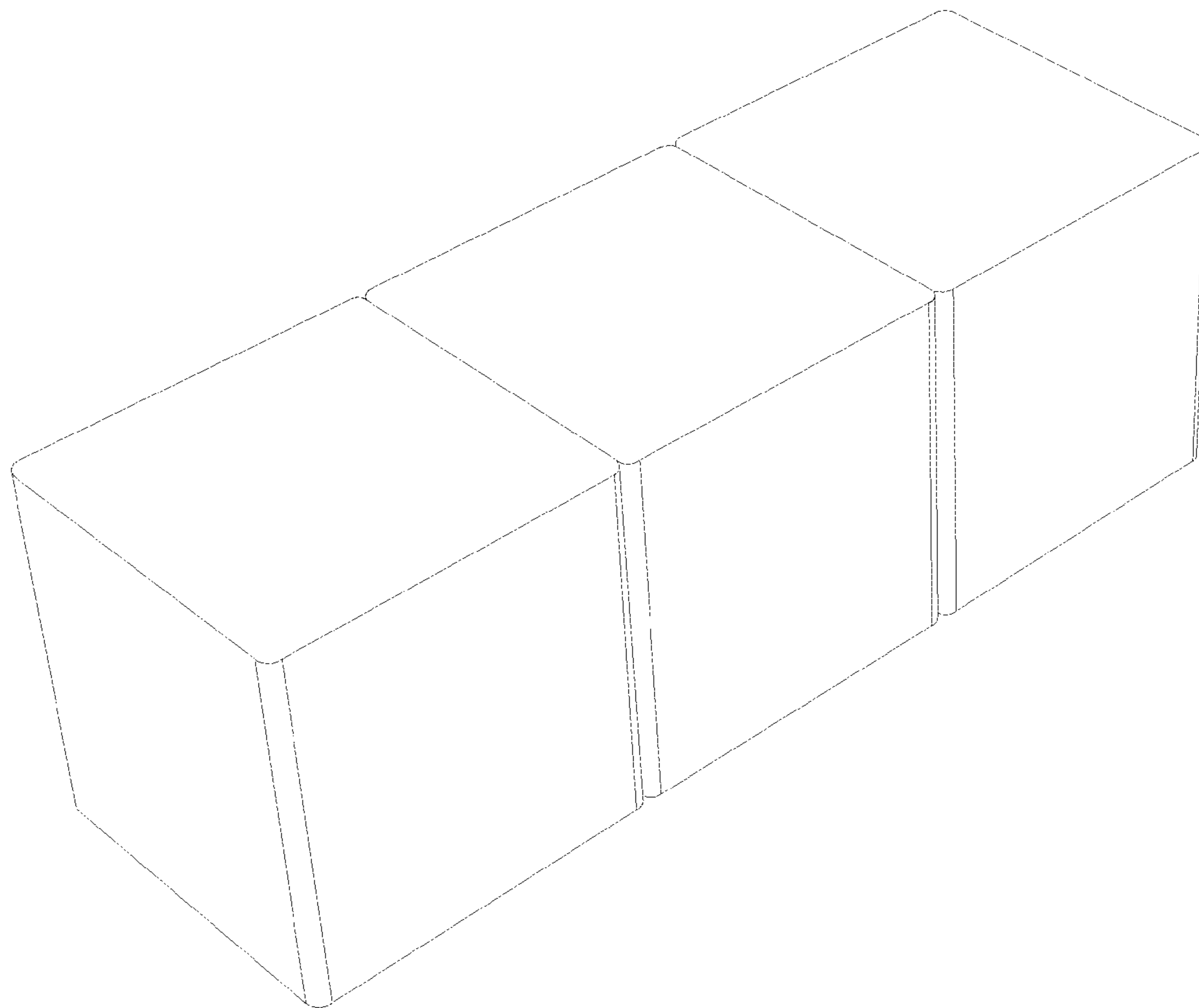


FIG. 13

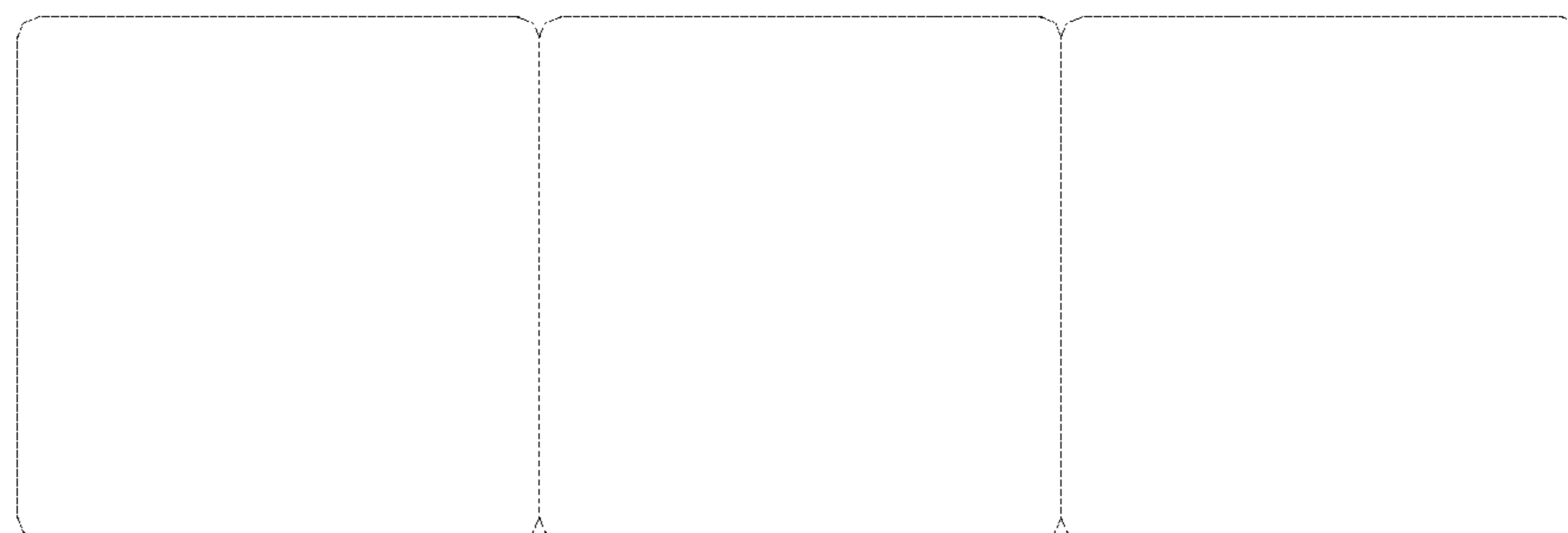


FIG. 14

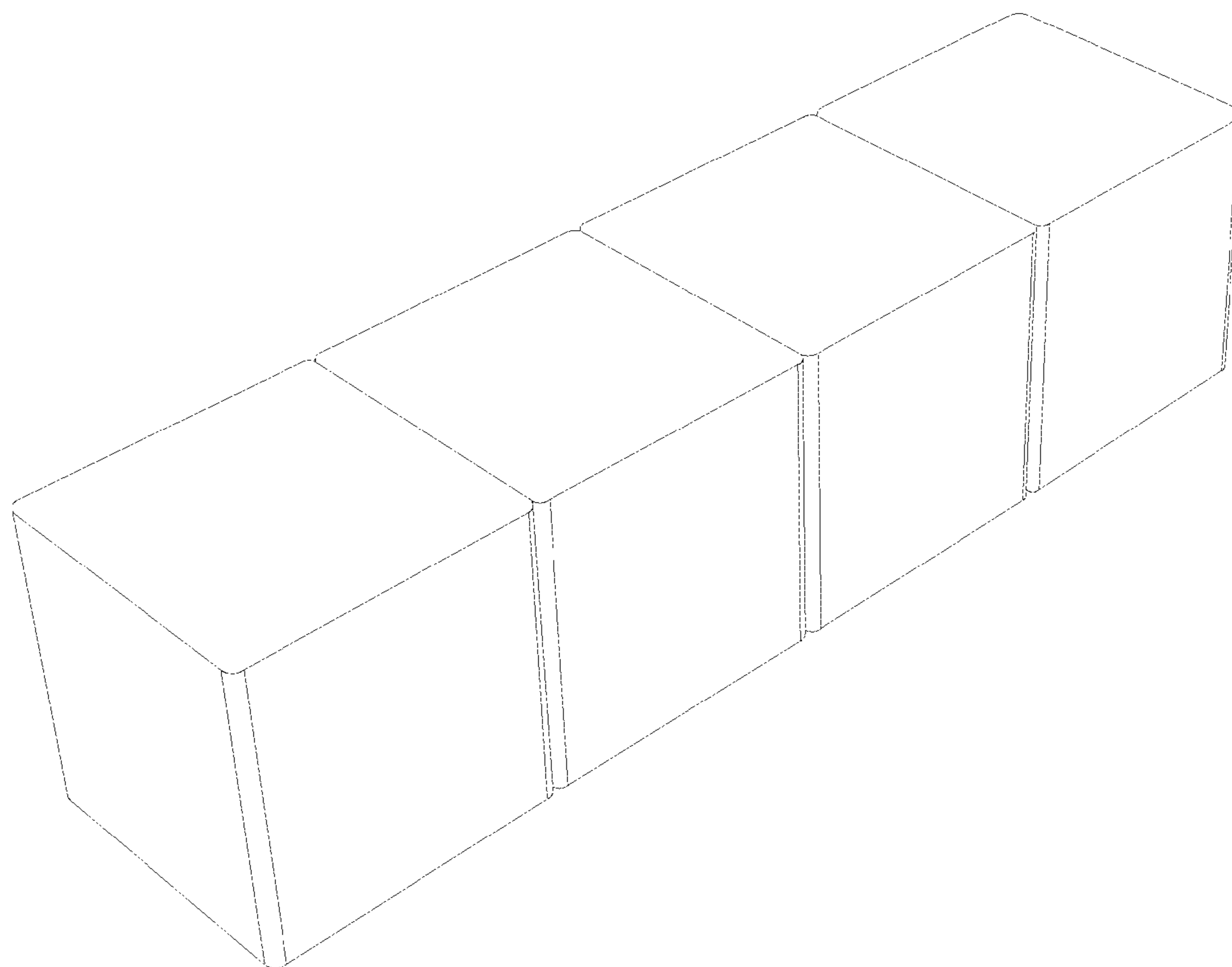


FIG. 15

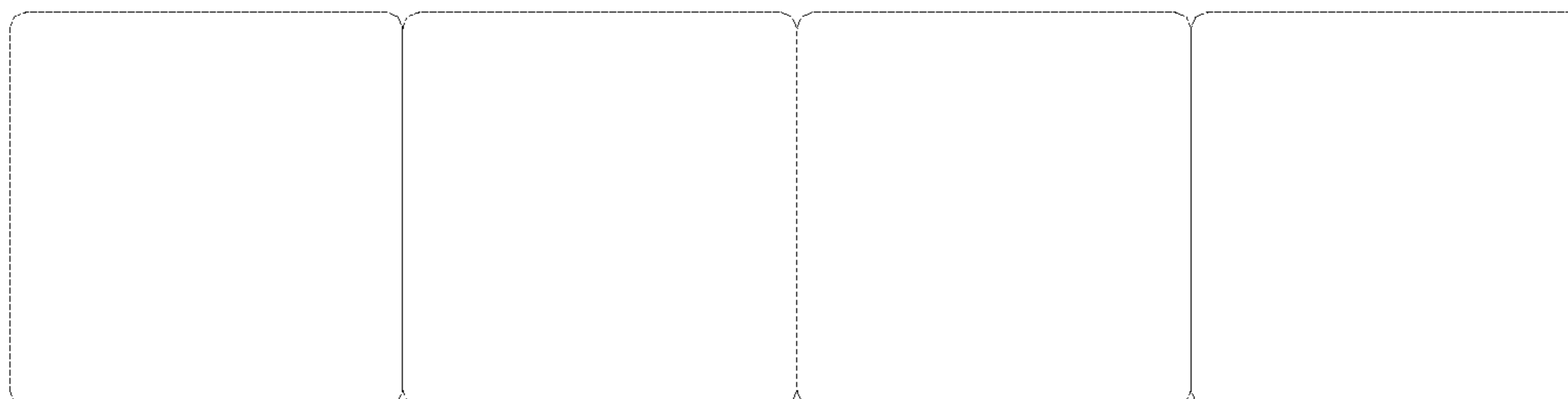


FIG. 16

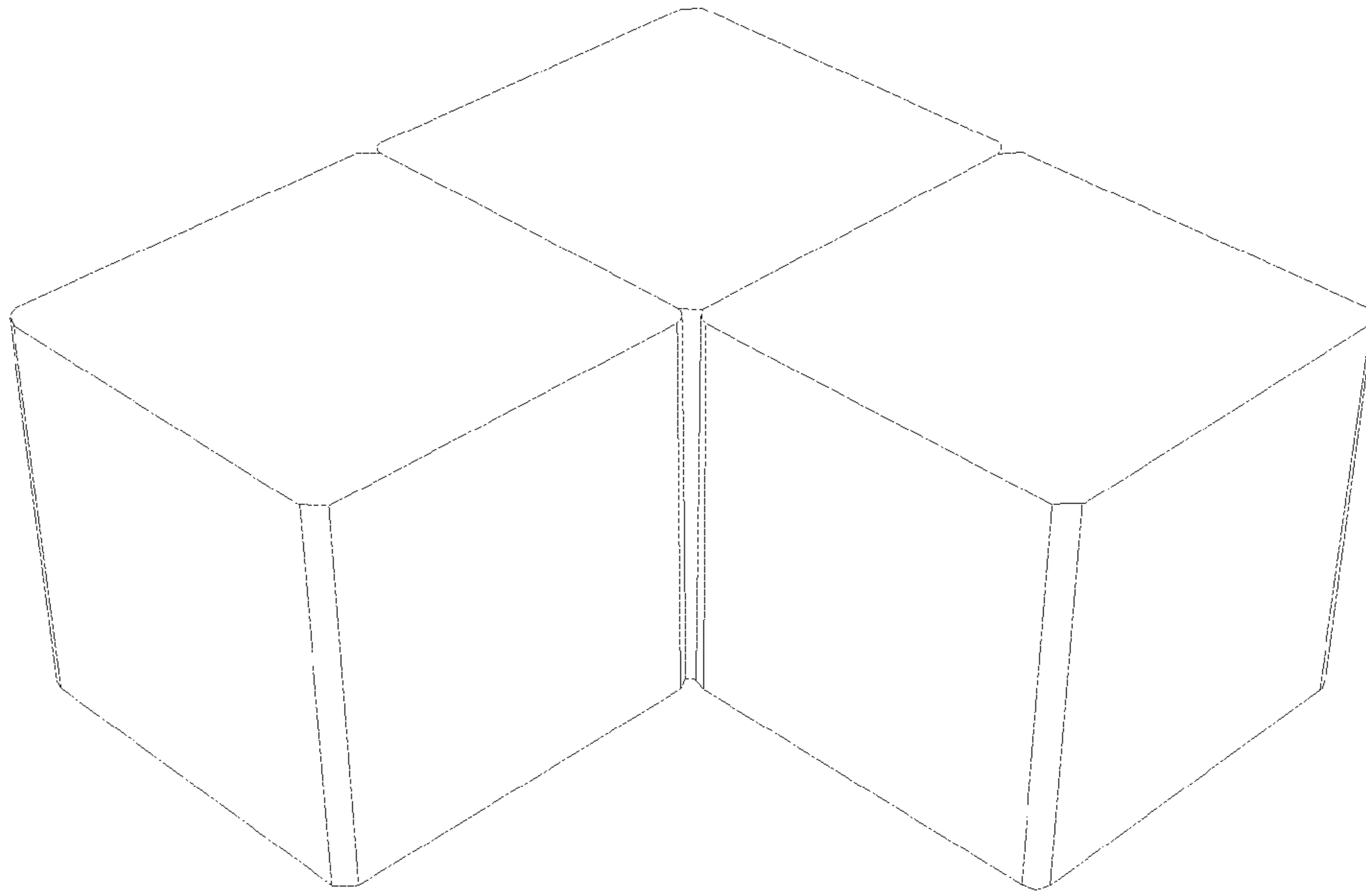


FIG. 17

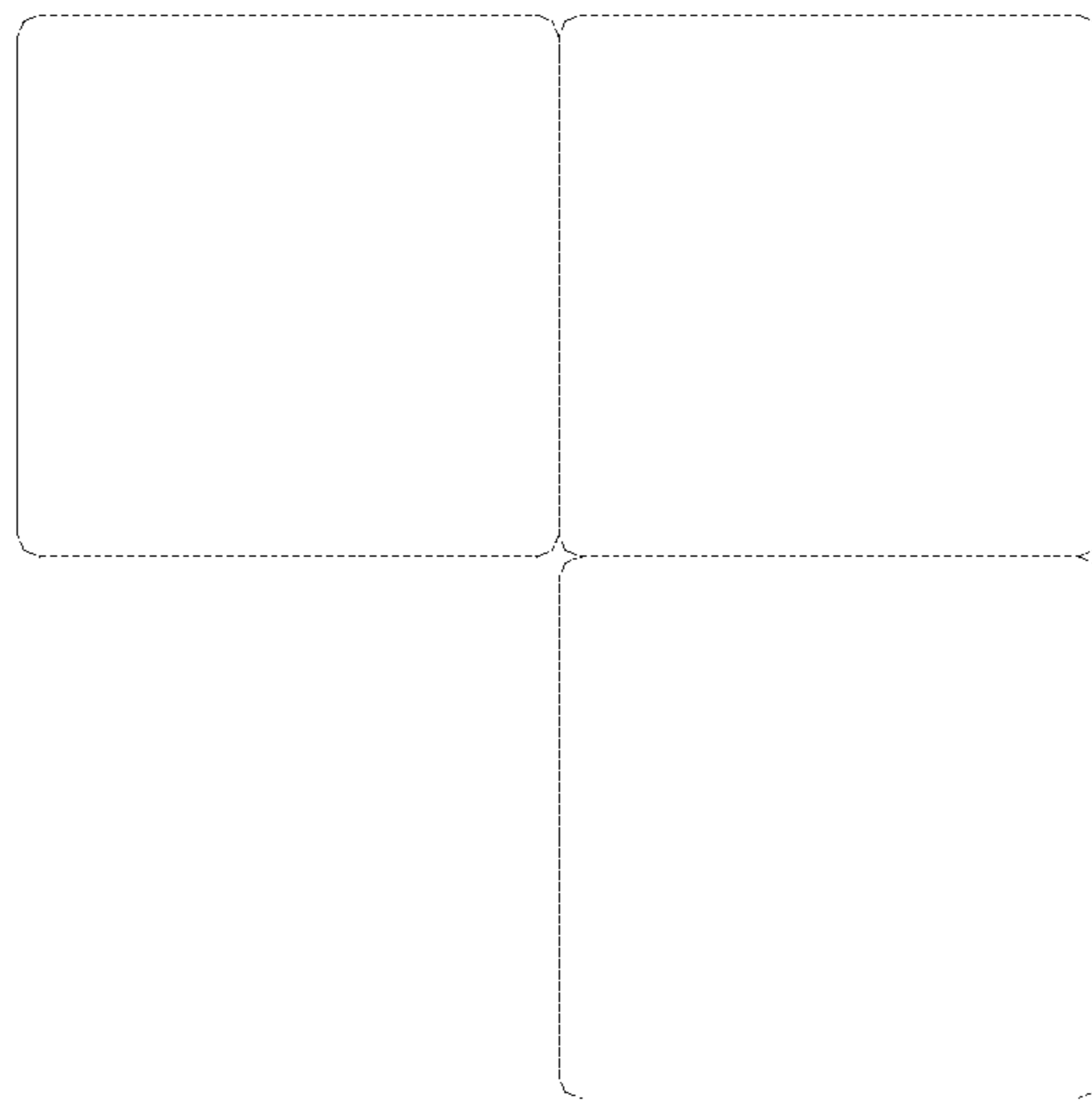


FIG. 18

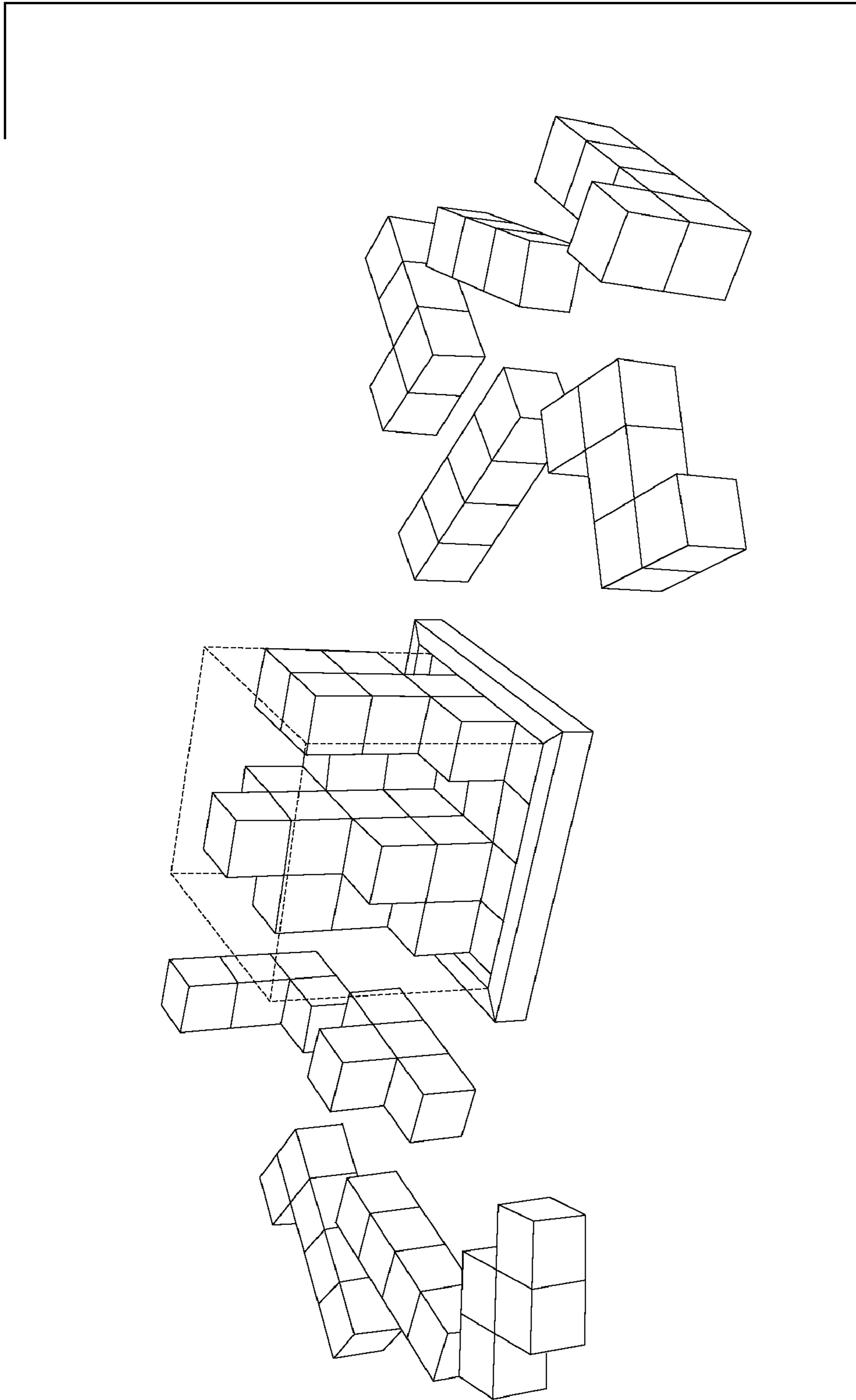


FIG. 19