



US00D656557S

(12) **United States Design Patent**
Ikeda et al.

(10) **Patent No.:** **US D656,557 S**
(45) **Date of Patent:** **** Mar. 27, 2012**

(54) **GAME CONTROLLER**

(75) Inventors: **John Ikeda**, Seattle, WA (US); **Scott Harold Wilson**, Chicago, IL (US); **Dennis Matthew Puhalla**, Chicago, IL (US); **Brett D. Christie**, Seattle, WA (US)

(73) Assignee: **Microsoft Corporation**, Redmond, WA (US)

(**) Term: **14 Years**

(21) Appl. No.: **29/393,642**

(22) Filed: **Jun. 7, 2011**

(51) **LOC (9) Cl.** **21-01**

(52) **U.S. Cl.** **D21/333; D14/400**

(58) **Field of Classification Search** D21/324, D21/328, 333, 385, 477, 566; D14/399-402, D14/412, 414, 416, 432; 273/148 B, 449, 273/441, 442; 463/1, 29-35, 46, 47; 345/156, 345/161; 434/45, 46

See application file for complete search history.

(56) **References Cited**

U.S. PATENT DOCUMENTS

5,829,745	A *	11/1998	Houle	273/148 B
D424,000	S	5/2000	An et al.		
6,544,124	B2 *	4/2003	Ireland et al.	463/37
D497,365	S *	10/2004	Hussaini et al.	D14/414
6,976,677	B1 *	12/2005	McVicar	273/148 B
D517,124	S *	3/2006	Merril et al.	D21/324
D522,516	S *	6/2006	Hussaini et al.	D14/414
D558,651	S	1/2008	Ikeda et al.		
7,316,618	B2 *	1/2008	Hsu	463/37

D562,323	S *	2/2008	Kutaragi et al.	D14/401
D566,781	S	4/2008	Ikeda et al.		
D568,409	S	5/2008	Ikeda et al.		
D586,865	S *	2/2009	Ko et al.	D21/333
D615,131	S *	5/2010	Biheller	D21/333
D639,865	S *	6/2011	Sogabe et al.	D21/333
D641,797	S *	7/2011	Chen	D21/333

OTHER PUBLICATIONS

Steering Wheel for iPhone and iPad Touch by CTA Digital disclosed Oct. 2009, [online], [retrieved on Nov. 8, 2011]. Retrieved from Internet, <URL:http://technology.nicefun.net/tag/racing/>.

* cited by examiner

Primary Examiner — Prabhakar Deshmukh

(74) *Attorney, Agent, or Firm* — Banner & Witcoff, Ltd.

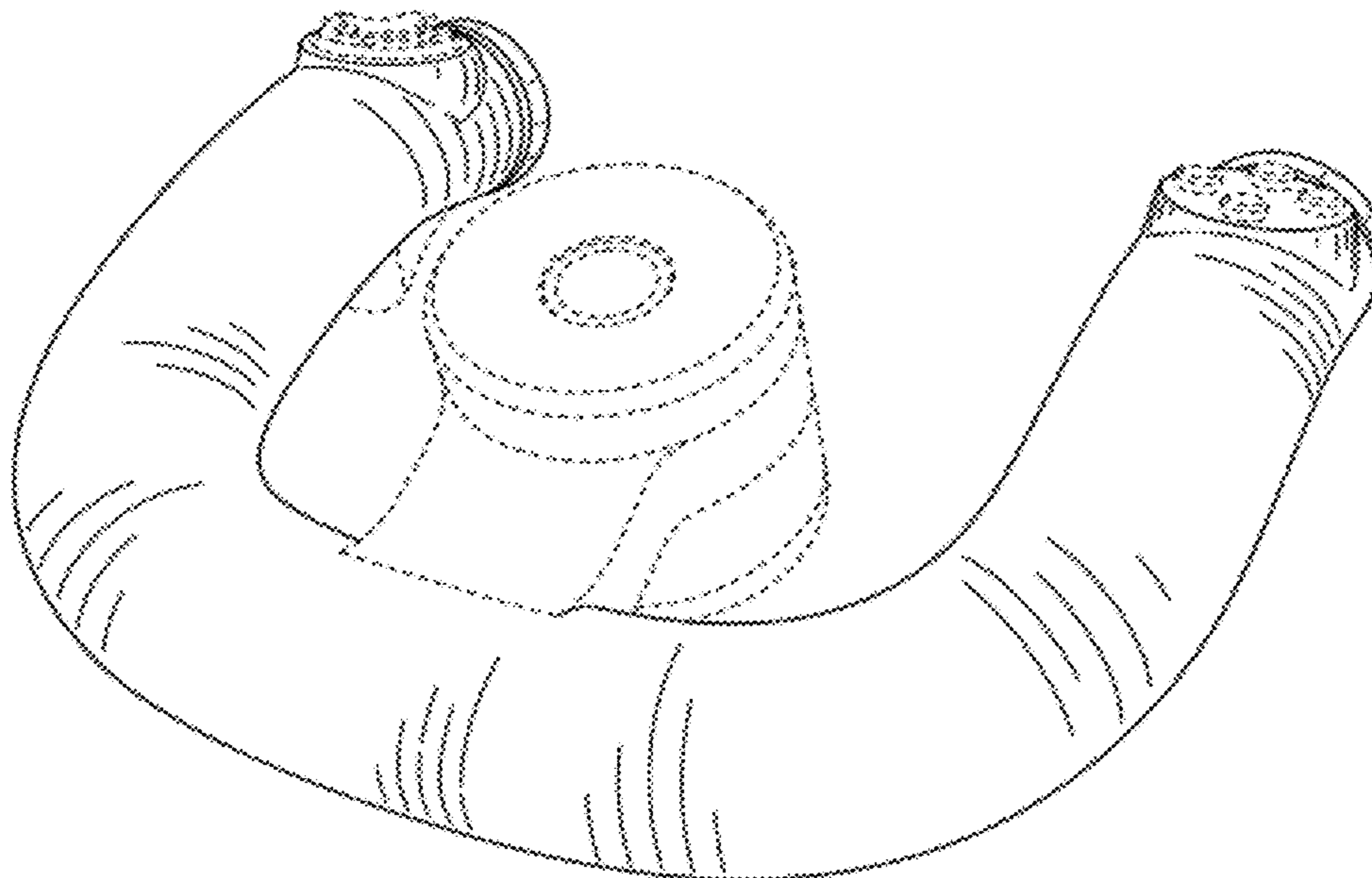
(57) **CLAIM**

The ornamental design for a game controller, as shown and described.

DESCRIPTION

FIG. 1 is a front perspective view of a game controller showing our new design;
FIG. 2 is a bottom view thereof;
FIG. 3 is a top view thereof;
FIG. 4 is a right side view thereof;
FIG. 5 is a left side view thereof;
FIG. 6 is a front view thereof;
FIG. 7 is a rear view thereof; and,
FIG. 8 is a rear perspective view thereof.
The broken line showing of the control button regions and the central hub region is for environmental purposes only and forms no part of the claimed design.

1 Claim, 5 Drawing Sheets



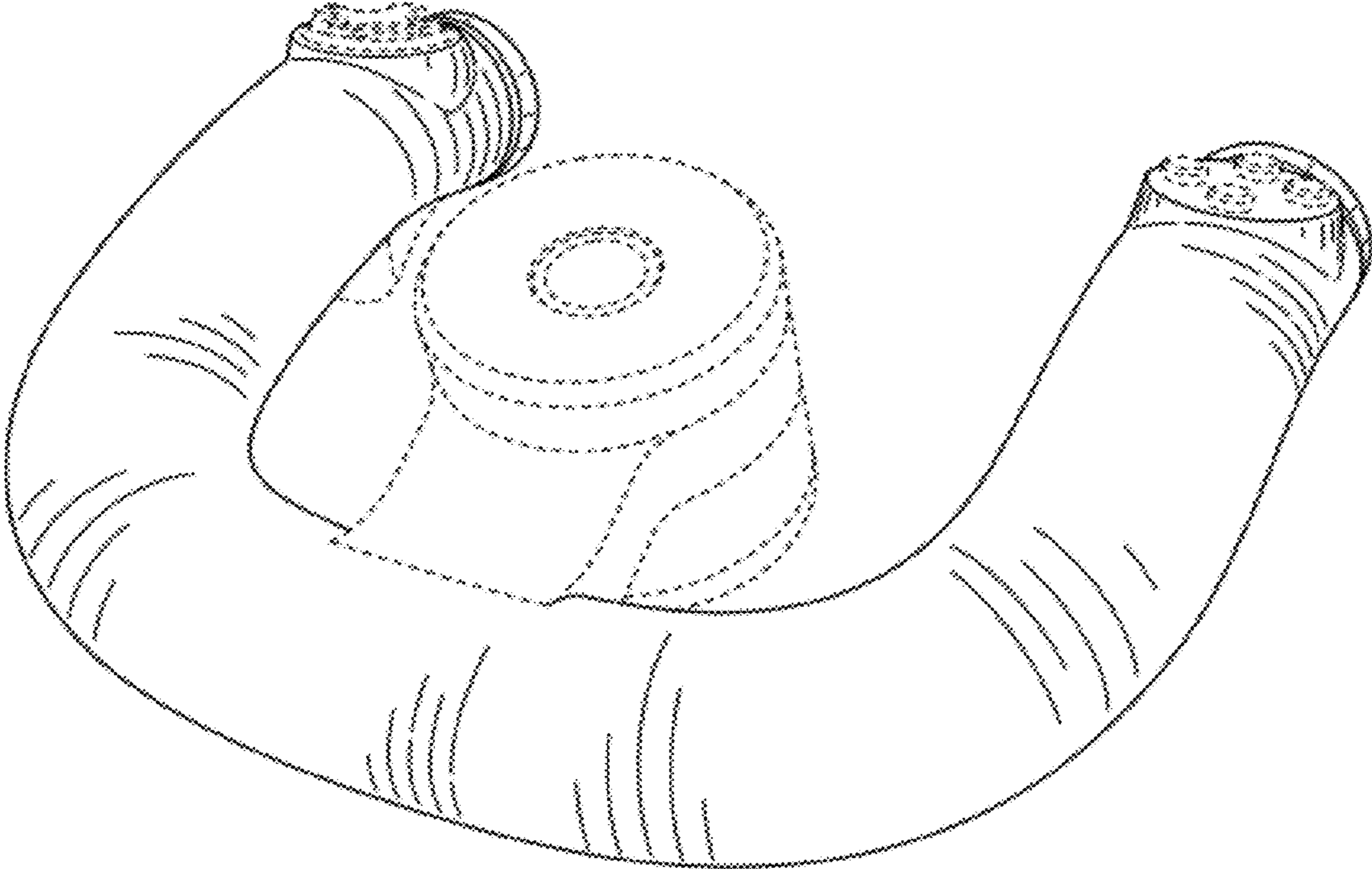


FIG. 1

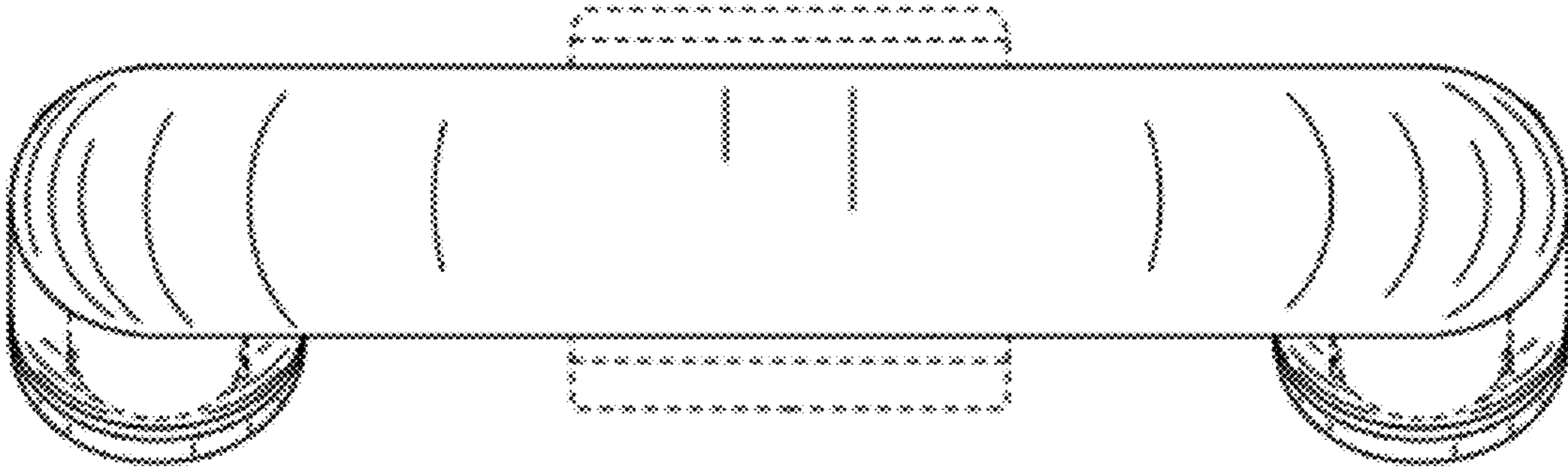


FIG. 2

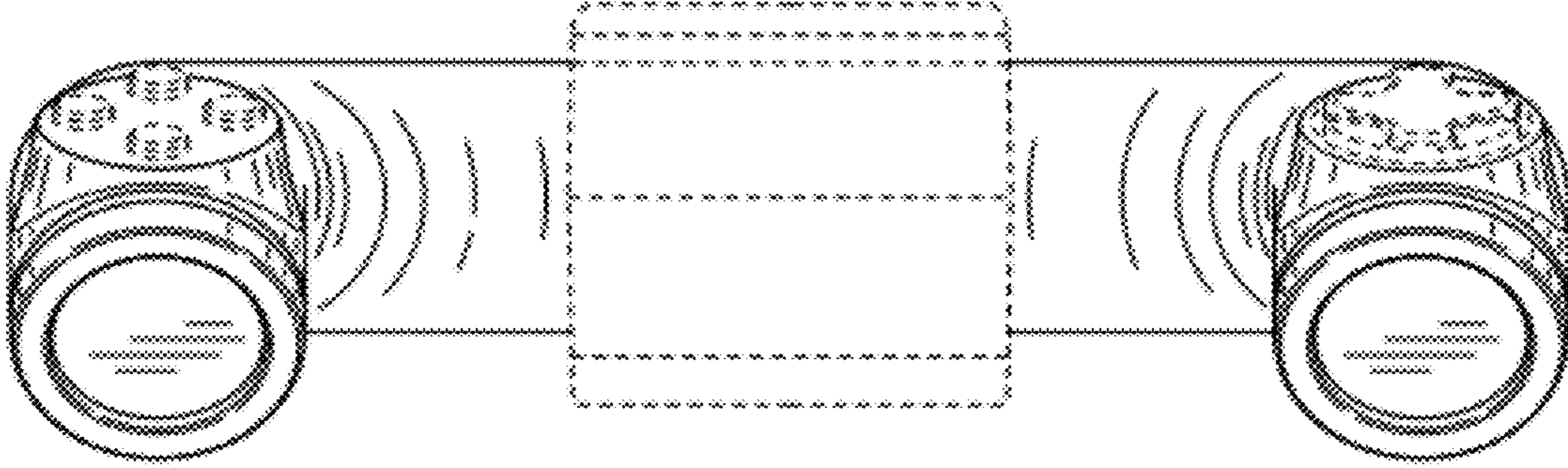


FIG. 3

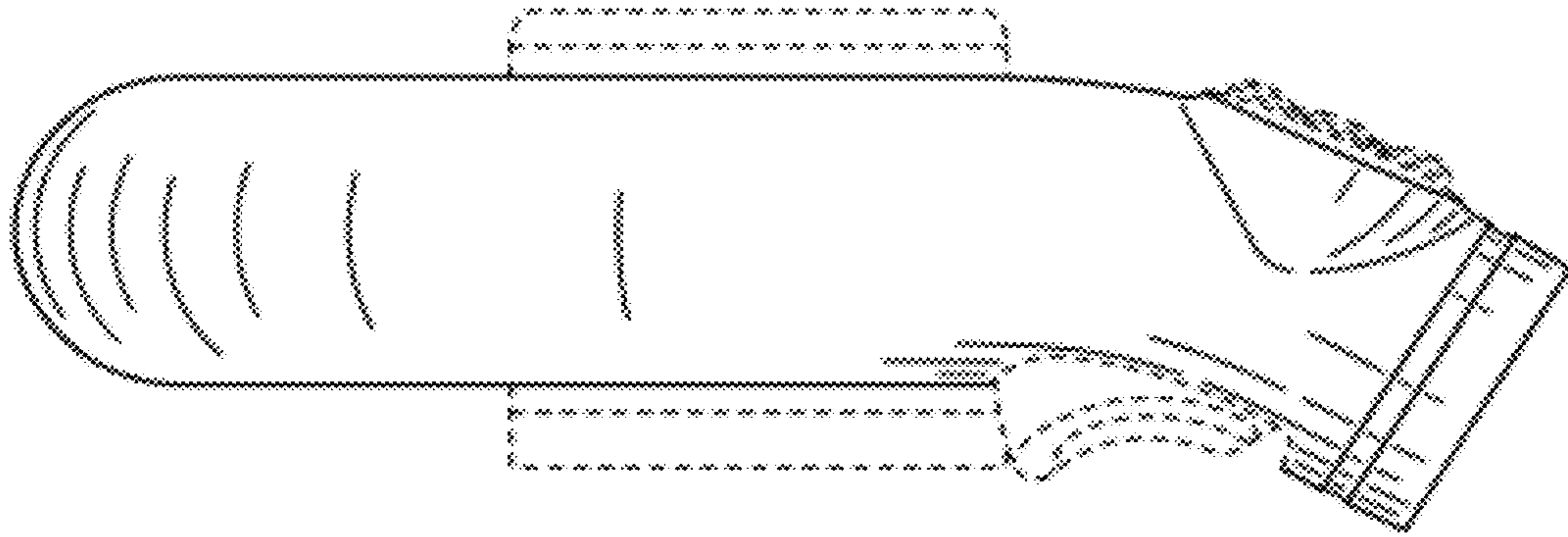


FIG. 4

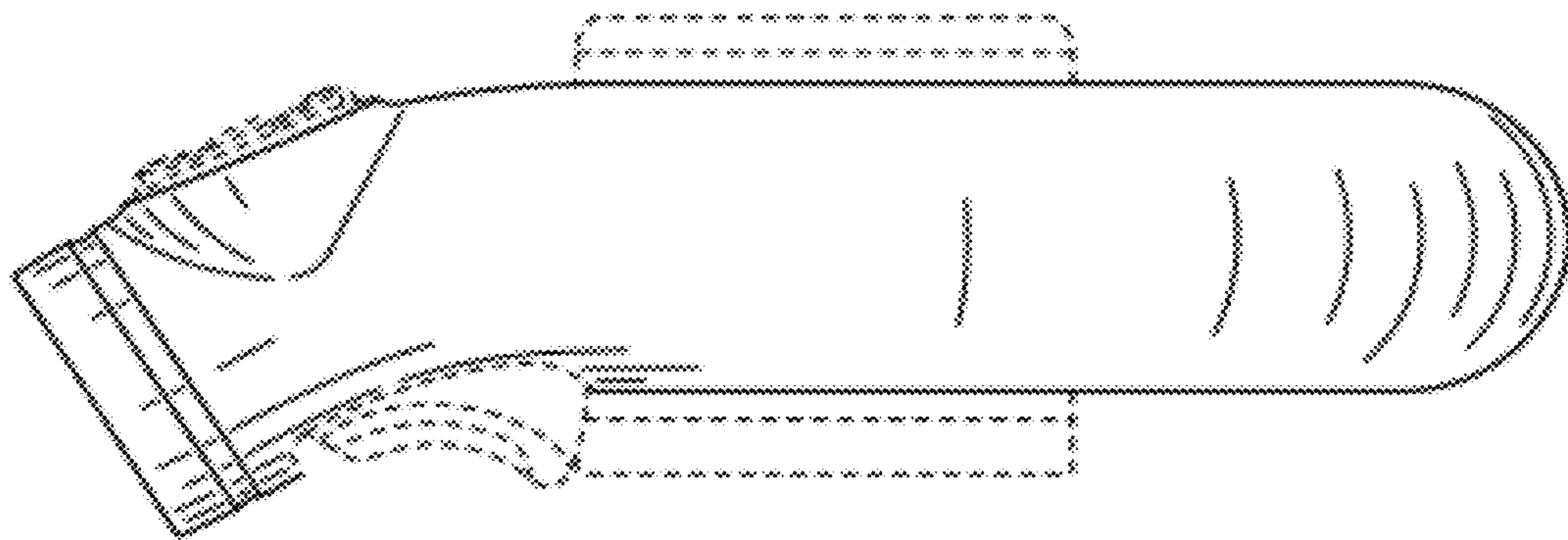


FIG. 5

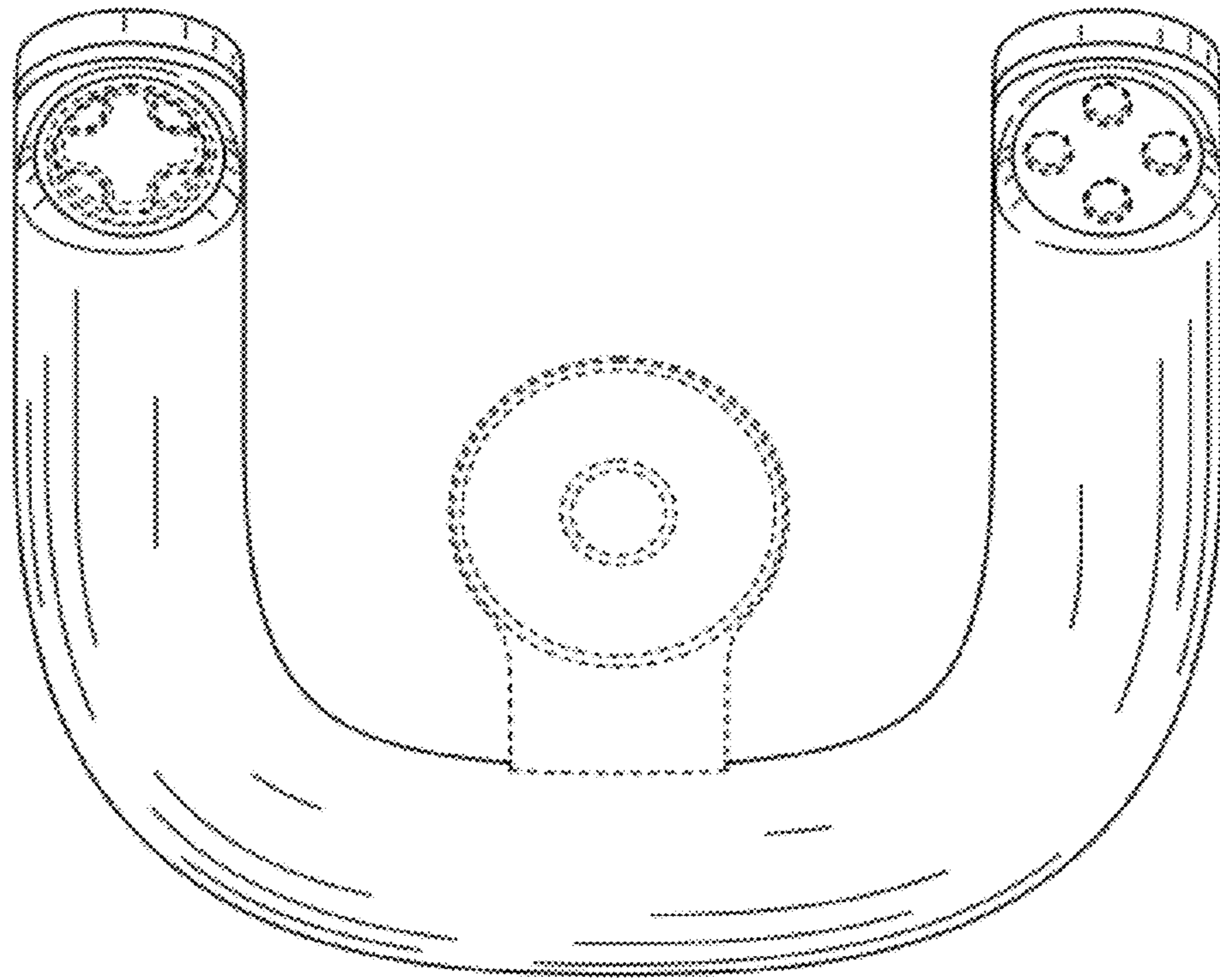


FIG. 6

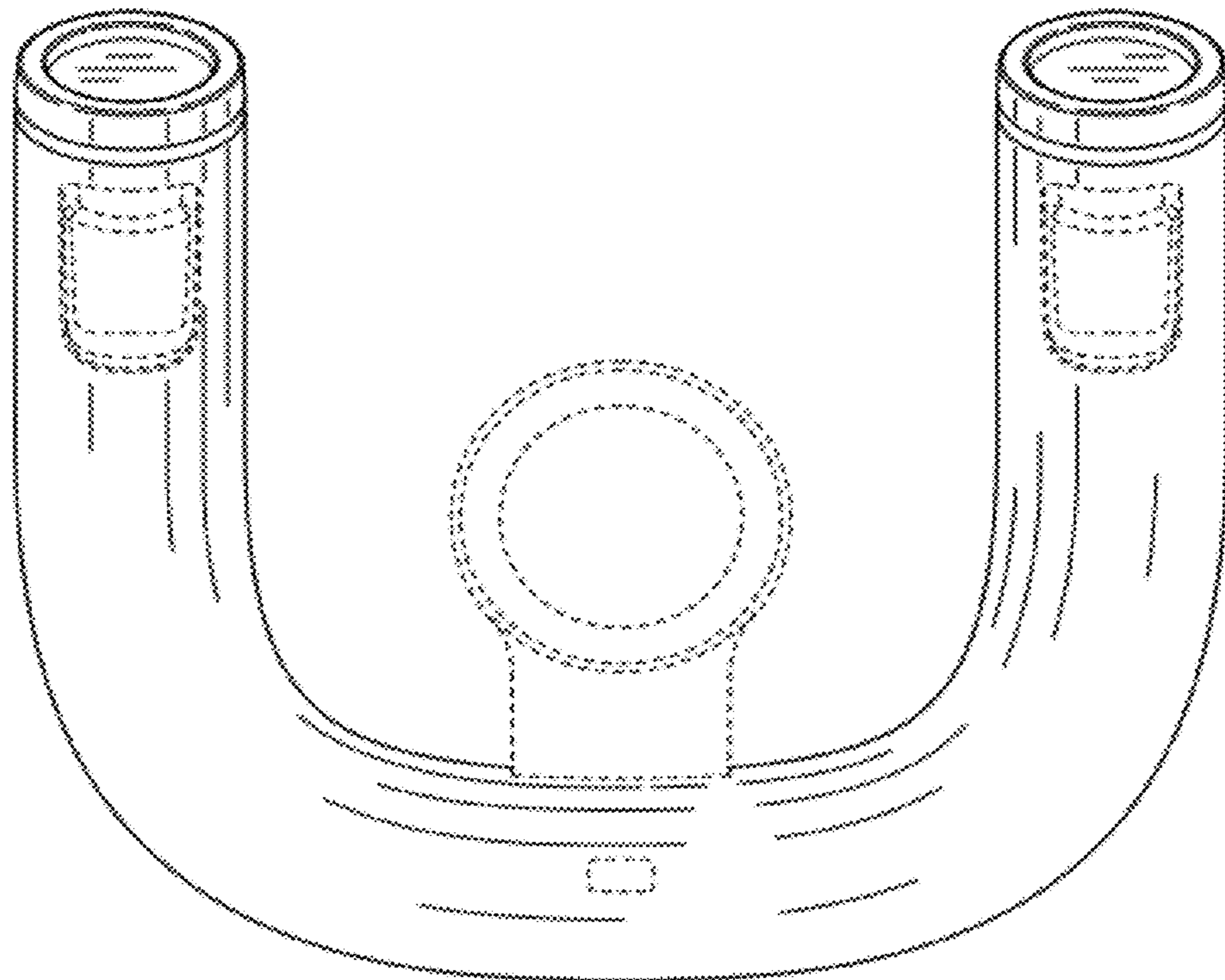


FIG. 7

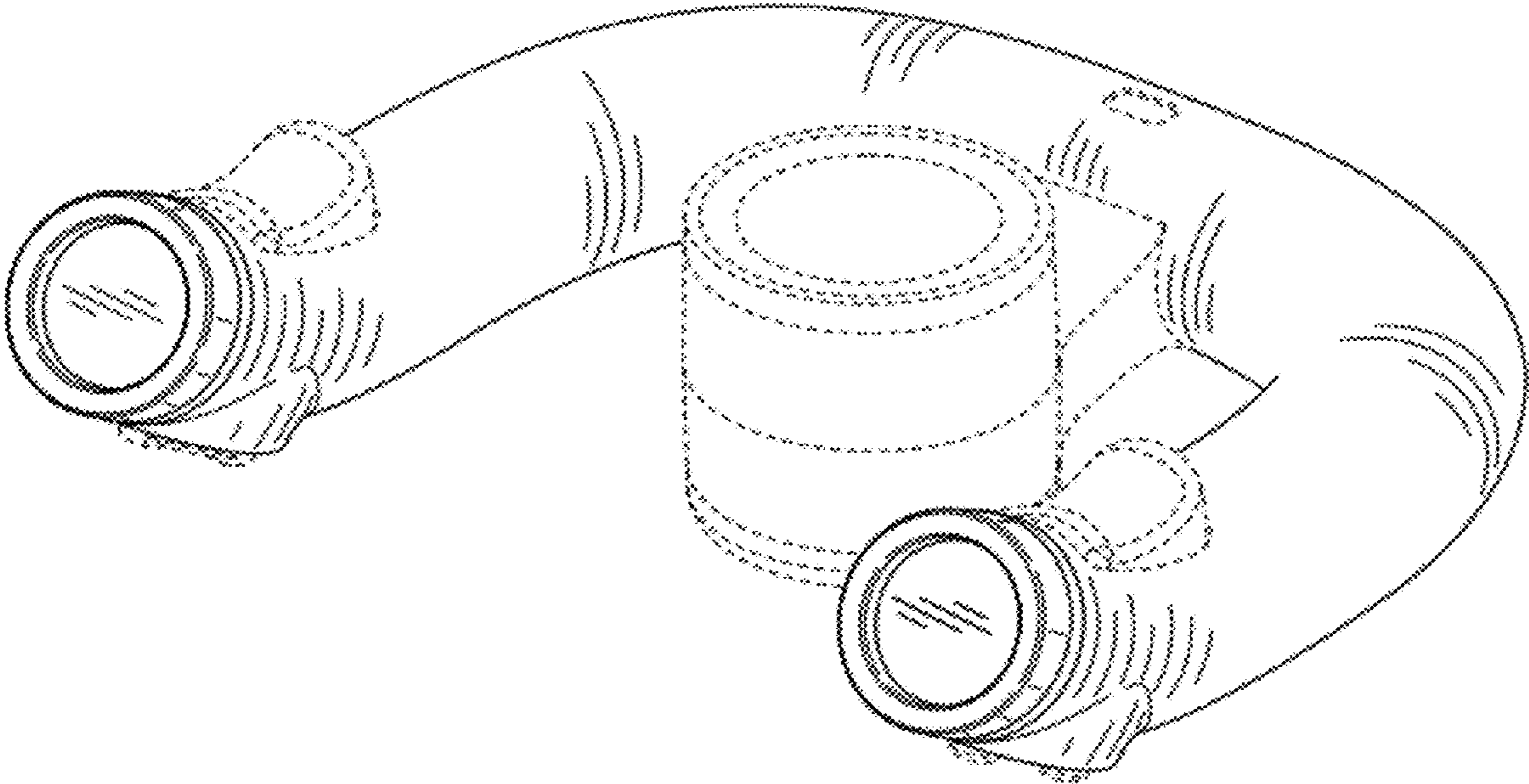


FIG. 8