



US00D65655S

(12) **United States Design Patent**
Zenri et al.

(10) **Patent No.:** **US D656,555 S**
(45) **Date of Patent:** **** Mar. 27, 2012**

(54) **ELECTRONIC COMPUTER STAND**
(75) Inventors: **Yuko Zenri**, Kyoto (JP); **Hideaki Kamata**, Kyoto (JP)

D556,836 S 12/2007 Ashida et al.
D574,383 S 8/2008 Maruyama et al.
D575,350 S 8/2008 Ashida et al.
D582,486 S 12/2008 Ashida et al.

(Continued)

(73) Assignee: **Nintendo Co., Ltd.**, Kyoto (JP)

(**) Term: **14 Years**

FOREIGN PATENT DOCUMENTS
AU 155141 12/2009

(21) Appl. No.: **29/380,751**

(22) Filed: **Dec. 10, 2010**

OTHER PUBLICATIONS

Russian Official Action (w/English translation) dated May 11, 2011 for Application No. 2010503597, filed Sep. 12, 2010. The translated Official Action is relied upon as a statement of relevance regarding the AU registration.

(30) **Foreign Application Priority Data**

Jun. 11, 2010 (JP) 2010-014467
Nov. 22, 2010 (JP) 2010-027962

Primary Examiner — Prabhakar Deshmukh
(74) *Attorney, Agent, or Firm* — Nixon & Vanderhye, P.C.

(51) **LOC (9) Cl.** **21-01**

(52) **U.S. Cl.** **D21/333**

(58) **Field of Classification Search** D21/324–333,
D21/369, 385; 273/148 B, 148 R, 461; D14/495,
D14/338, 339, 348, 356, 432, 433, 471, 474,
D14/137, 160, 168, 188–181, 203.1–203.8,
D14/219, 265, 257; 345/156–161, 1.1;
455/344–351; 369/6–12; 463/1, 29–35,
463/46, 47; 16/321, 337; 248/176.1, 915,
248/921; 285/188, 231–234, 304, 330
See application file for complete search history.

(57) **CLAIM**

The ornamental design for an electronic computer stand, as shown and described.

(56) **References Cited**

U.S. PATENT DOCUMENTS

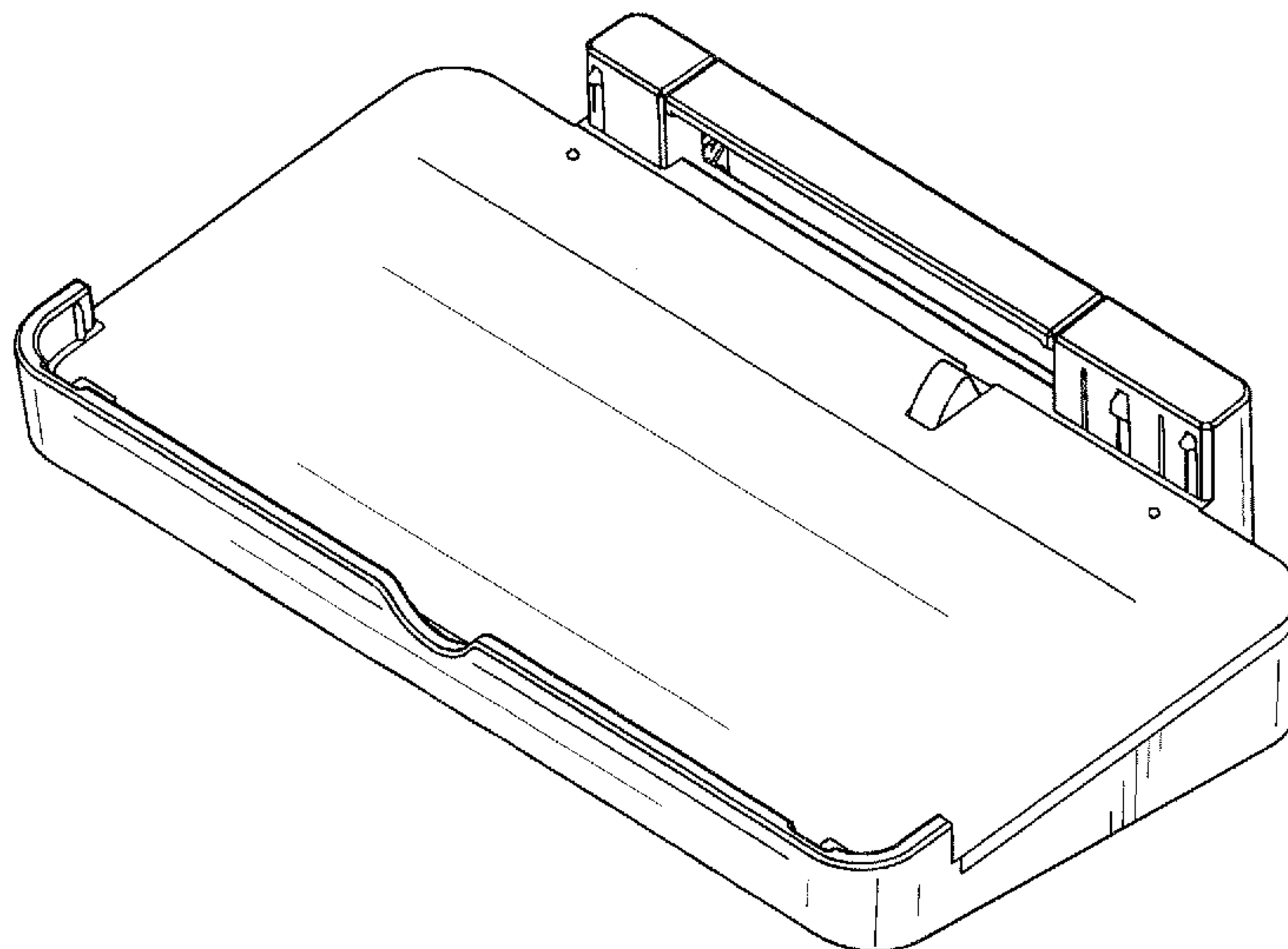
4,542,103 A * 9/1985 Adams 436/534
5,168,423 A * 12/1992 Ohgami et al. 361/679.07
5,873,554 A * 2/1999 Nobuchi 248/278.1
6,498,721 B1 * 12/2002 Kim 361/679.06
6,587,333 B2 * 7/2003 Tseng et al. 361/679.05
D484,918 S * 1/2004 Okada et al. D21/330
6,771,494 B2 * 8/2004 Shimano 361/679.06
6,958,902 B2 * 10/2005 Tseng et al. 361/679.06
D524,870 S * 7/2006 Sugino et al. D21/330
D532,051 S * 11/2006 Sugino et al. D21/330
D543,246 S * 5/2007 Ashida et al.
D555,667 S * 11/2007 Hussaini et al. D14/496

DESCRIPTION

FIG. 1 is a front, right and bottom perspective view of an electronic computer stand showing our new design;
FIG. 2 is a rear, left and top perspective view thereof;
FIG. 3 is a front elevational view thereof;
FIG. 4 is a rear elevational view thereof;
FIG. 5 is a top plan view thereof;
FIG. 6 is a bottom plan view thereof;
FIG. 7 is a left side elevational view thereof;
FIG. 8 is a right side elevational view thereof;
FIG. 9 is a perspective view thereof, shown in alternate position with an open and close portion shown in an open position; and,
FIG. 10 is a perspective view thereof, shown the article in its environmental use.

The broken lines environment is for illustrative purpose only and forms no part of the claimed design.

1 Claim, 4 Drawing Sheets



US D656,555 S

Page 2

U.S. PATENT DOCUMENTS

D588,139 S 3/2009 Fujino et al.
D589,962 S 4/2009 Maruyama et al.
D589,965 S 4/2009 Ashida et al.
D598,920 S 8/2009 Fujino et al.

D605,233 S 12/2009 Ashida et al.
D607,946 S * 1/2010 Ehara et al. D21/330
D641,049 S * 7/2011 Ehara et al. D21/330

* cited by examiner

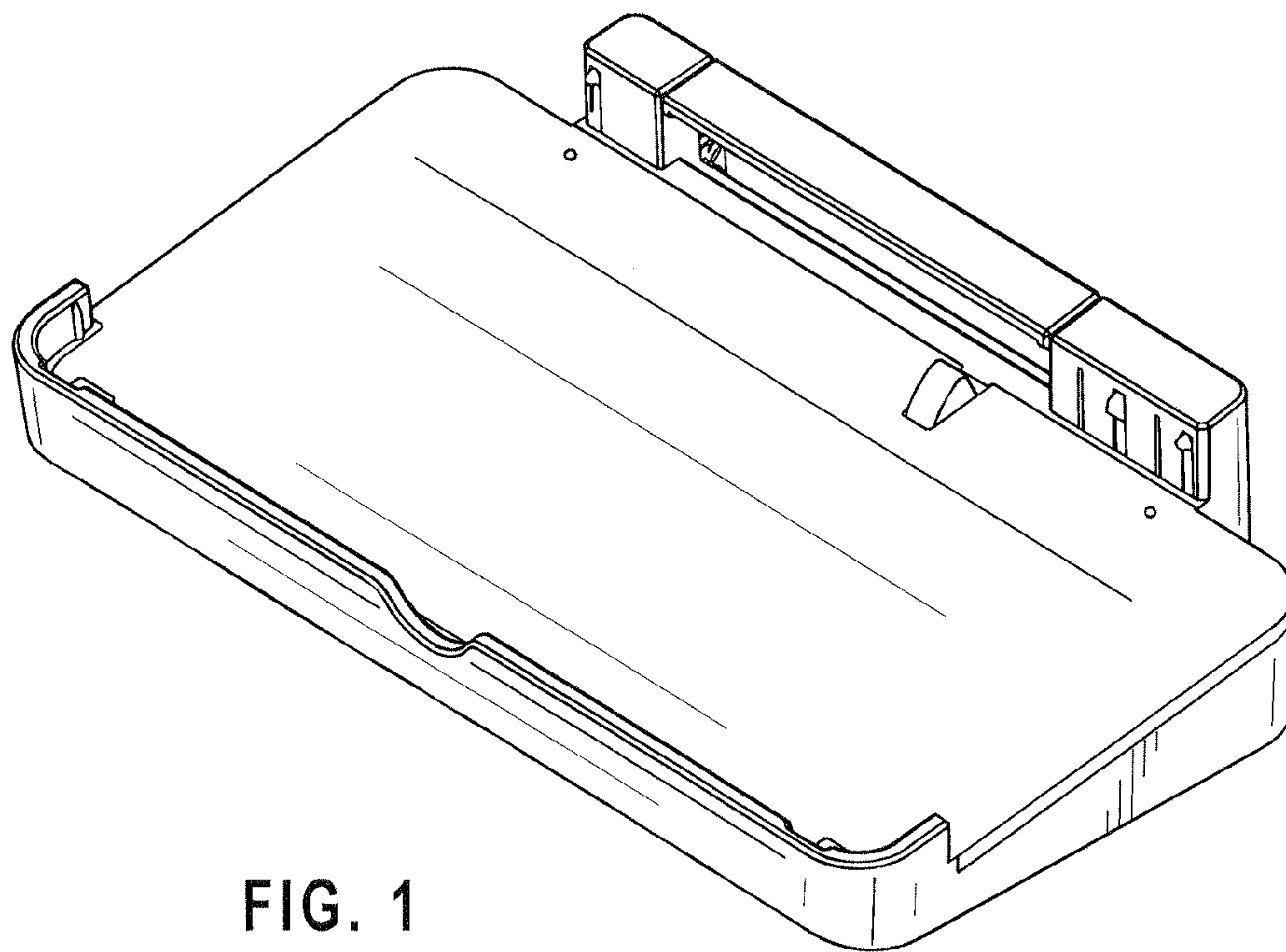


FIG. 1

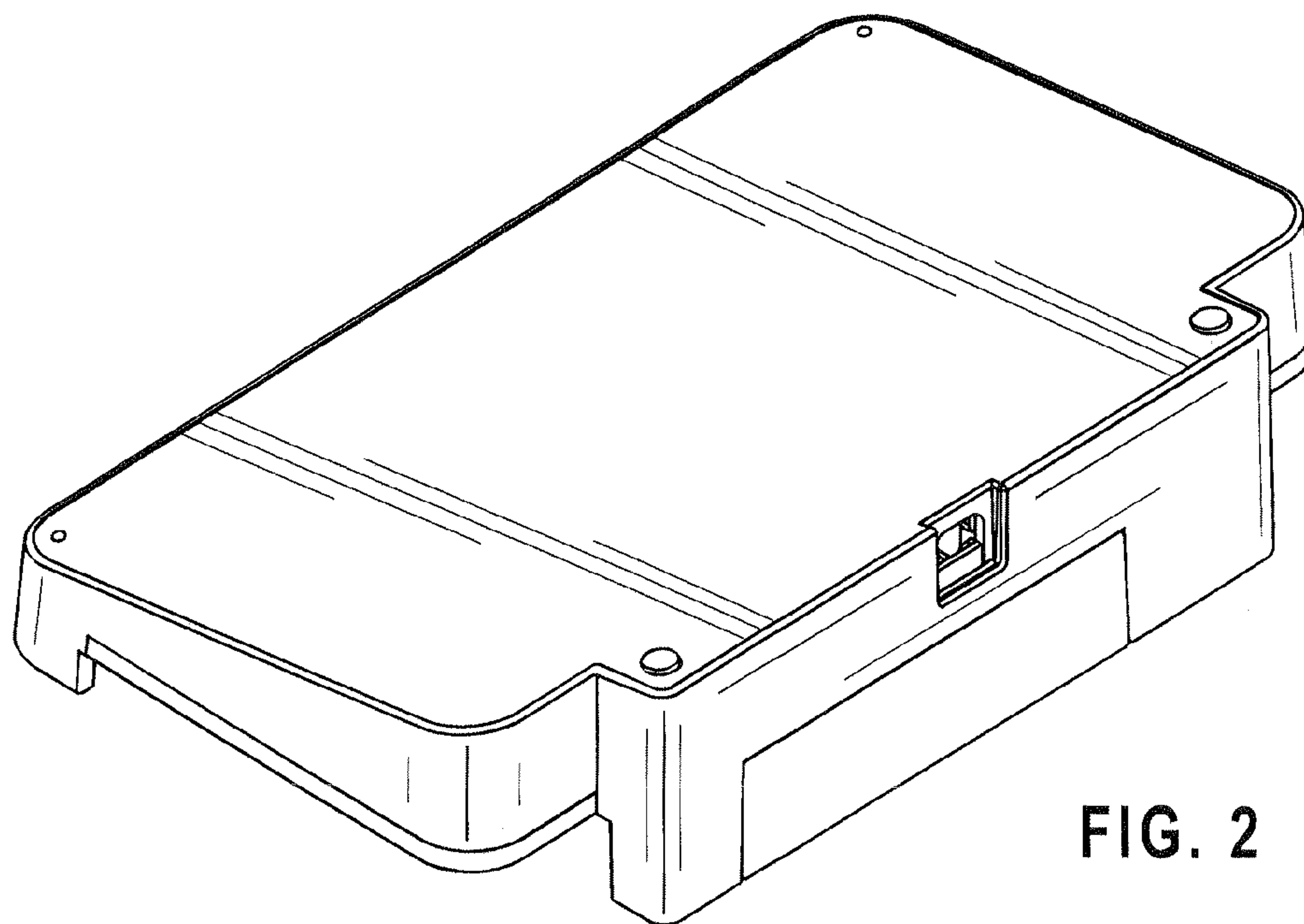


FIG. 2

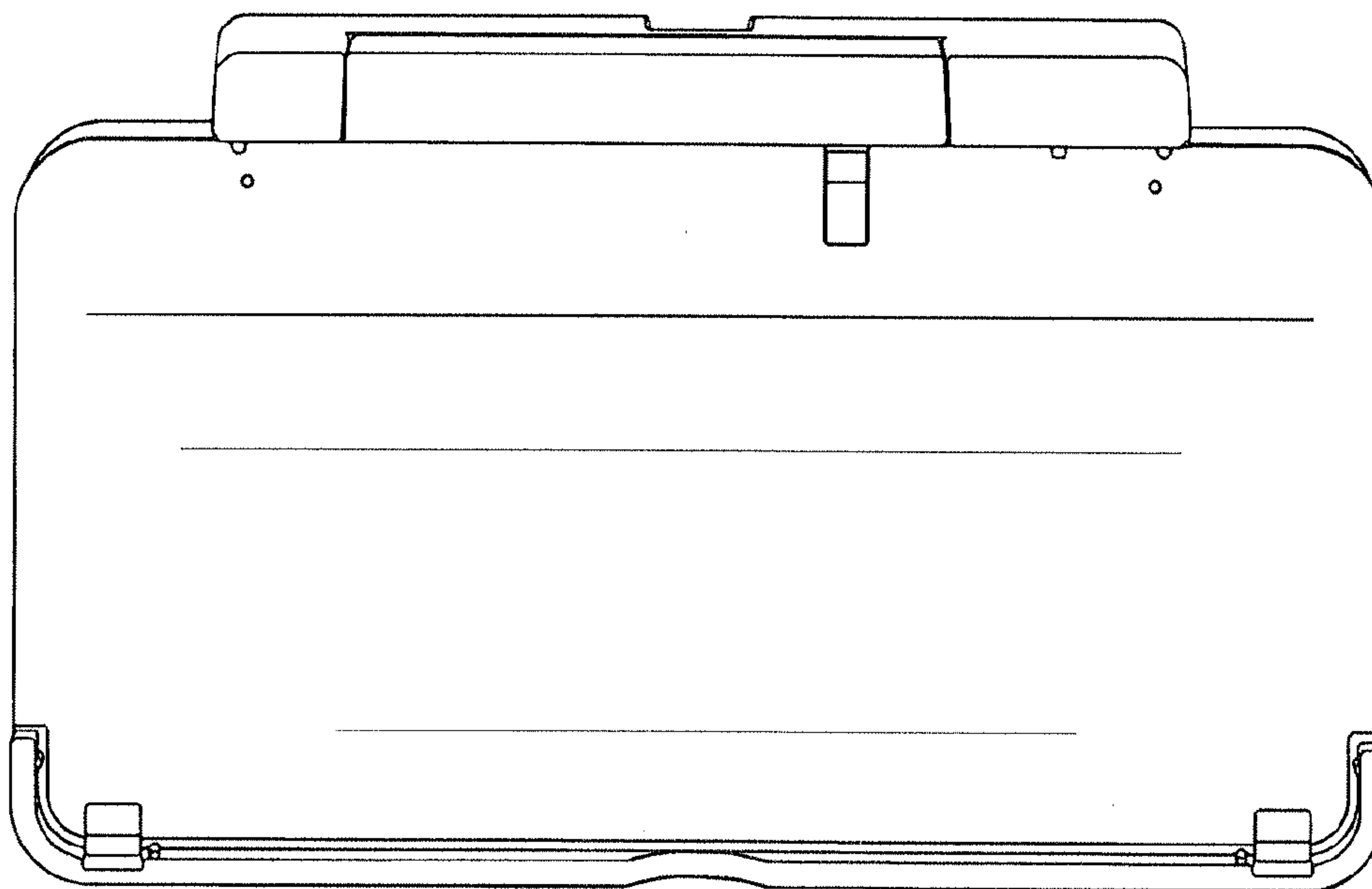


FIG. 3

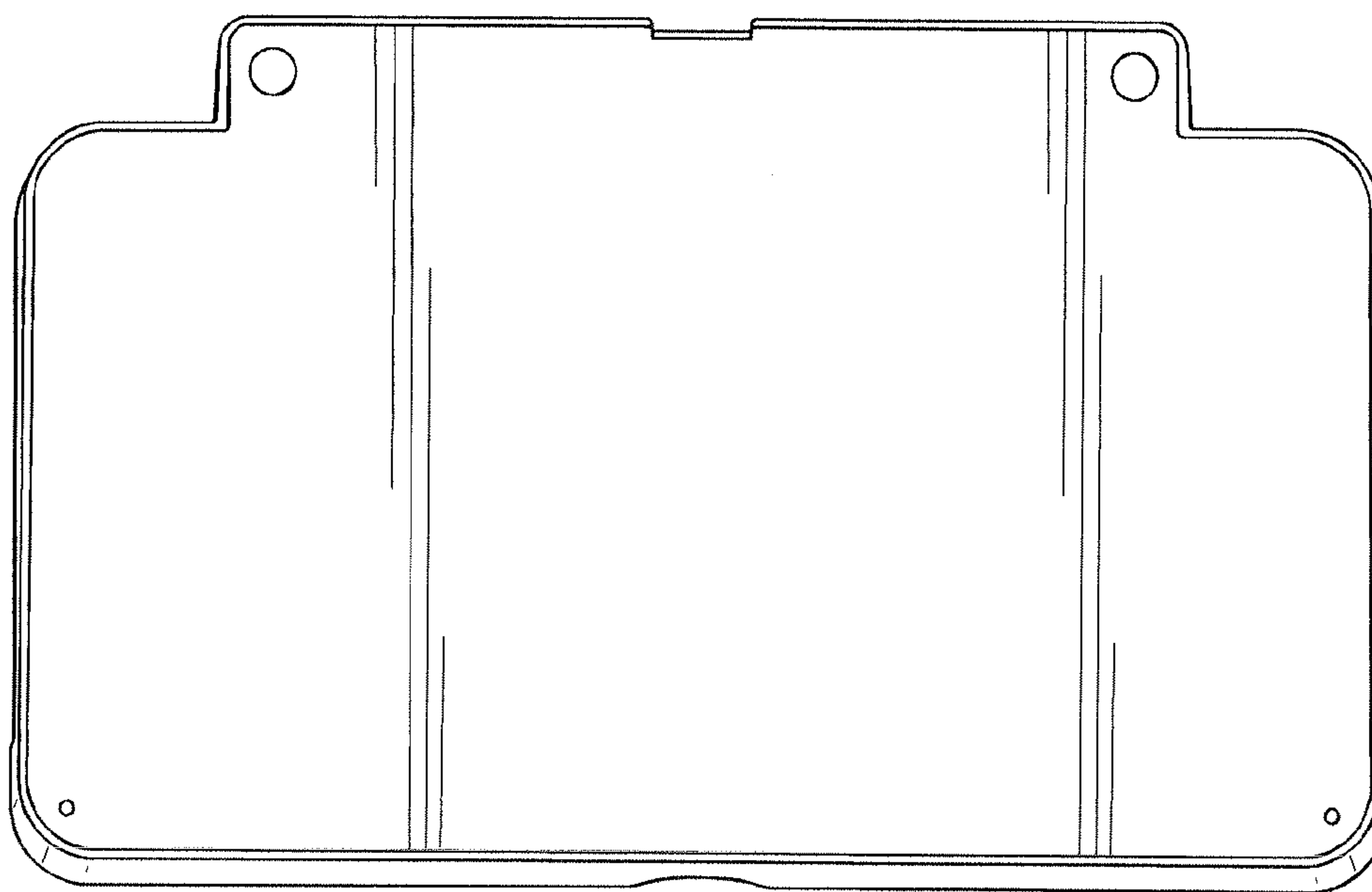


FIG. 4

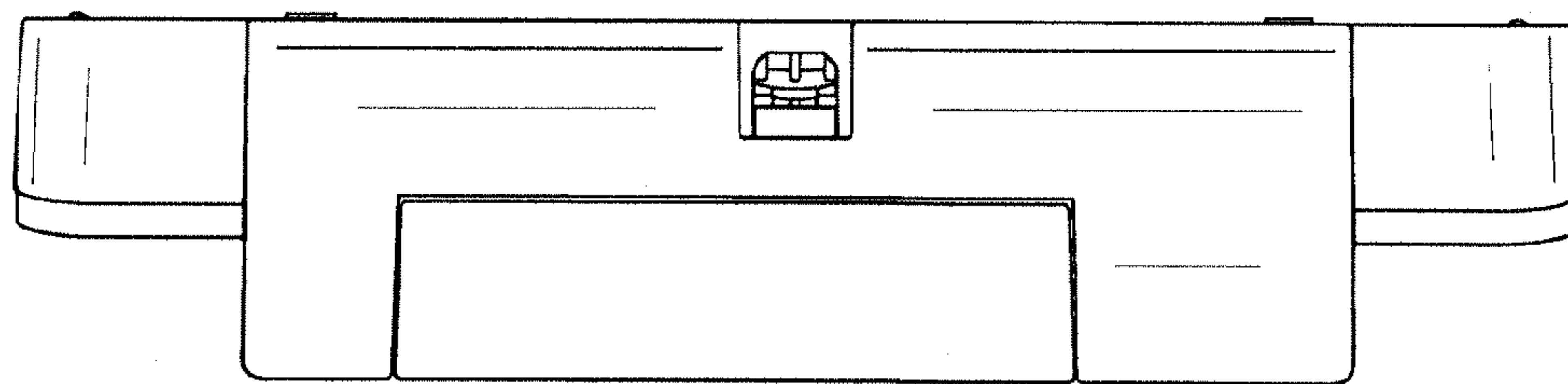


FIG. 5

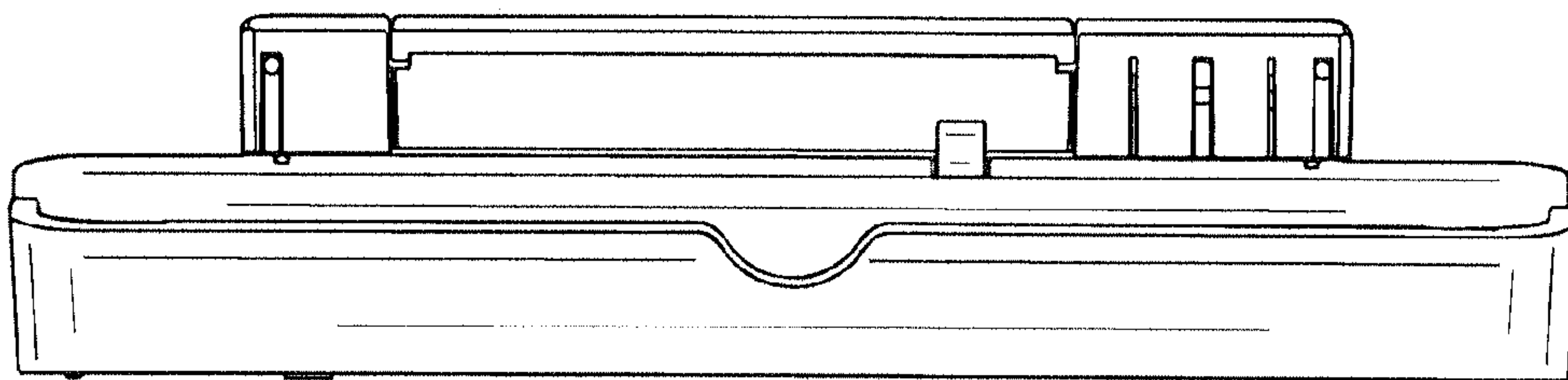


FIG. 6

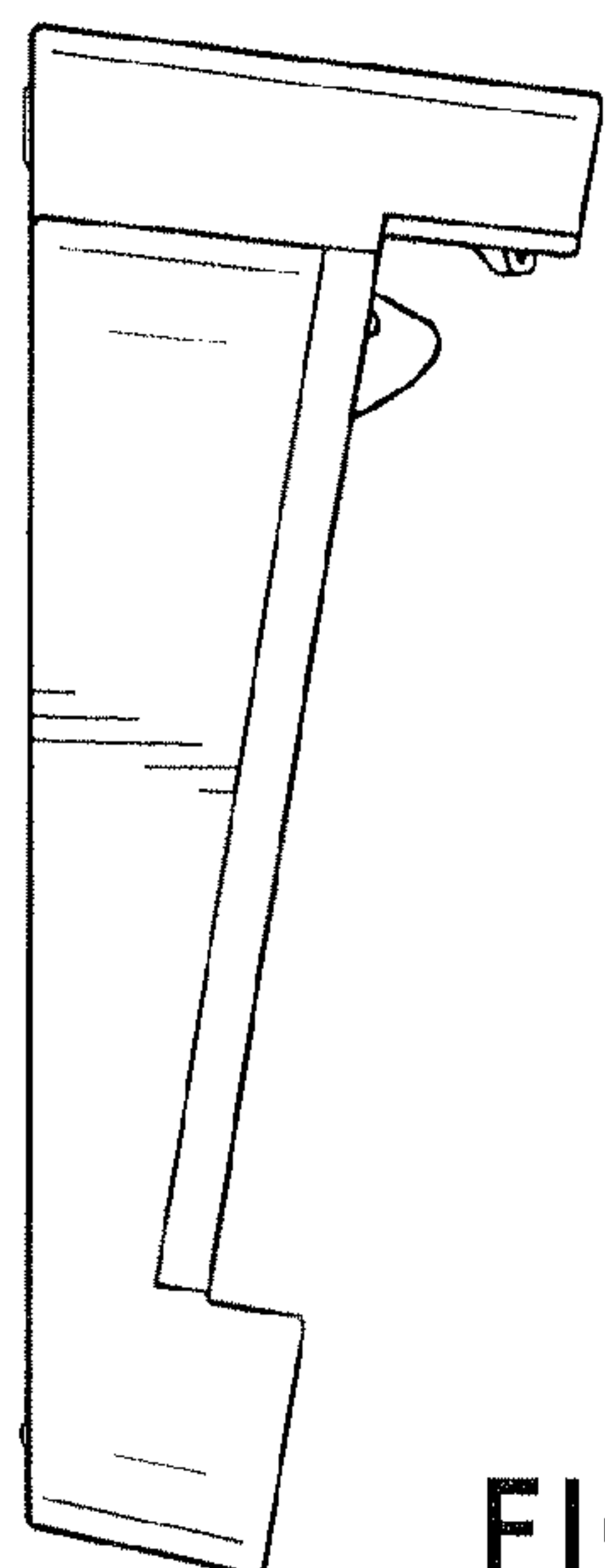


FIG. 7

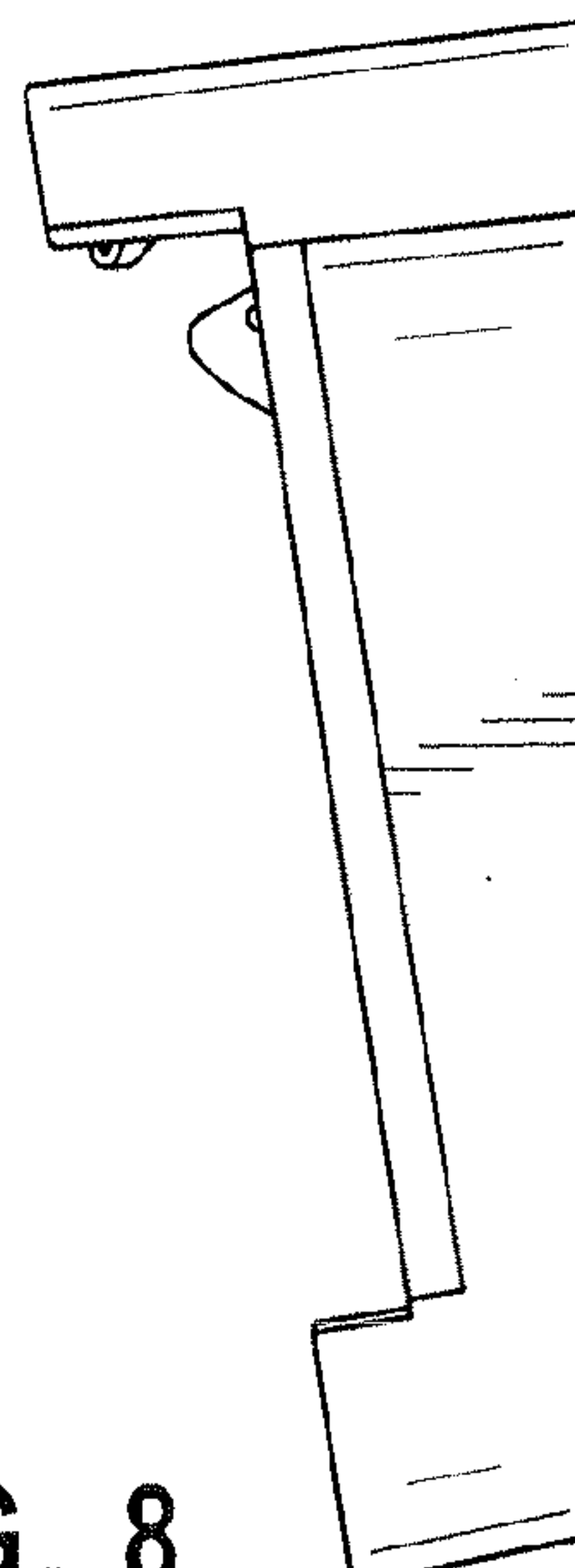


FIG. 8

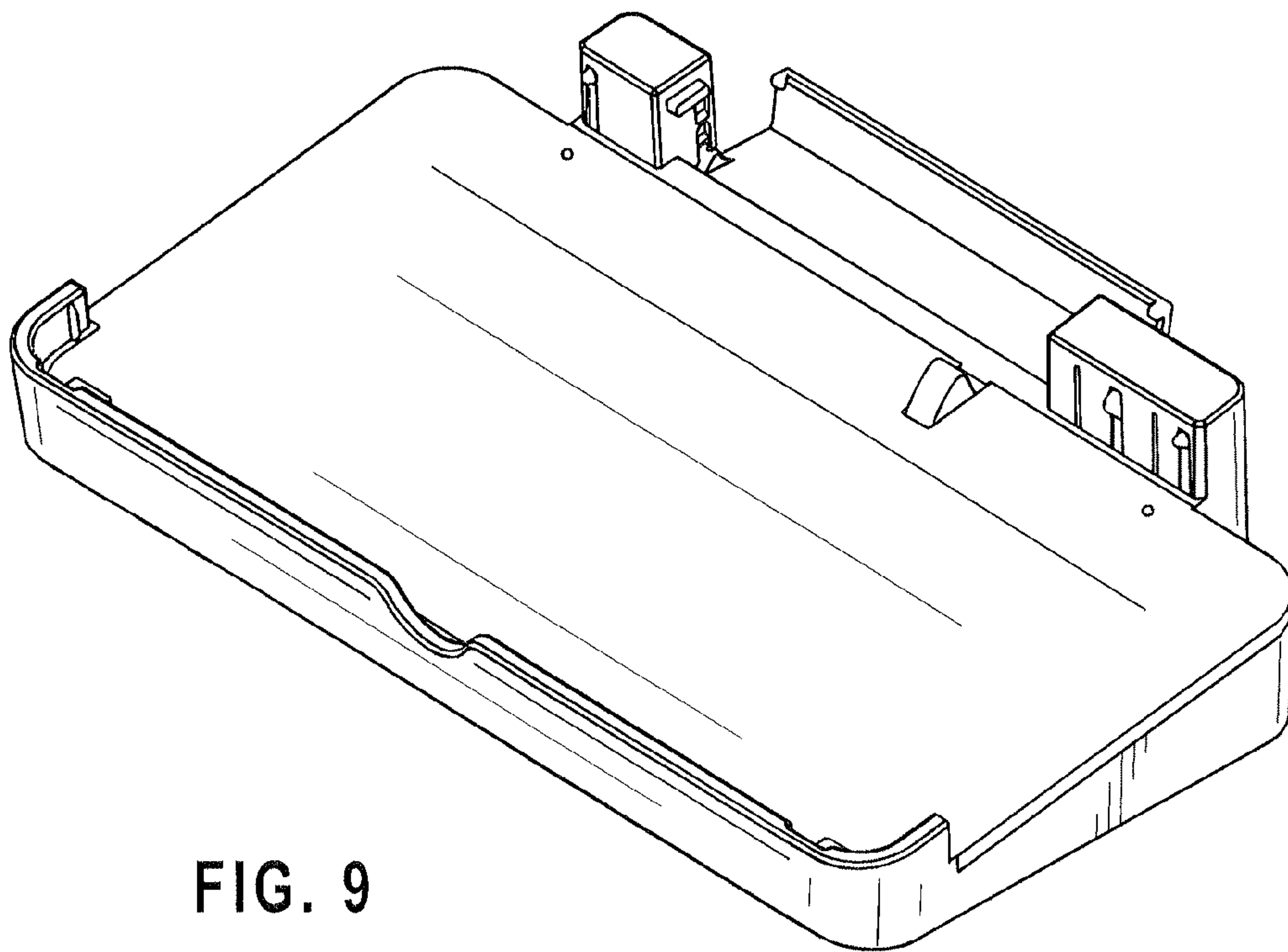


FIG. 9

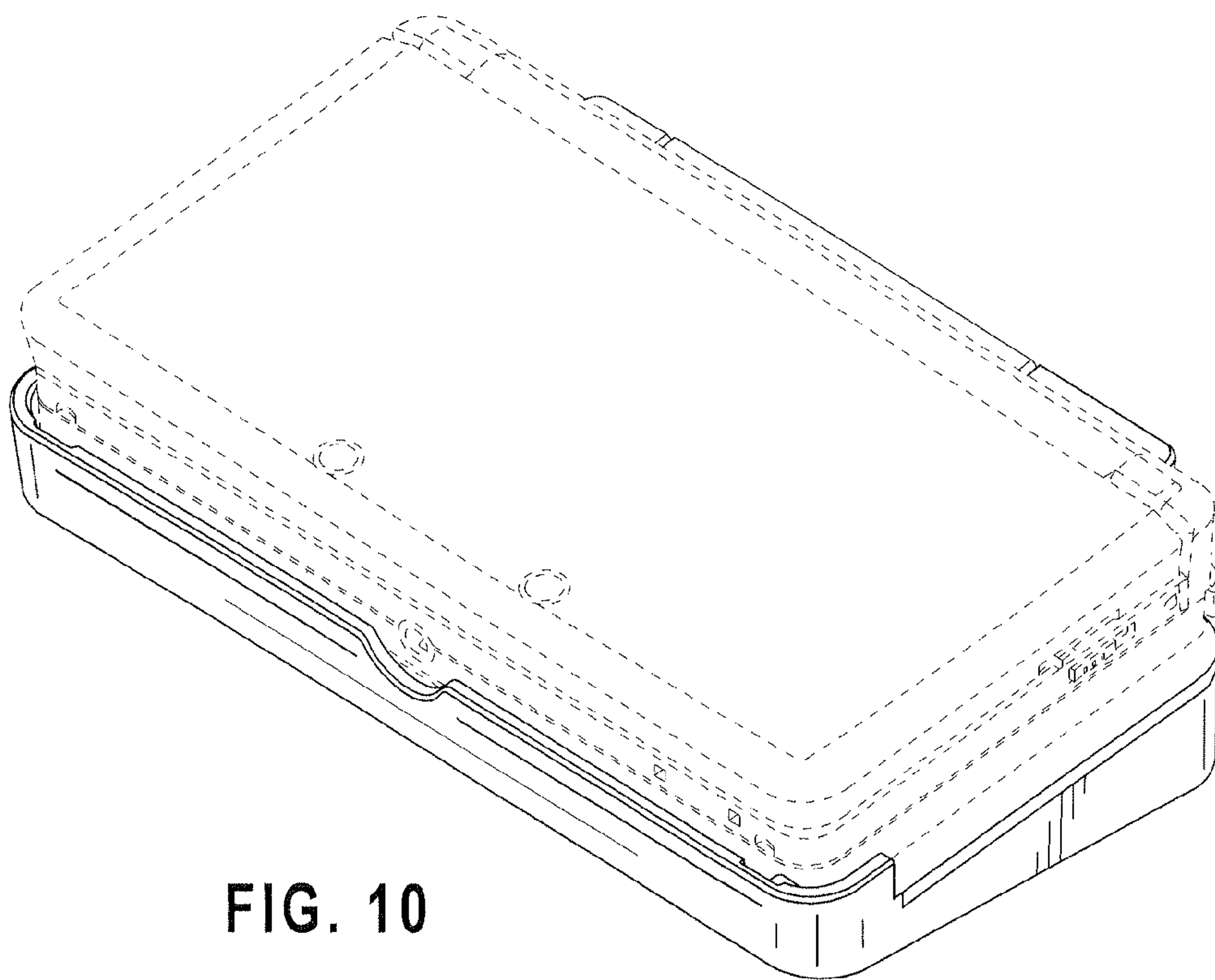


FIG. 10